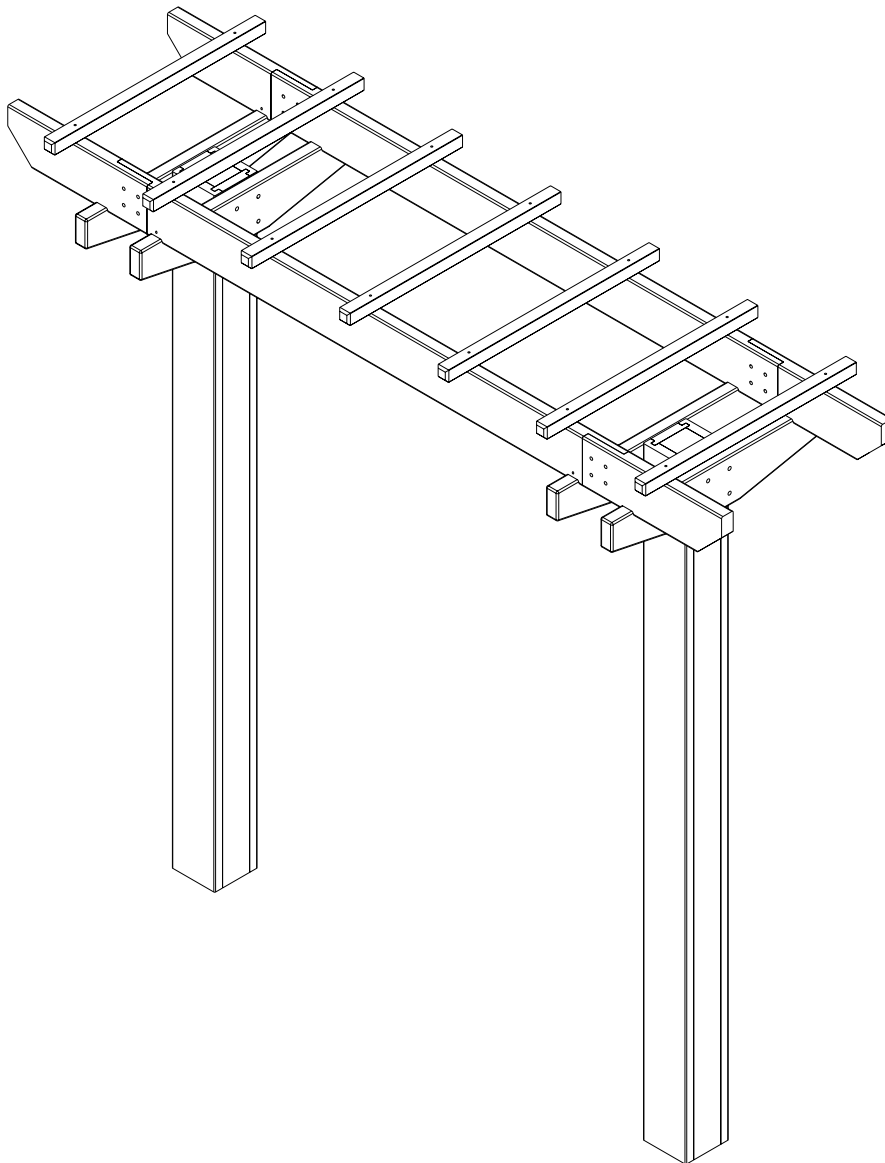


Wildwood Arbor

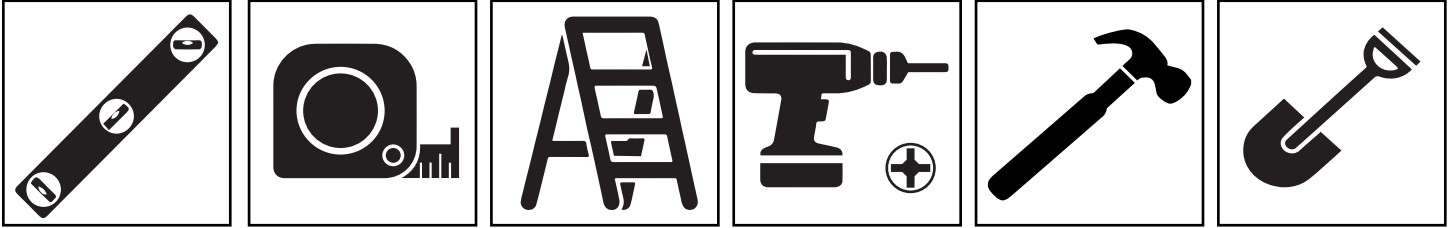
VA68896



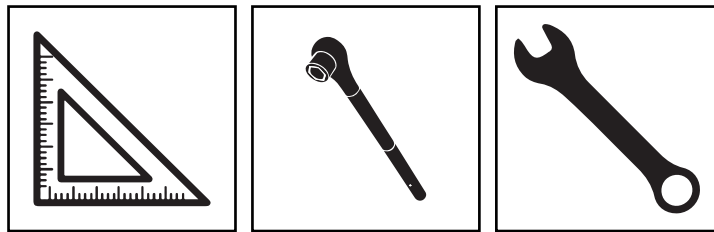
GETTING STARTED

First off, allow us to say thank you for the investment you have made in our fine Arbor. This Arbor is designed to be assembled and installed ideally by two people with basic carpentry knowledge and tools. Do not attempt alone, especially during the installation stage. When assembling components, place on a non-abrasive surface (ie: shipping box) to avoid scratching. We recommend a 15' x 15' area for unobstructed assembling. You should not need to use excessive force when assembling any components.

TOOLS YOU WILL NEED



TOOLS YOU MAY NEED



CAUTION: PLEASE NOTE THAT THERE SHOULD BE NO OTHER MATERIALS OR OBJECTS HUNG ONTO THE CARRYING BEAMS OR BEAMS!

Please take the time to read this instruction guide thoroughly prior to the construction of your arbor. If you have any questions, feel free to contact our technical department by calling
North America: 1 800 282 9346 (Mon. to Fri. 8:00 A.M. to 4:00 P.M. EST).
UK TEL: (44) 2038 687160 - (Mon. to Fri. 1:00 P.M. to 10:00 P.M. GMT).

New England[™]
Arbors

WWW.NEWENGLANDARBORS.COM
WWW.NEWENGLANDARBORS.CO.UK

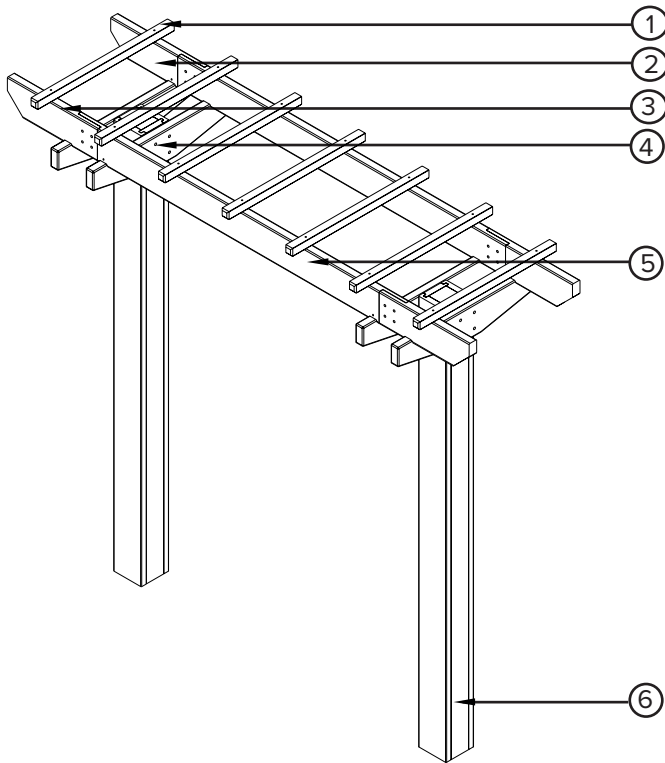
IN THIS GUIDE

MATERIALS OVERVIEW	4
MATERIALS BREAKDOWN	5
ADDITIONAL MATERIALS LIST	6
DISTANCE BETWEEN WOOD POSTS	7
INSTALLING WOOD SUPPORTING POSTS INTO GROUND	8
GUIDE POST OPENING ONTO MOUNTING POST	9
ATTACHING CARRY BEAMS TO POSTS	10
ATTACHING BEAM ENDS TO BEAMS	11
ATTACHING FULLY ASSEMBLED BEAMS TO POSTS	12
ATTACHING FILTERS TO BEAMS	13

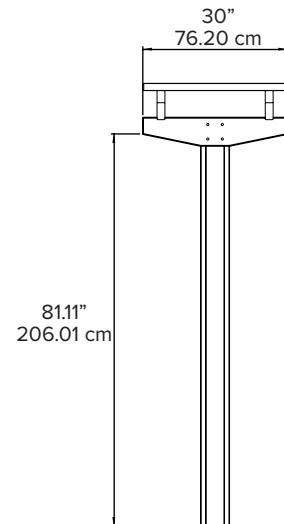
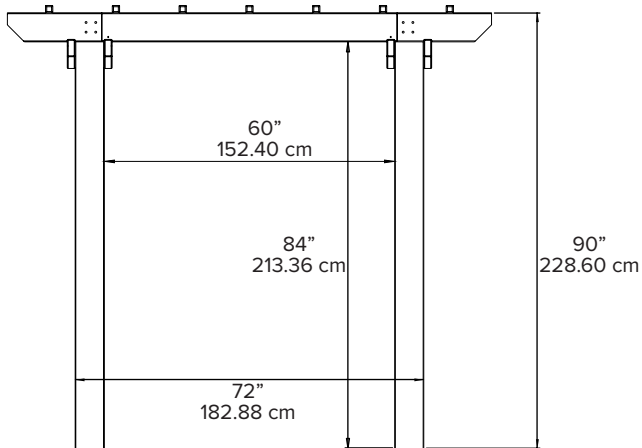
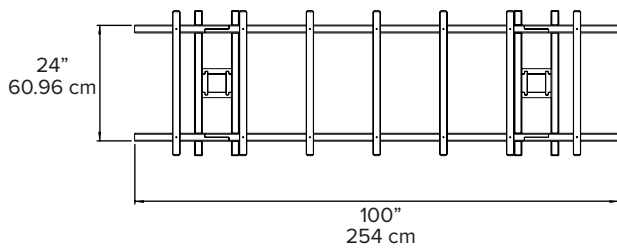
New England[™]
Arbors

WWW.NEWENGLANDARBORS.COM
WWW.NEWENGLANDARBORS.CO.UK

MATERIALS OVERVIEW

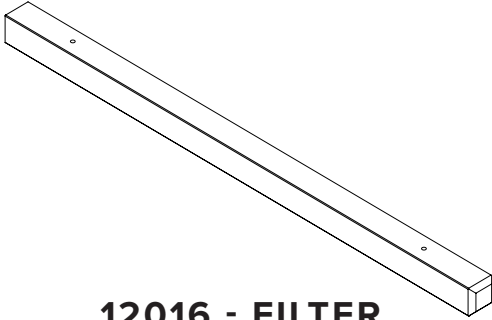


1. **12016 - Filters (x7)**
1 1/2" x 1 1/2" x 30" (3.81cm x 3.81cm x 76.2cm)
2. **12017 - Beam End Left (x2)**
1 1/2" x 6" x 19" (3.81cm x 15.24cm x 48.26cm)
3. **12021 - Beam End Right (x2)**
1 1/2" x 6" x 19" (3.81cm x 15.24cm x 48.26cm)
4. **12018 - Carrying Beam (x4)**
1 1/2" x 6" x 30" (3.81cm x 15.24cm x 76.2cm)
5. **12020 - Beam (x2)**
1 1/2" x 6" x 70" (3.81cm x 15.24cm x 177.8cm)
6. **12019 - Post (x2)**
6" x 6" x 84 1/2" (15.24cm x 15.24cm x 214.63cm)



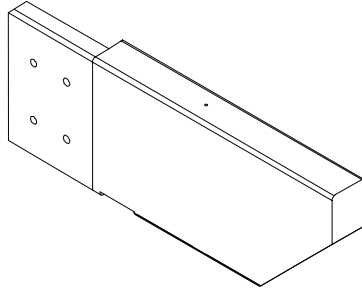
MATERIALS BREAK DOWN

1



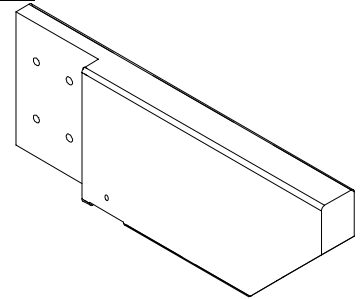
**12016 - FILTER
(X7)**

2



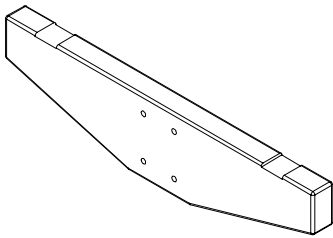
**12017 - BEAM
END LEFT
(X2)**

3



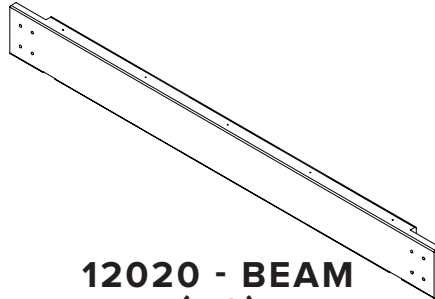
**12021 - BEAM
ENDS RIGHT
(X2)**

4



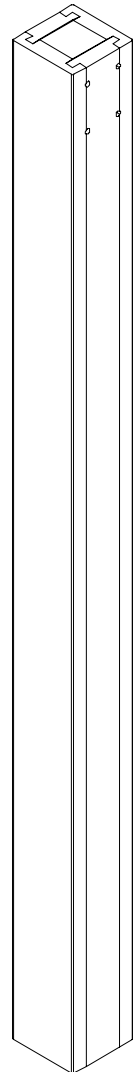
**12018 - CARRYING
BEAM (X4)**

5



**12020 - BEAM
(X2)**

6



**12019 - POST
(X2)**

7



STAIN

8



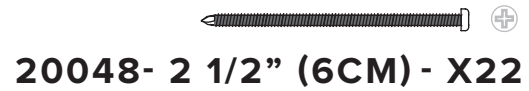
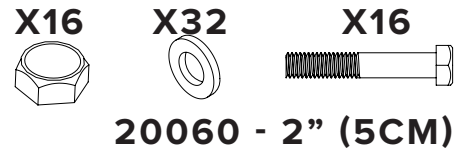
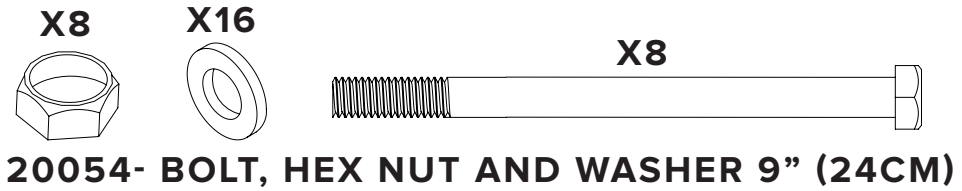
**SLEEVE SOCKET
(X1)**

9



**WRENCH
(X1)**

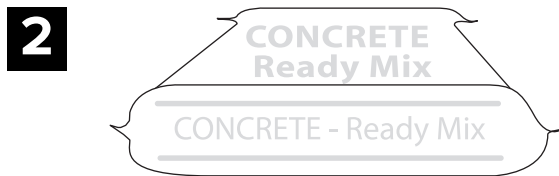
ADDITIONAL MATERIALS LIST



ADDITIONAL MATERIALS TO PURCHASE



4x4x10' (8.9x8.9x304.80cm) Pressure Treated Wood for Posts. Cut down in half, making two 5' posts. Purchase at local building centre. QUANTITY: x1



Concrete Ready Mix. Purchase at your local building centre. QUANTITY: x1

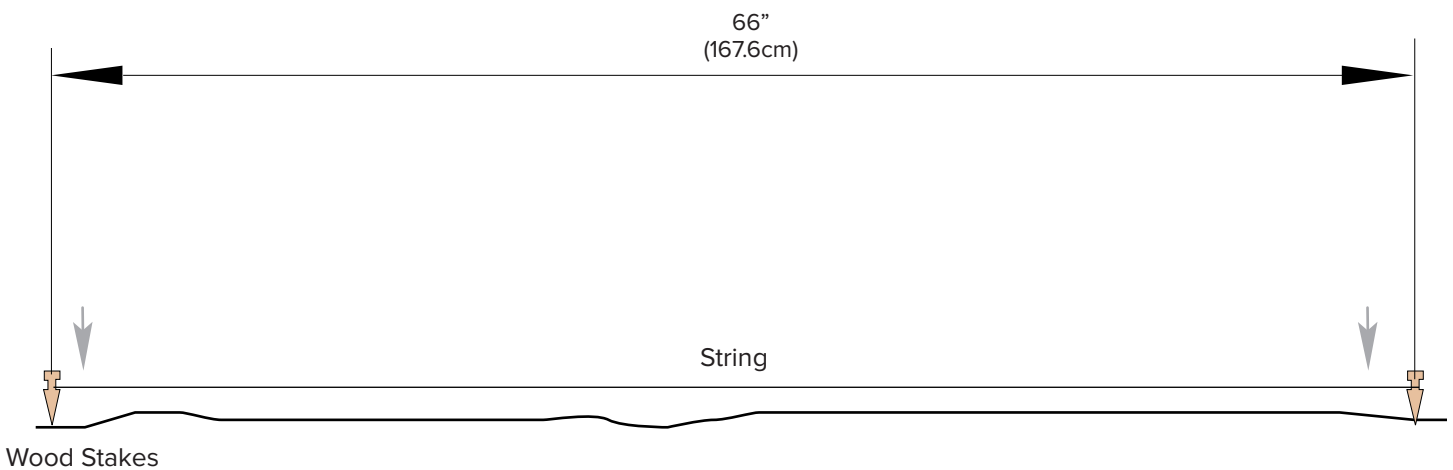
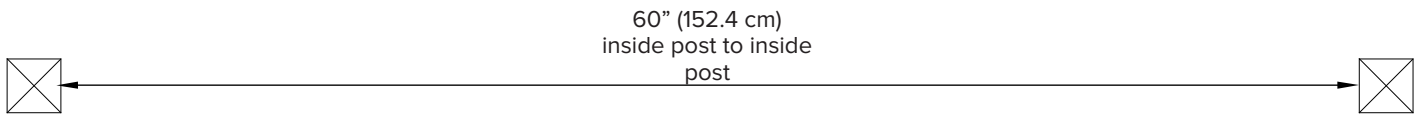
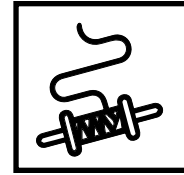
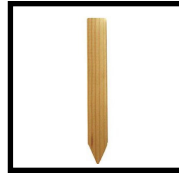


x2 Wood Stakes and x1 small roll of String. Purchase at your local building centre

Step 1

DISTANCE BETWEEN WOOD POSTS

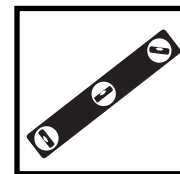
Determine the area you want to start building your arbor. At one end of the desired area, hammer one wooden stake into the ground, tie a piece of string around it and measure to a length of 66" (167.6cm). This is where your second wood stake needs to be hammered into the ground. You have now set up your wood stakes and ready to excavate your holes



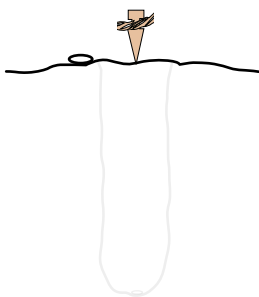
Step 2

INSTALLING WOOD SUPPORTING POSTS INTO GROUND

Post location and placement is the most critical step in the overall installation process. Please double check for the possibility of any underground utilities such as sprinkler, gas or telephone lines. Make sure that your wood posts are straight using a level.

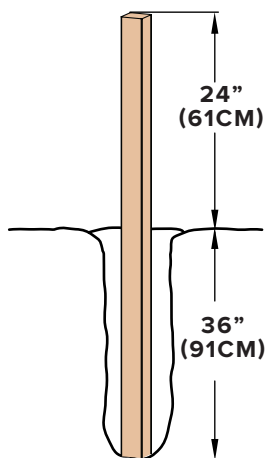


1



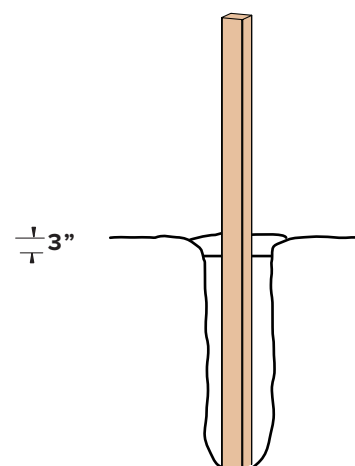
With your wood stakes in position aligned by the string and you have determined the location of where you want your posts to be, excavate 10" (25.4cm) diameter x 36" (91.4cm) deep post holes.

2



After holes are dug and cleaned, place the 4x4 (10cmx10cm) wood post into the hole ensuring it's level and square to string lines. The final post height should be 24" (61cm) out of the ground. If a post is higher because of obstructed excavation of footings, please cut down the height accordingly.

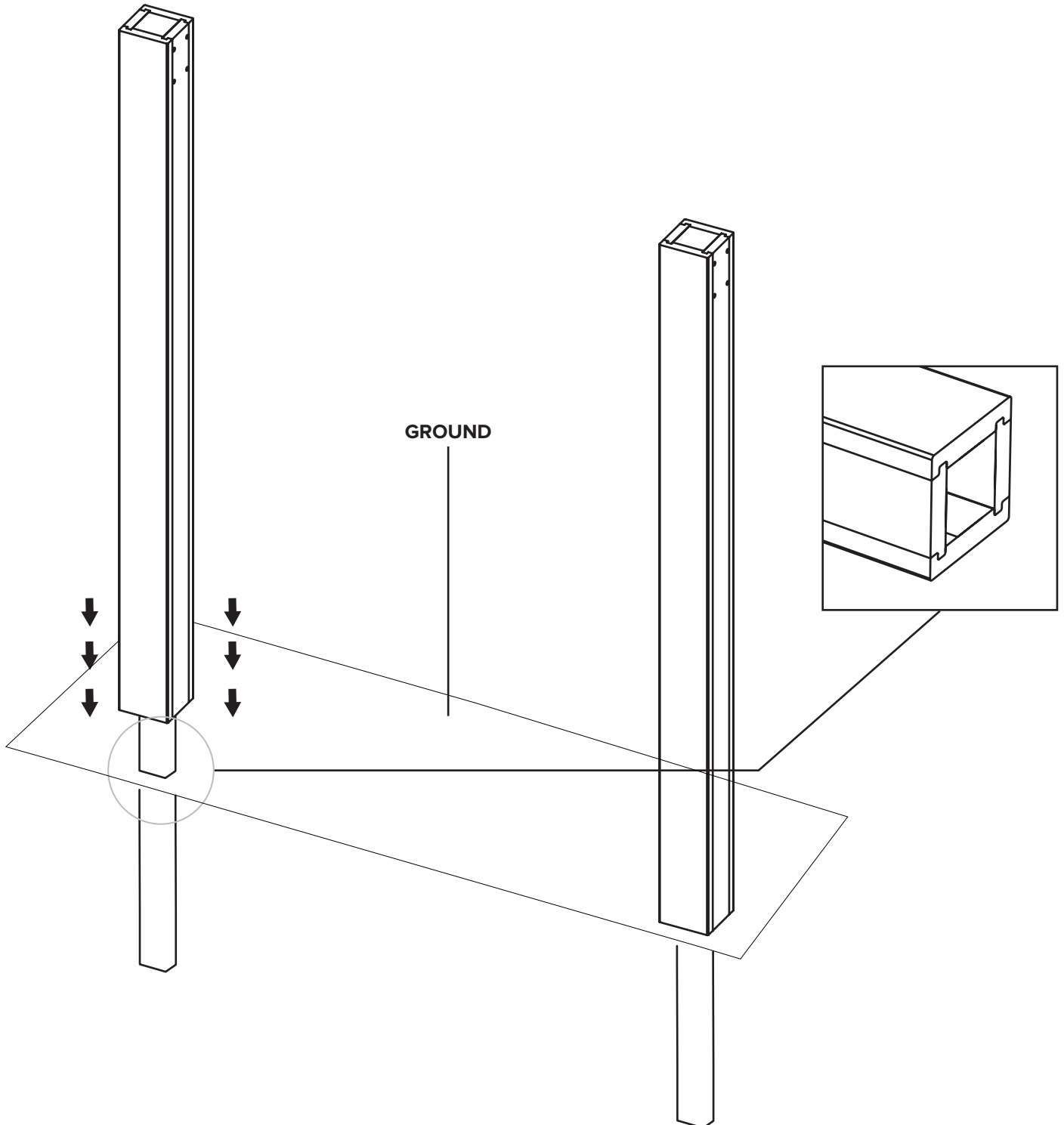
3



Fill the vacant hole with pre-mixed concrete all the way to within 3" (7.6 cm) of the top of the hole. Once concrete has set, backfill and compact the 3" (7.6 cm) space with soil.

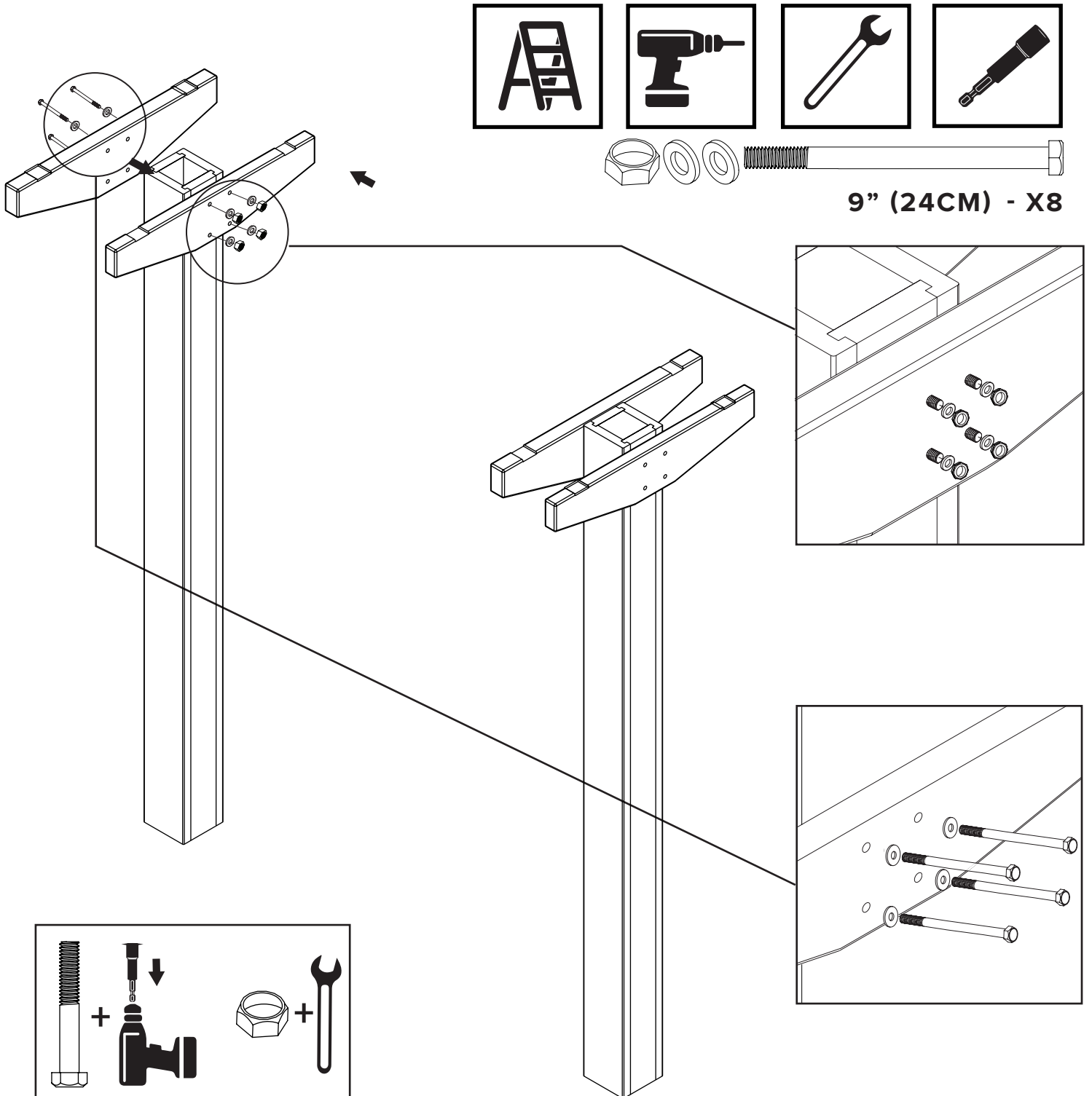
Step 3

GUIDE POST OPENING ONTO MOUNTING POST



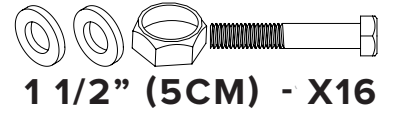
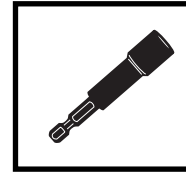
Step 4

ATTACHING CARRY BEAMS TO POSTS

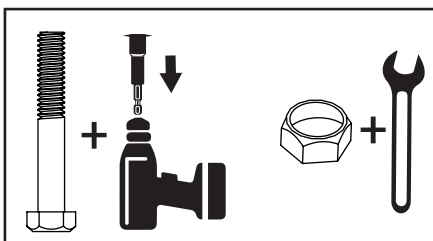
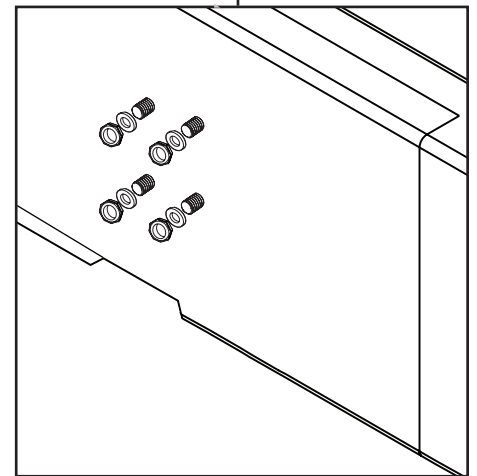
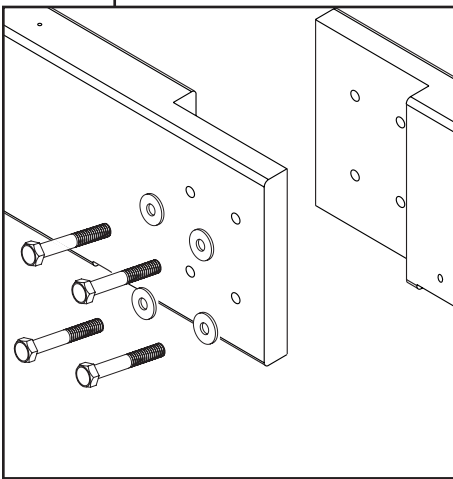
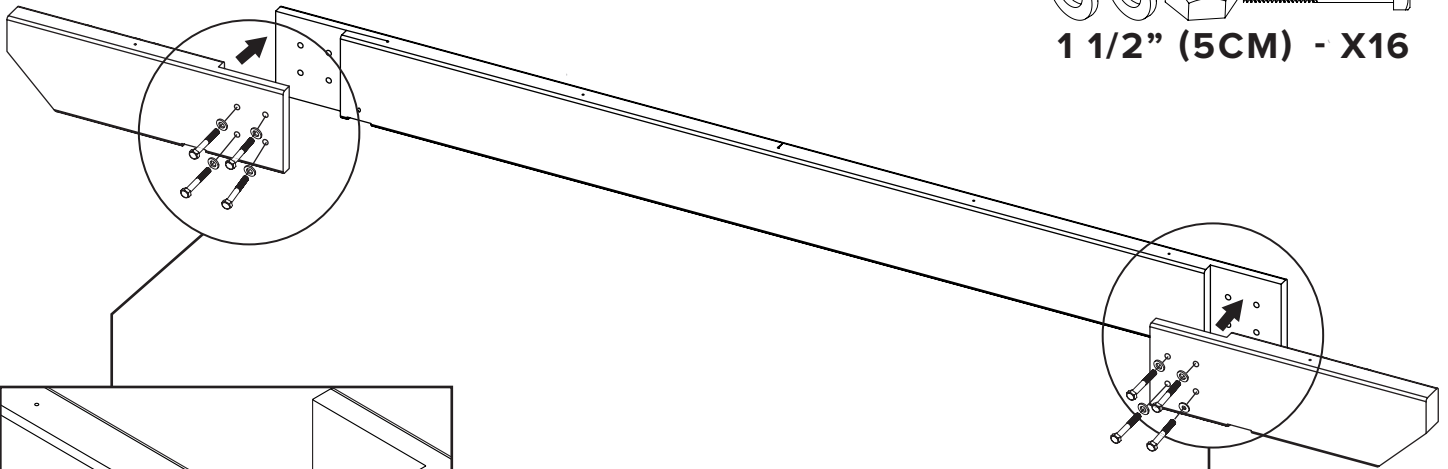


Step 5

ATTACHING BEAM ENDS TO BEAMS



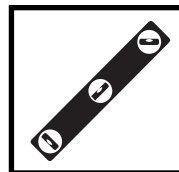
1 1/2" (5CM) - X16



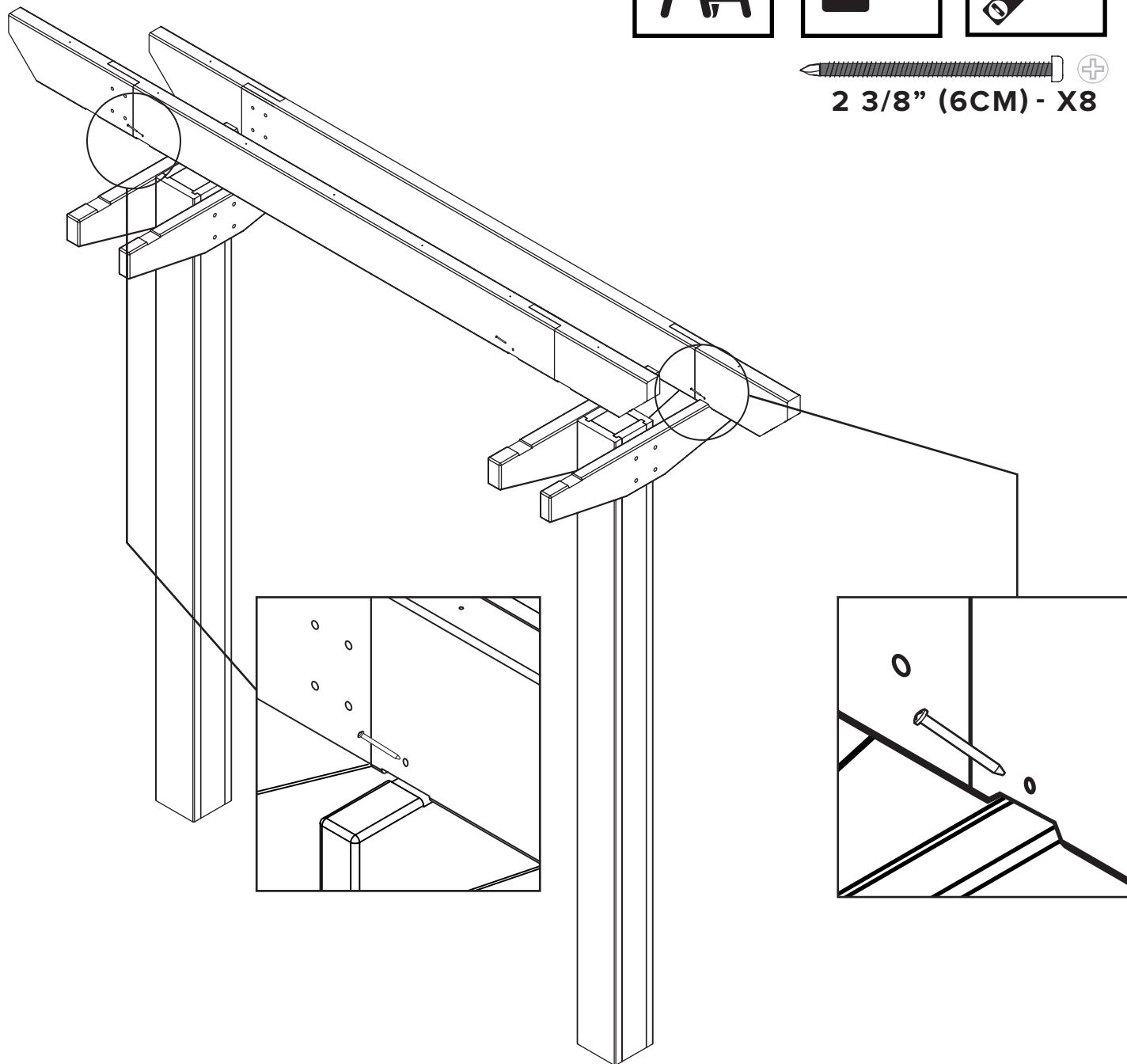
Repeat for second beam once completed.

Step 6

ATTACHING FULLY ASSEMBLED BEAMS TO POSTS

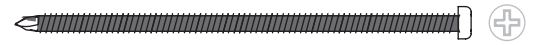
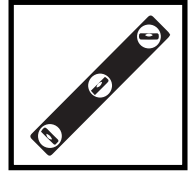


2 3/8" (6CM) - X8

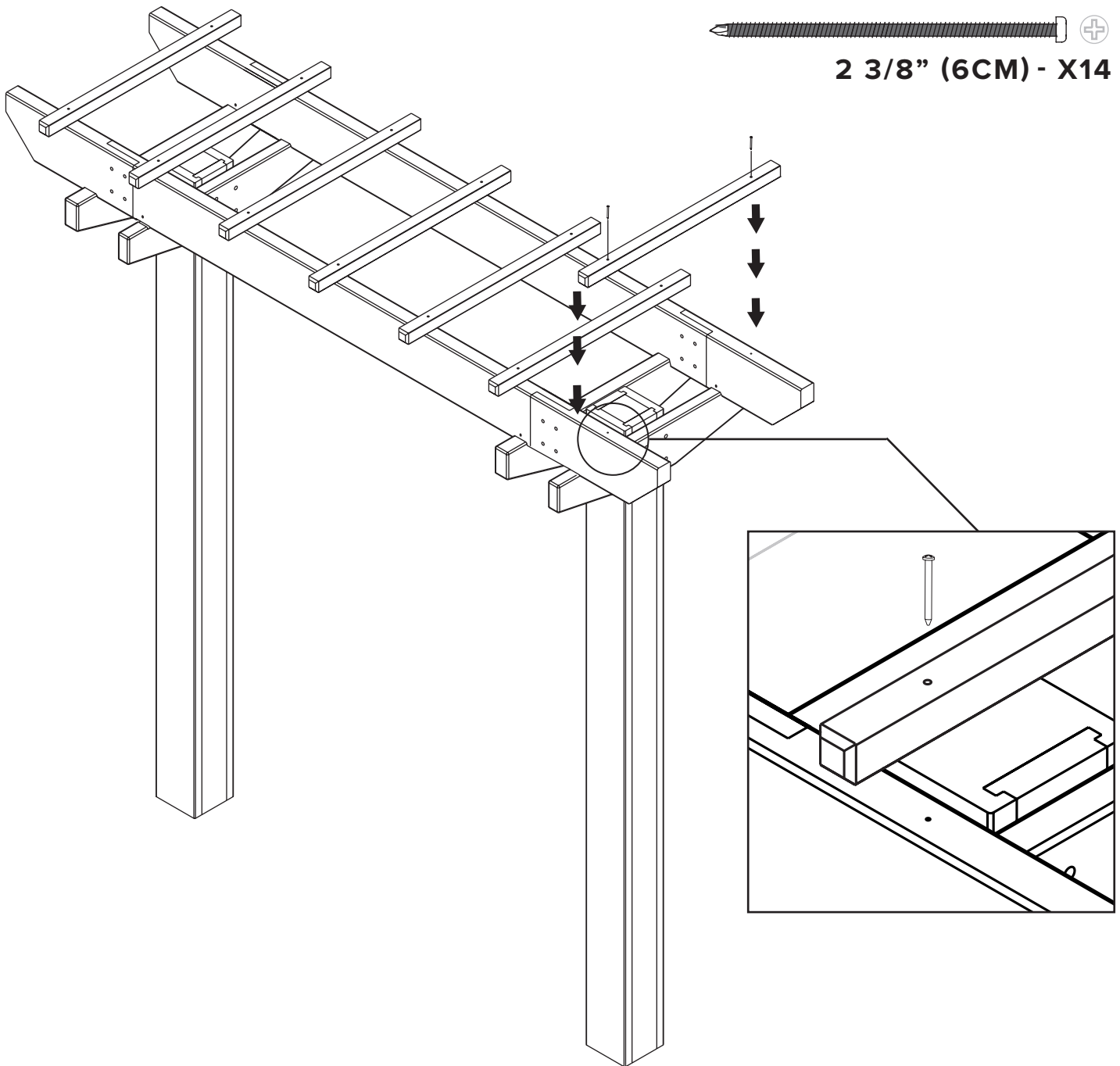


Step 7

ATTACHING FILTERS TO BEAMS



2 3/8" (6CM) - X14



We're here for you.

If you have any questions at all,
don't hesitate to contact us.

NORTH AMERICA TOLL FREE

1-800-282-9346

UNITED KINGDOM

(44) 2038 687160

Visit our website to chat with a support technician.

WWW.NEWENGLANDARBORS.COM
WWW.NEWENGLANDARBORS.CO.UK

New England[™]
·  · **Arbors**