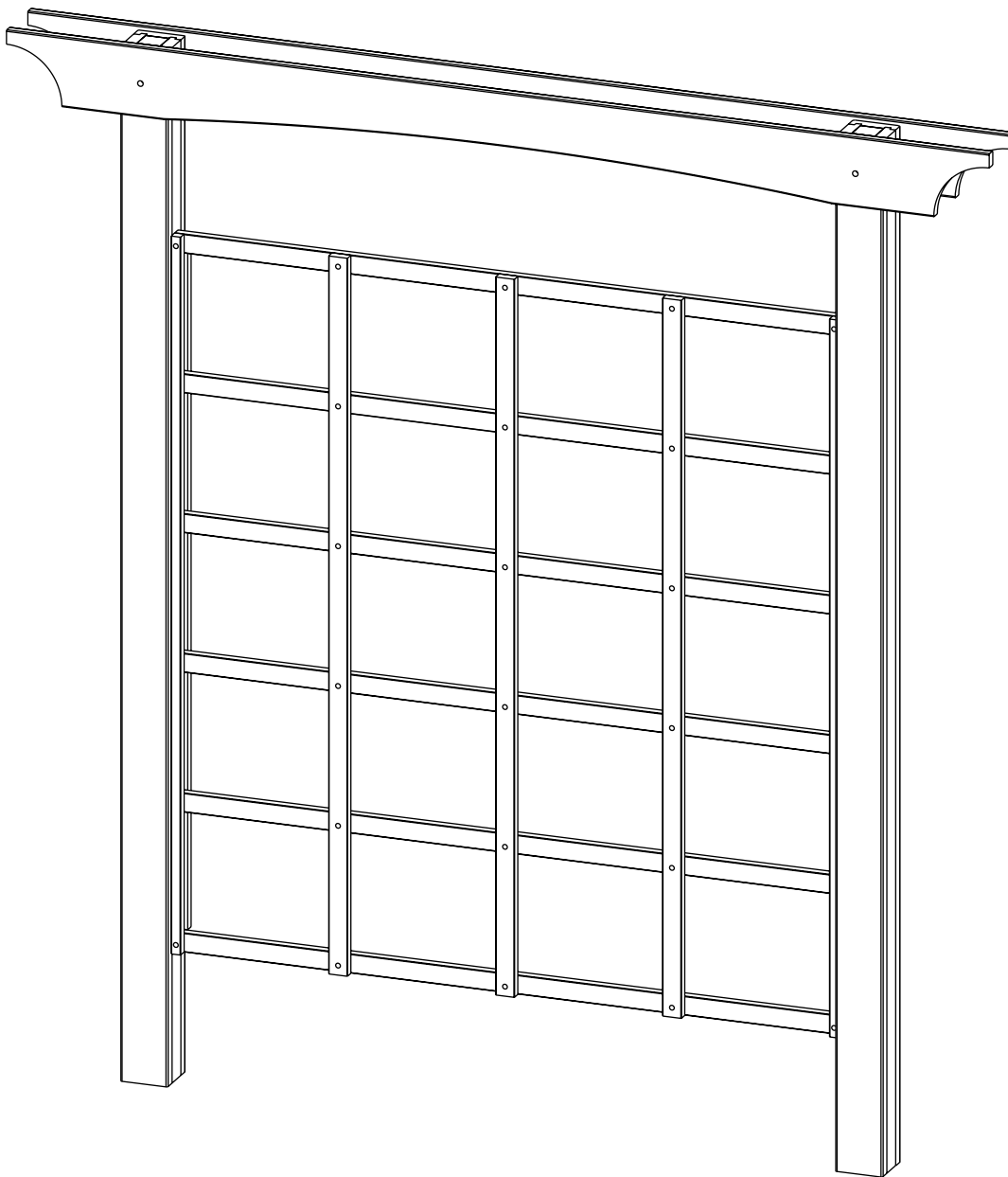




**ASSEMBLY
GUIDE**

Heartwood Trellis

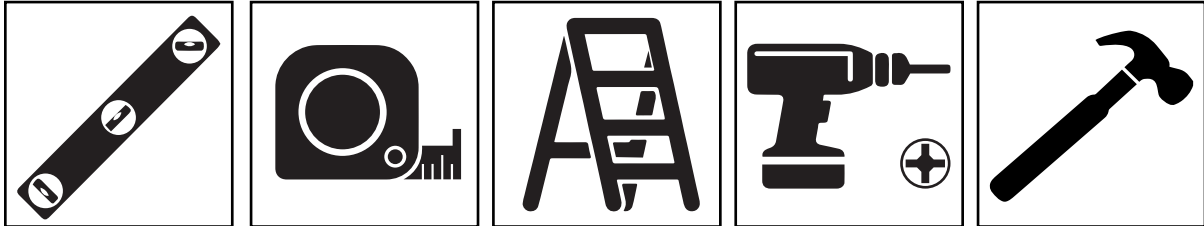
VA68899



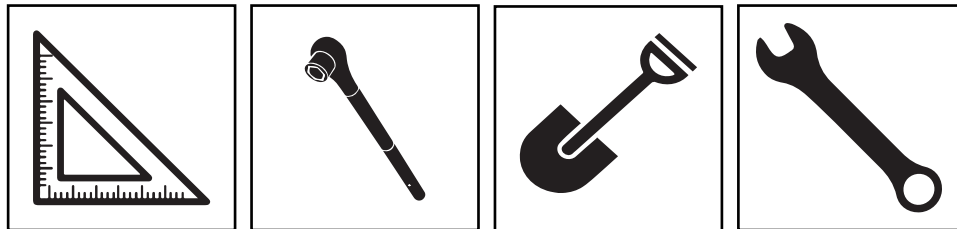
GETTING STARTED

First off, allow us to say thank you for the investment you have made in our fine wood trellis. This wood trellis is designed to be assembled and installed ideally by two people with basic carpentry knowledge and tools. Do not attempt alone, especially during the installation stage. When assembling components, place on a non-abrasive surface (ie: shipping box) to avoid scratching. We recommend a 15' x 15' area for unobstructed assembling. You should not need to use excessive force when assembling any components.

TOOLS YOU WILL NEED



TOOLS YOU MAY NEED



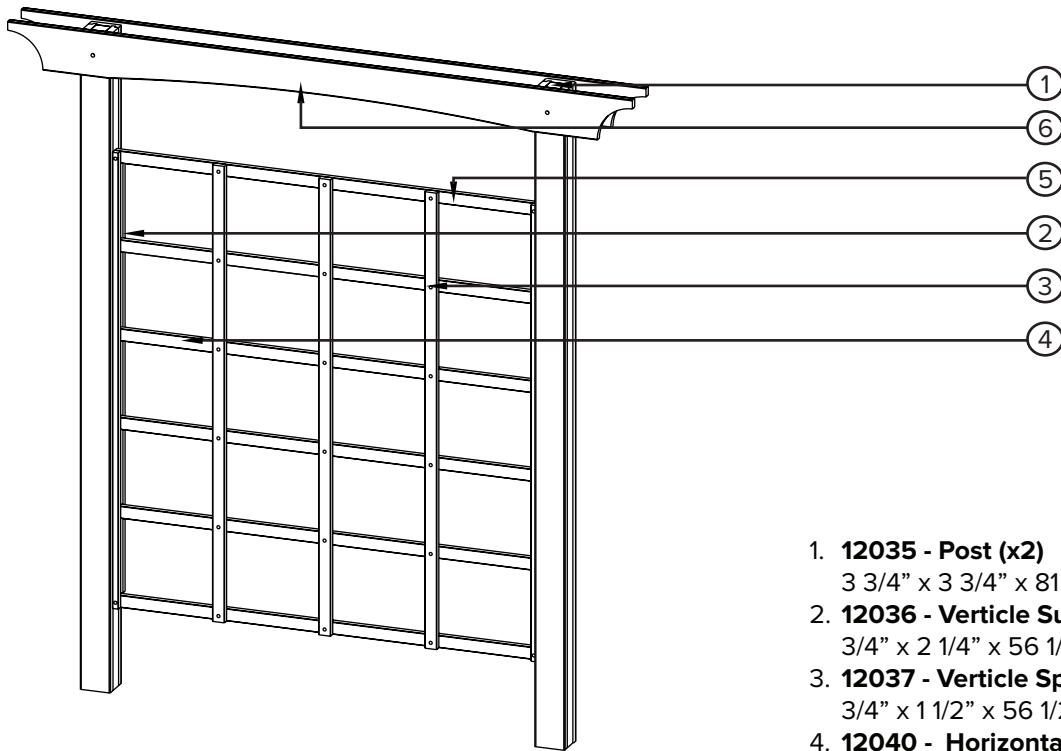
CAUTION: PLEASE NOTE THAT THERE SHOULD BE NO OTHER MATERIALS OR OBJECTS HUNG ONTO BEAMS!

Please take the time to read this instruction guide thoroughly prior to the construction of your wood trellis. If you have any questions, feel free to contact our technical department by calling
North America: 1 800 282 9346 - (Mon. to Fri. 8:00 A.M. to 5:00 P.M. EST).
UK TEL: (44) 2038 687160 - (Mon. to Fri. 1:00 P.M. to 10:00 P.M. GMT).

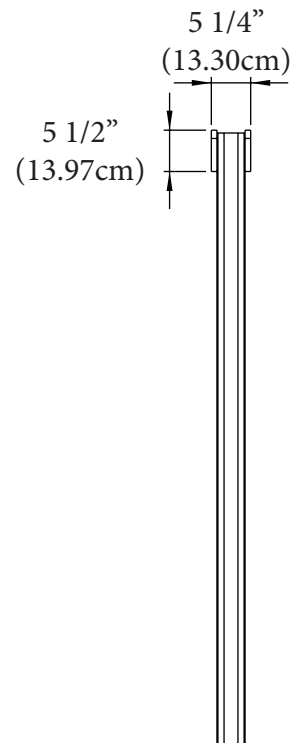
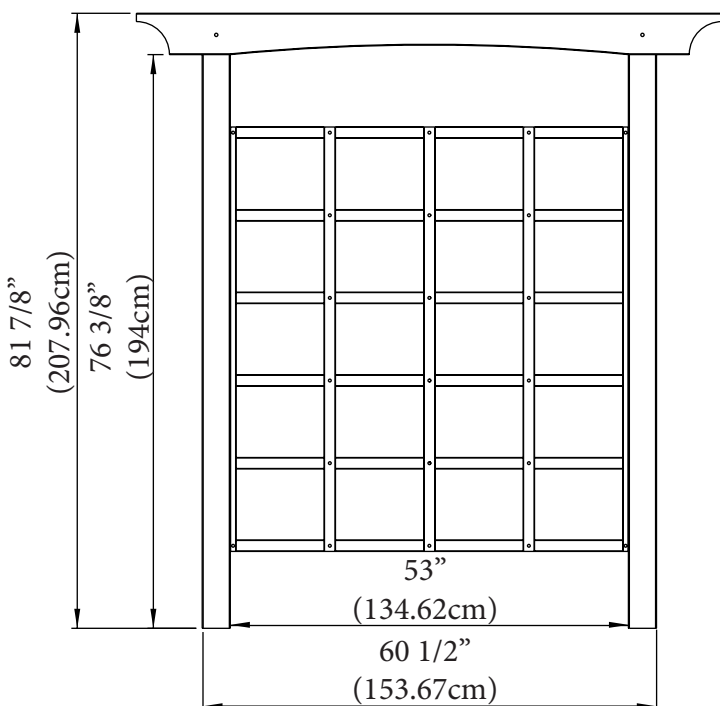
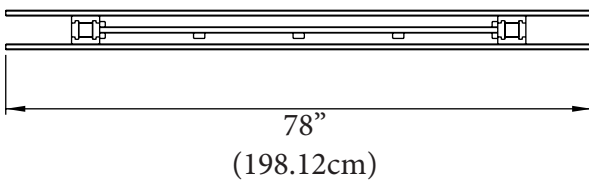
IN THIS GUIDE

MATERIALS OVERVIEW	4
MATERIALS BREAKDOWN	5
ATTACHING VERTICLE SUPPORTS ONTO POSTS	6
SCREW SUPPORT BEAMS HALF WAY ONTO POSTS	7
SCREW TOP RAIL FULLY INTO PLACE	8
SLIDE ALL HORIZONTAL SPINDLES UP VERTICLE SUPPORTS	9
SCREW BOTTOM RAIL FULLY INTO PLACE	10
ATTACH THREE VERTICLE SPINDLES TO THE TOP AND BOTTOM RAILS	11
ALIGN HOLES ON HORIZONTAL SPINDLES WITH VERTICLE SPINDLES AND SCREW INTO PLACE	12
INSTALLING MOUNTING POSTS INTO GROUND (A)	13
INSTALLING MOUNTING POSTS INTO GROUND (B)	14
GUIDE TRELIS ONTO MOUNTING POSTS	15

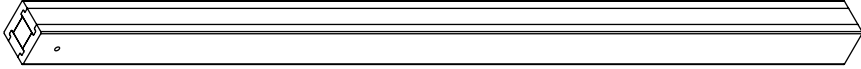
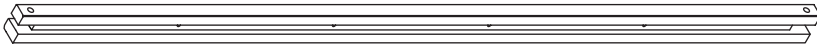
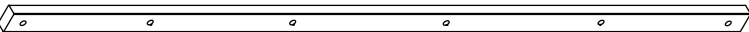
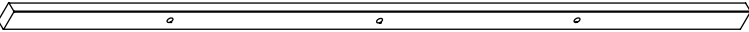
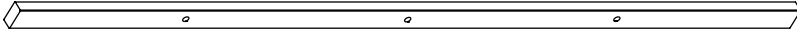
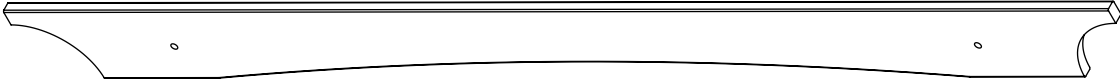
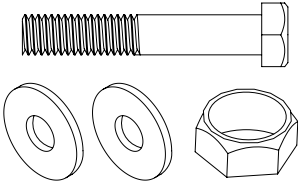



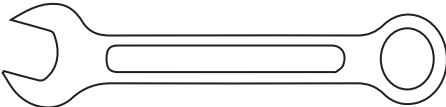
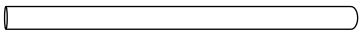
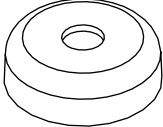
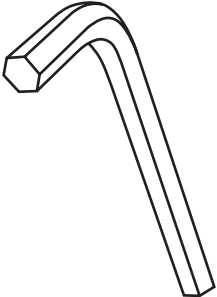
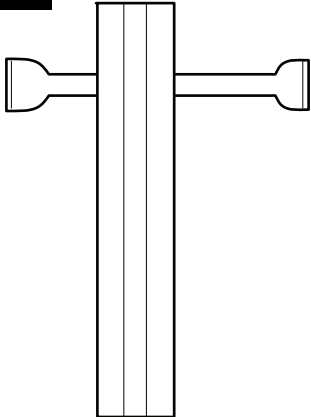
MATERIALS OVERVIEW



1. **12035 - Post (x2)**
3 3/4" x 3 3/4" x 81 1/2" (9.50cm x 9.50cm x 207.01cm)
2. **12036 - Vertical Support (x2)**
3/4" x 2 1/4" x 56 1/2" (1.90cm x 5.70cm x 143.50cm)
3. **12037 - Vertical Spindle (x3)**
3/4" x 1 1/2" x 56 1/2" (1.90cm x 3.80cm x 143.50cm)
4. **12040 - Horizontal Spindle (x4)**
3/4" x 1 1/2" x 52 1/4" (1.90cm x 3.81cm x 132.62cm)
5. **12041 - Top And Bottom Support (x2)**
3/4" x 1 1/2" x 53" (1.90cm x 3.81cm x 134.62cm)
6. **12038 - Beam (x2)**
3/4" x 5 1/2" x 78" (1.90cm x 13.97cm x 198.12cm)



MATERIALS BREAK DOWN

- 1** 
12035 - POST
(X2)
- 2** 
12036 - VERTICLE
SUPPORT
(X2)
- 3** 
12037 -
VERTICLE SPINDLE
(X3)
- 4** 
12040 -
HORIZONTAL SPINDLE
(X4)
- 5** 
12041 -
TOP AND BOTTOM
SUPPORT
(X2)
- 6** 
12038 - BEAM
(X2)
- 7** 
20057 - BOLT 6"
(15CM) (X2)
FLAT WASHER (X4)
NUT (X2)
- 8** 
20037 - SCREW A
1 1/4" (3.18CM) (X12)
- 9** 
20058 - JOINT
CONNECTOR BOLT AND
NUT (X18) 1" (3CM)
- 10** 
20063 - SCREW B
1 3/4" (4.5CM) (X4)
- 11** 
WRENCH
(X1)
- 12** 
17078 - MOUNTING
POST
(X2)
- 13** 
80022 - POUND
CAP(X2)
- 14** 
ALLEN KEY (X2)
- 15** 
SOCKET DRIVE
(X1)

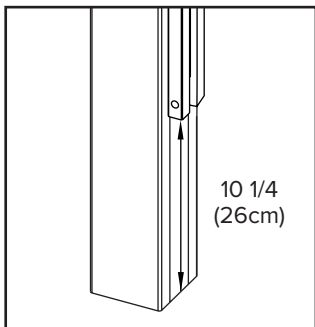
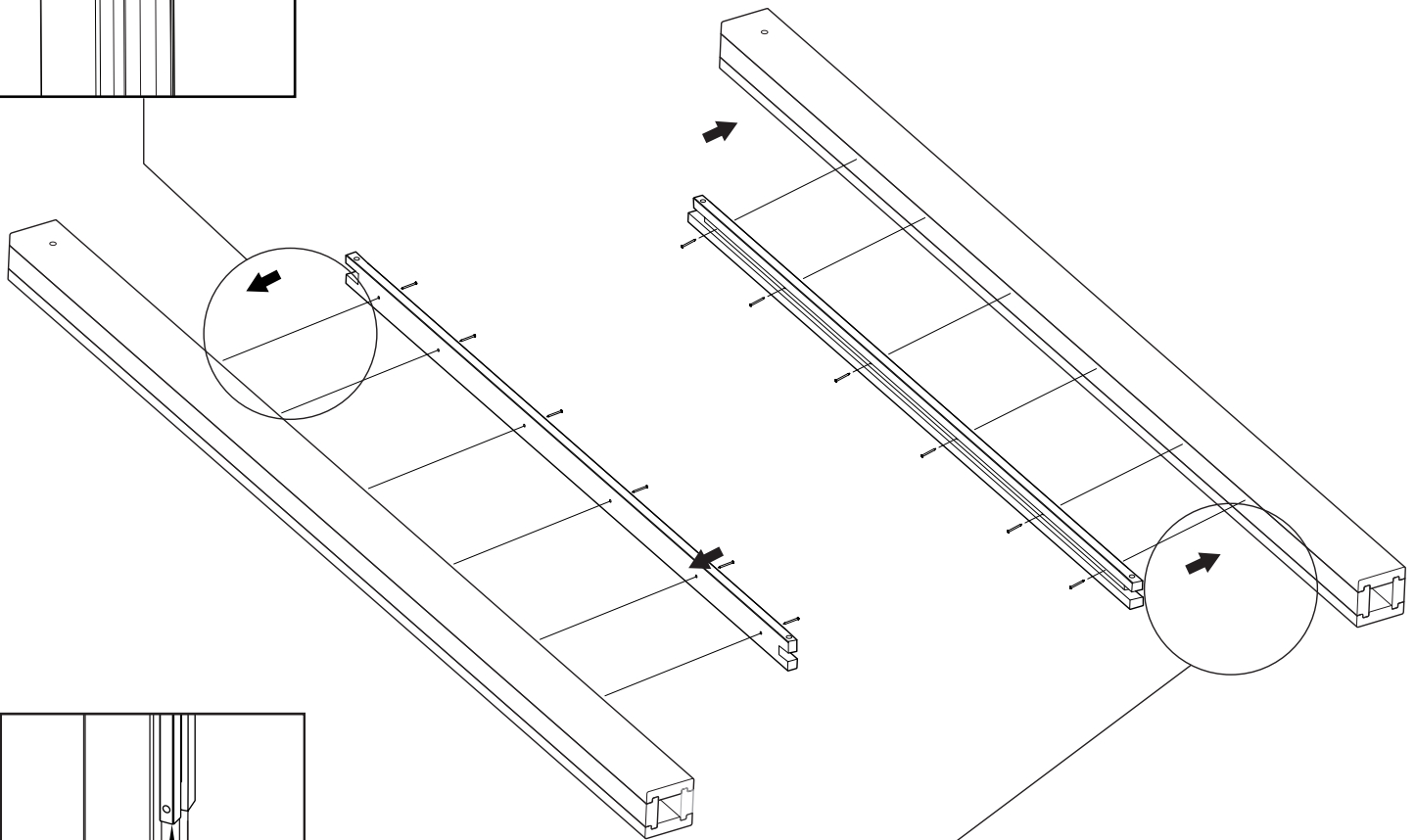
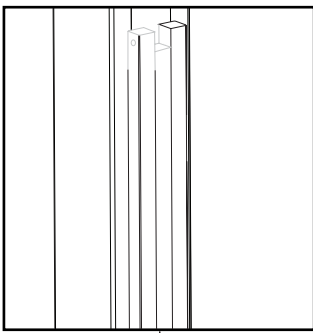
Step 1

ATTACHING VERTICLE SUPPORTS TO CENTRE OF POSTS

When installing the verticle supports, make sure the front of each verticle support is facing each other!

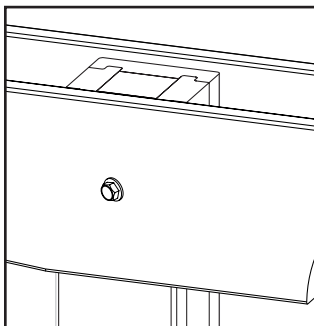
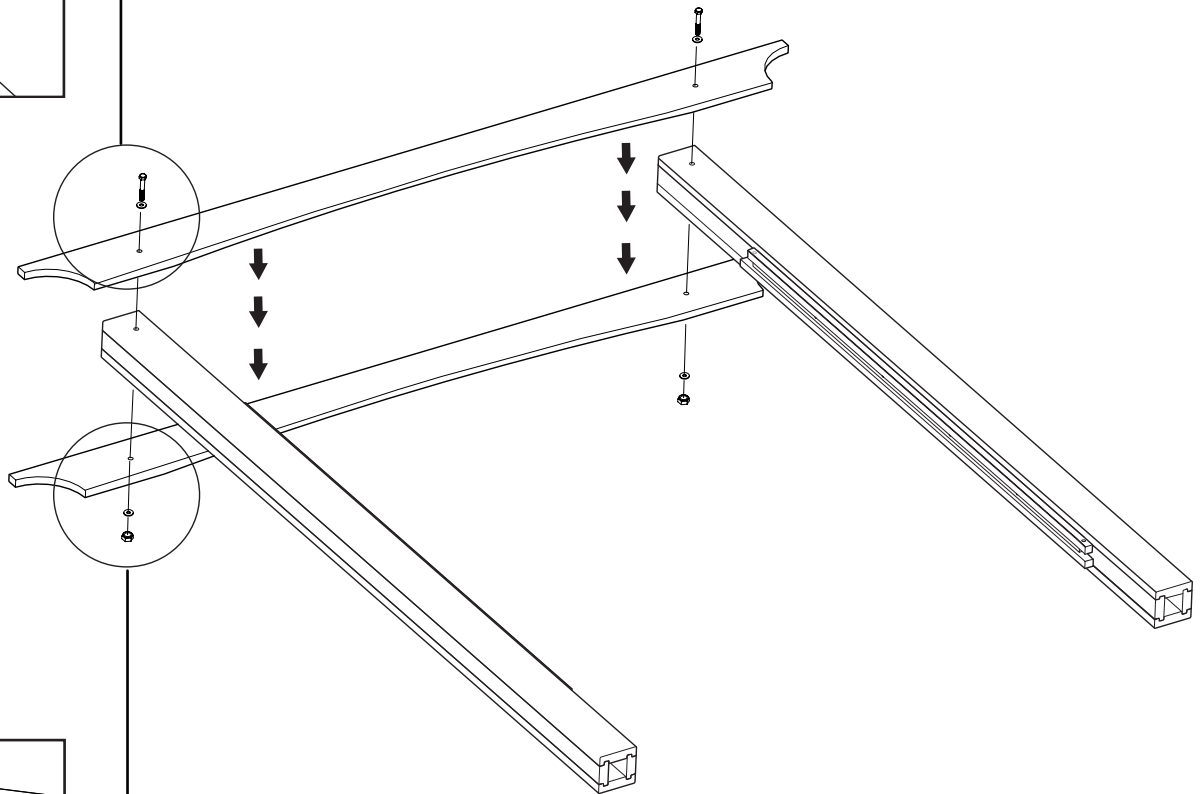
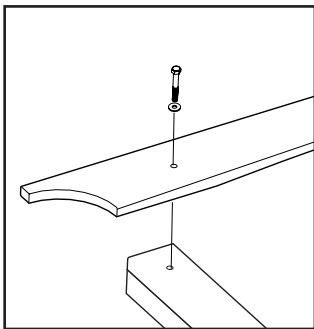
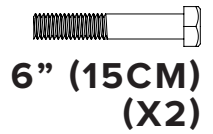
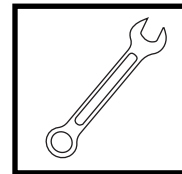
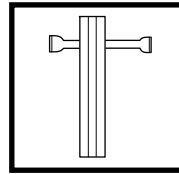


 **1 1/4" (3.18CM) - X12**



Step 2

SCREW SUPPORT BEAMS HALF WAY ONTO POST

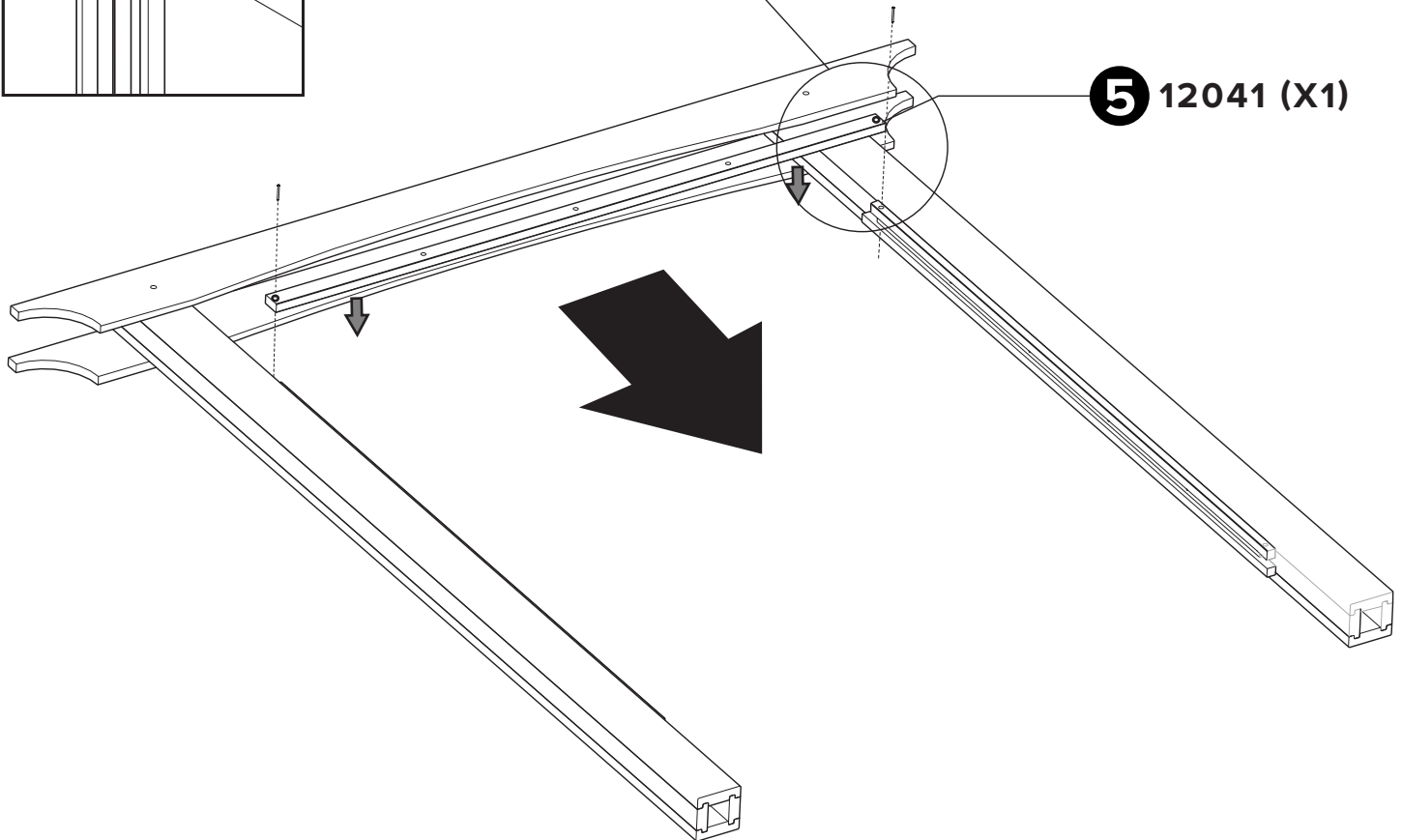
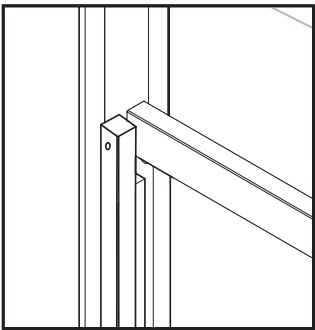


Step 3

SCREW TOP RAIL FULLY INTO PLACE



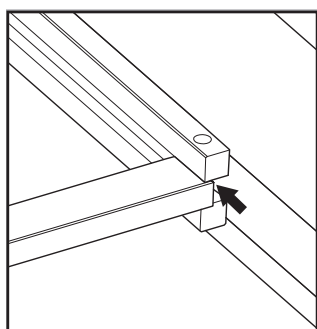
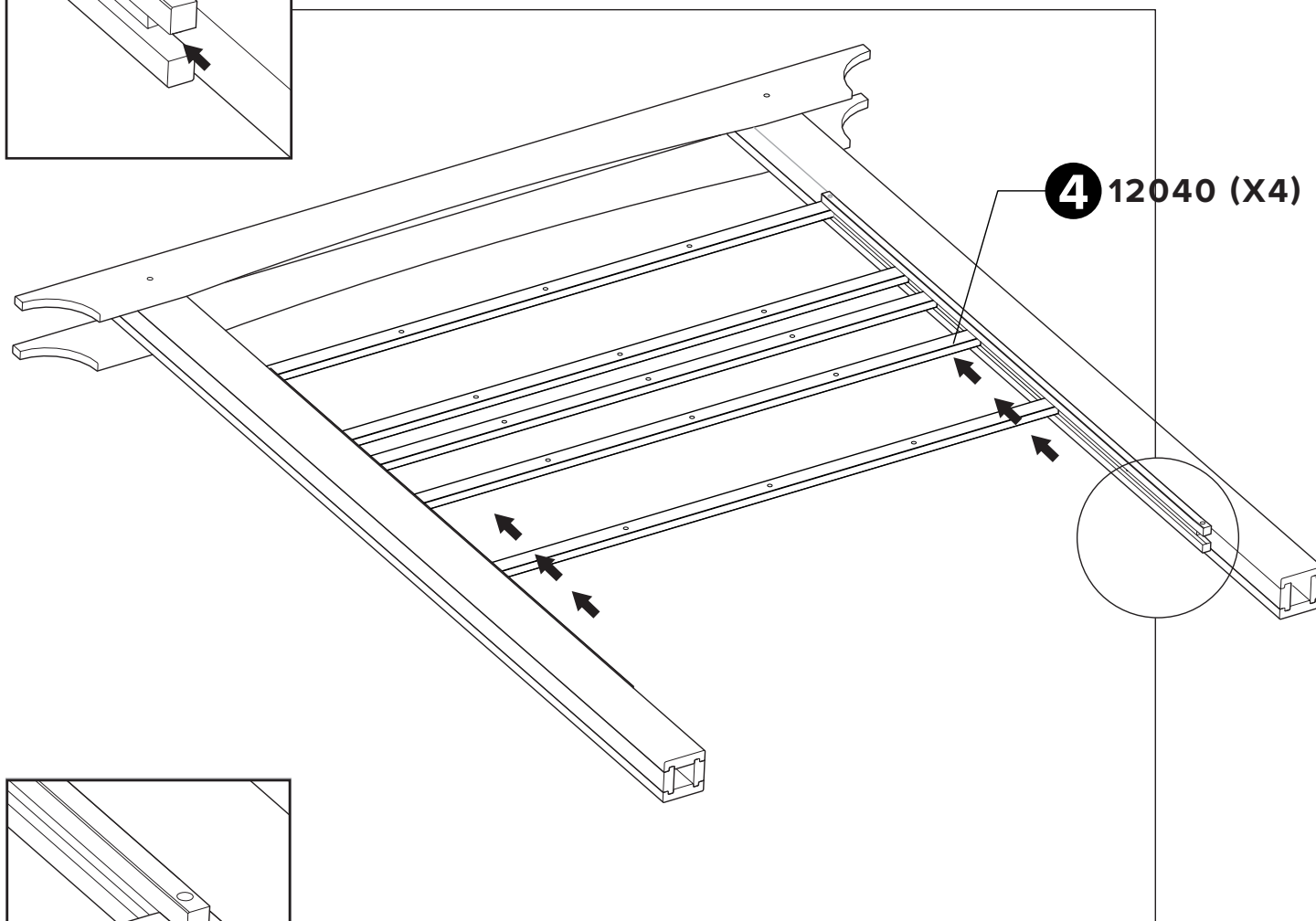
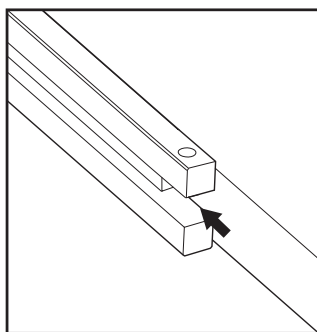
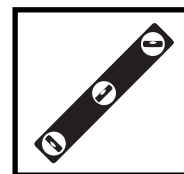
1 3/4" (4.5CM) (X2)



Step 4

SLIDE ALL HORIZONTAL SPINDLES UP VERTICAL SUPPORTS

Your spindles will be loose, dont worry. They will be screwed in place in a later step!

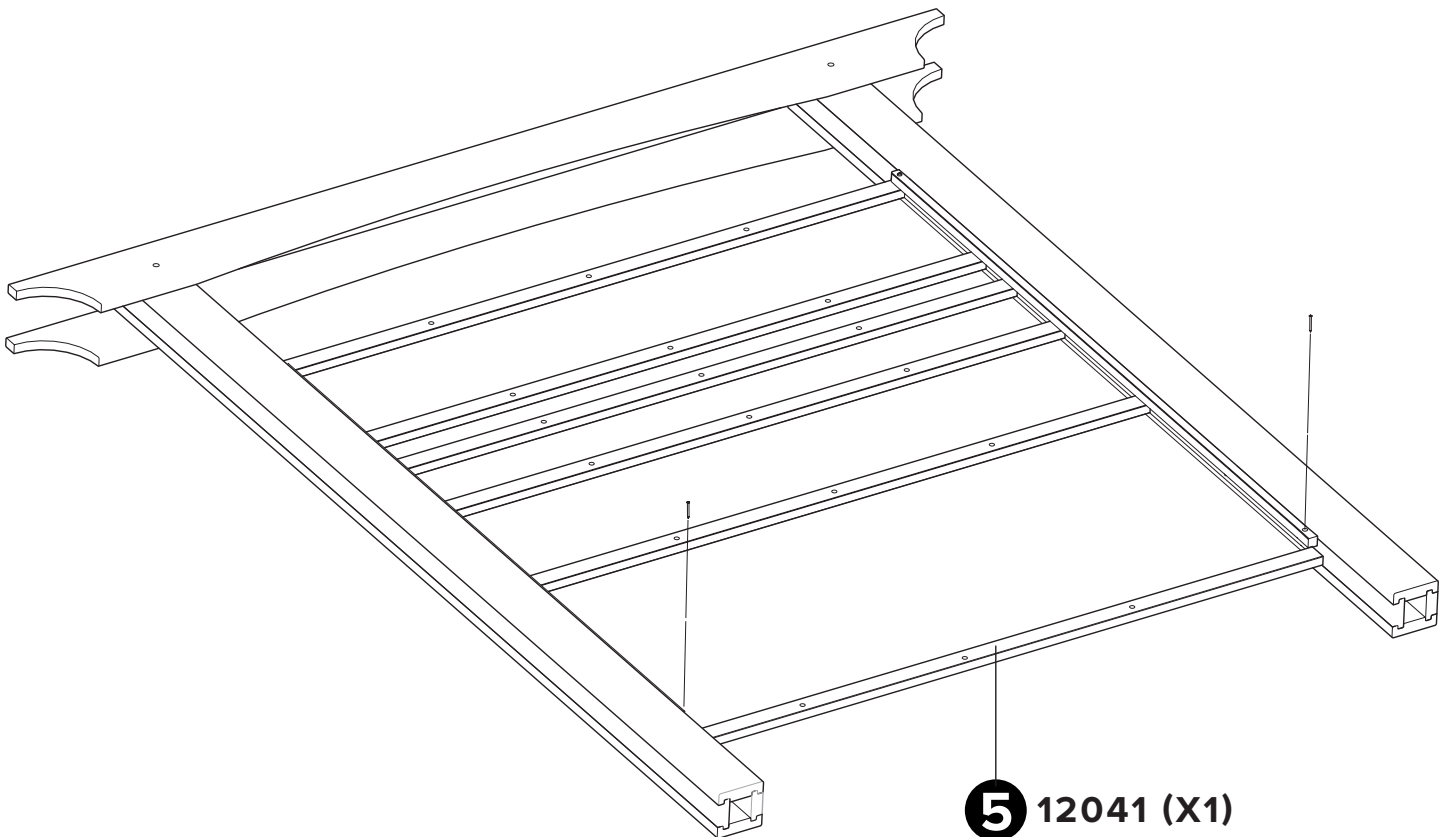


Step 5

SCREW BOTTOM RAIL FULLY INTO PLACE

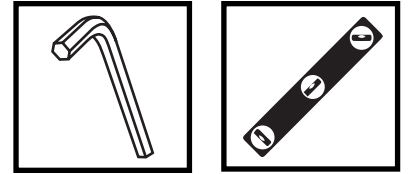


1 3/4" (4.5CM) (X2)

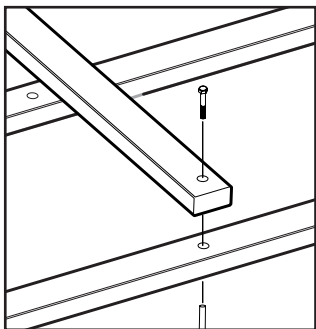
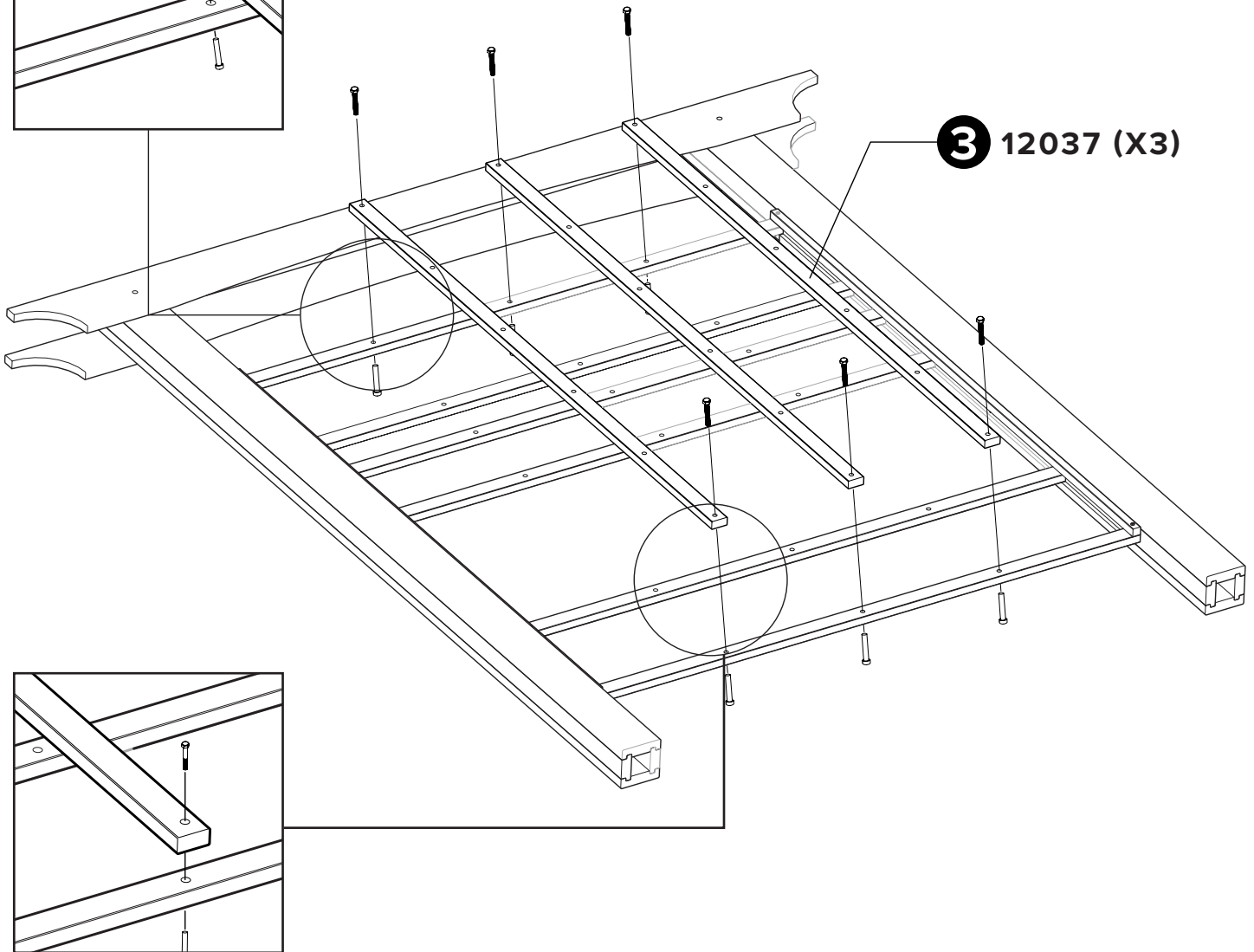
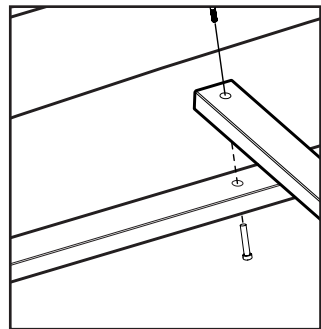


Step 6

ATTACH THREE VERTICAL SPINDLES TO THE TOP AND BOTTOM RAILS



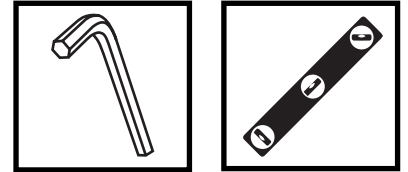
1" (3CM) X6



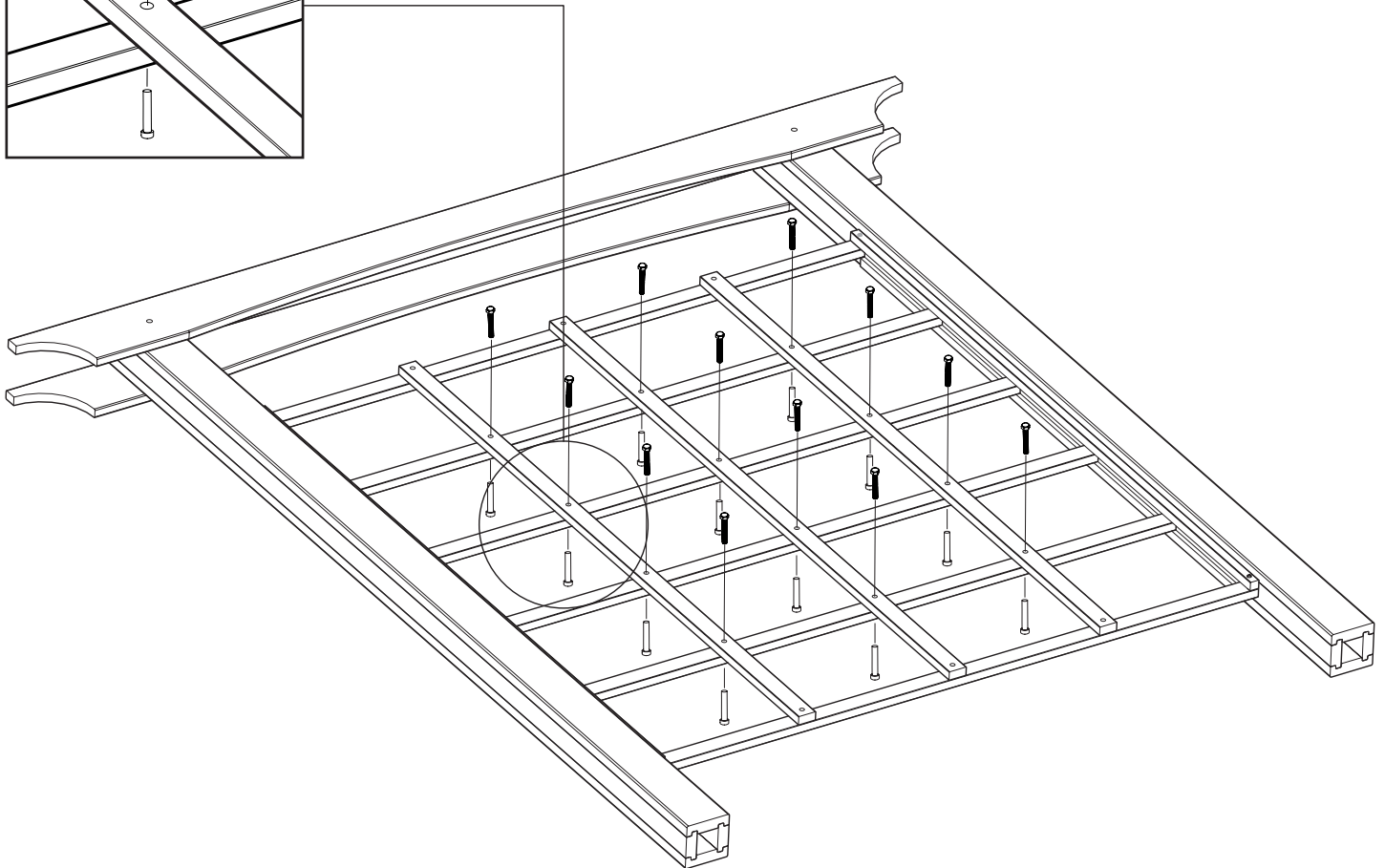
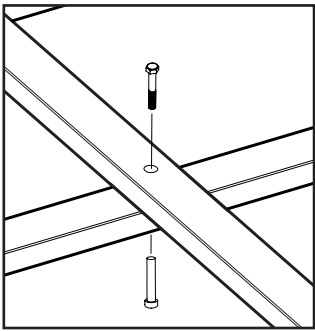
Step 7

ALIGN HOLES ON HORIZONTAL SPINDLES WITH VERTICLE SPINDLES

You may stand the trellis up for this step



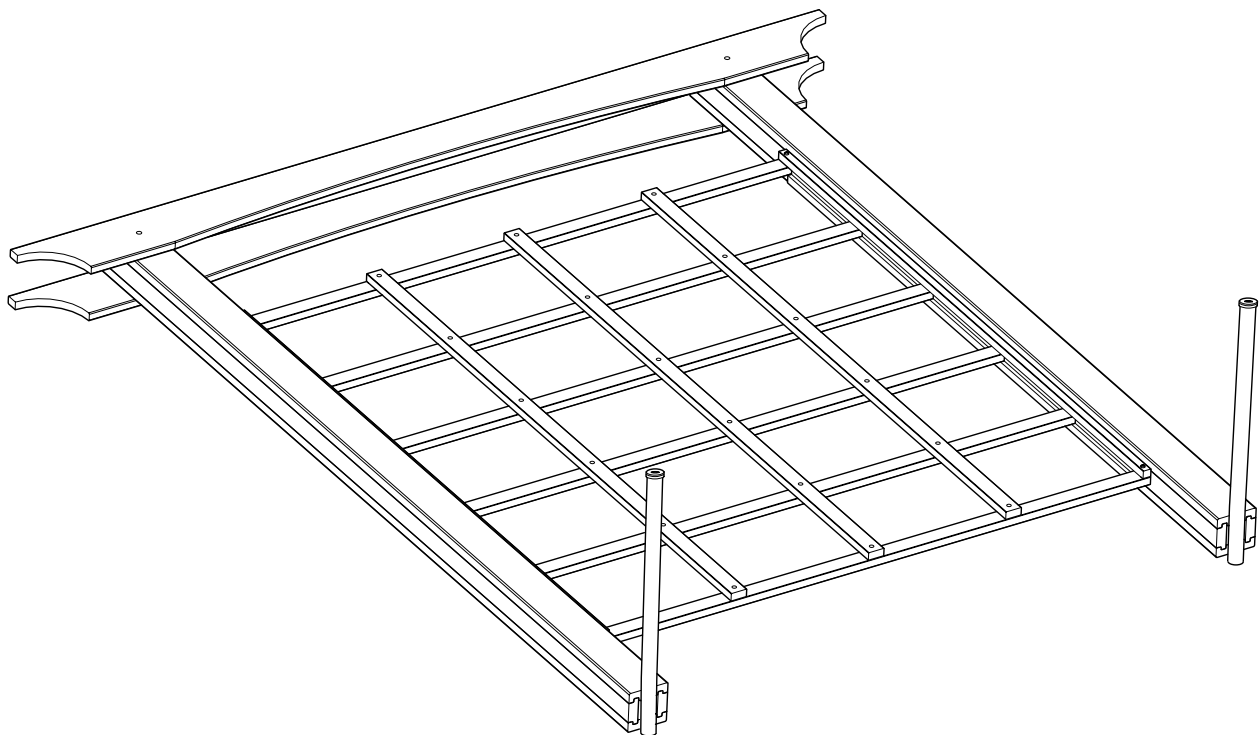
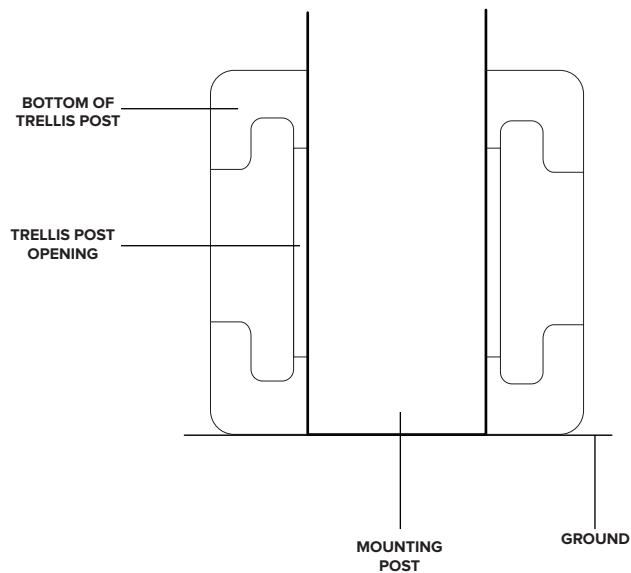
1" (3CM) X12



Step 8A

INSTALLING MOUNTING POSTS INTO GROUND

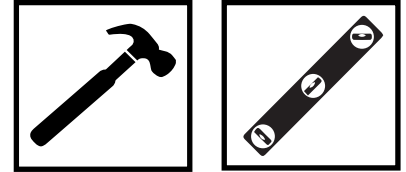
With your trellis fully assembled and laying flat on the ground. Put each of your mounting posts at the end of each trellis post, positioned in the middle. This is crucial that you installing your trellis on flat ground and both mounting posts are equally in the middle of each post.



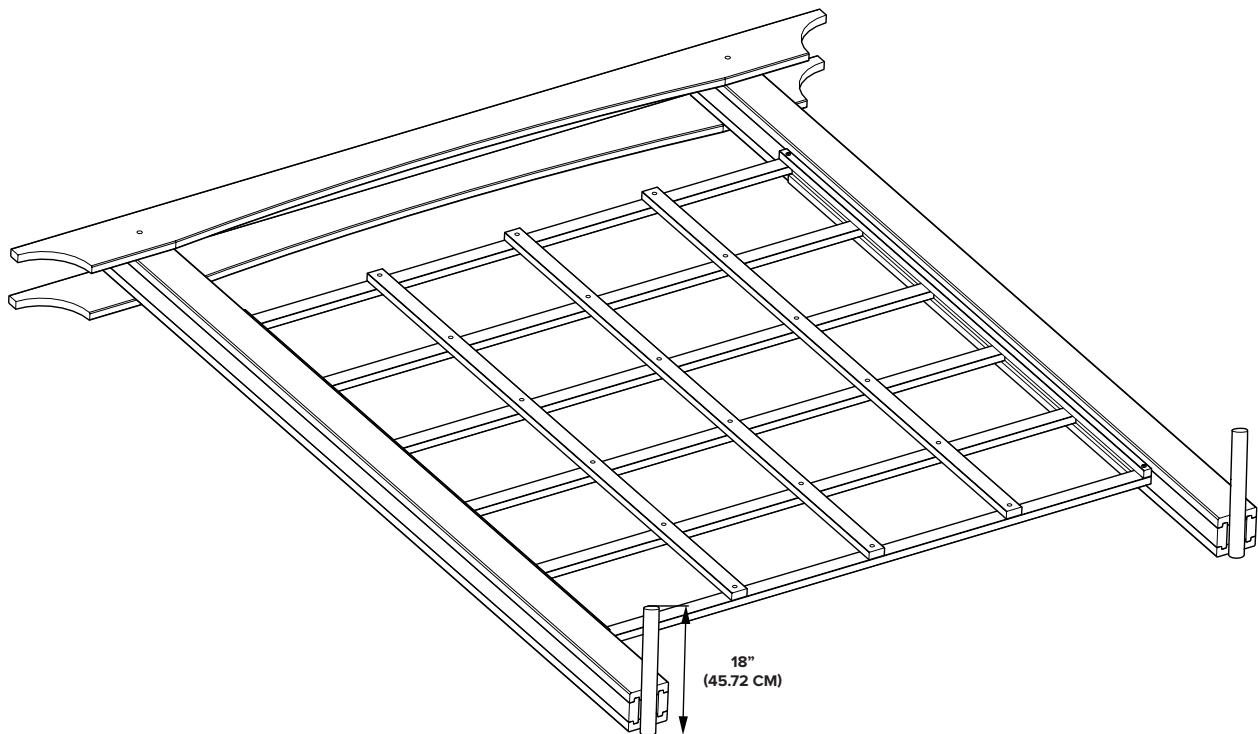
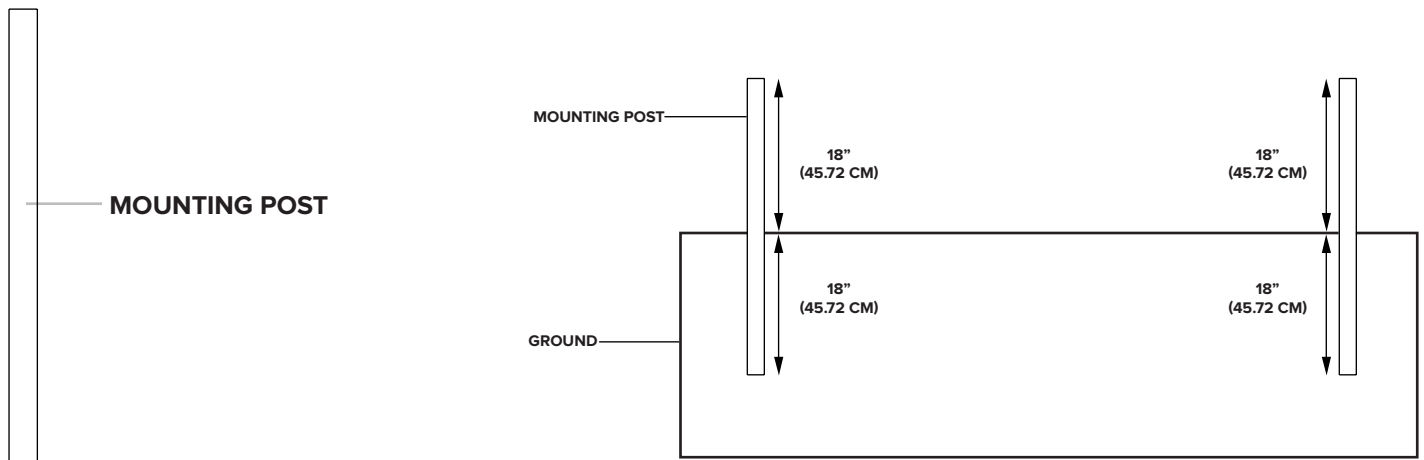
Step 8B

INSTALLING MOUNTING POSTS INTO GROUND

When in position with your pound caps on the posts, hammer each post 18" (45.72cm) into the ground. Remove your pound caps.



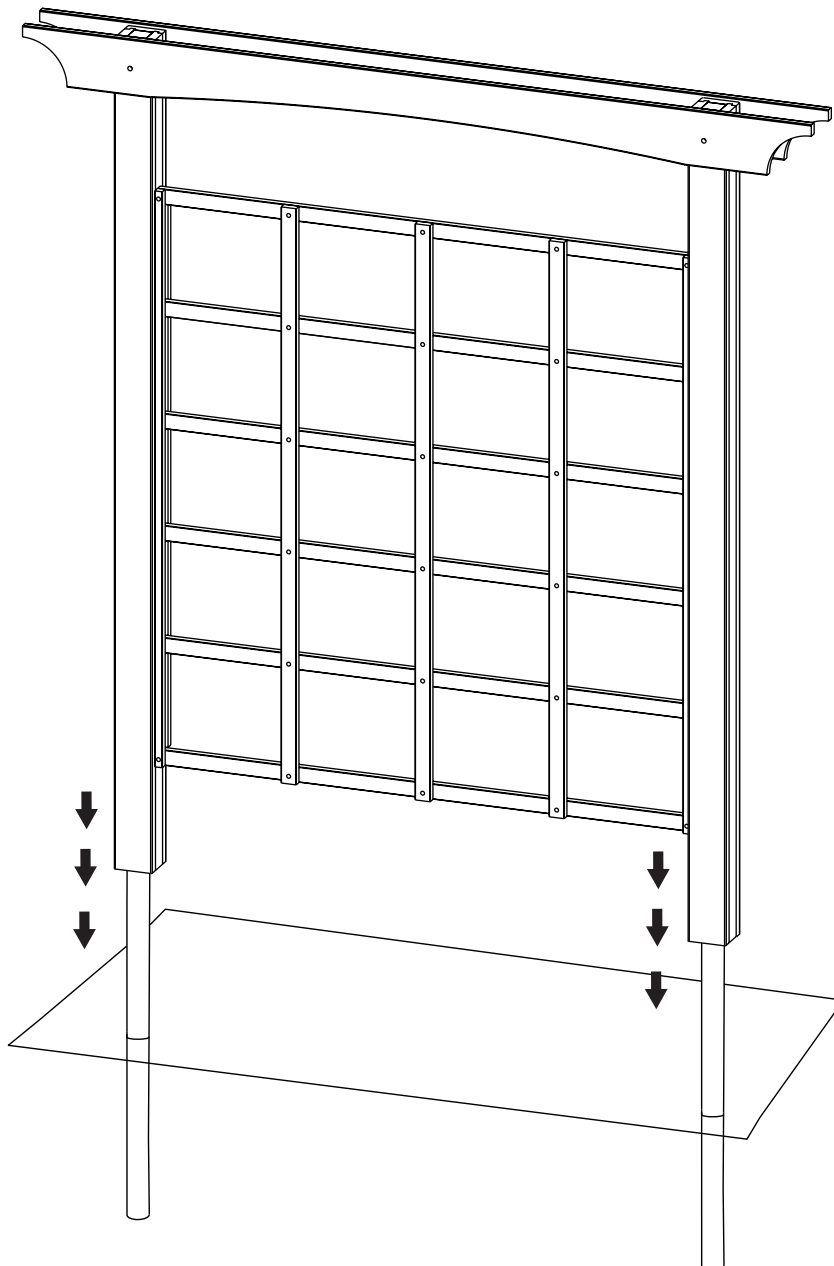
 POUND CAP



Step 7

GUIDE TRELLIS ONTO MOUNTING POSTS

Make sure to have a helper for this step



We're here for you.

If you have any questions at all,
don't hesitate to contact us.

NORTH AMERICA TOLL FREE

1-800-282-9346

UNITED KINGDOM

(44) 2038 687160

Visit our website to chat with a support technician.

WWW.NEWENGLANDARBORS.COM
WWW.NEWENGLANDARBORS.CO.UK

