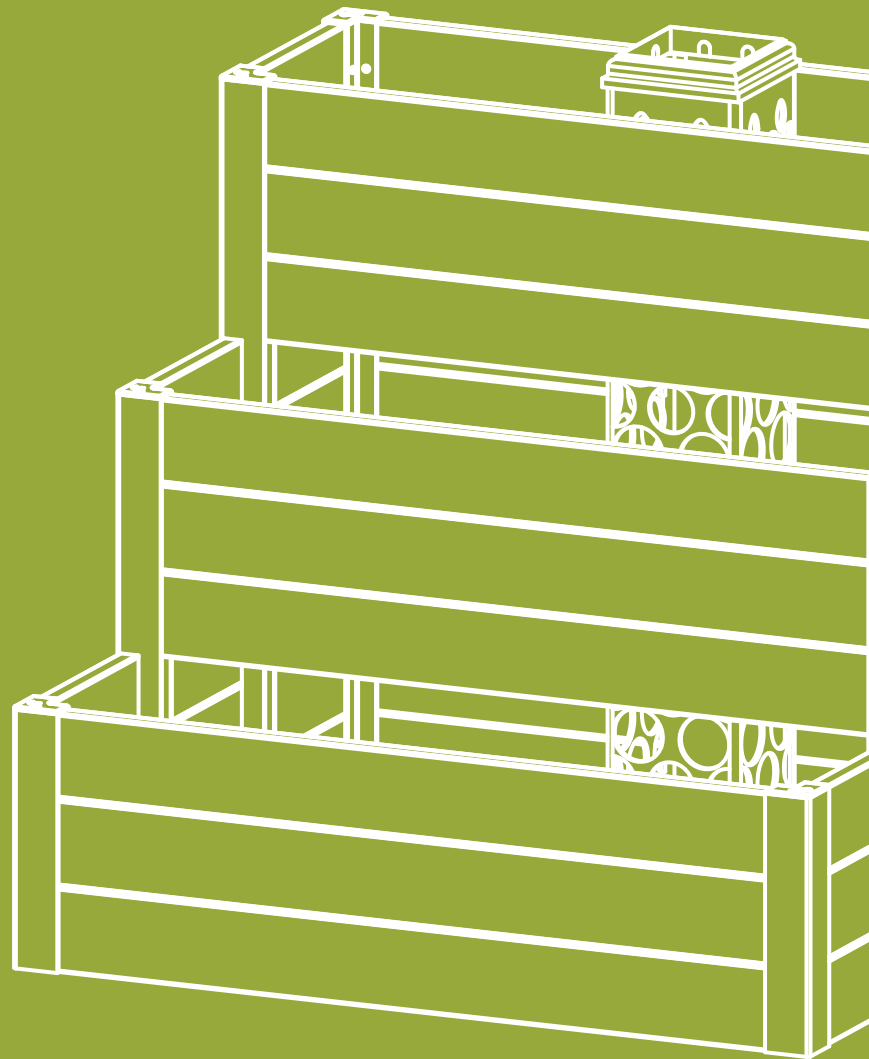


Cascading
KEYHOLE
... GARDEN ...

Instruction Manual



Congratulations!

We're thrilled that you chose to purchase a Vita Keyhole Garden. We're sure that you'll not only grow healthy foods but you'll have fun too.

Keyhole Gardening is a gardening technique native to many communities in Africa. It's used particularly in Rwanda, Uganda, Tanzania and Kenya. The design is such that it requires considerably less water than traditional gardens making perfect in drought prone areas. In addition to using less water, it also allows you to compost and grow in the same garden. This reduces your daily household waste and in turn reduces greenhouse gases.



Kageyo Garden Project

With your Keyhole Garden purchase you are also supporting a great cause - helping us build Keyhole Gardens in Rwanda through the Kageyo Garden Project.

Our goal is to *build 500 Keyhole Gardens* in the village of Kageyo, Rwanda. In 2015 we have already built 55 Keyhole Gardens and the community is immediately benefitting with better health through the introduction of vegetables.

Follow the journey at www.VitaGardens.com/Rwanda

A Great Investment

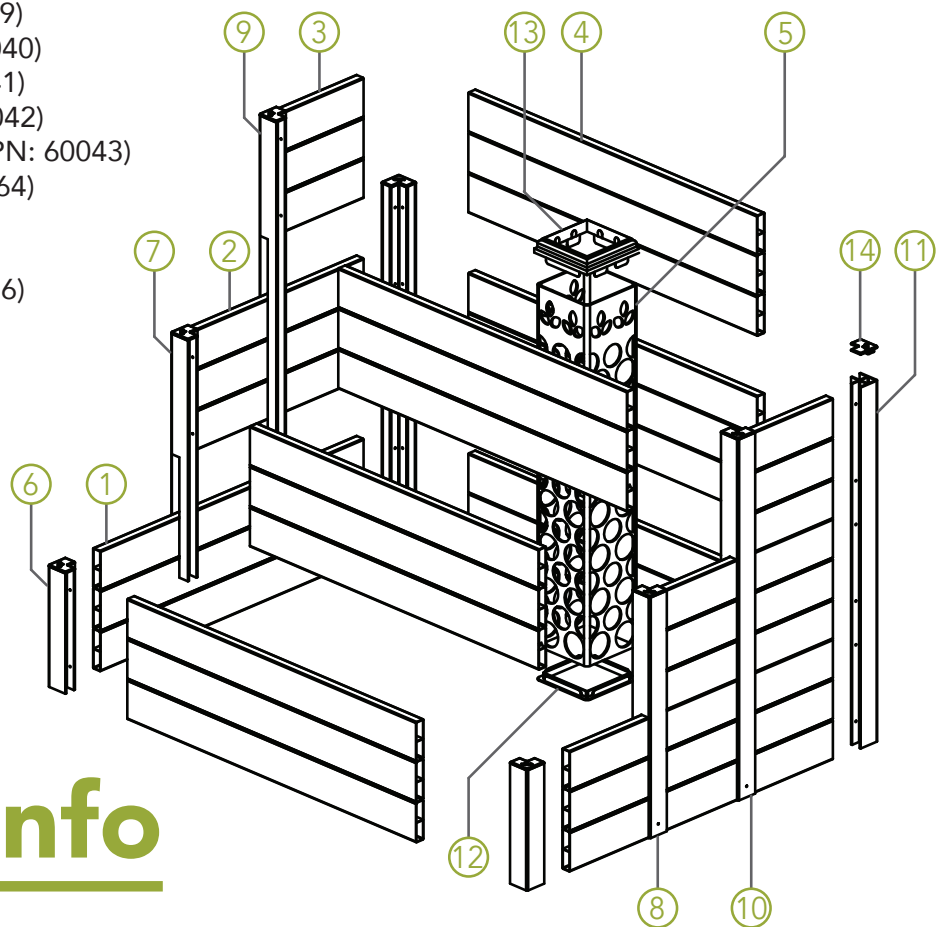
Your new Vita Keyhole Garden is a fantastic investment for many reasons:

1. Growing your own healthy organic foods is healthy, cost effective and fun
2. Reduce your kitchen waste and greenhouse gasses
3. Create your own garden soil with easy composting
4. Reduce your water consumption
5. Naturally control weeds
6. Plant earlier (the soil warms faster)
7. Far easier on your back

Box Contents

Before you begin, please check the box for these contents. In the event of missing or defective parts please call our customer service department at 1.844.880.VITA (8482) Mon. to Fri. 8:00 AM to 4:00 PM EST.

1. Board Wall - Side - Bottom (2) 7/8" x 11" x 30 3/4" (PN: 60033)
2. Board Wall - Side - Middle (2) 7/8" x 11" x 20 3/8" (PN: 60034)
3. Board Wall - Side - Top (2) 7/8" x 11" x 10" (PN: 60035)
4. Board Wall (6) 7/8" x 11" x 33 3/4" (PN: 60036)
5. Keyhole Post (1) 6" x 6" x 33" (PN: 60037)
6. Post - A - Left & Right (2) 11" (PN: 60038)
7. Post - B - Left (1) 22" (PN: 60039)
8. Post - B - Right (1) 22" (PN: 60040)
9. Post - C - Left (1) 33" (PN: 60041)
10. Post - C - Right (1) 33" (PN: 60042)
11. Post - D - Left & Right (2) 33" (PN: 60043)
12. Post Bottom Insert (1) (PN: 10764)
13. Post Trim Cap (1) (PN: 10765)
14. L-Shaped Cap (8) (PN: 60044)
15. 5/8" Steel Screw (64) (PN: 20016)



General Info

- **Read Instructions through carefully before beginning assembly.**
- When assembling components, place on a non-abrasive surface (i.e. shipping box) to avoid scratching.
- We recommend an area approx 4'x 8' for unobstructed assembling.
- You should not need to use excessive force when assembling components.

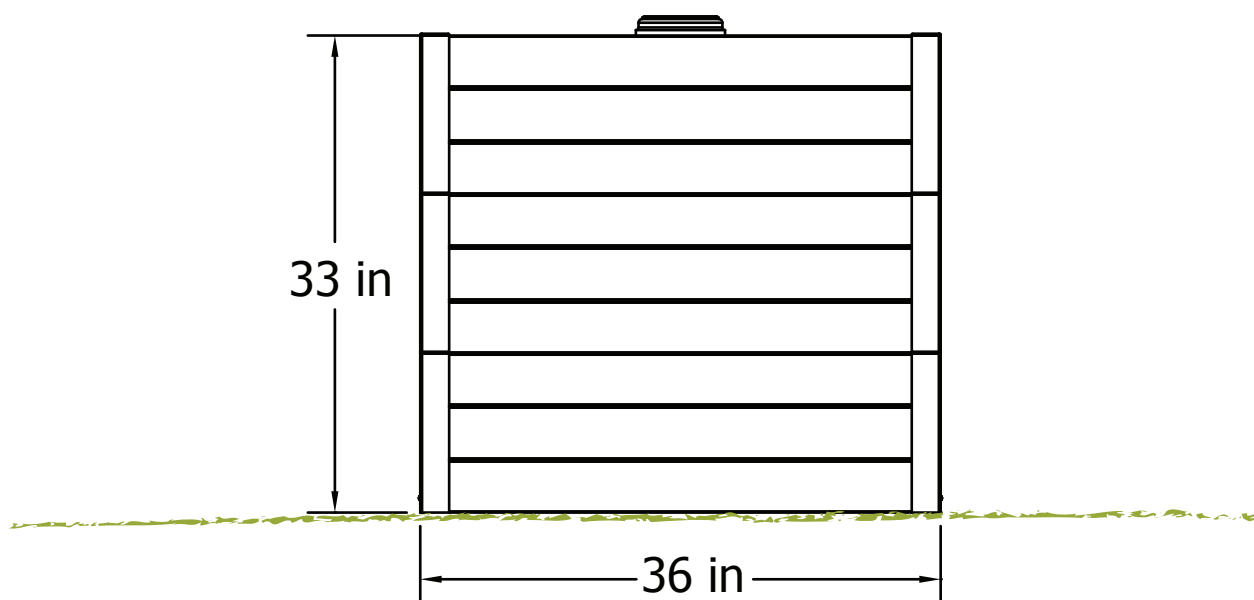
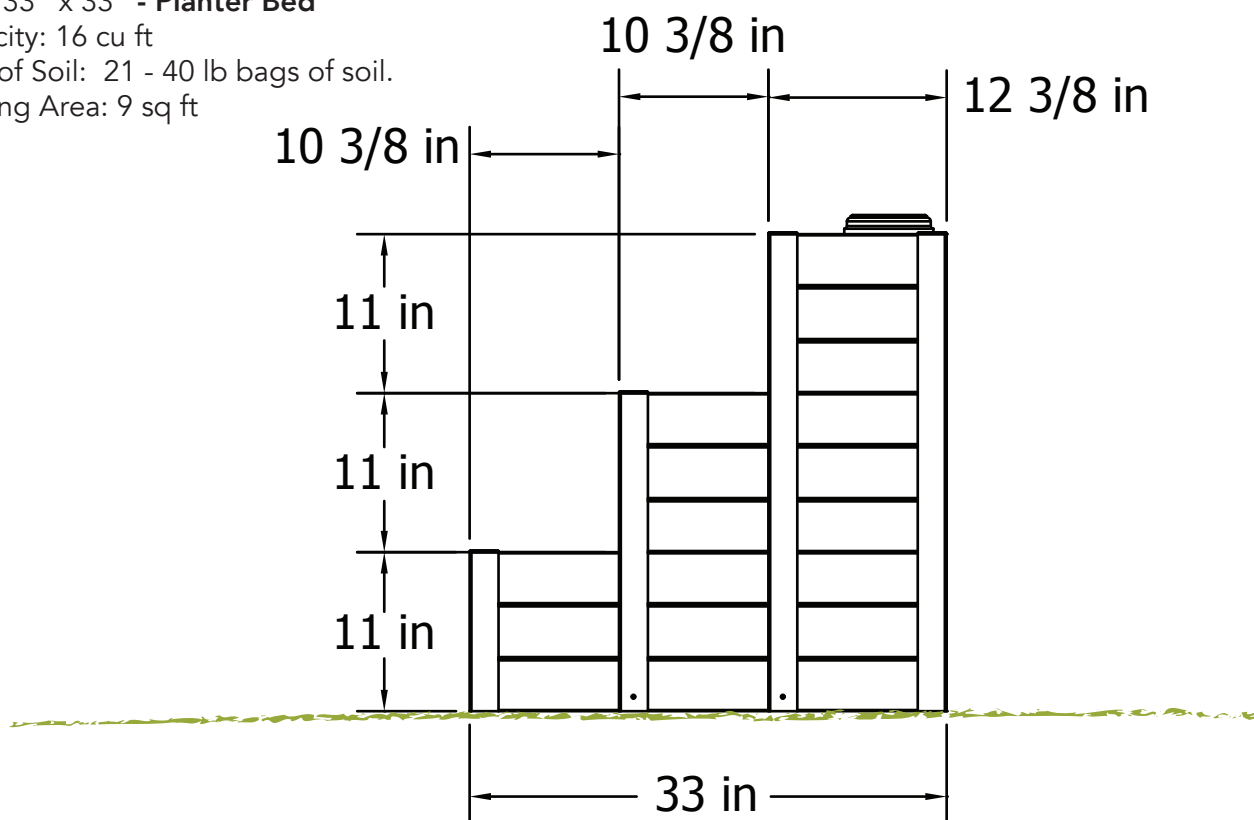
Dimensions

36" x 33" x 33" - Planter Bed

Capacity: 16 cu ft

Bags of Soil: 21 - 40 lb bags of soil.

Planting Area: 9 sq ft



Warranty

We want you to know that your new Keyhole Garden has a 20 year warranty on composite boards, and 20 year warranty on the aluminum structure against:

1. Yellowing
2. Fading
3. Rotting

Maintenance is non-existent as a simple spray with a garden hose will clean the bed from dirt, so you can spend more time growing food than maintaining your garden beds.

If you have any questions about your warranty or about Vita products please call our customer service department at 1.844.880.VITA (8482), Mon. to Fri. 8:00 AM to 4:00 PM EST.

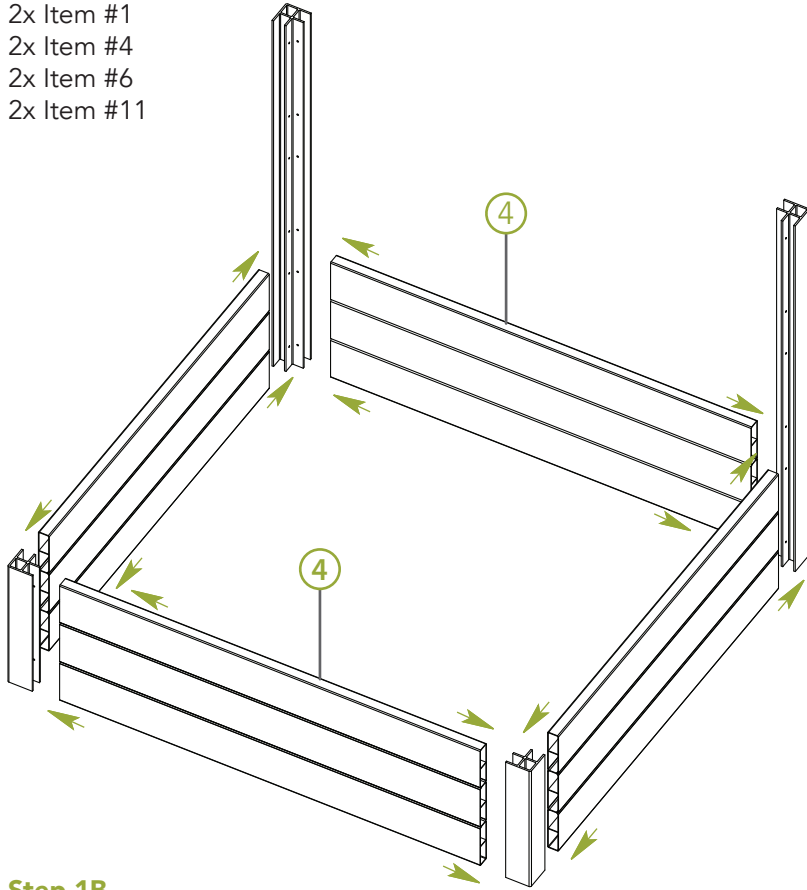
Happy Growing!

1

Step 1A

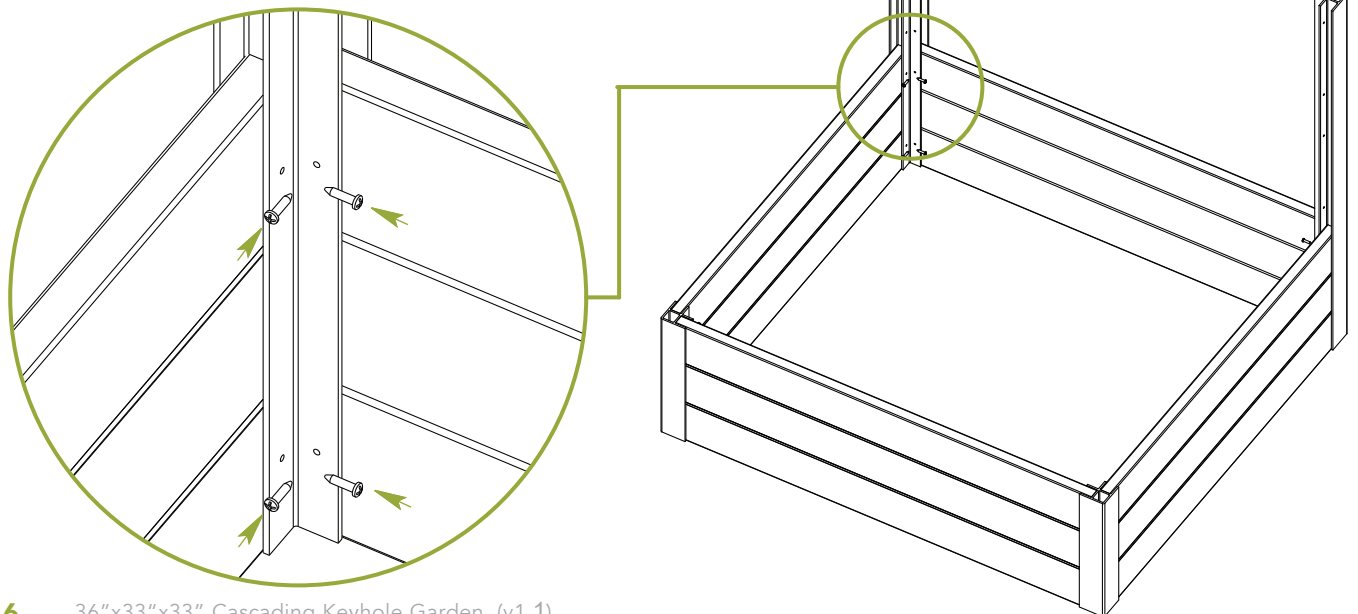
Assemble the four bottom boards as shown.

- 2x Item #1
- 2x Item #4
- 2x Item #6
- 2x Item #11



Step 1B

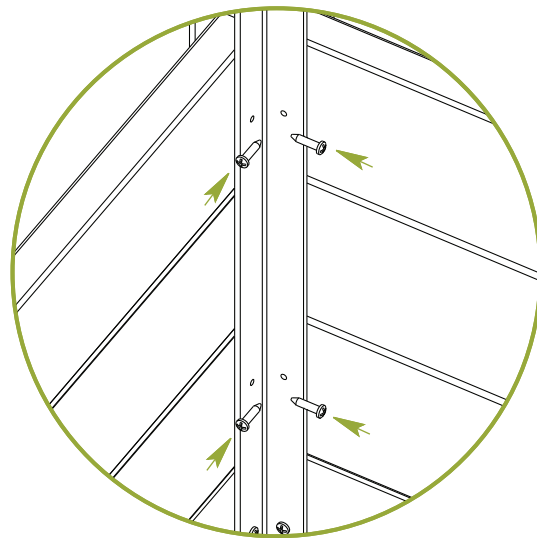
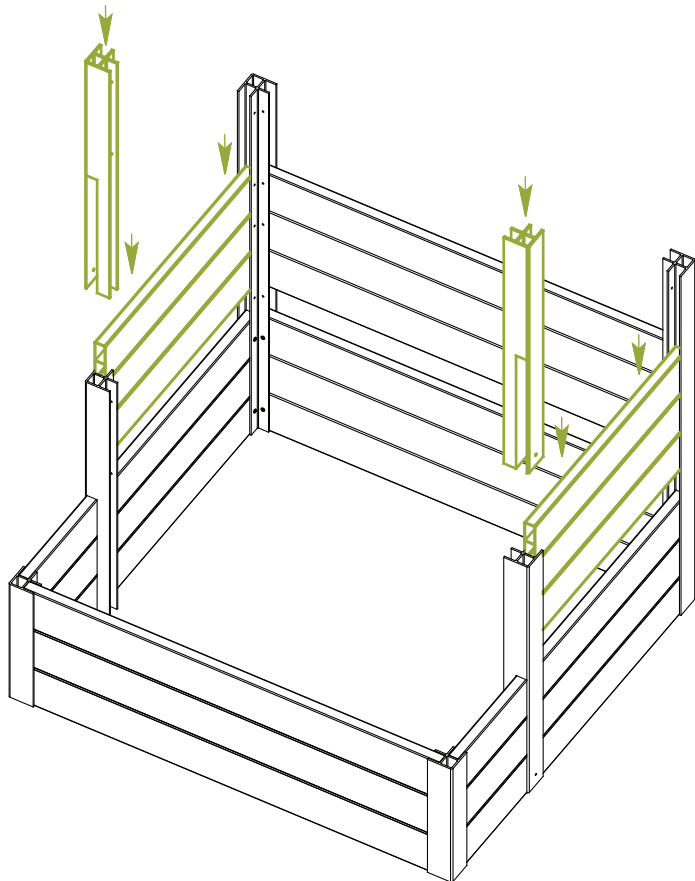
Fasten each board with four screws as shown (total of 16 screws)



2

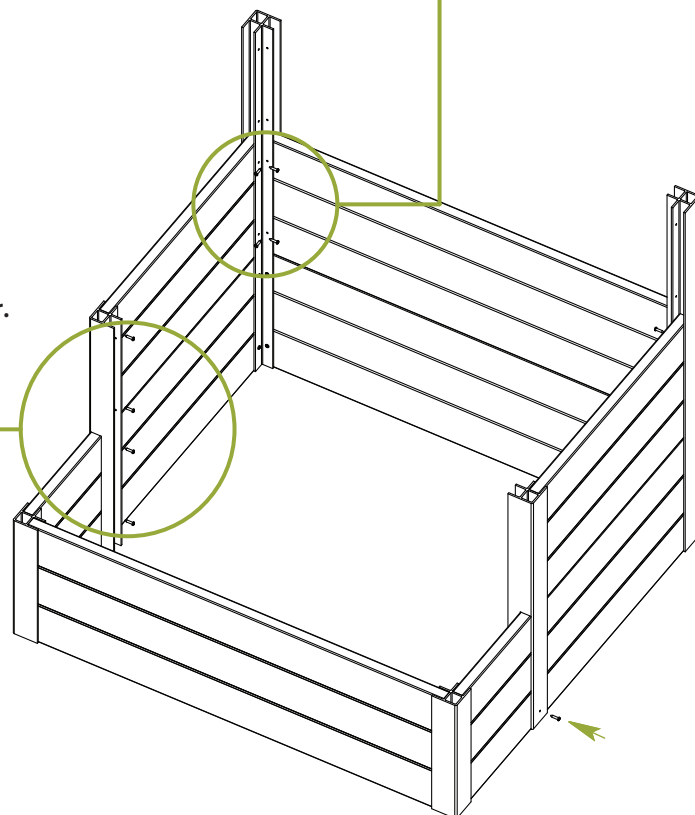
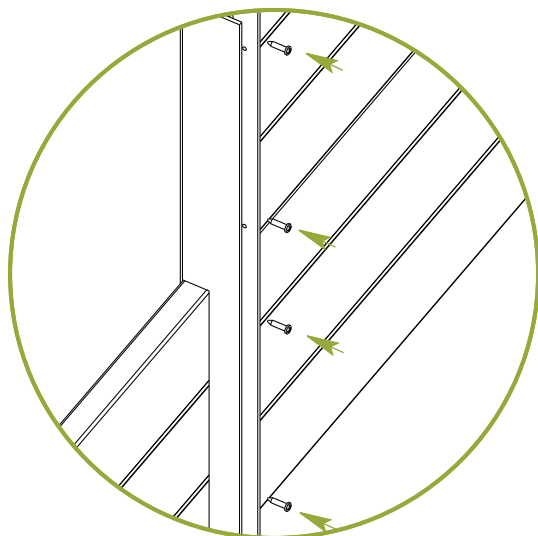
Step 2A

Slide posts B - Left and B - Right as shown followed by two board walls (item #2)



Step 2B

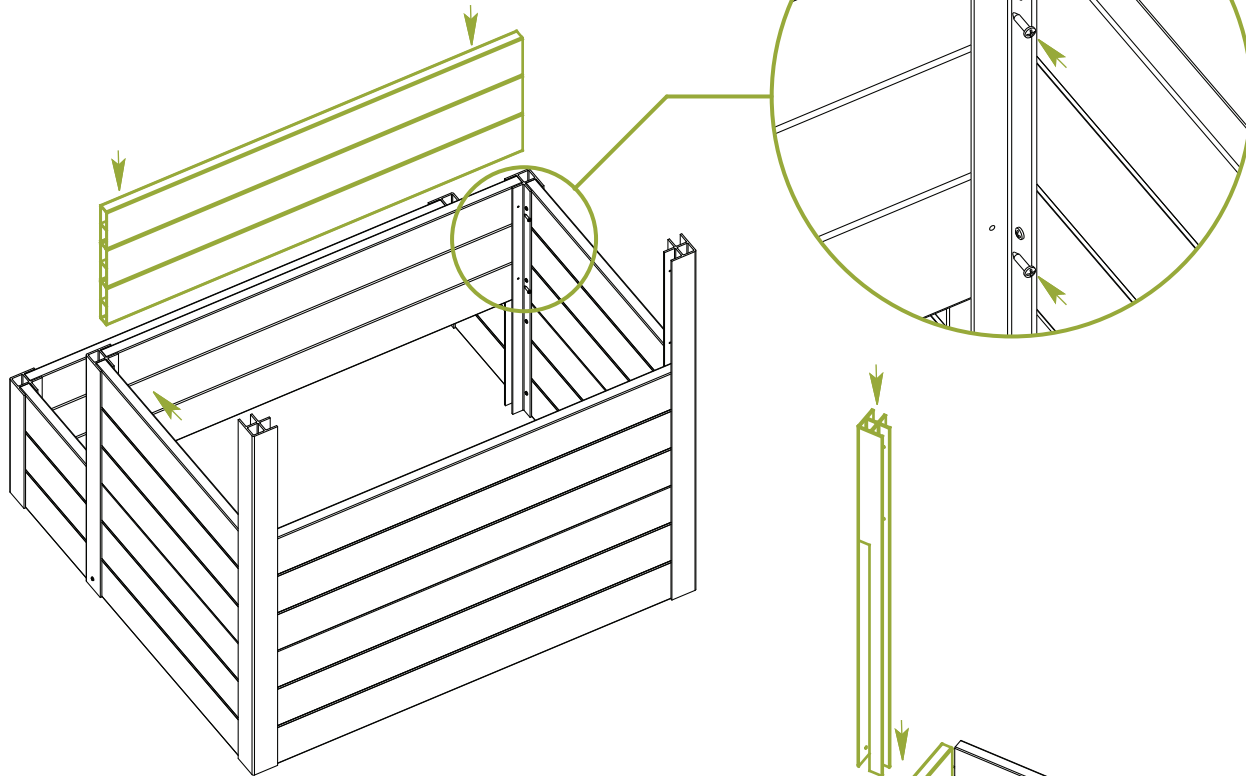
Fasten each of the additional posts at the five locations shown, in addition to the four screws in the inside corner. (Total of 18 screws)



3

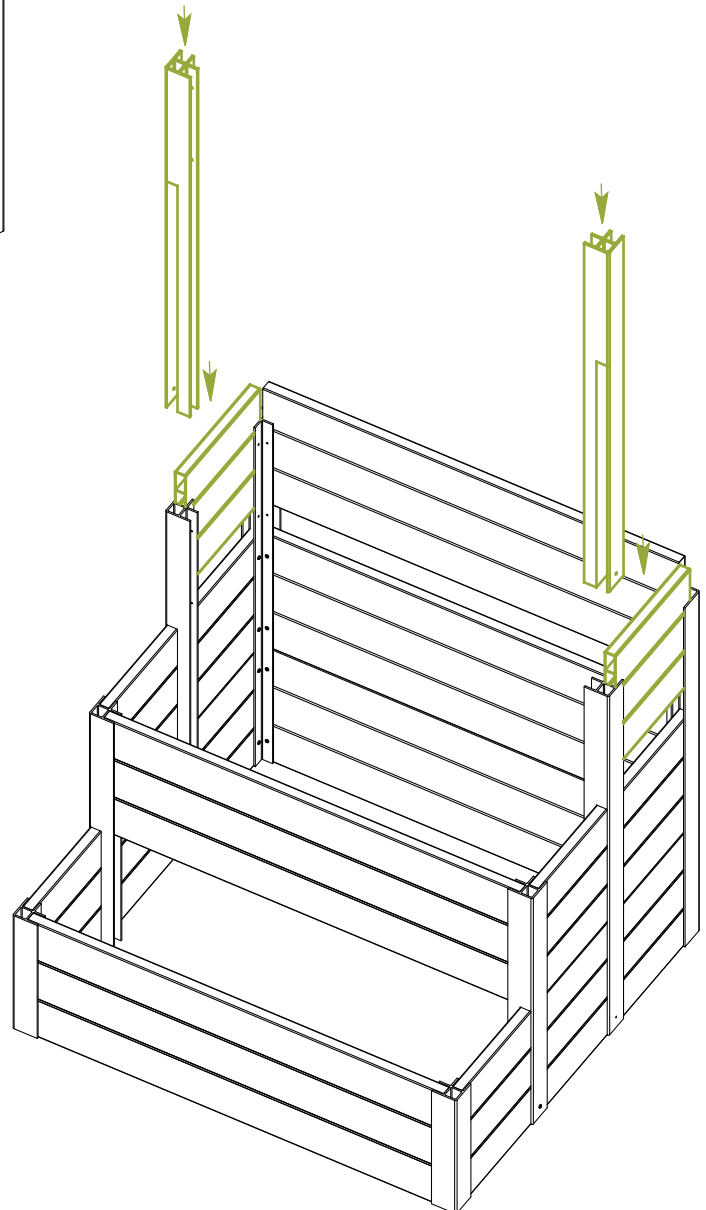
Step 3A

Slide Board Wall (item #4) between the two new posts. With a helper, hold the board flush to the top of the posts and fasten with a total of four screws.



Step 3B

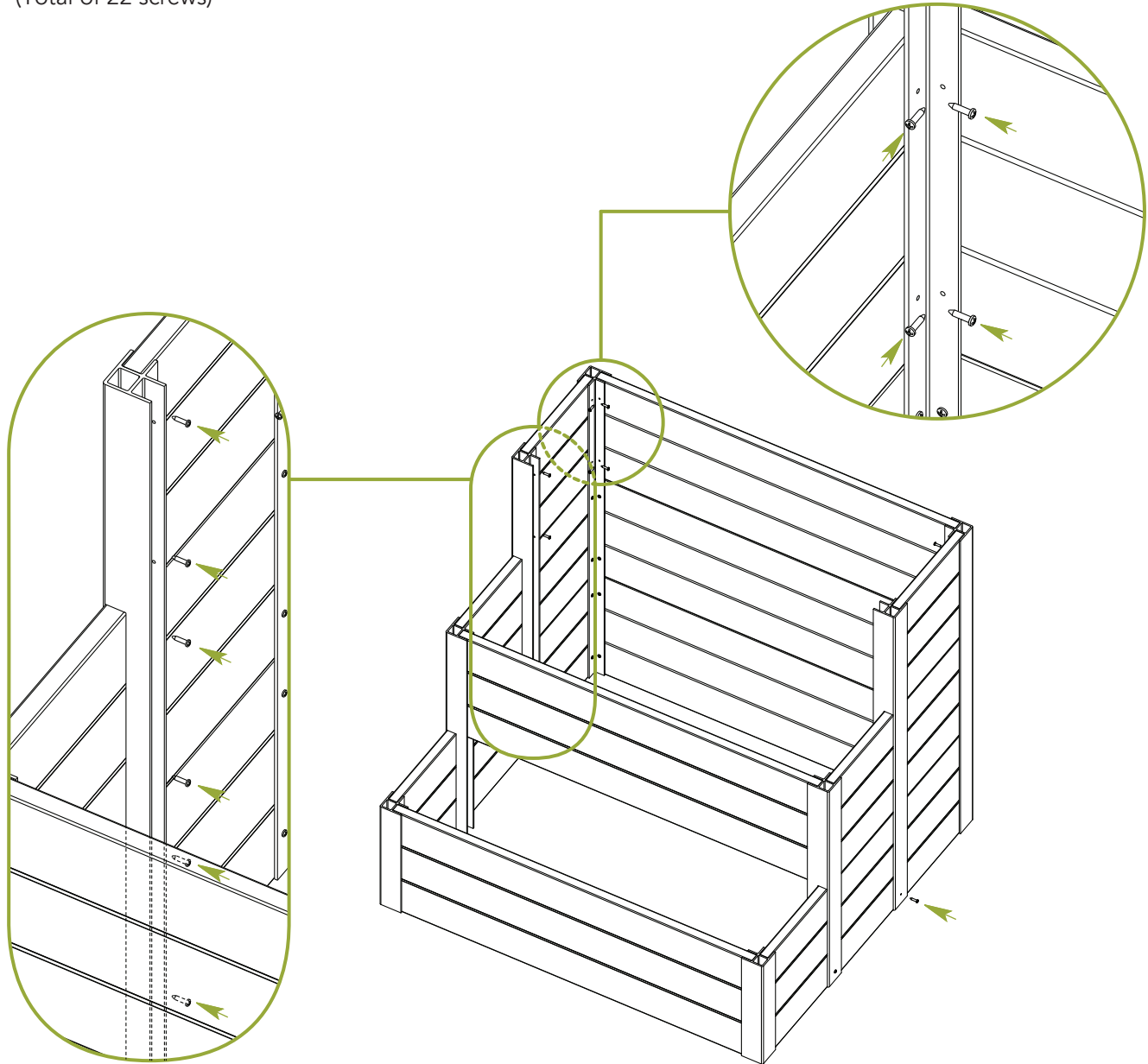
Slide posts C - Left and C - Right as shown followed by two board walls (item #3)



4

Step 4

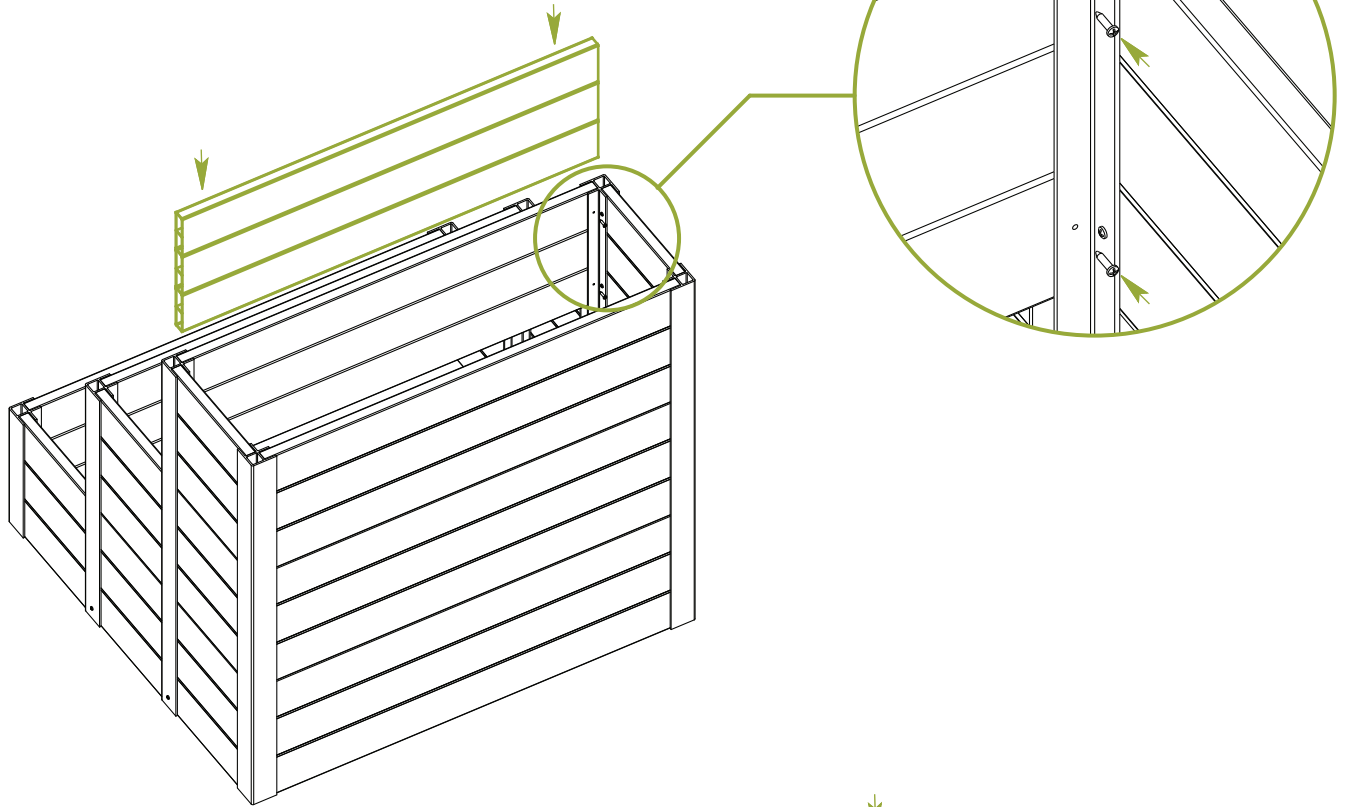
Fasten each of the additional posts at the seven locations shown, in addition to the four screws in the inside corner. (Total of 22 screws)



5

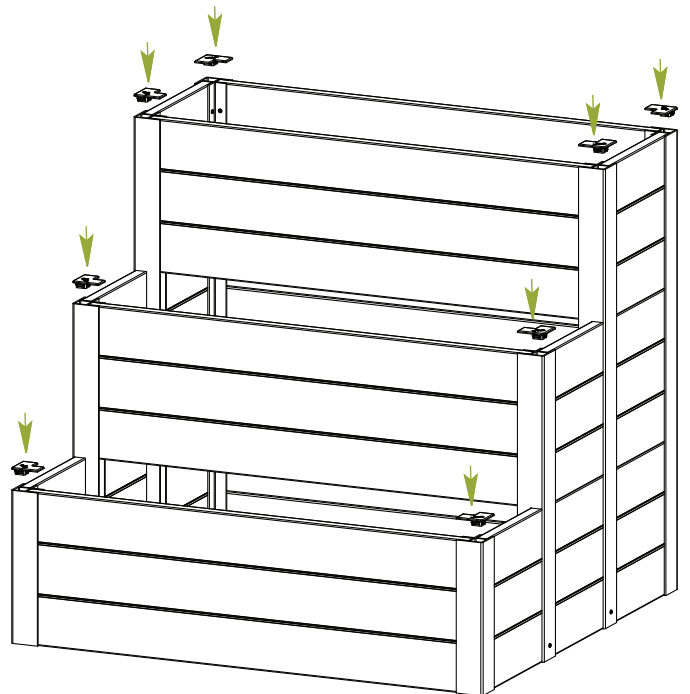
Step 5A

Slide Board Wall (item #4) between the two new posts. With a helper, hold the board flush to the top of the posts and fasten with a total of four screws.



Step 5B

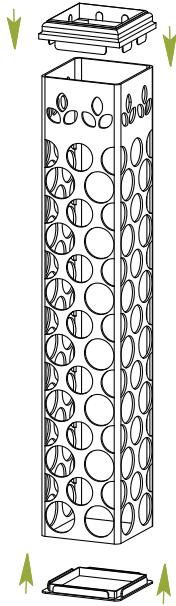
Pressure fit all eight post caps into place as shown.



6

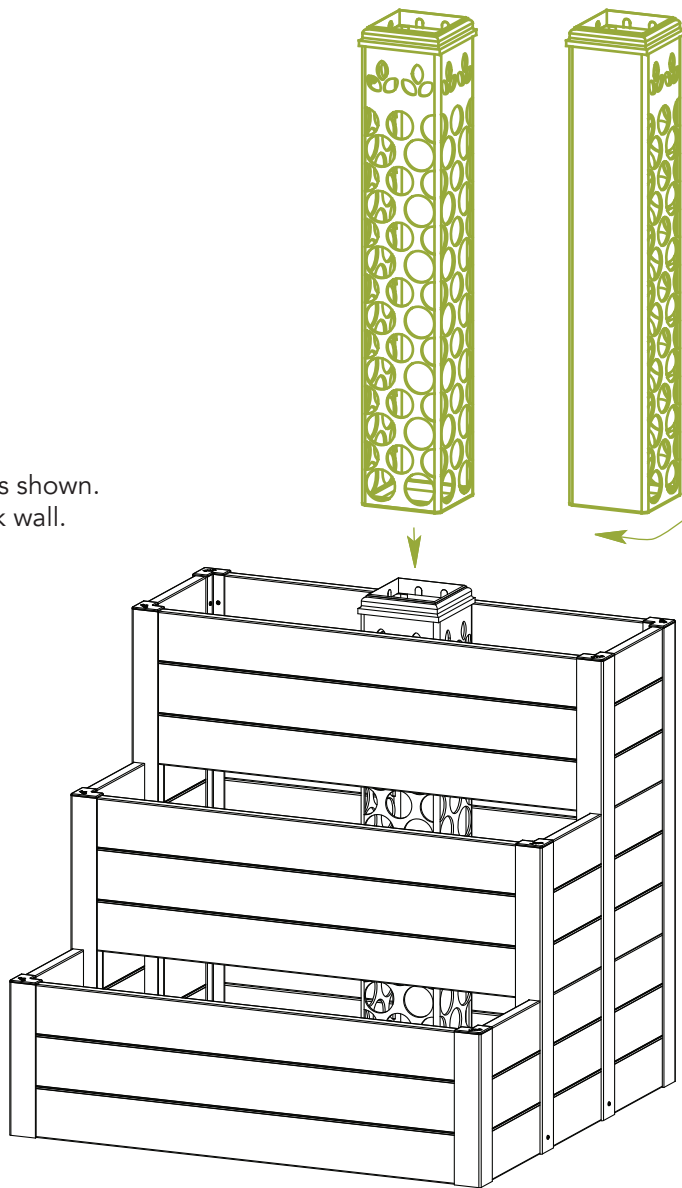
Step 6A

Assemble the post insert as shown.



Step 6B

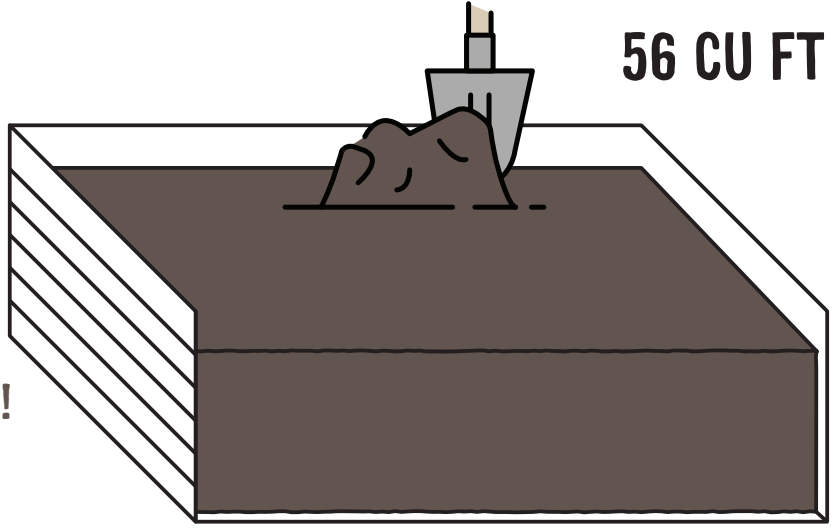
Place the post insert into the planter bed as shown. Make sure the solid face is against the back wall.



A

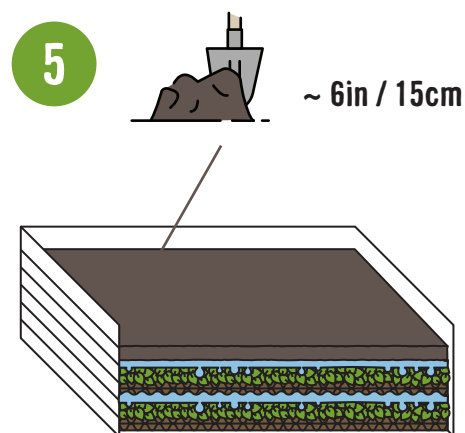
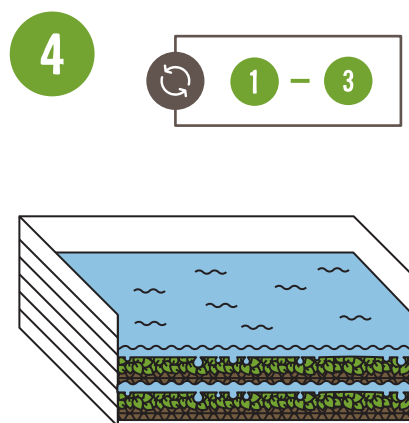
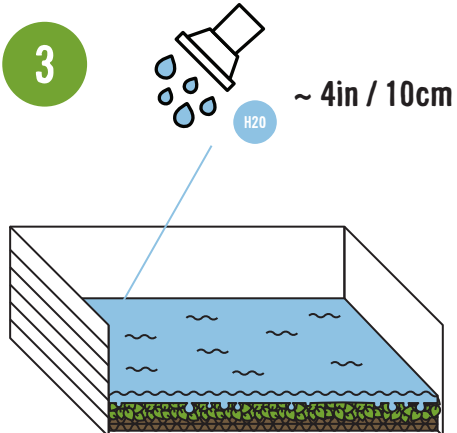
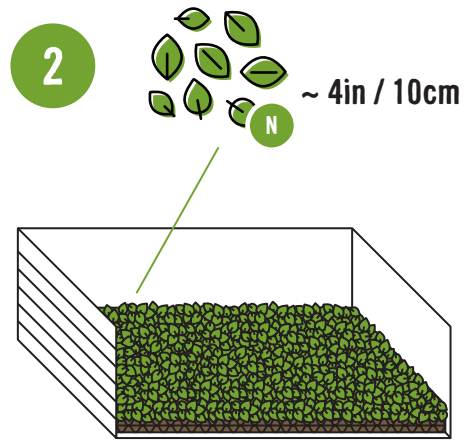
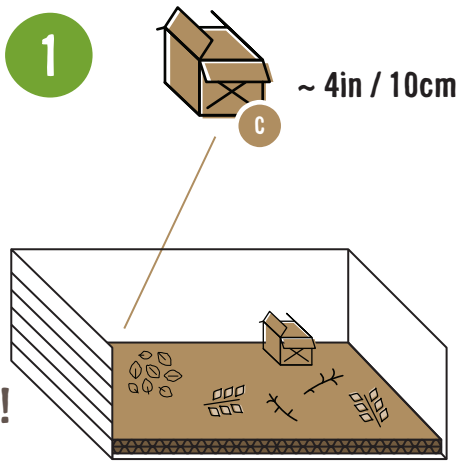
56 CU FT (1.6m)

**FILL WITH SOIL!
MIT ERDE FÜLLEN!
RIEMPI CON TERRA!
REMP LISSEZ-LE DE TERREAU!
ILLENAR CON LA TIERRA!**



B

**MAKE YOUR OWN SOIL!
PRODUZIEREN SIE EIGENE ERDE!
PRODUCI LA TUE TERRA!
CRÉEZ VOTRE PROPRE TERREAU!
ICREA TU PROPRIA TIERRA!**



NITROGEN



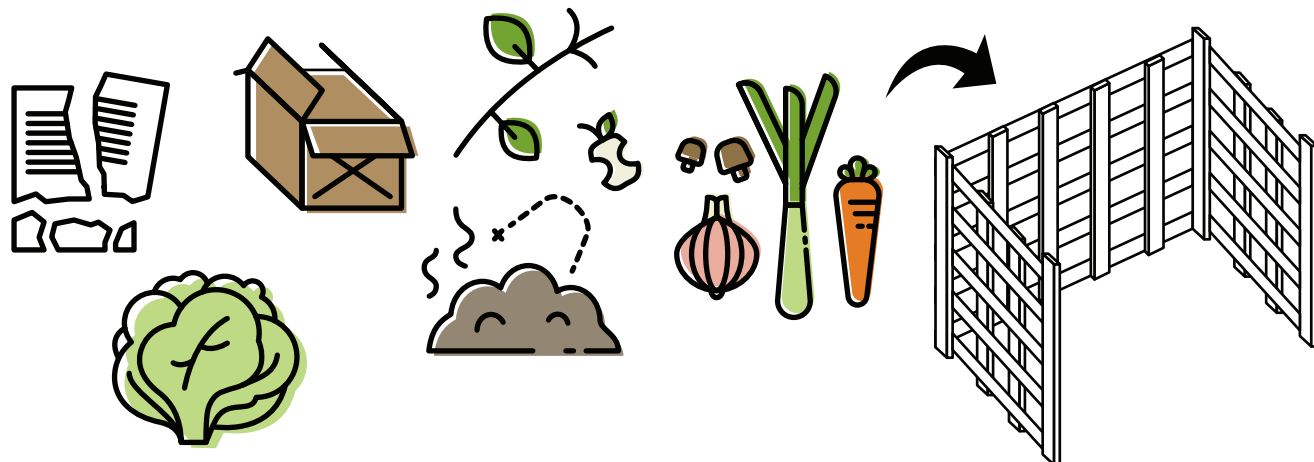
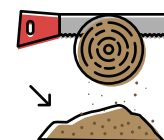
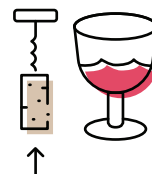
N



CARBON



C





vita

The world needs vegetables.

www.vitagardens.com