



ASSEMBLY GUIDE
GUIDE DE MONTAGE
GUÍA DE MONTAJE

MEZZA

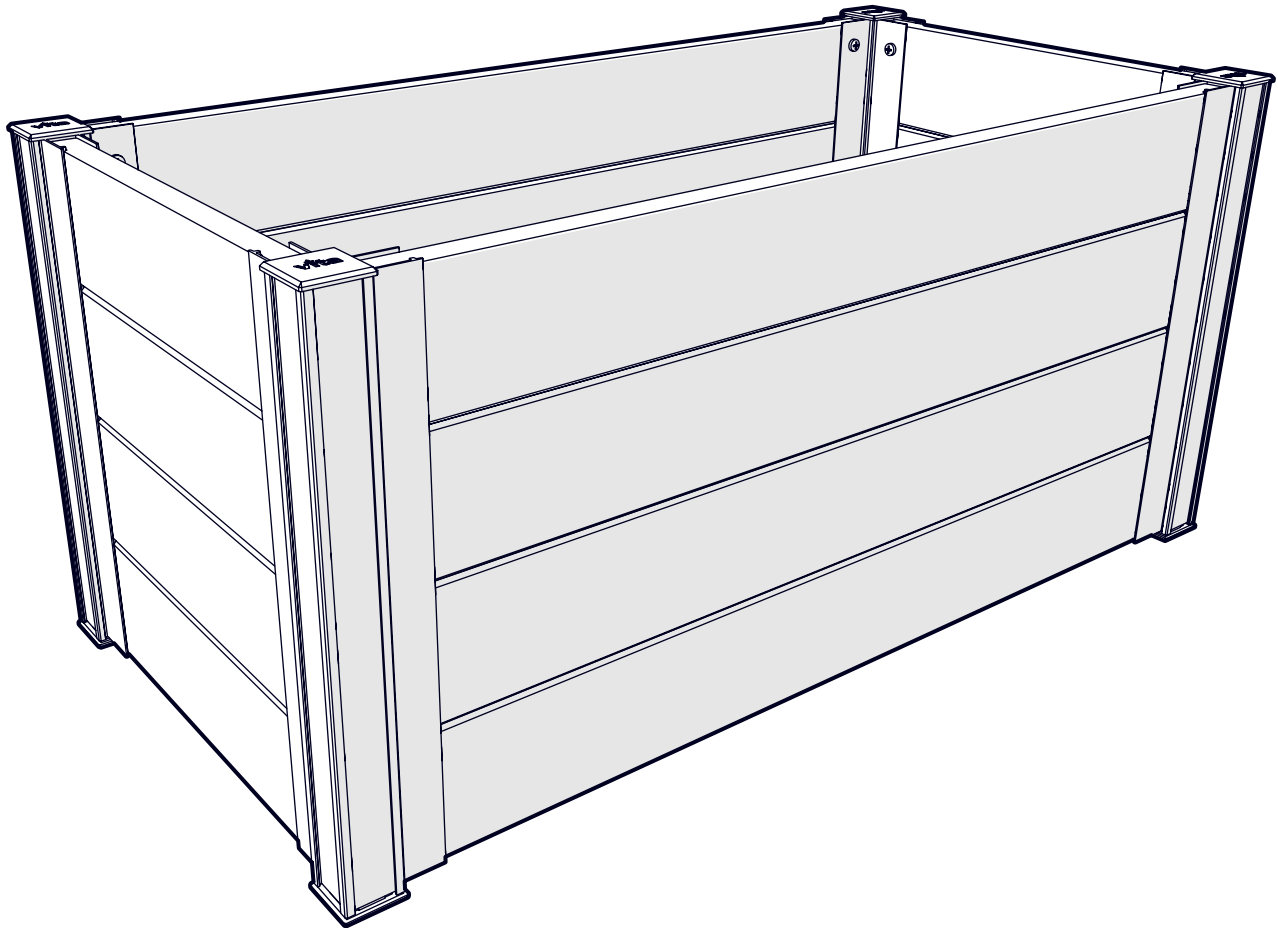
12X24X11 PLANTER

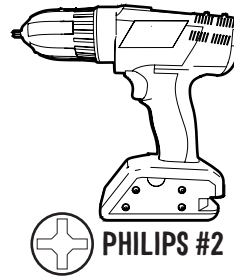
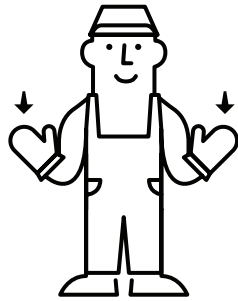
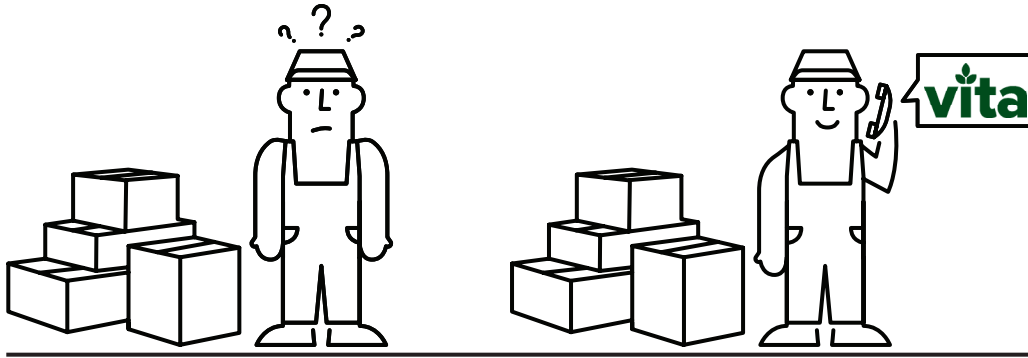
JARDINIÈRE 12X24X11


JARDINERA 12X24X11

VT17900

2-PACK
PAQUET DE 2
2 PAQUETES





 **1-800-282-9346**



HELLO@WEAREVITA.COM



WEAREVITA.COM



8:00AM - 5:00 PM EST



PARTS LIST

LISTE DES PIÈCES

LISTA DE PARTES



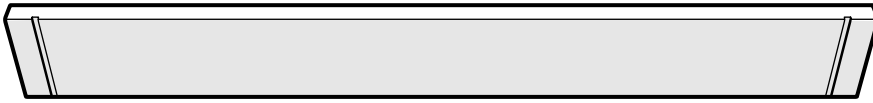
17057

TOP BOARD A - CONSEIL SUPERIEURPANEL A - ABLERO SUPERIOR A
9 1/2" (24.2 CM) - **x4**



17058

STACKING BOARD B - TABLEAU DE EMPILAGE B - TABLERO DE APILAMIENTO B
9 1/2" (24.2 CM) - **x12**



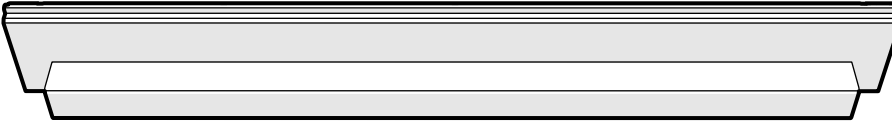
17071

TOP BOARD C - CONSEIL SUPERIEURPANEL C - ABLERO SUPERIOR C
21 1/2" (54.7 CM) - **x4**



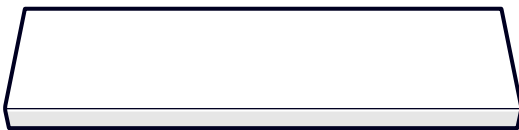
17072

STACKING BOARD D - TABLEAU DE EMPILAGE D - TABLERO DE APILAMIENTO D
21 1/2" (54.7 CM) - **x8**



17073

FLOOR BRACE E - RENFORT DE PLANCHER E - SOPORTE DE PISO E
21 1/2" (54.7 CM) - **x4**



17060

FLOOR BOARD F - PLANCHE D'ÉTAGE F - TABLERO DE PISO F
10 1/8" (25.7 CM) - **x10**



17062

FLOOR BOARD G - PLANCHE D'ÉTAGE G - TABLERO DE PISO G
10 1/8" (25.7 CM) - **x4**



17061

FLOOR BOARD H - PLANCHE D'ÉTAGE H - TABLERO DE PISO H
10 1/8" (25.7 CM) - **x2**

PARTS NOT TO SCALE PIÈCES NON À L'ÉCHELLE PARTES NO A ESCALA

PARTS LIST

LISTE DES PIÈCES

LISTA DE PARTES



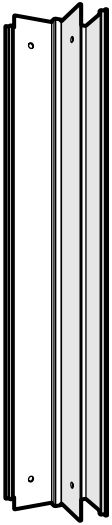
20066

SCREW - VISSER - TORNILLO
5/8"(1.6 CM) - **x32**



17020

POST CAP - ETE DE POTEAU - TABLERO DE PISO
1 1/4"(3.2 CM) - **x16**



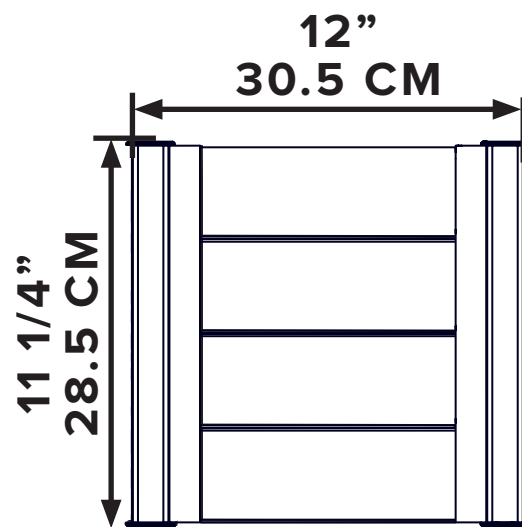
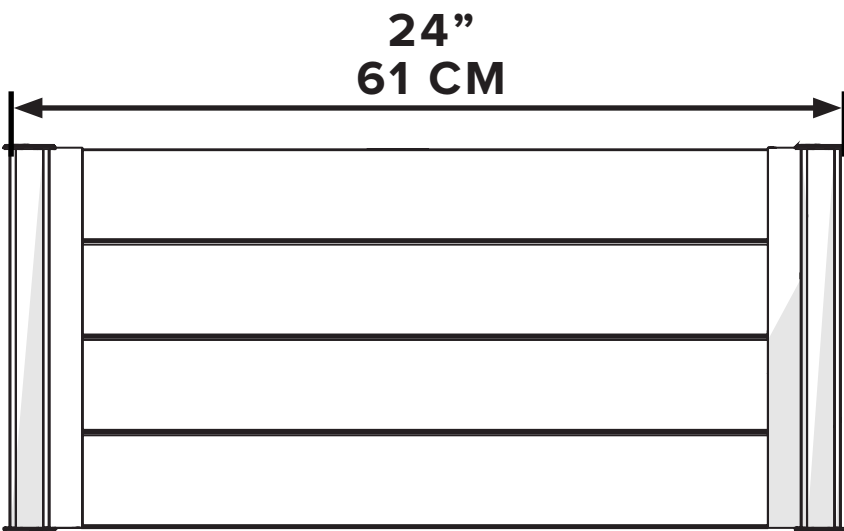
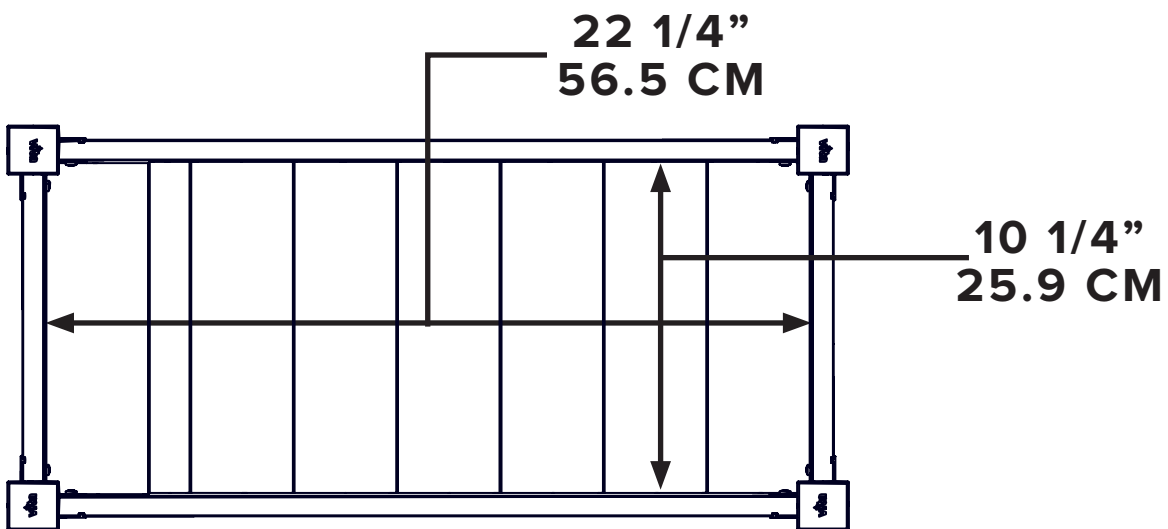
17063

POST - PUBLIER - EXPONER
11" (27.9 CM) - **x8**

PRODUCT DIMENSIONS

DIMENSIONS DU PRODUIT

DIMENSIONES DEL PRODUCTO

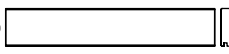


CU M ----- 0.04
CU FT ----- 2

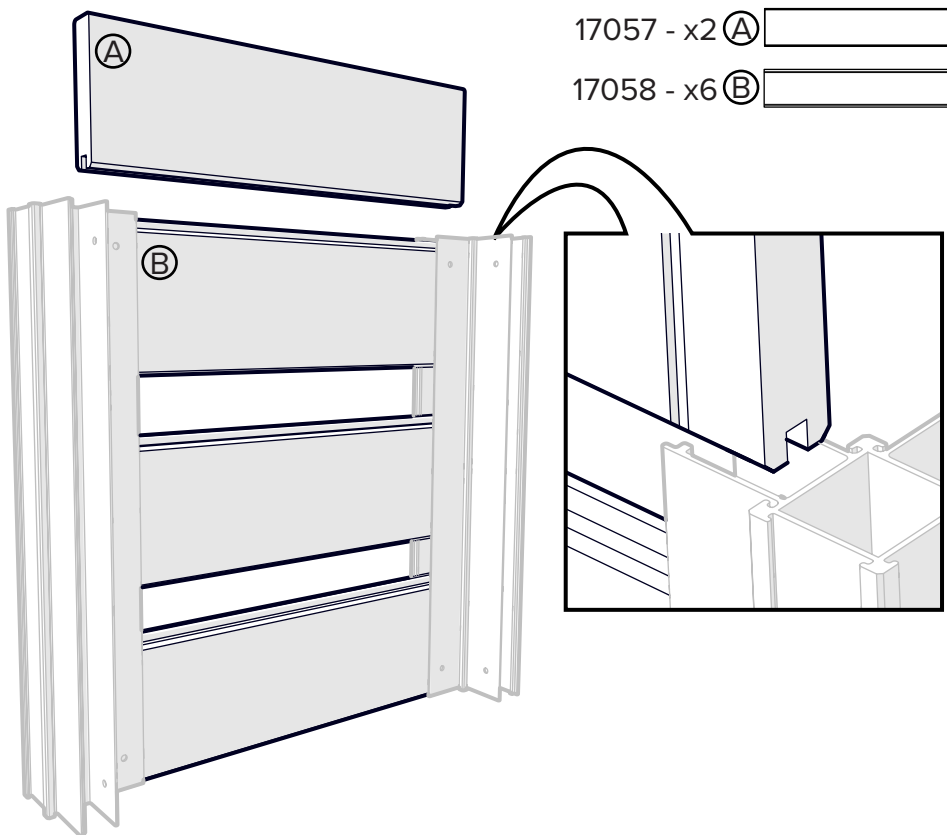
----- x2

A diagram showing a wooden crate with an arrow pointing to a pile of soil. Below this, the volume of the crate is listed as 0.04 CU M and 2 CU FT. Below that, an icon of a bag of soil is shown with the quantity x2.

17063 - x4 

17057 - x2 (A) 


17058 - x6 (B) 

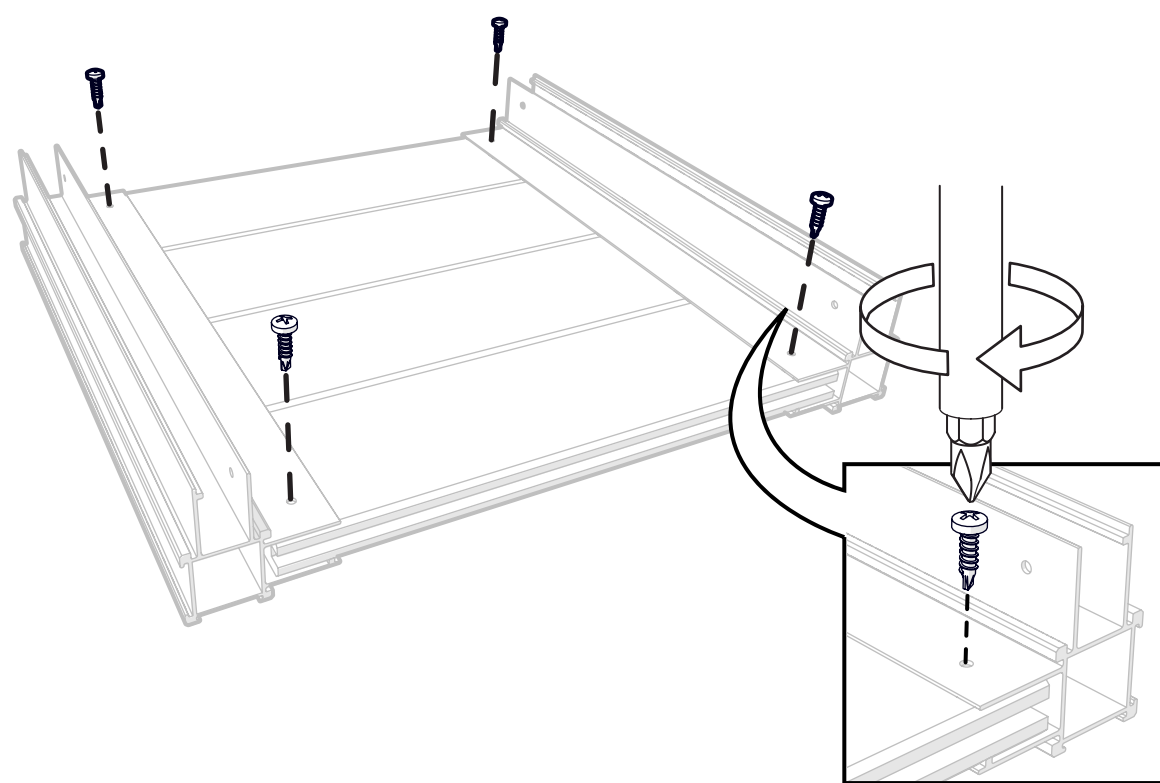


X2

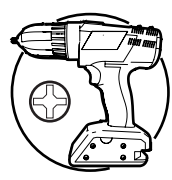


2

20066 - x8 



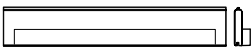
X2

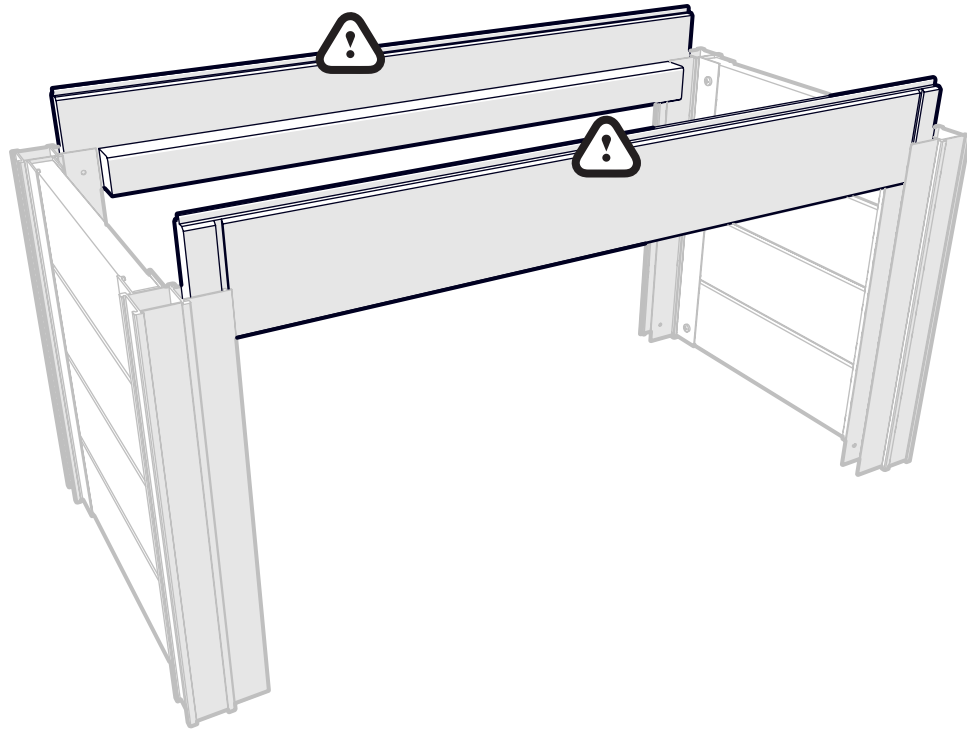


PHILIPS #2

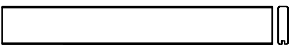


3

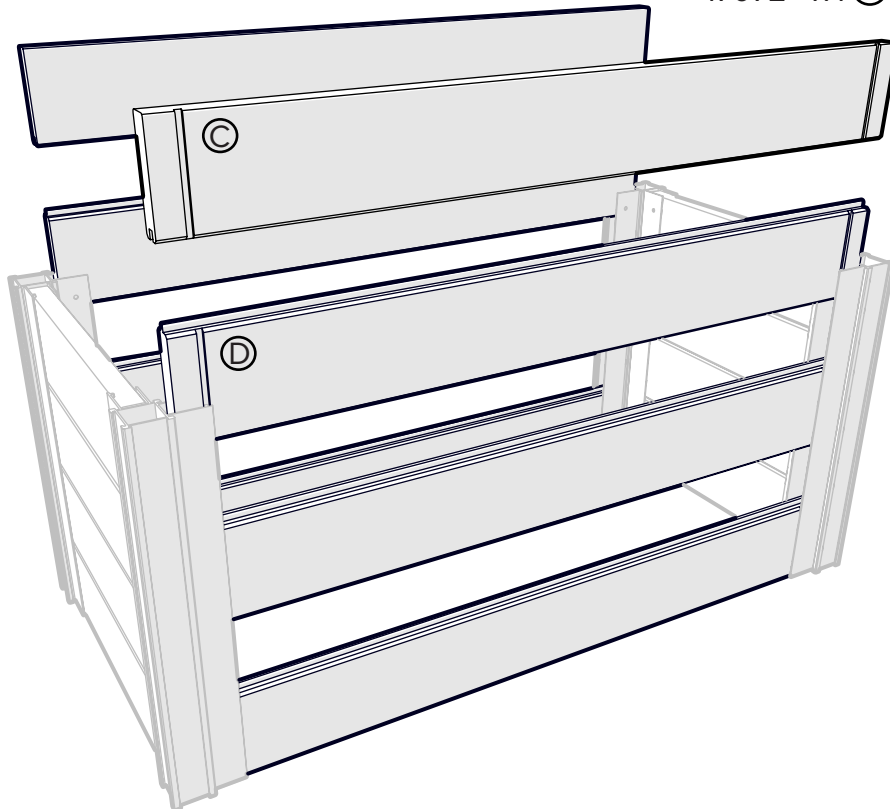
17073 - x2 



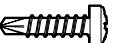
4

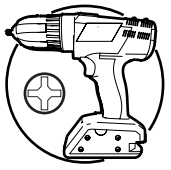
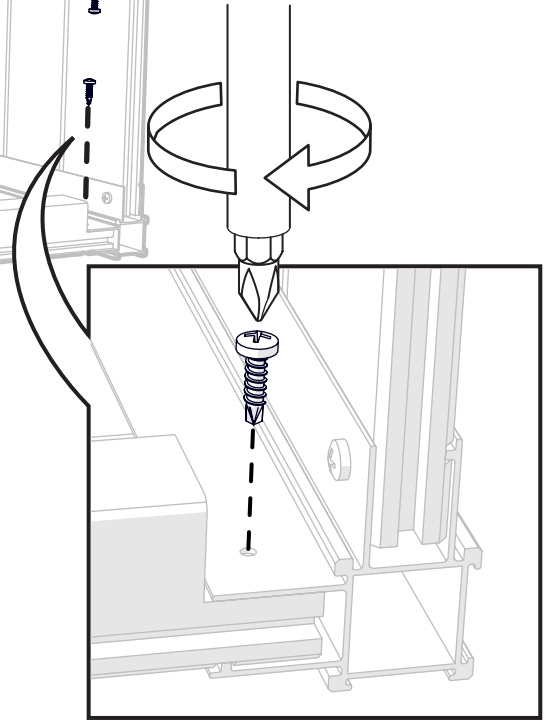
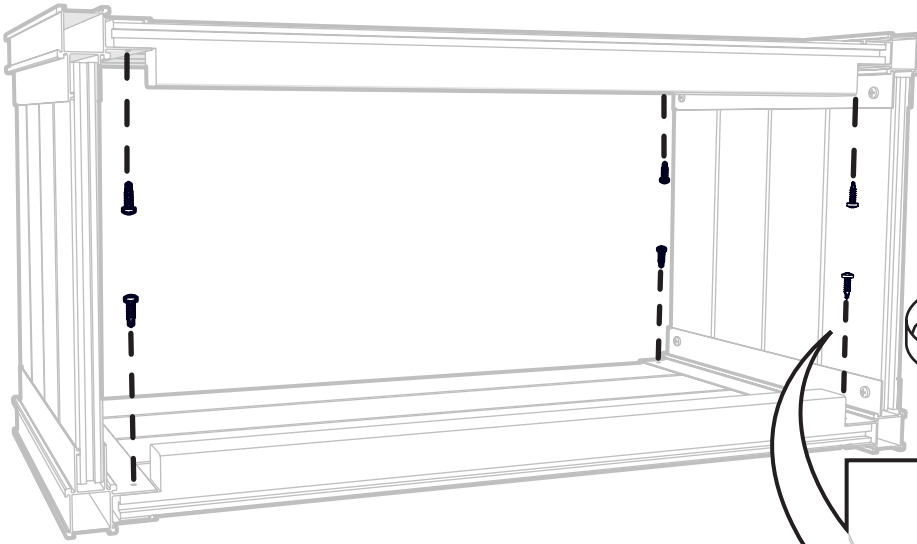
17071 - x2 

17072 - x4 



5

20066 - x8 



PHILIPS #2

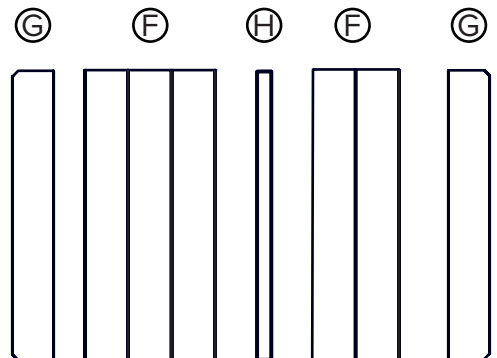
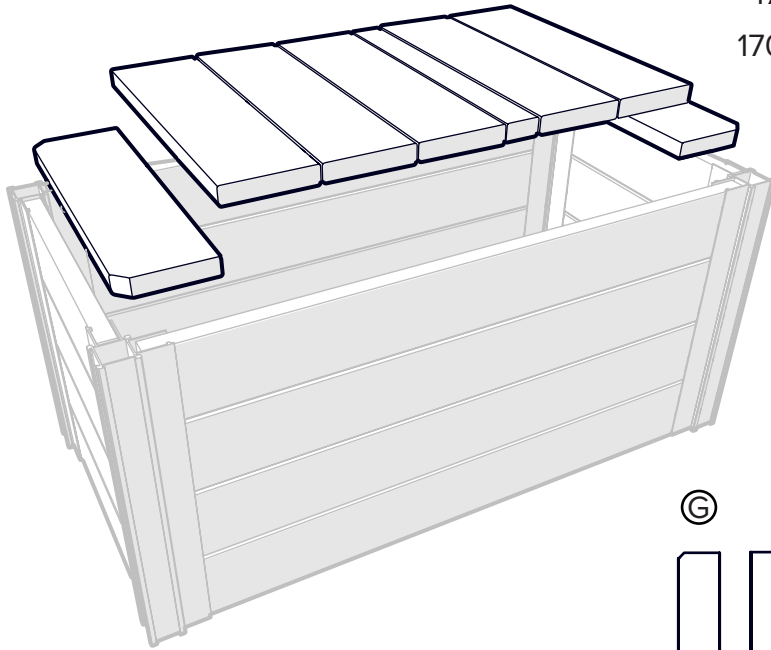


6

17060 - x5 

17061 - x1 

17062 - x2 



7

17020 - x8 

