

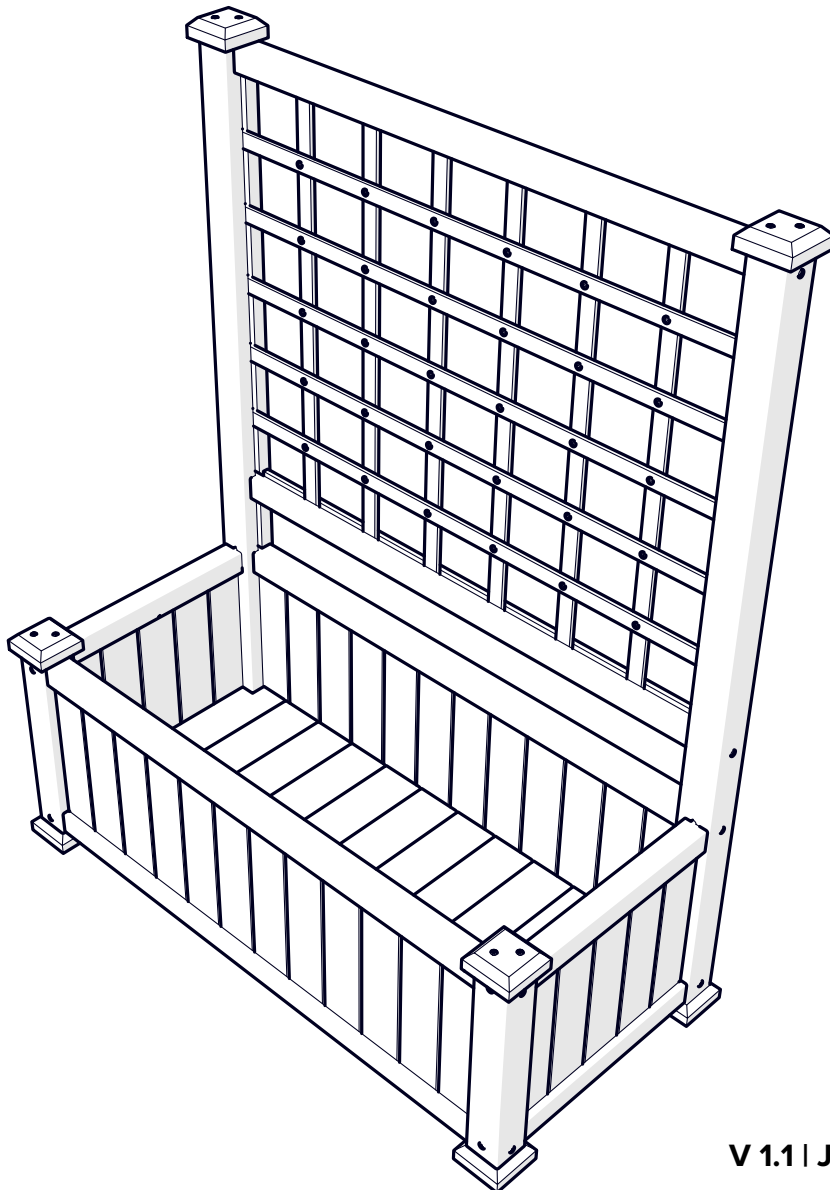


ASSEMBLY GUIDE
GUIDE DE MONTAGE
GUÍA DE MONTAJE

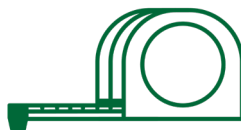
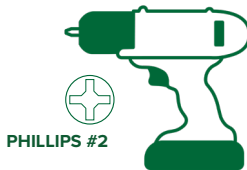
ROSEWOOD PLANTER

JARDINIÈRE ROSEWOOD
PLANTADORA DE ROSEWOOD

VT17735



V 1.1 | JULY 15, 2022



**85 L (Liters)
or
3.0 Ft³ (Cubic Feet)**

**REQUIRED TOOLS AND MATERIALS (NOT INCLUDED)
OUTILS ET MATÉRIAUX REQUIS (NON INCLUS)
HERRAMIENTAS Y MATERIALES REQUERIDOS (NO INCLUIDOS)**



HELLO@WEAREVITA.COM



**VISIT WWW.WEAREVITA.COM
CLICK 'CHAT'**



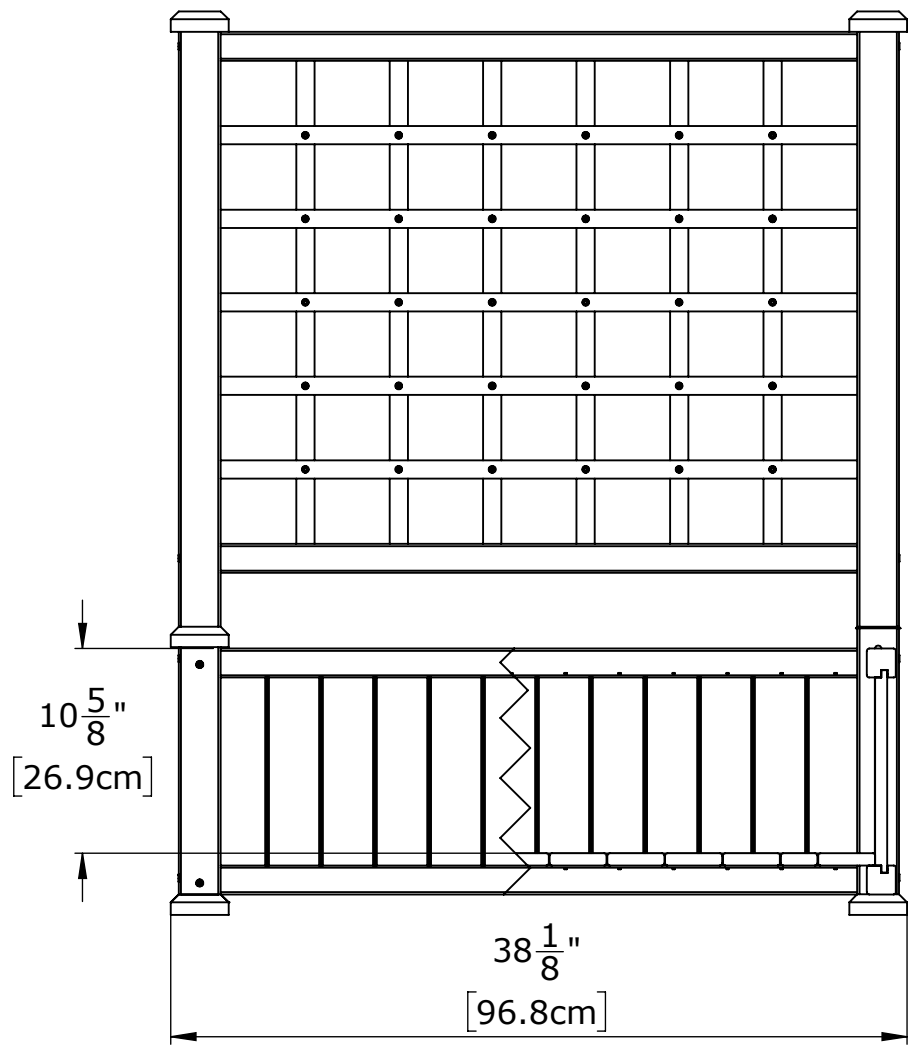
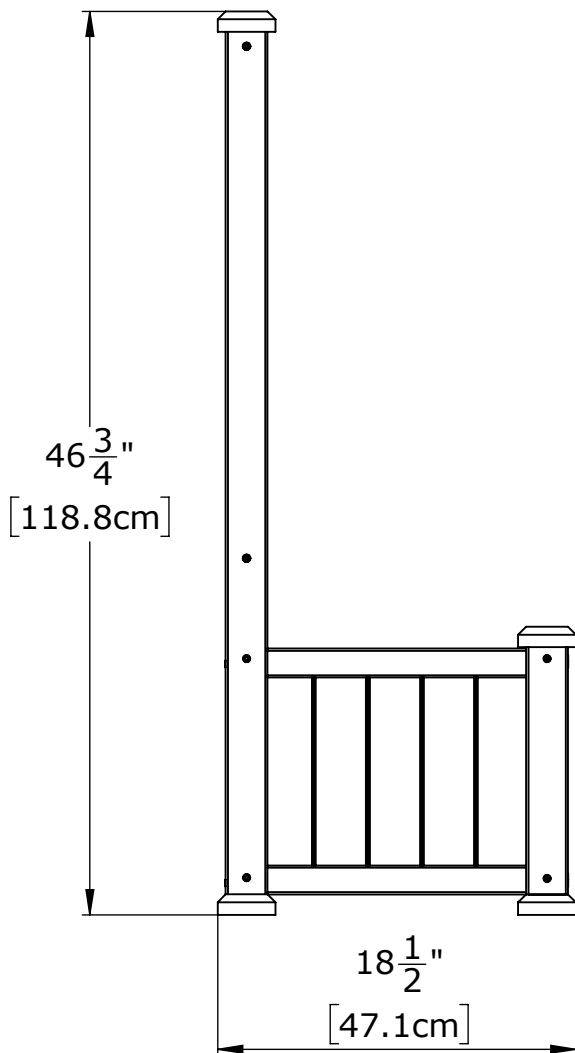
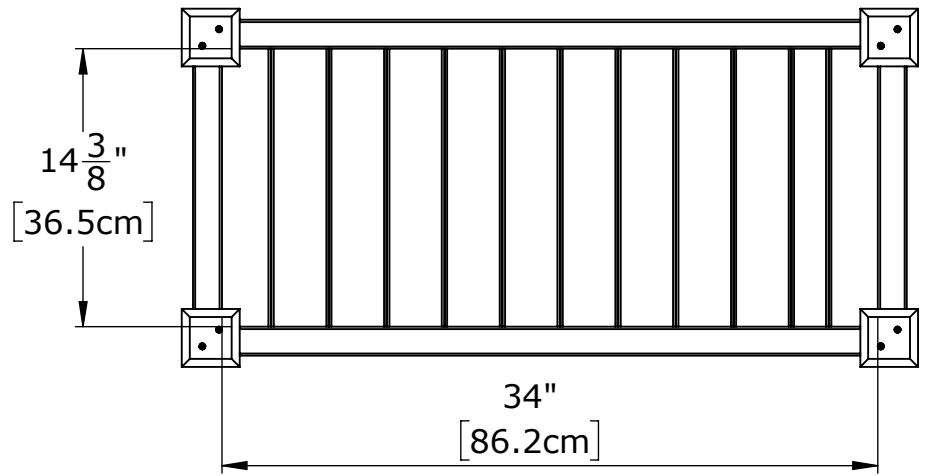
**1-800-282-9346
MONDAY - FRIDAY | 8AM - 5PM EST**



PRODUCT DIMENSIONS

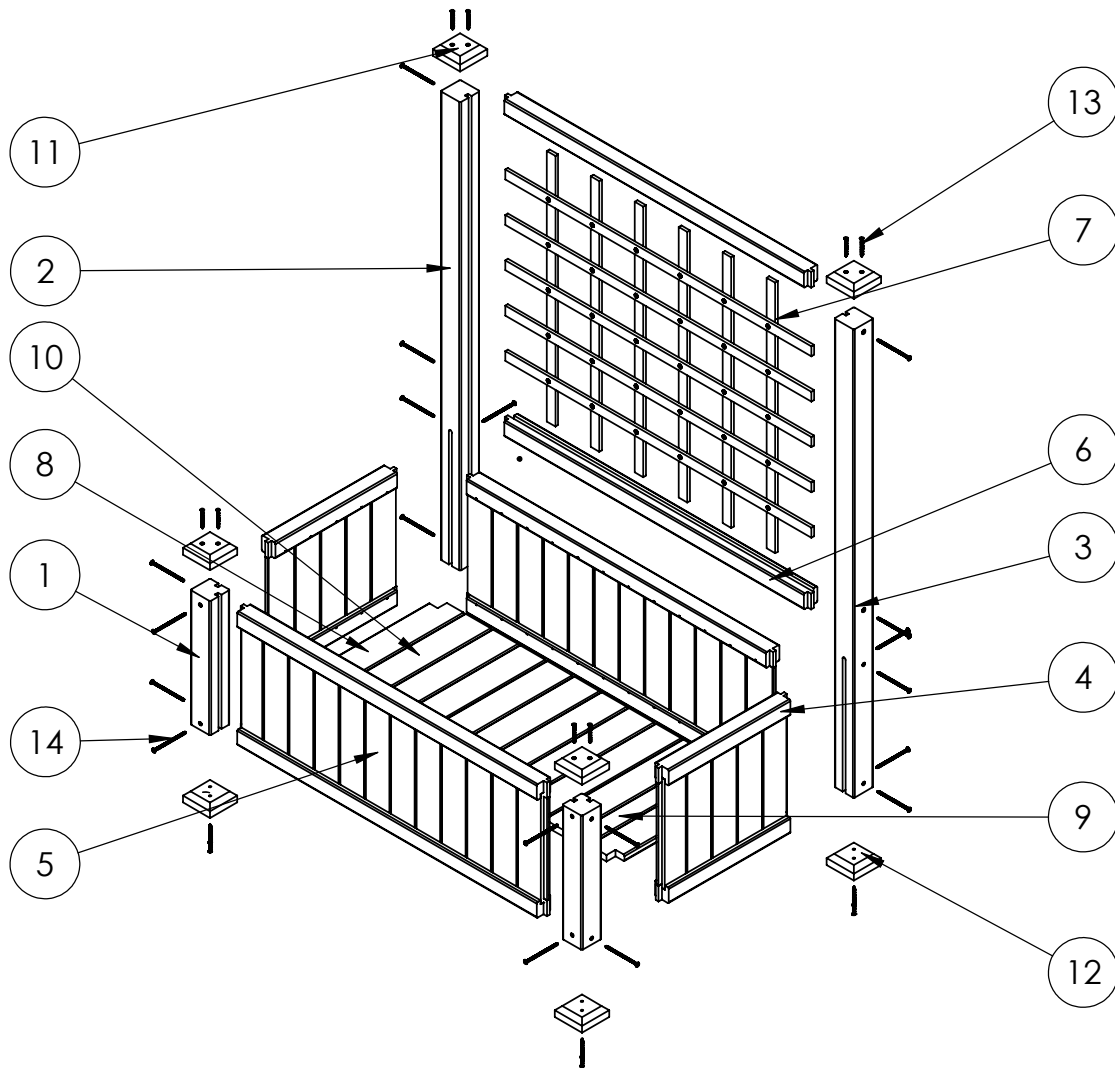
DIMENSIONS DU PRODUIT

DIMENSIONES DEL PRODUCTO



PARTS LIST

LISTE DES PIÈCES
LISTADO DE PIEZAS

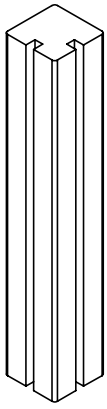


| Item No. | Part Number | Description | Dimensions | Qty. |
|----------|-------------|--------------------|---------------------|------|
| 1 | 17756 | Front Post | 12 3/4" (32.5cm) | 2 |
| 2 | 17757 | Left Back Post | 44 5/8" (113.4cm) | 1 |
| 3 | 17758 | Right Back Post | 44 5/8" (113.4cm) | 1 |
| 4 | 17759 | Short Wall Panel | 14 1/8" (35.9cm) | 2 |
| 5 | 17760 | Long Wall Panel | 33 3/4" (85.6cm) | 2 |
| 6 | 17761 | Lattice Rail | 33 3/4" (85.6cm) | 2 |
| 7 | 17762 | Lattice Assembly | 33 3/4" (85.6cm) | 1 |
| 8 | 17763 | Corner Floor Board | 15 1/4" (38.7cm) | 2 |
| 9 | 17764 | Narrow Floor Board | 15 1/4" (38.7cm) | 1 |
| 10 | 17765 | Center Floor Board | 15 1/4" (38.7cm) | 9 |
| 11 | 17766 | Post Cap | 3" (7.6cm) | 4 |
| 12 | 17767 | Bottom Block | 3" (7.6cm) | 4 |
| 13 | 20063 | Short Wood Screw | M4 - 1 3/4" (4.5cm) | 16 |
| 14 | 20062 | Long Wood Screw | M5 - 3 1/2" (9cm) | 20 |

COMPLETELY UNPACK AND TAKE INVENTORY OF PARTS BEFORE BEGINNING

DEBALLEZ COMPLETEMENT ET FAITES L'INVENTAIRE DES PIECES AVANT DE COMMENCER

ANTES DE COMENZAR, DESEMBALE COMPLETAMENTE EL PRODUCTO Y REALICE UN INVENTARIO DE LAS PIEZAS



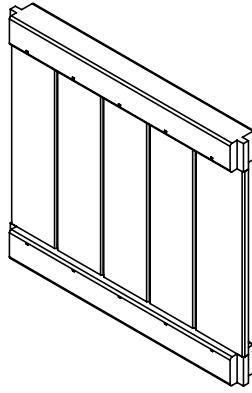
1 2X



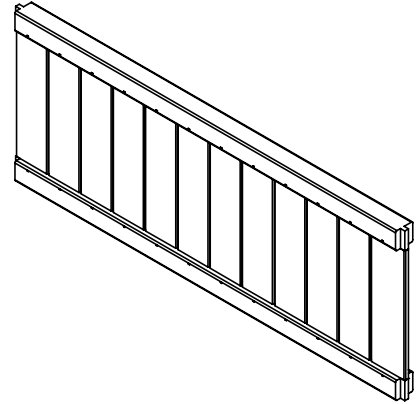
2 1X



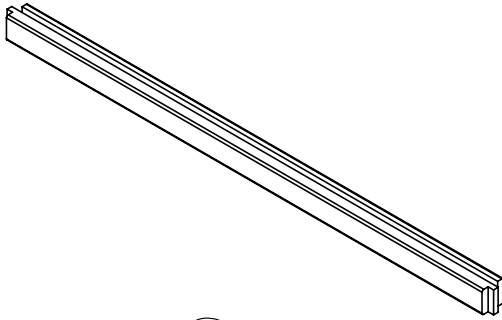
3 1X



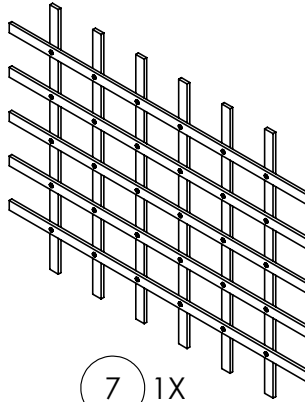
4 2X



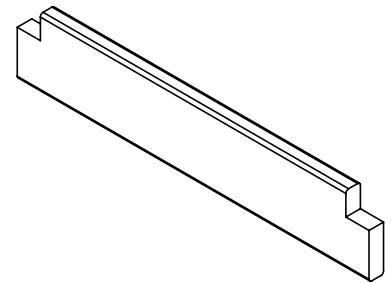
5 2X



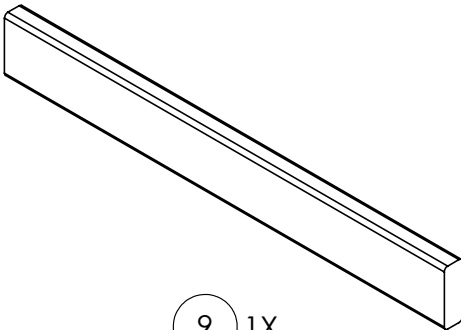
6 2X



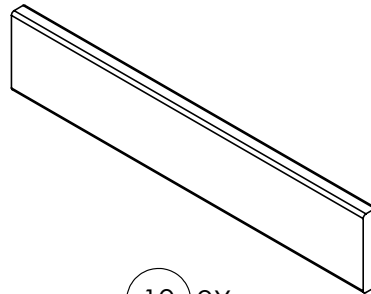
7 1X



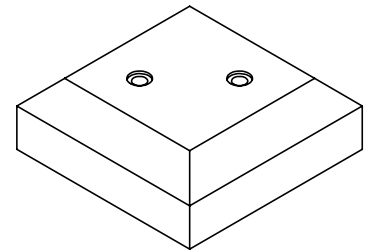
8 2X



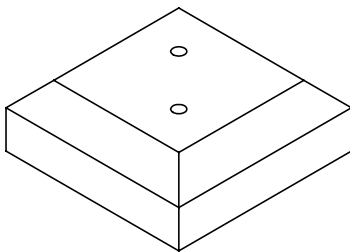
9 1X



10 9X



11 4X



12 4X



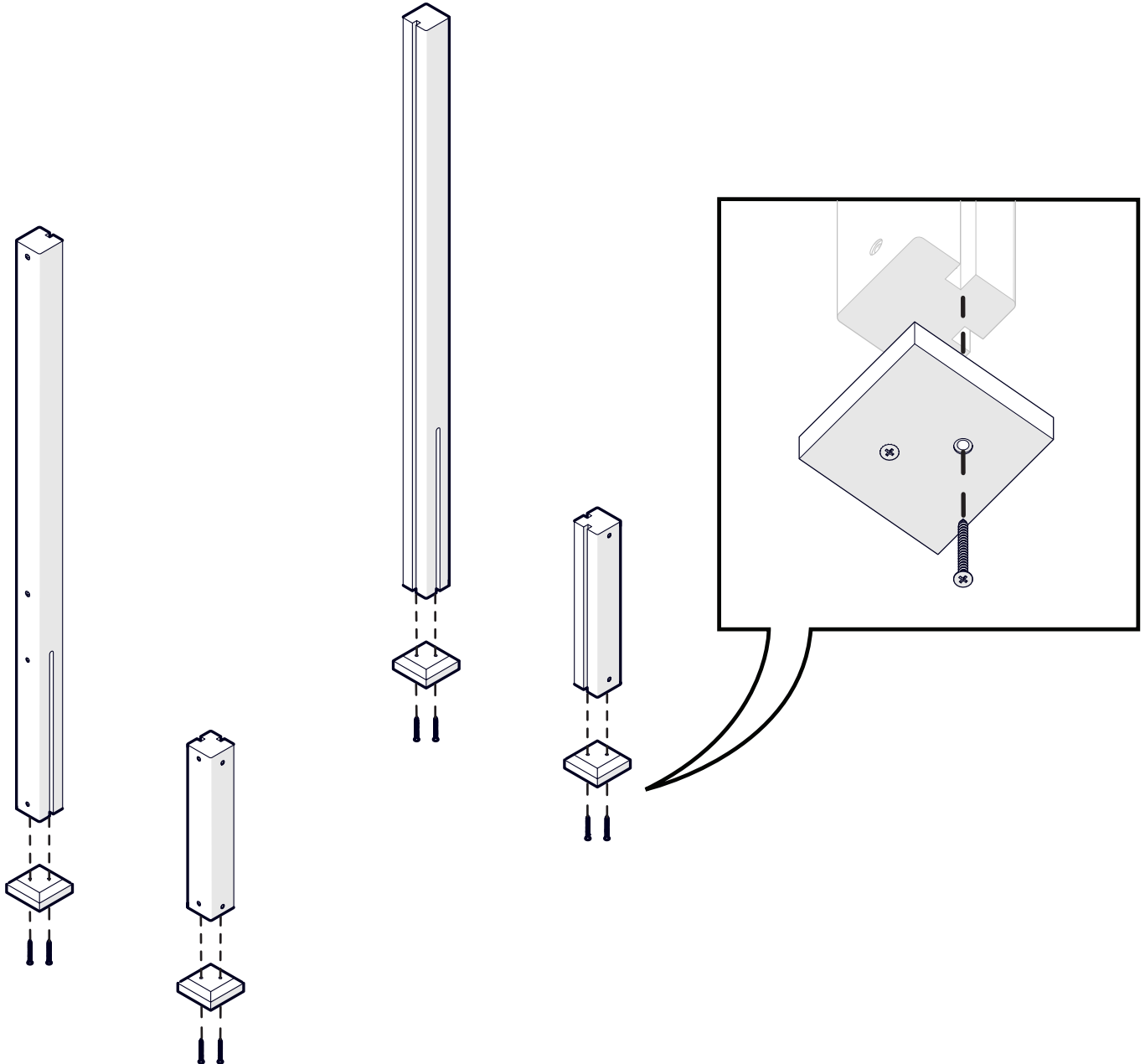
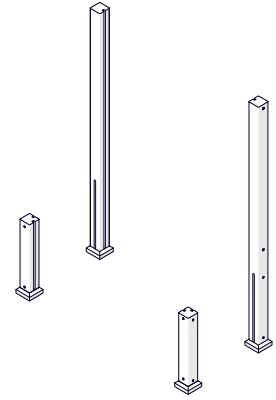
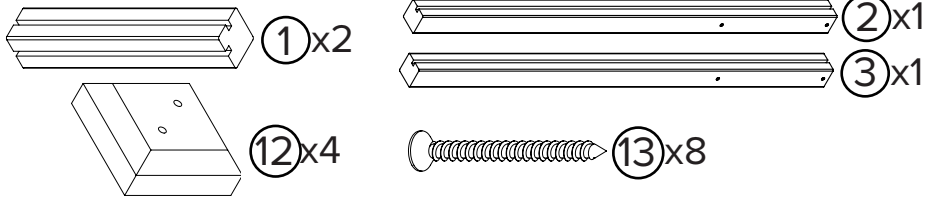
13 16X



14 20X

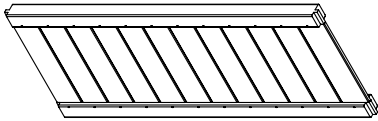
ATTACH THE BOTTOM BLOCK TO THE LONG AND SHORT POSTS

ATTACHEZ LE BLOC INFÉRIEUR AUX POTEAUX LONGS ET COURTS
UNA LOS BLOQUES INFERIORES A LOS POSTES LARGOS Y CORTOS



2 SECURE THE BACK POSTS AND THE BACK WALL BOARD

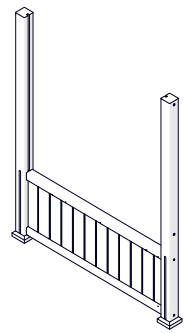
ATTACHEZ ET FIXEZ LES PANNEAUX MURAUX COURTS AUX POTEAUX COURTS
UNA Y ASEGURE LOS LATERALES CORTOS A LOSPOSTES CORTOS



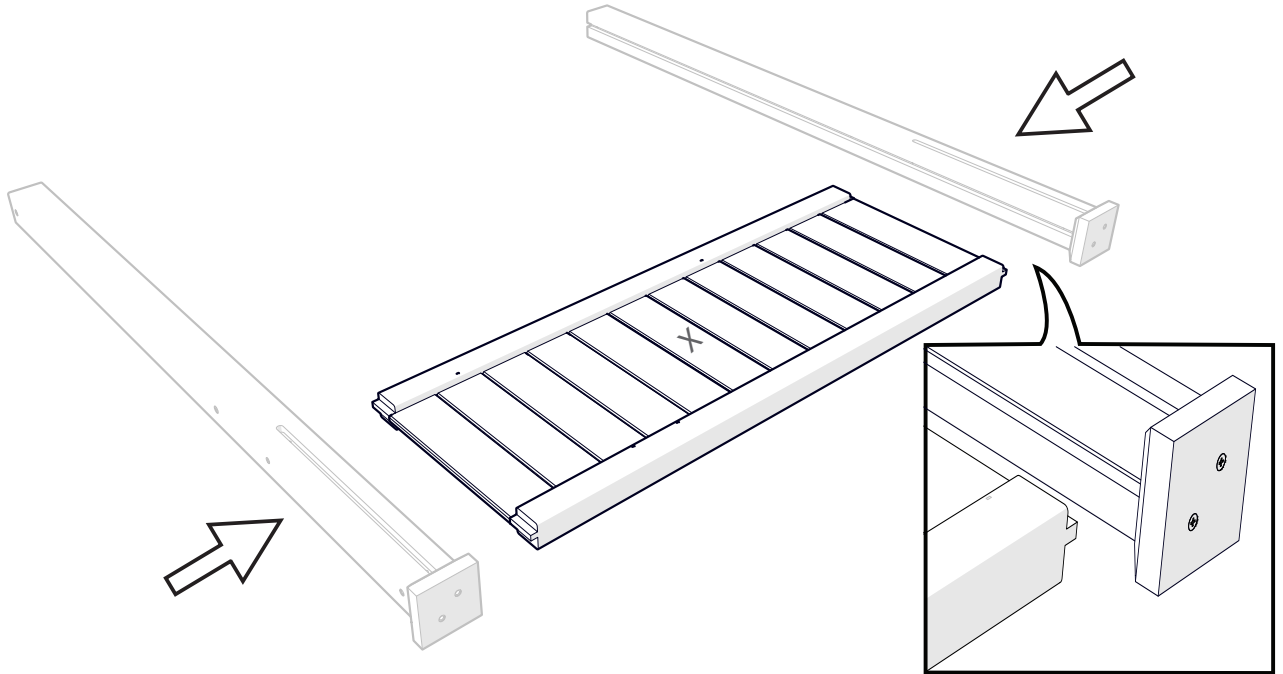
⑤x1



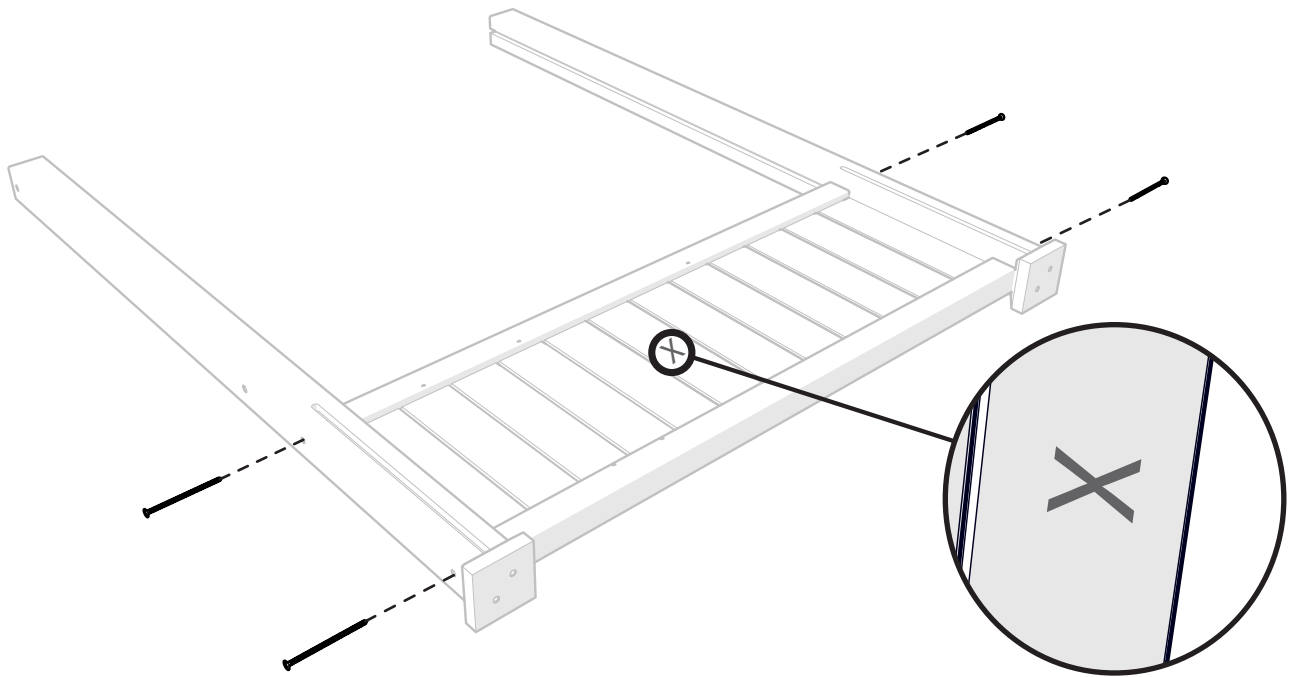
⑭x4



2A

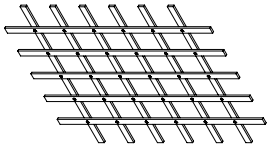


2B



3 ASSEMBLE THE TRELLIS

ASSEMBLEZ LE TREILLIS
ARME EL ENREJADO



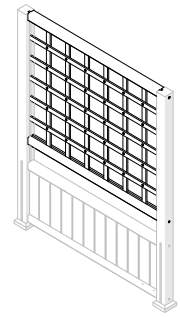
⑦x1



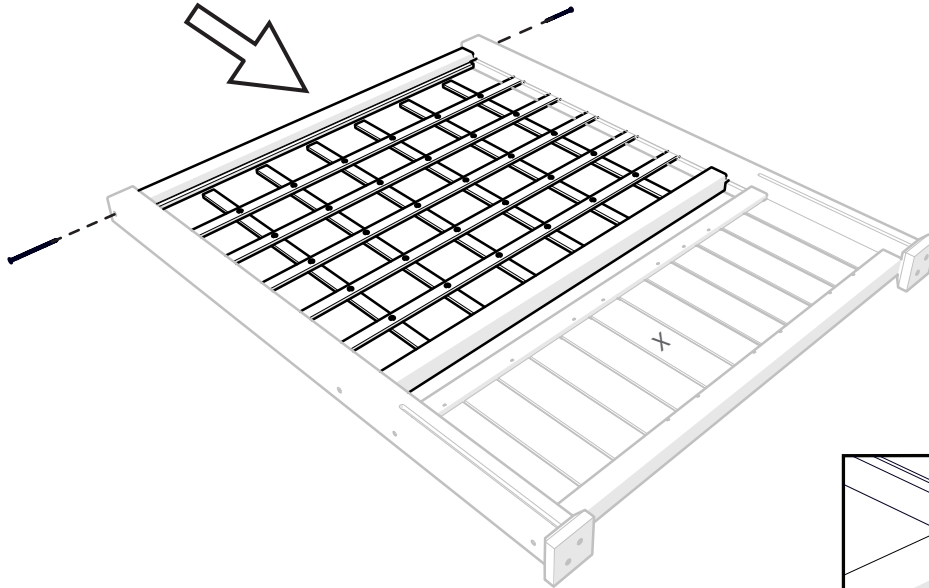
⑭x4



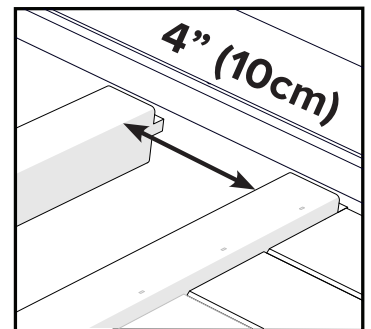
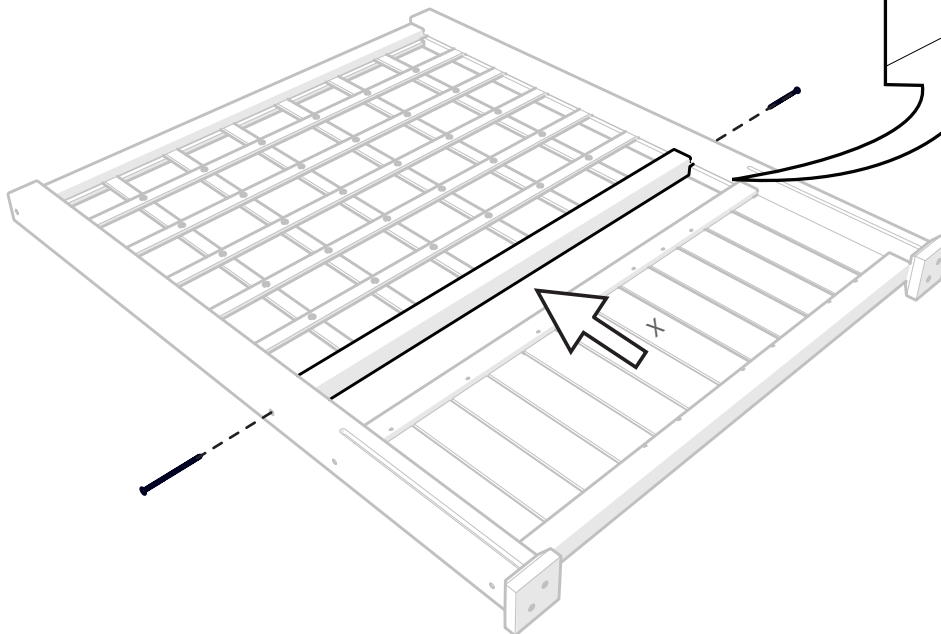
⑥x2



3A

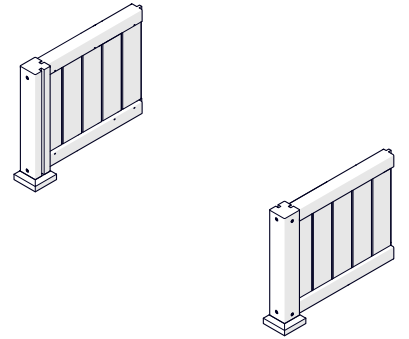
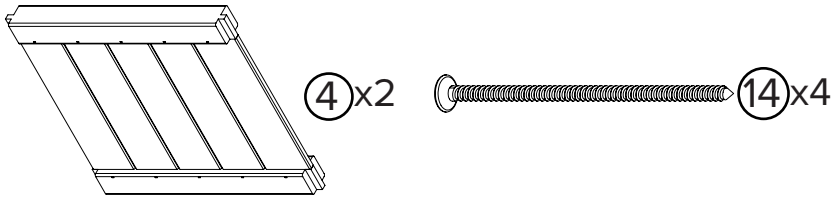


3B

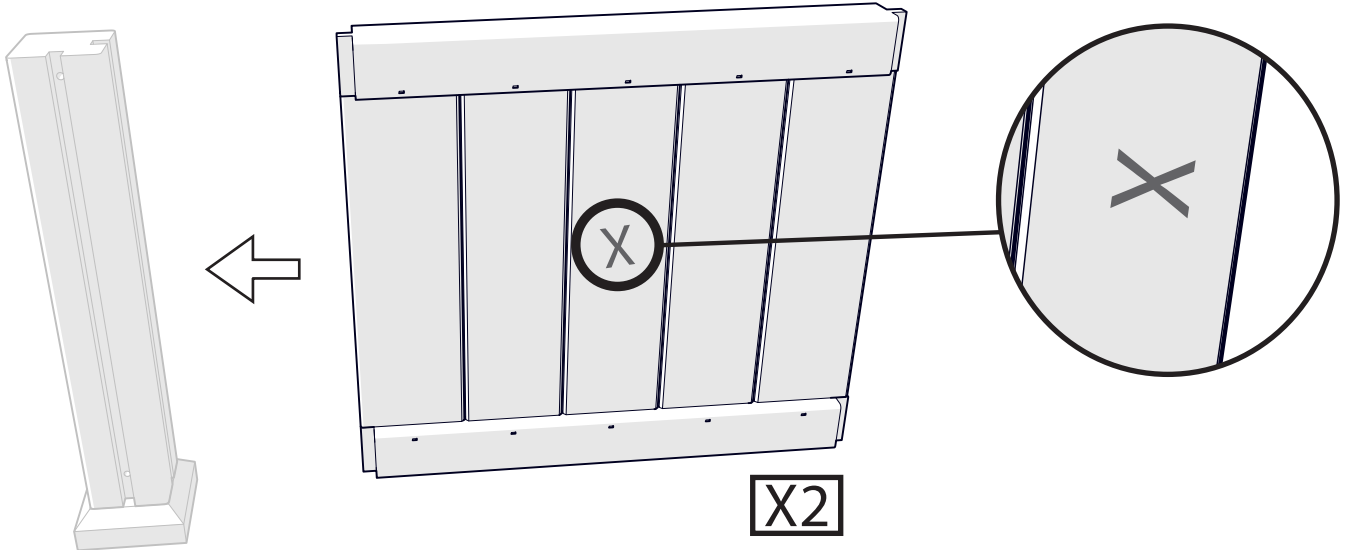


4 ATTACH AND SECURE THE SHORT WALL PANELS TO THE SHORT POSTS

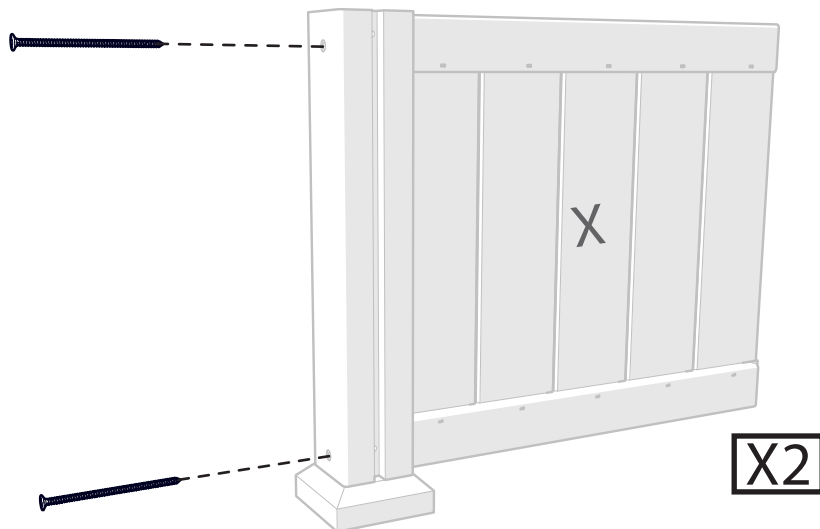
ATTACHEZ ET FIXEZ LES PANNEAUX MURAUX COURTS AUX POTEAUX COURTS
UNA Y ASEGURE LOS LATERALES CORTOS A LOS POSTES CORTOS



4A



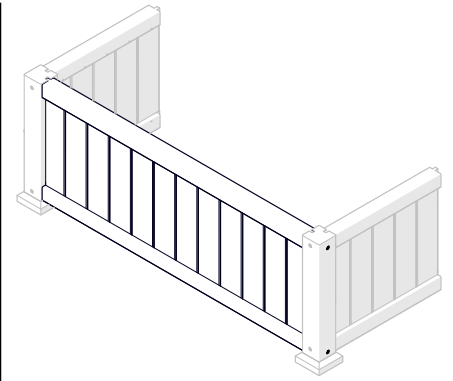
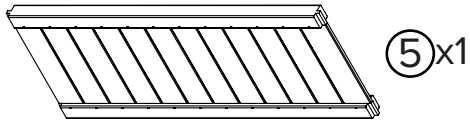
4B



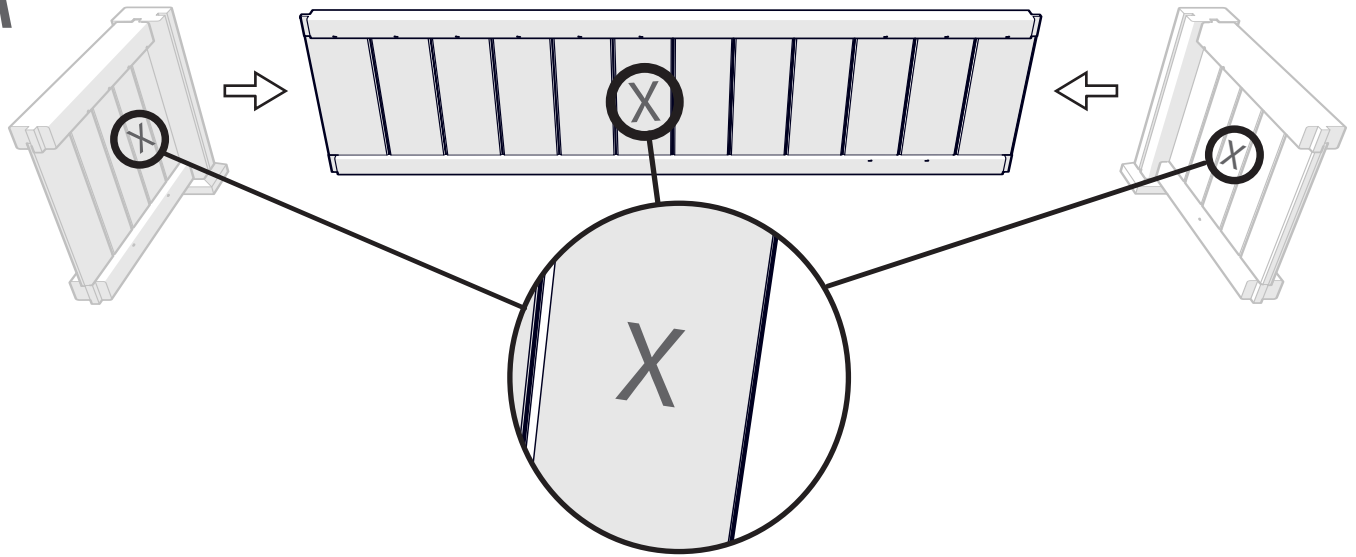
5 ATTACH THE SHORT WALL PANELS TO THE LONG WALL PANEL, THEN SECURE THE SHORT POSTS

ATTACHEZ LES PANNEAUX MURAUX COURTS AU PANNEAU MURAL LONG, PUIS FIXES LES POTEAUX COURTS

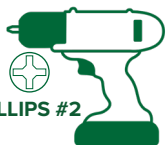
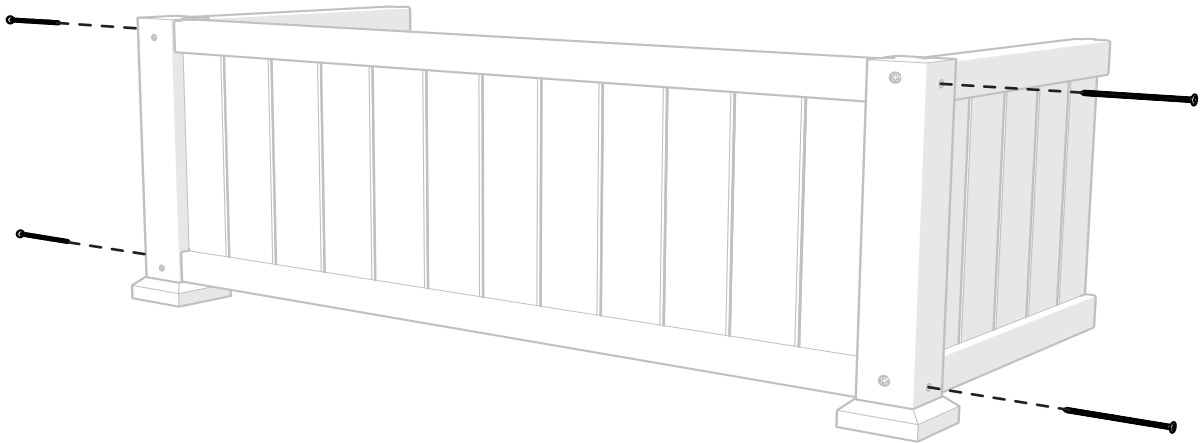
UNA LOS LATERALES CORTOS AL PANEL LARGO, LUEGO ASEGURE LOS POSTES CORTOS



5A



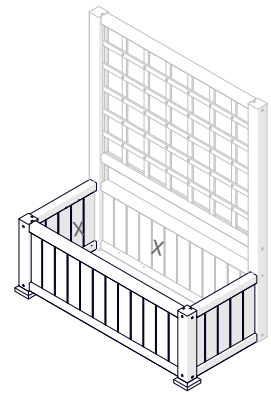
5B



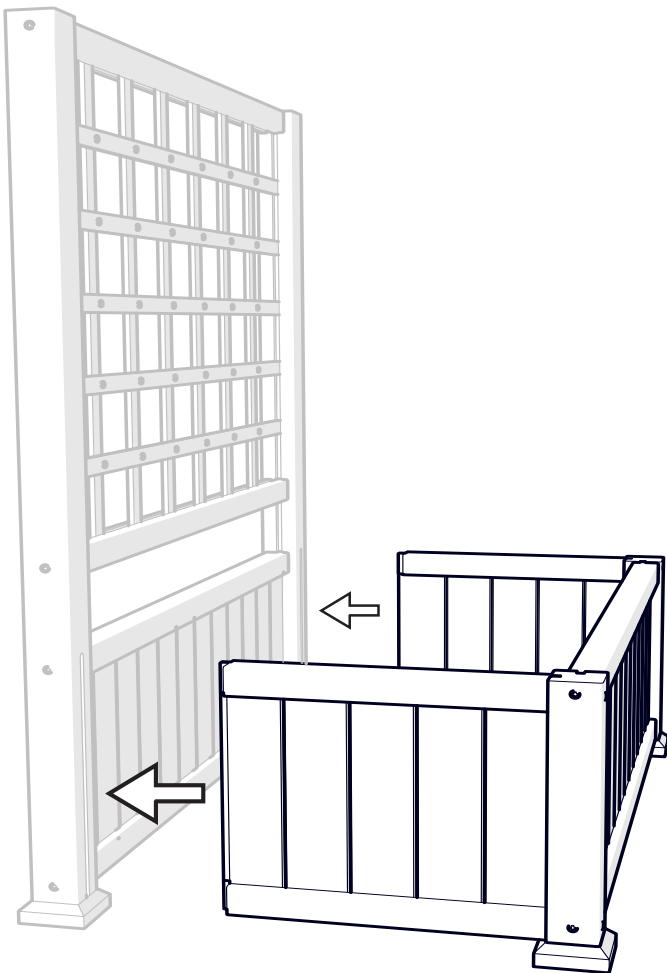
PHILLIPS #2

6 ATTACH THE FRONT ASSEMBLY TO THE LATTICE ASSEMBLY, THEN SECURE THE LONG POSTS

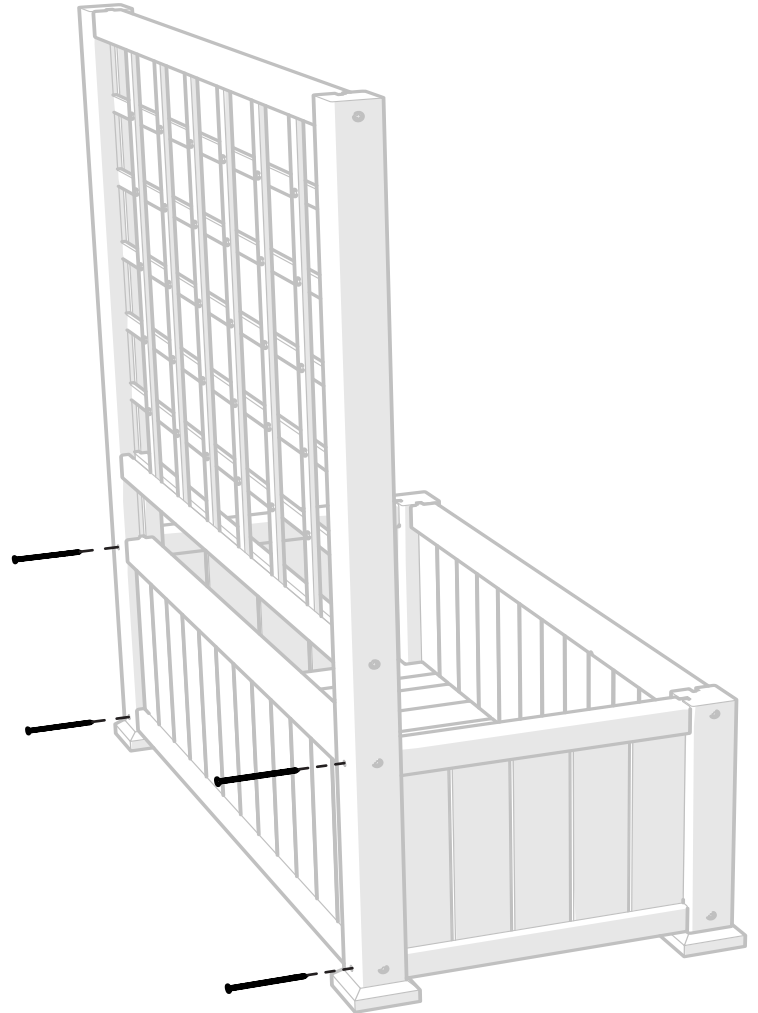
ATTACHEZ L'ASSEMBLAGE DE DEVANT A L'ASSEMBLAGE DU TREILLIS, PUIS FIXEZ LES POTEAUX LONGS
UNA LA PARTE FRONTAL ENSAMBLADA A LA PARTE DEL NREJADO, LUEGO ASEGURE LOS POSTES LARGOS



6A

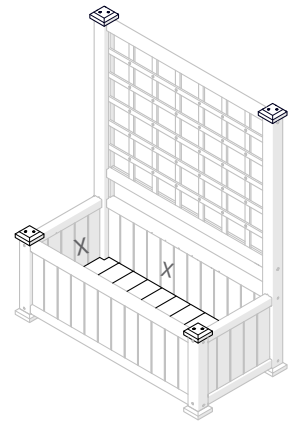
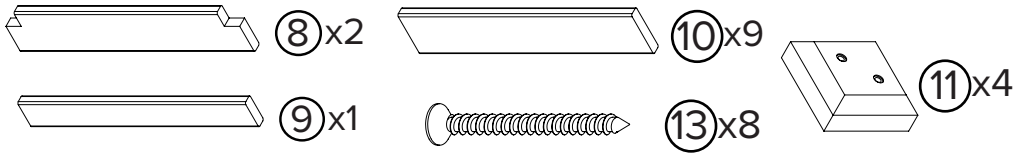


6B

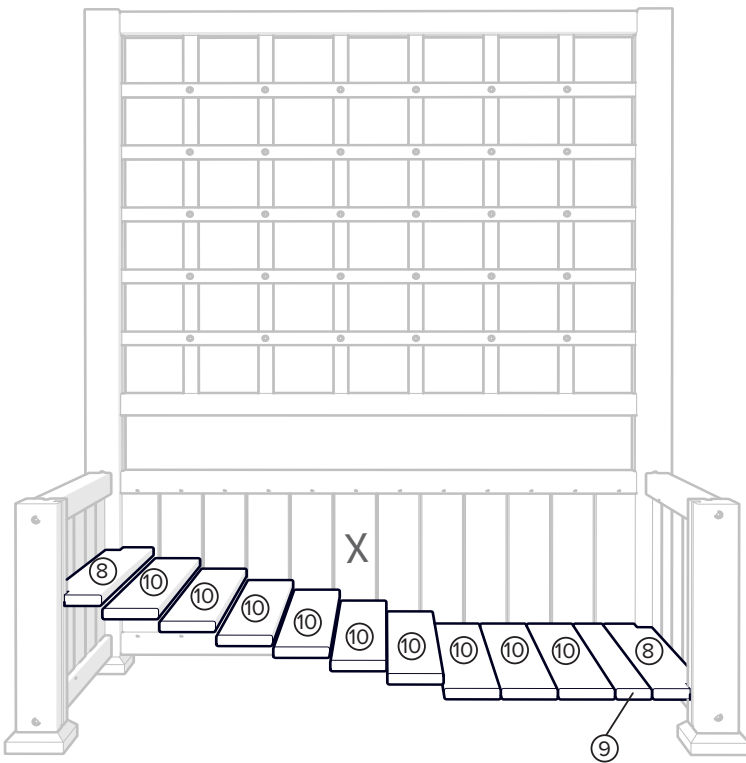


7 PLACE DOWN THE FLOOR BOARDS AND SECURE THE POST CAPS

METTEZ EN PLACE LES LATTES DU PLANCHER ET FIXEZ LES EMBOUTS DE POTEAUX
COLOQUE LAS TABLAS DEL SUELO Y ASEGURE LAS TAPAS DE LOS POSTESH



7A



7B

