

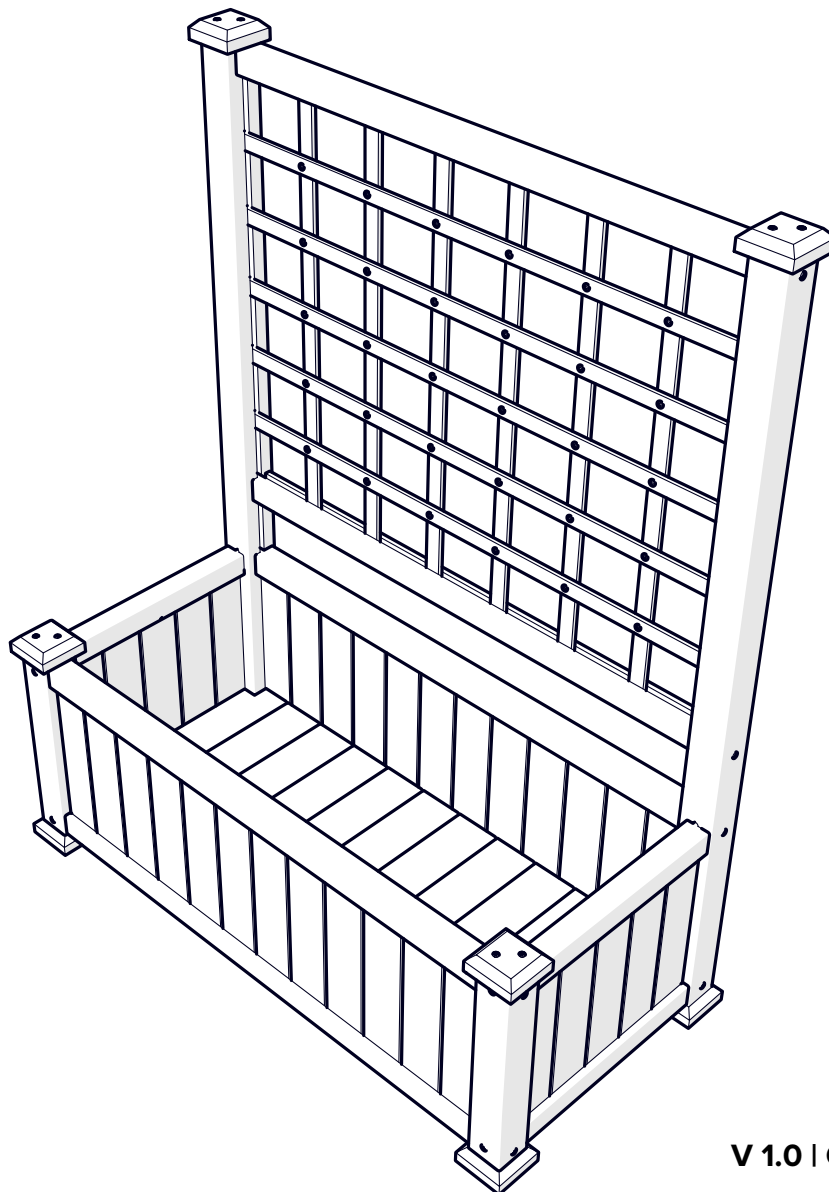


ASSEMBLY GUIDE  
GUIDE DE MONTAGE  
GUÍA DE MONTAJE

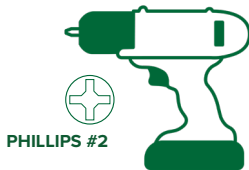
# ROSEWOOD PLANTER

JARDINIÈRE ROSEWOOD  
PLANTADORA DE ROSEWOOD

**VT17735**



V 1.0 | OCTOBER 19, 2021



**85 L (Liters)  
or  
3.0 Ft<sup>3</sup> (Cubic Feet)**

**REQUIRED TOOLS AND MATERIALS (NOT INCLUDED)  
OUTILS ET MATÉRIAUX REQUIS (NON INCLUS)  
HERRAMIENTAS Y MATERIALES REQUERIDOS (NO INCLUIDOS)**



**HELLO@WEAREVITA.COM**



**VISIT [WWW.WEAREVITA.COM](http://WWW.WEAREVITA.COM)  
CLICK 'CHAT'**



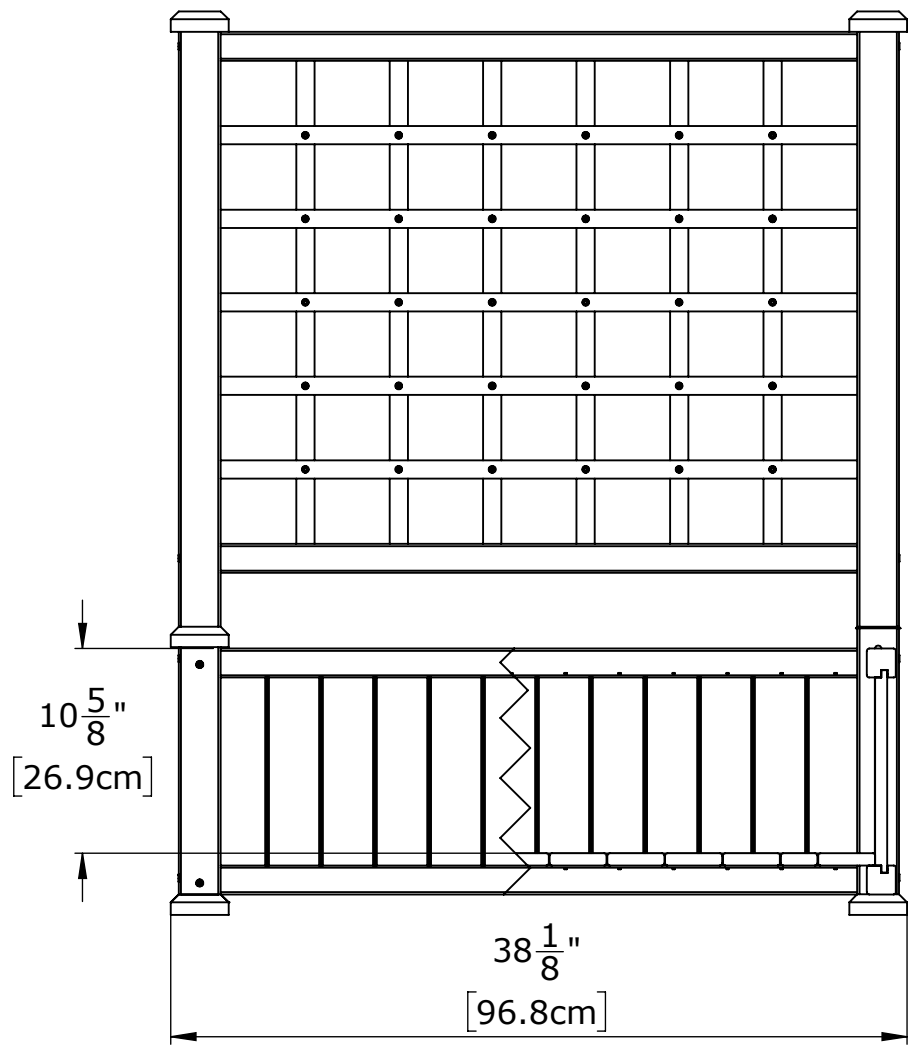
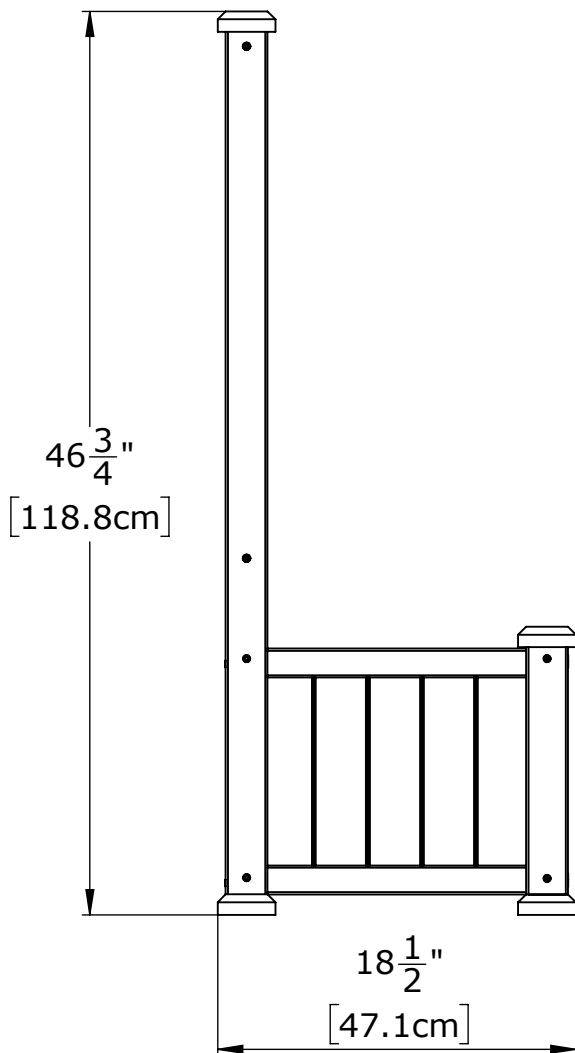
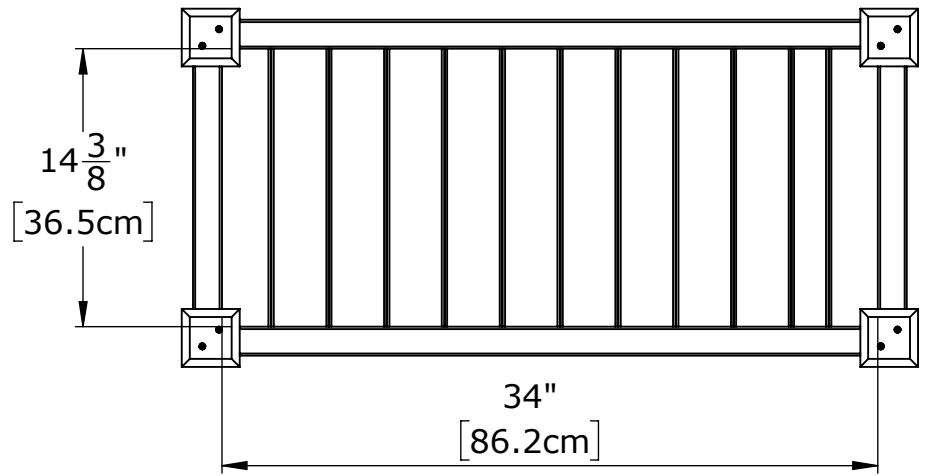
**1-800-282-9346  
MONDAY - FRIDAY | 8AM - 5PM EST**



PRODUCT DIMENSIONS

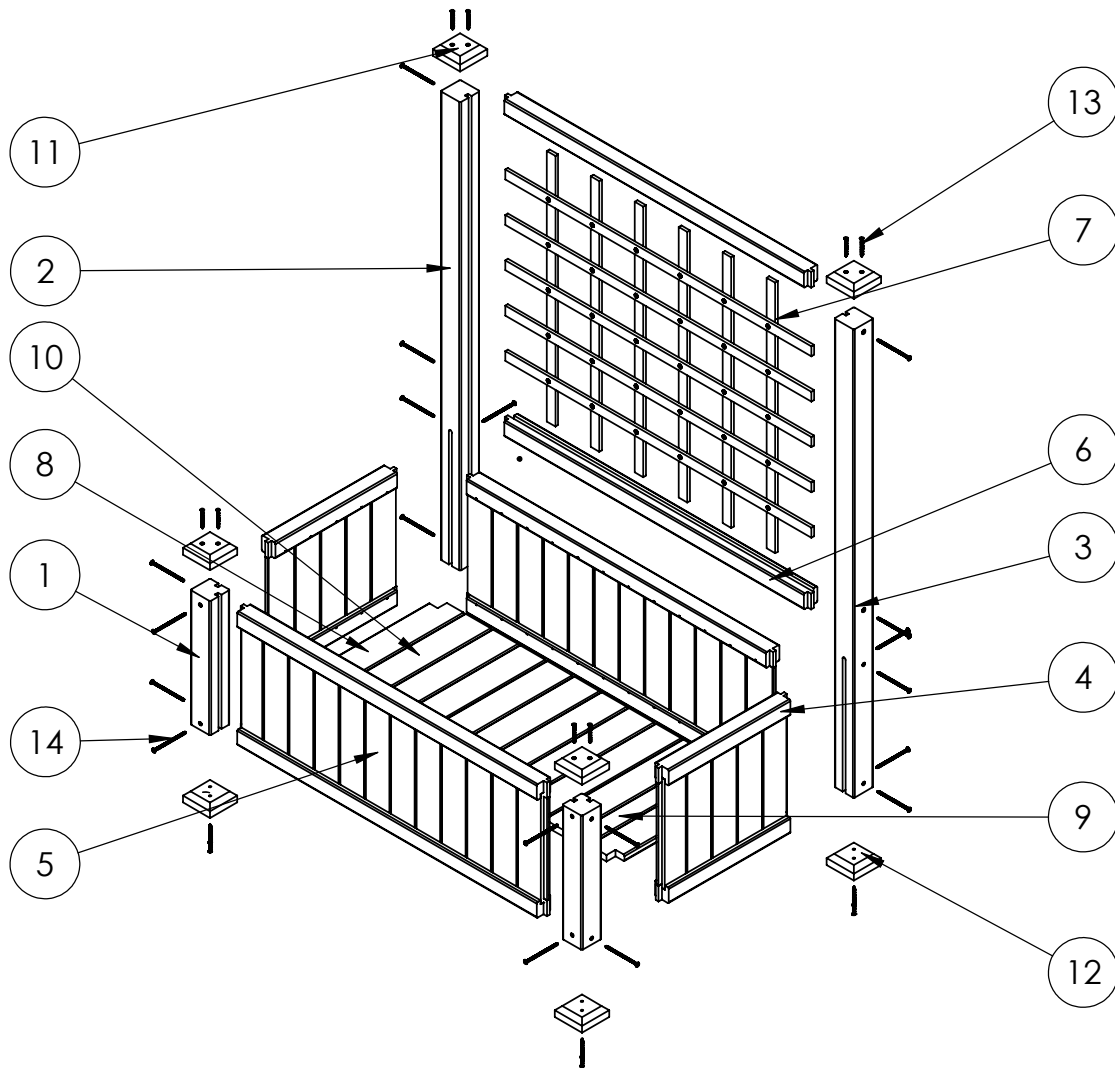
DIMENSIONS DU PRODUIT

DIMENSIONES DEL PRODUCTO



# PARTS LIST

LISTE DES PIÈCES  
LISTADO DE PIEZAS

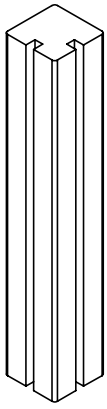


Item No.	Part Number	Description	Dimensions	Qty.
1	17756	Front Post	12 3/4" (32.5cm)	2
2	17757	Left Back Post	44 5/8" (113.4cm)	1
3	17758	Right Back Post	44 5/8" (113.4cm)	1
4	17759	Short Wall Panel	14 1/8" (35.9cm)	2
5	17760	Long Wall Panel	33 3/4" (85.6cm)	2
6	17761	Lattice Rail	33 3/4" (85.6cm)	2
7	17762	Lattice Assembly	33 3/4" (85.6cm)	1
8	17763	Corner Floor Board	15 1/4" (38.7cm)	2
9	17764	Narrow Floor Board	15 1/4" (38.7cm)	1
10	17765	Center Floor Board	15 1/4" (38.7cm)	9
11	17766	Post Cap	3" (7.6cm)	4
12	17767	Bottom Block	3" (7.6cm)	4
13	20063	Short Wood Screw	M4 - 1 3/4" (4.5cm)	16
14	20062	Long Wood Screw	M5 - 3 1/2" (9cm)	20

# COMPLETELY UNPACK AND TAKE INVENTORY OF PARTS BEFORE BEGINNING

DEBALLEZ COMPLETEMENT ET FAITES L'INVENTAIRE DES PIECES AVANT DE COMMENCER

ANTES DE COMENZAR, DESEMBALE COMPLETAMENTE EL PRODUCTO Y REALICE UN INVENTARIO DE LAS PIEZAS



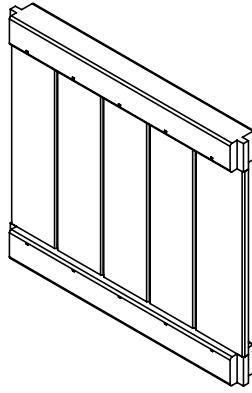
1 2X



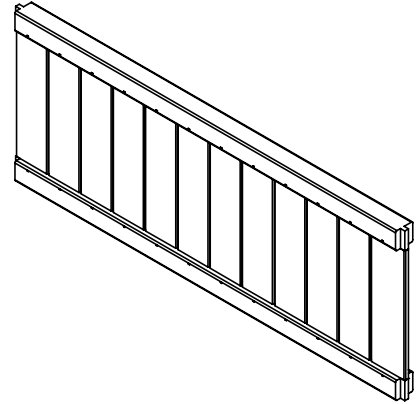
2 1X



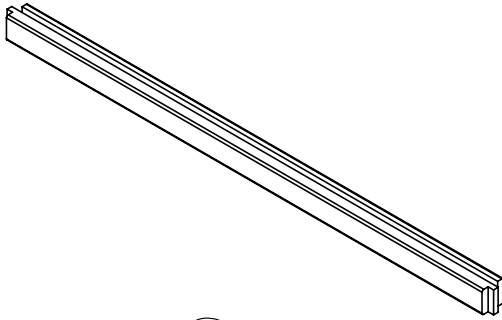
3 1X



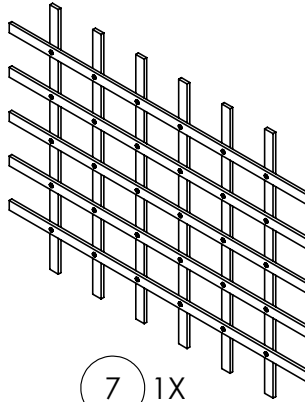
4 2X



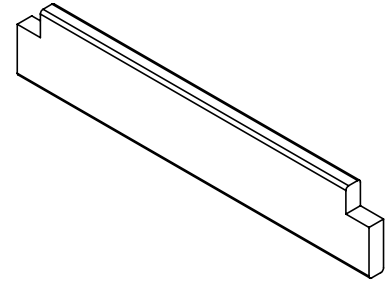
5 2X



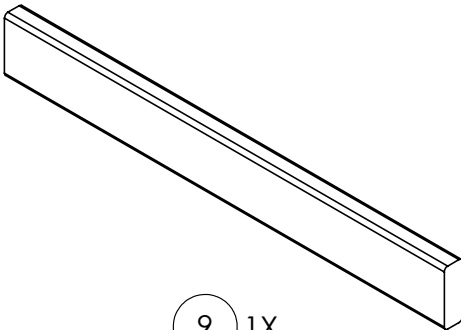
6 2X



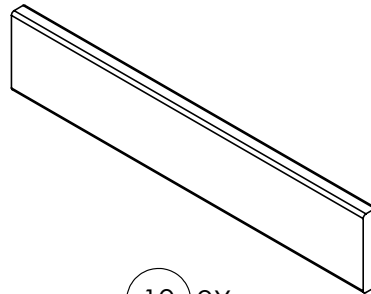
7 1X



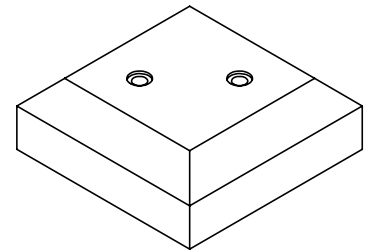
8 2X



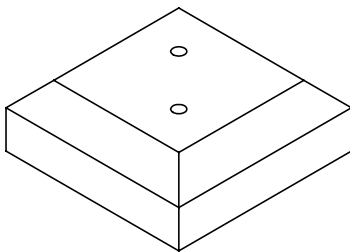
9 1X



10 9X



11 4X



12 4X



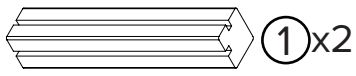
13 16X



14 20X

# ATTACH THE BOTTOM BLOCK TO THE LONG AND SHORT POSTS

ATTACHEZ LE BLOC INFÉRIEUR AUX POTEAUX LONGS ET COURTS  
UNA LOS BLOQUES INFERIORES A LOS POSTES LARGOS Y CORTOS



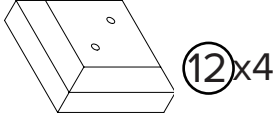
①x2



②x1



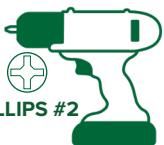
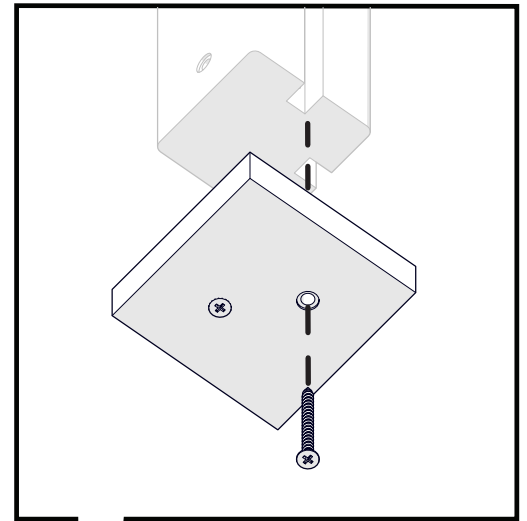
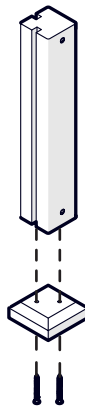
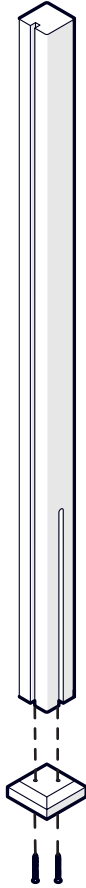
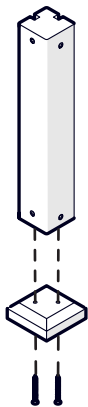
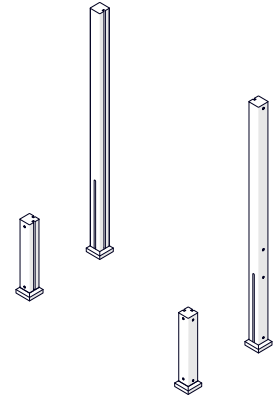
③x1



⑫x4



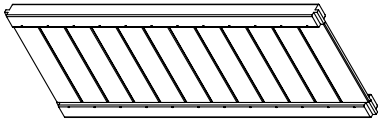
⑬x8



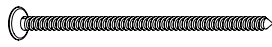
PHILLIPS #2

## 2 SECURE THE BACK POSTS AND THE BACK WALL BOARD

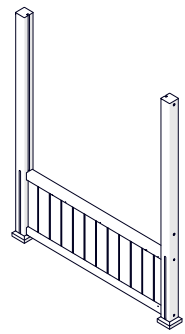
ATTACHEZ ET FIXEZ LES PANNEAUX MURAUX COURTS AUX POTEAUX COURTS  
UNA Y ASEGURE LOS LATERALES CORTOS A LOSPOSTES CORTOS



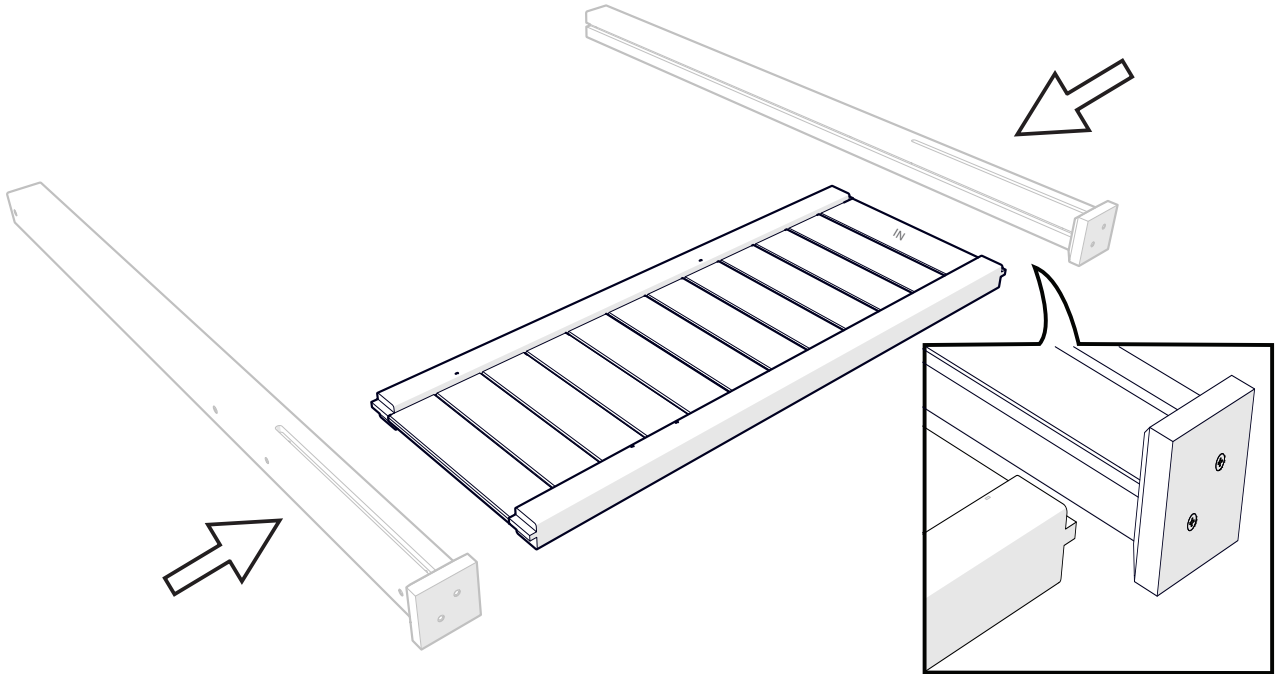
⑤x1



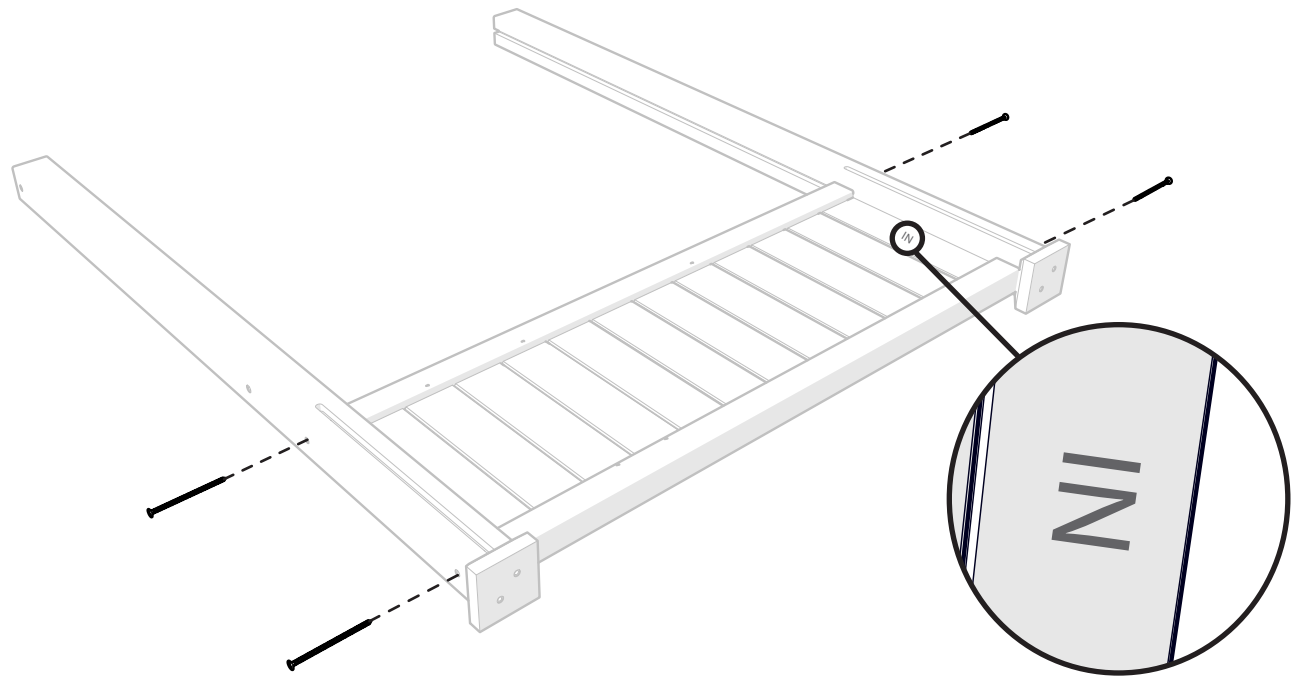
⑭x4



### 2A

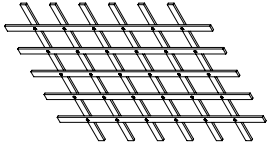


### 2B



# 3 ASSEMBLE THE TRELLIS

ASSEMBLEZ LE TREILLIS  
ARME EL ENREJADO



⑦x1



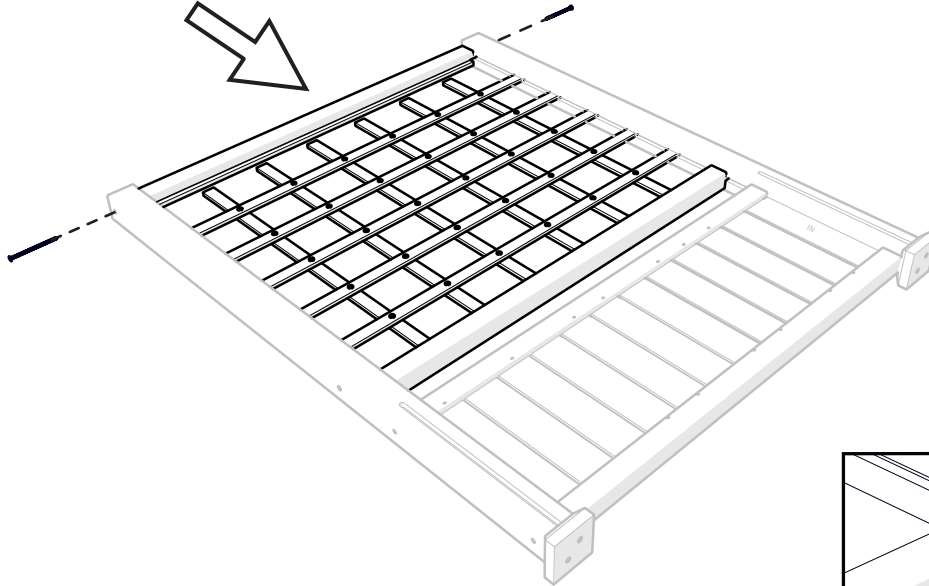
⑭x4



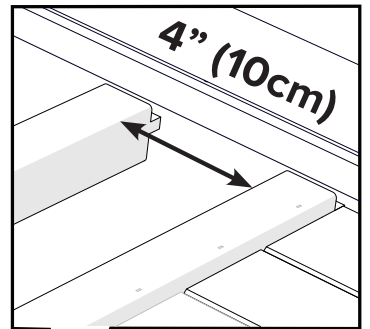
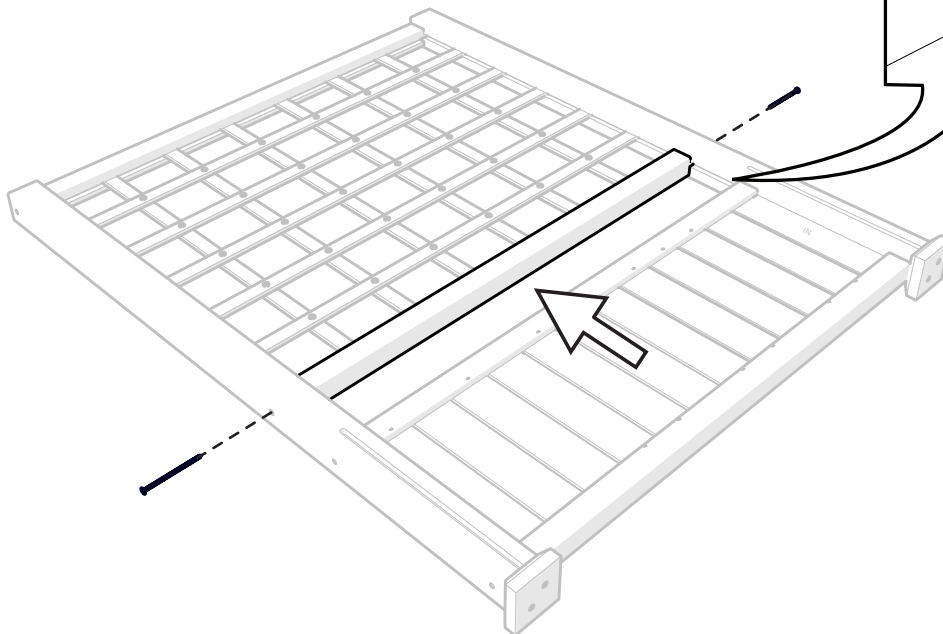
⑥x2



## 3A



## 3B

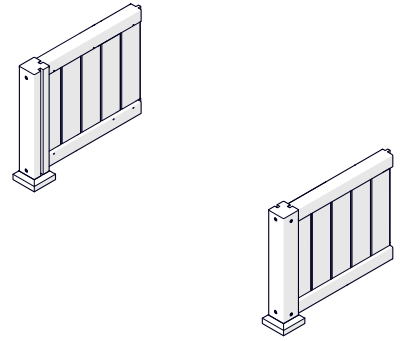
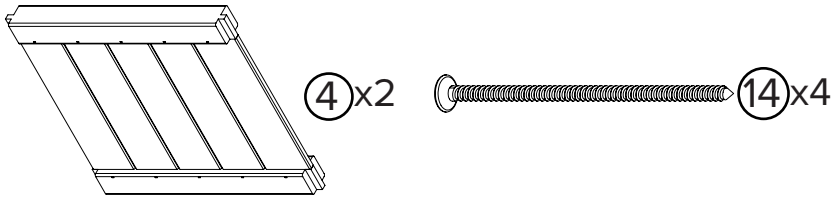


PHILLIPS #2

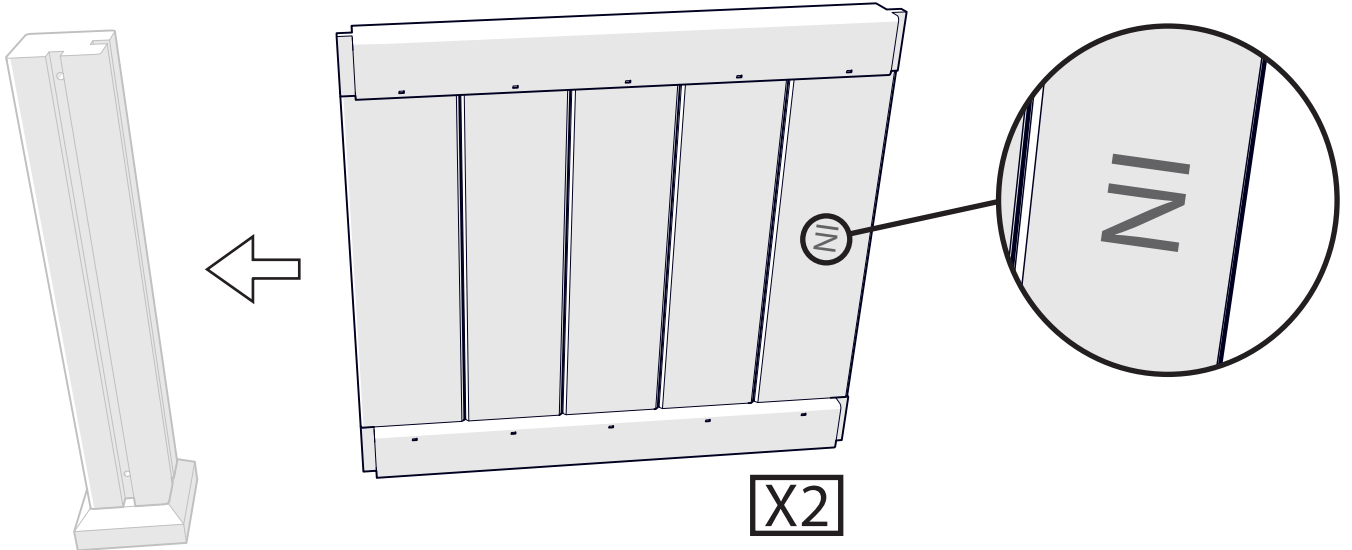


# 4 ATTACH AND SECURE THE SHORT WALL PANELS TO THE SHORT POSTS

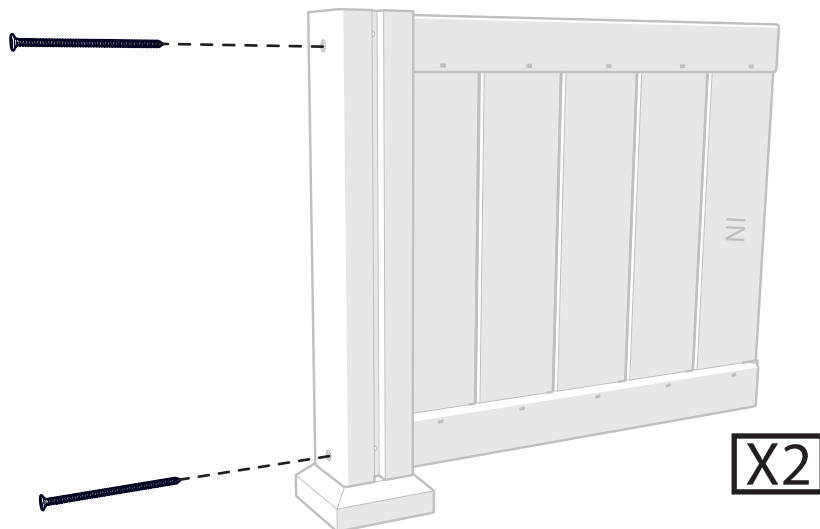
ATTACHEZ ET FIXEZ LES PANNEAUX MURAUX COURTS AUX POTEAUX COURTS  
UNA Y ASEGURE LOS LATERALES CORTOS A LOS POSTES CORTOS



## 4A



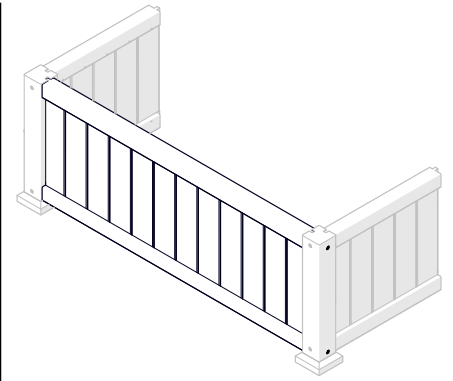
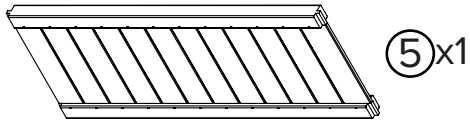
## 4B



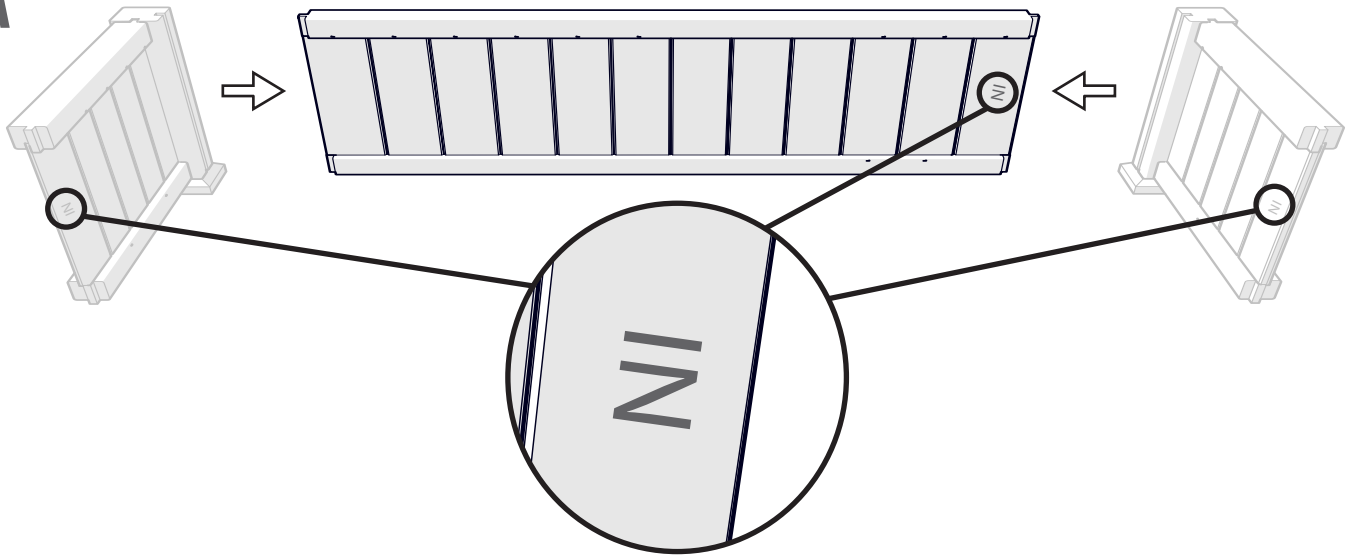
# 5 ATTACH THE SHORT WALL PANELS TO THE LONG WALL PANEL, THEN SECURE THE SHORT POSTS

ATTACHEZ LES PANNEAUX MURAUX COURTS AU PANNEAU MURAL LONG, PUIS FIXES LES POTEAUX COURTS

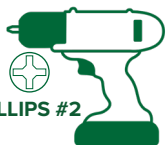
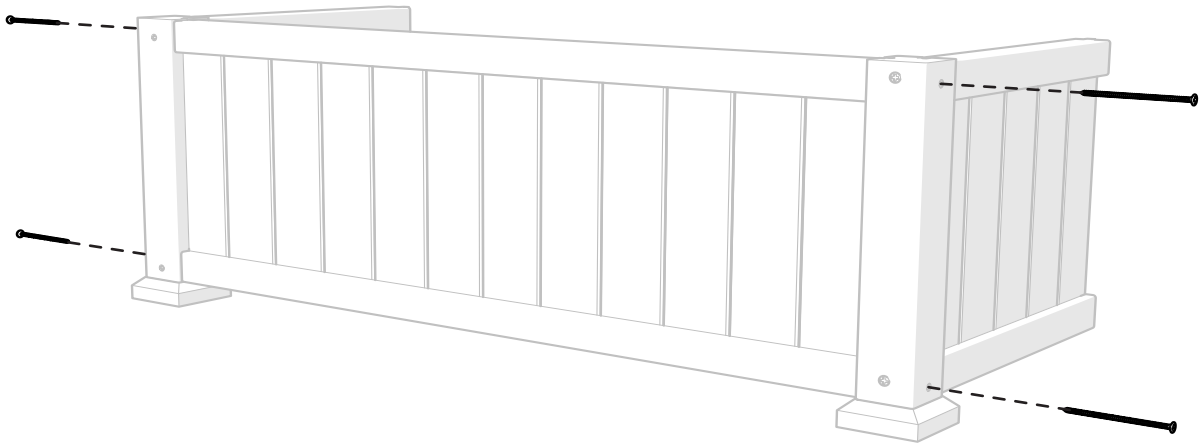
UNA LOS LATERALES CORTOS AL PANEL LARGO, LUEGO ASEGURE LOS POSTES CORTOS



## 5A



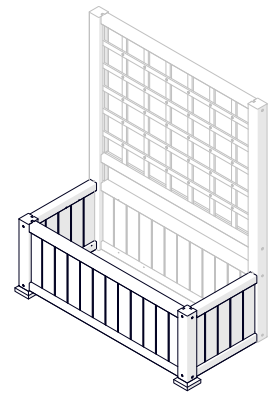
## 5B



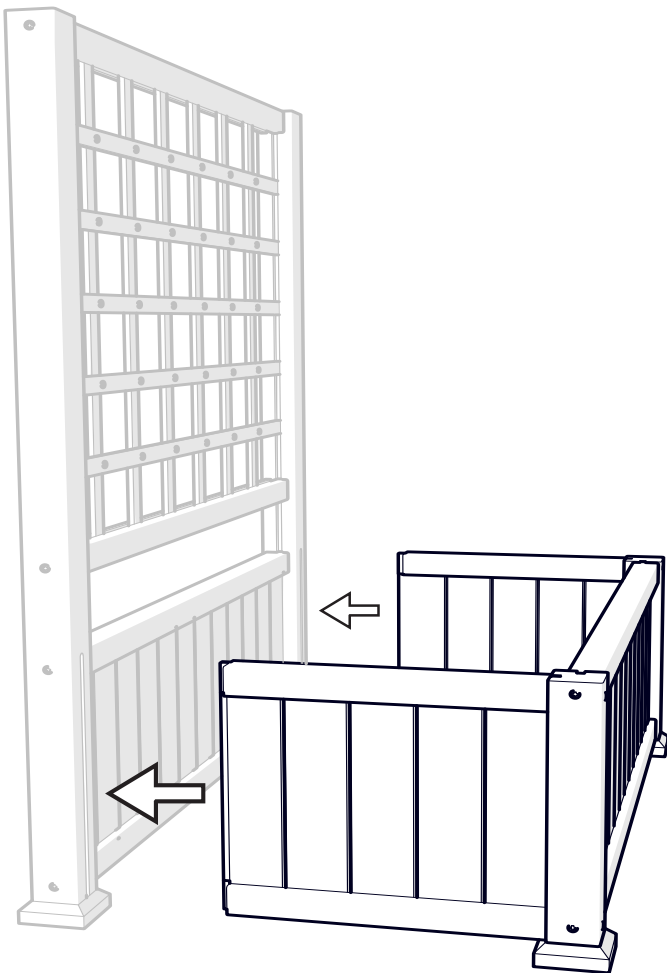
PHILLIPS #2

# 6 ATTACH THE FRONT ASSEMBLY TO THE LATTICE ASSEMBLY, THEN SECURE THE LONG POSTS

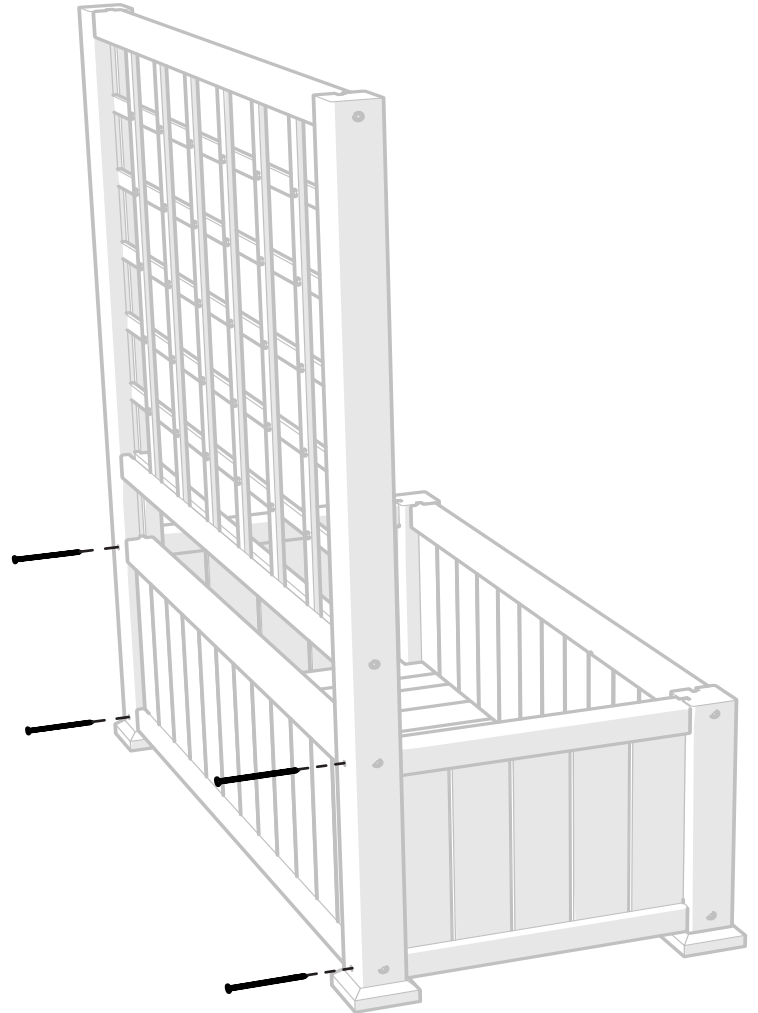
ATTACHEZ L'ASSEMBLAGE DE DEVANT A L'ASSEMBLAGE DU TREILLIS, PUIS FIXEZ LES POTEAUX LONGS  
UNA LA PARTE FRONTAL ENSAMBLADA A LA PARTE DEL NREJADO, LUEGO ASEGURE LOS POSTES LARGOS



## 6A

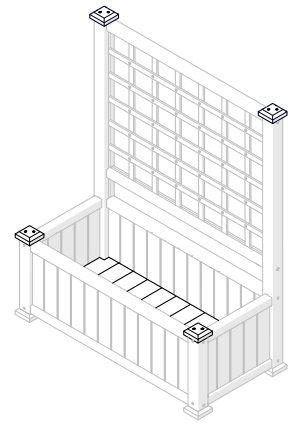
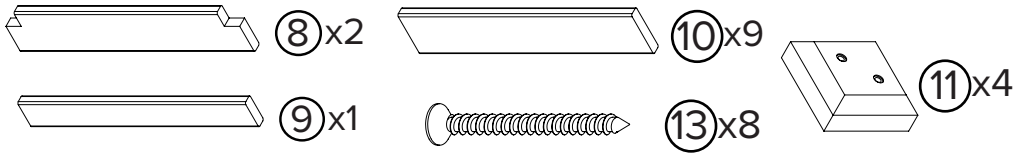


## 6B

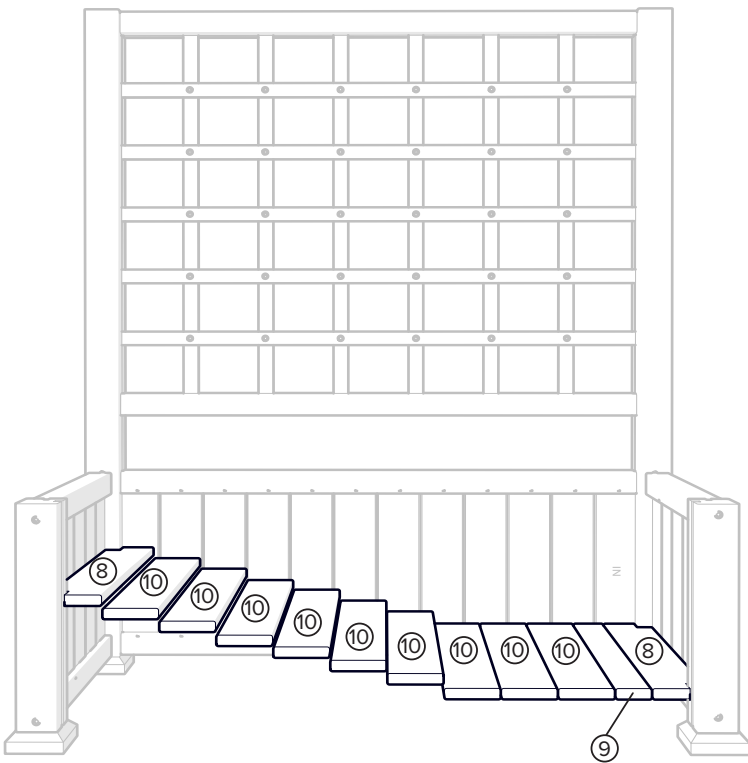


# 7 PLACE DOWN THE FLOOR BOARDS AND SECURE THE POST CAPS

METTEZ EN PLACE LES LATTES DU PLANCHER ET FIXEZ LES EMBOUTS DE POTEAUX  
COLOQUE LAS TABLAS DEL SUELO Y ASEGURE LAS TAPAS DE LOS POSTESH



## 7A



## 7B

