



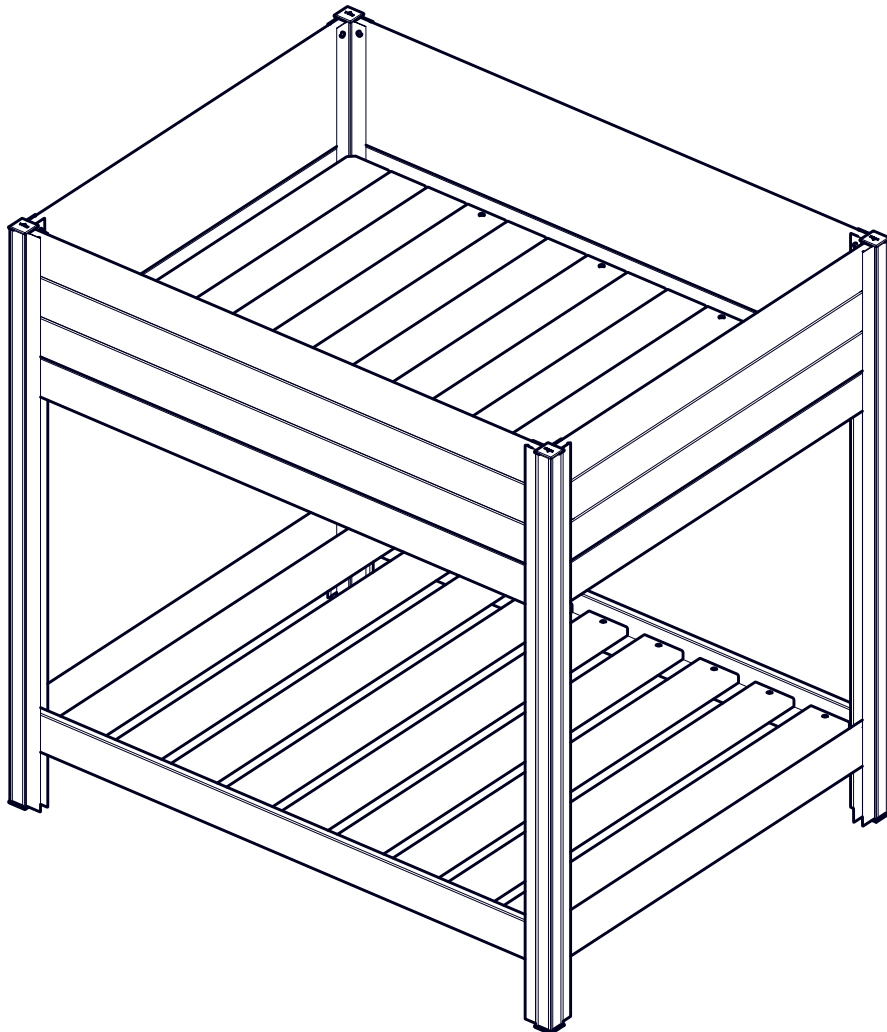
**ASSEMBLY GUIDE
GUIDE DE MONTAGE
GUÍA DE MONTAJE**

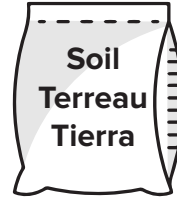
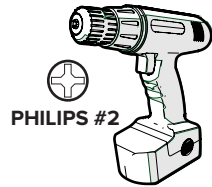
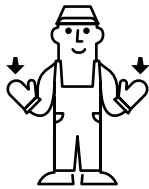
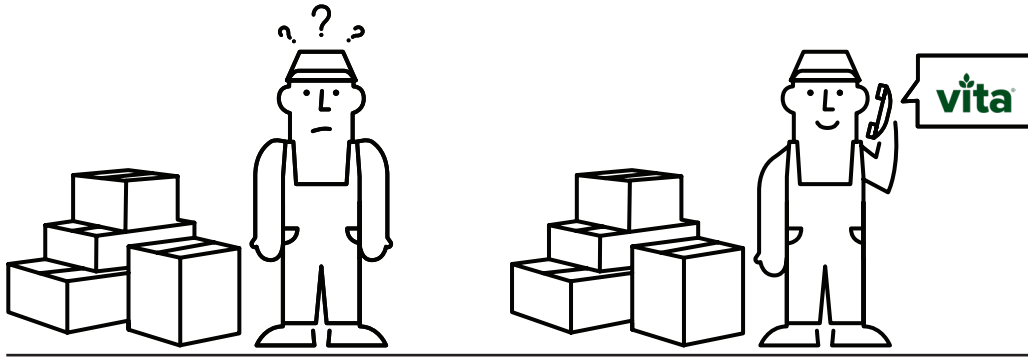
MEZZA

VEG FARM

**FERME VÉGÉTARIENNE
GRANJA DE VERDURAS**

VT17717





REQUIRED TOOLS AND MATERIALS (NOT INCLUDED)
OUTILS ET MATÉRIAUX REQUIS (NON INCLUS)
HERRAMIENTAS Y MATERIALES REQUERIDOS (NO INCLUIDOS)

171 L (Liters)
or
6 Ft³ (Cubic Feet)



1-800-282-9346



HELLO@WEAREVITA.COM



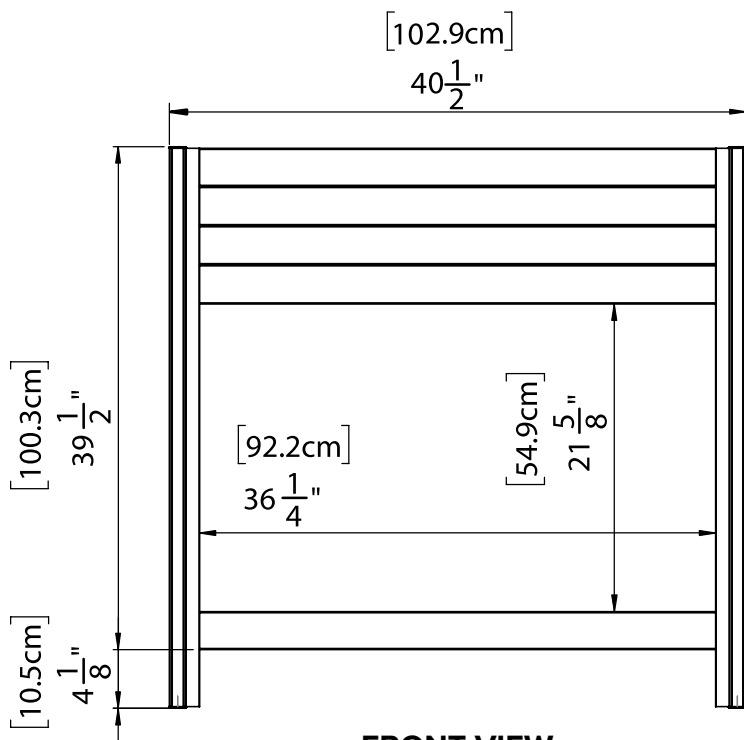
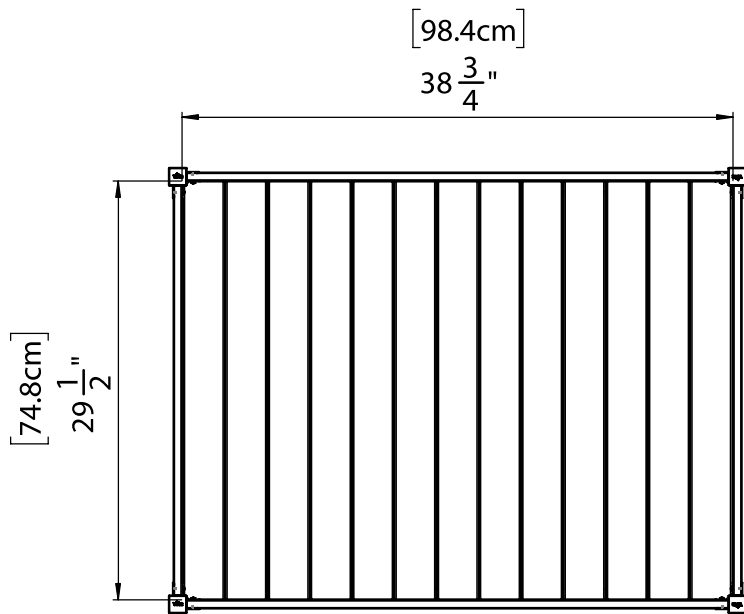
WWW.WEAREVITA.COM



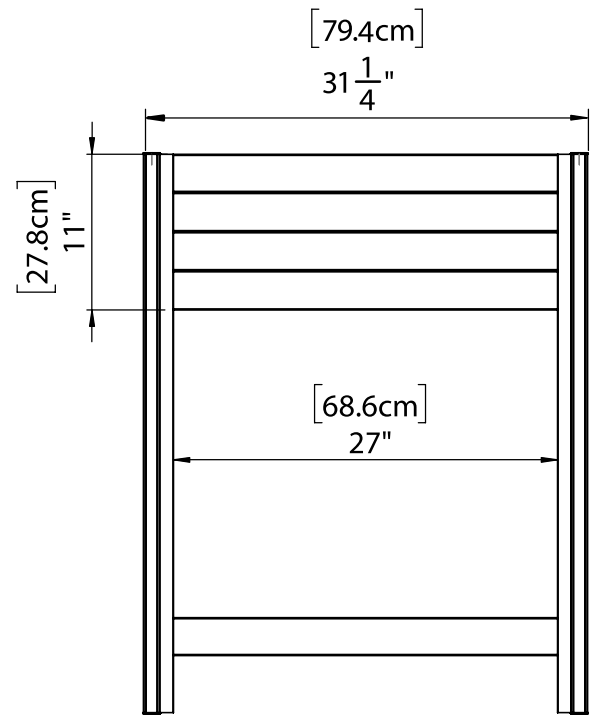
MONDAY - FRIDAY
8:00 AM - 5:00 PM EST



TOP VIEW



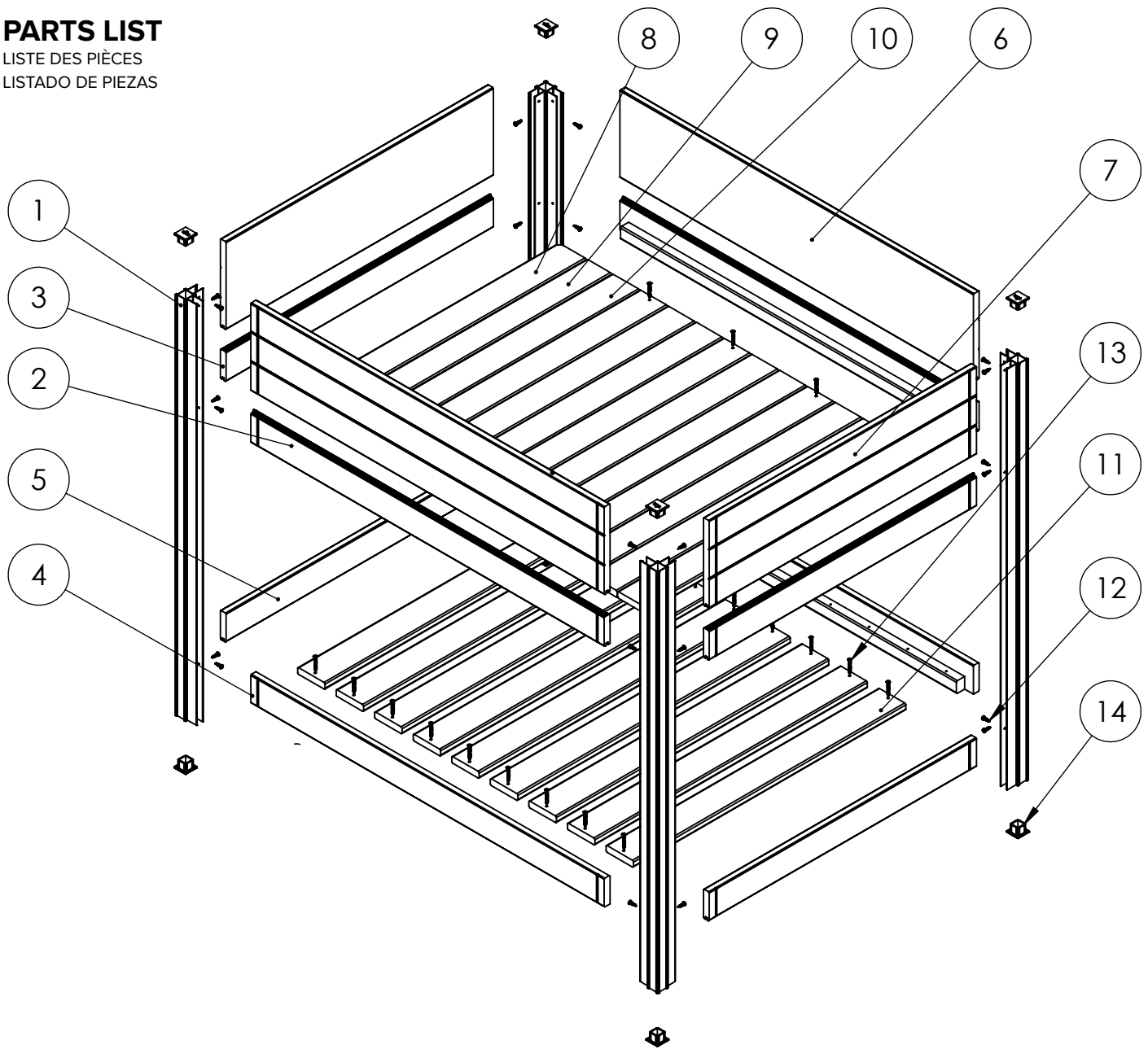
FRONT VIEW



SIDE VIEW

PARTS LIST

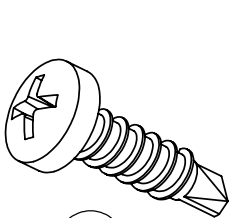
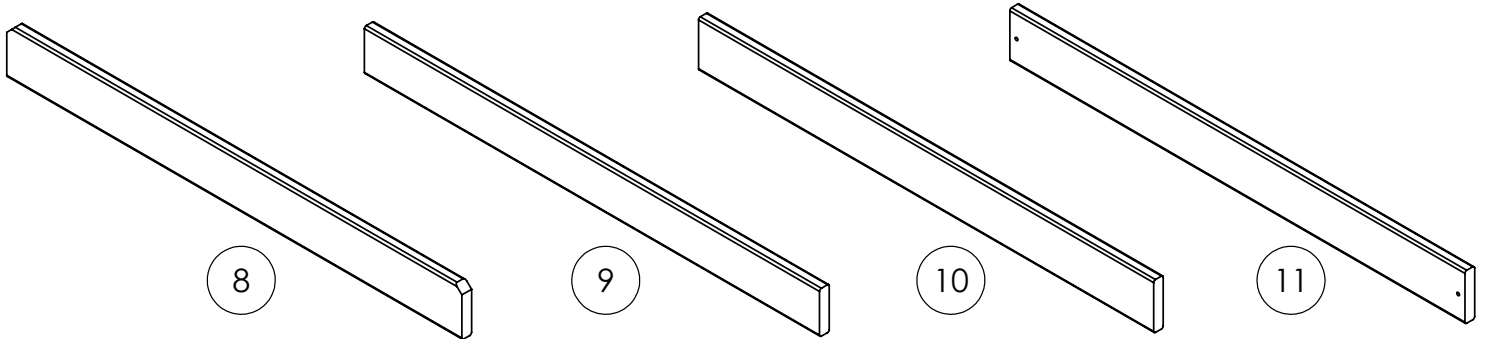
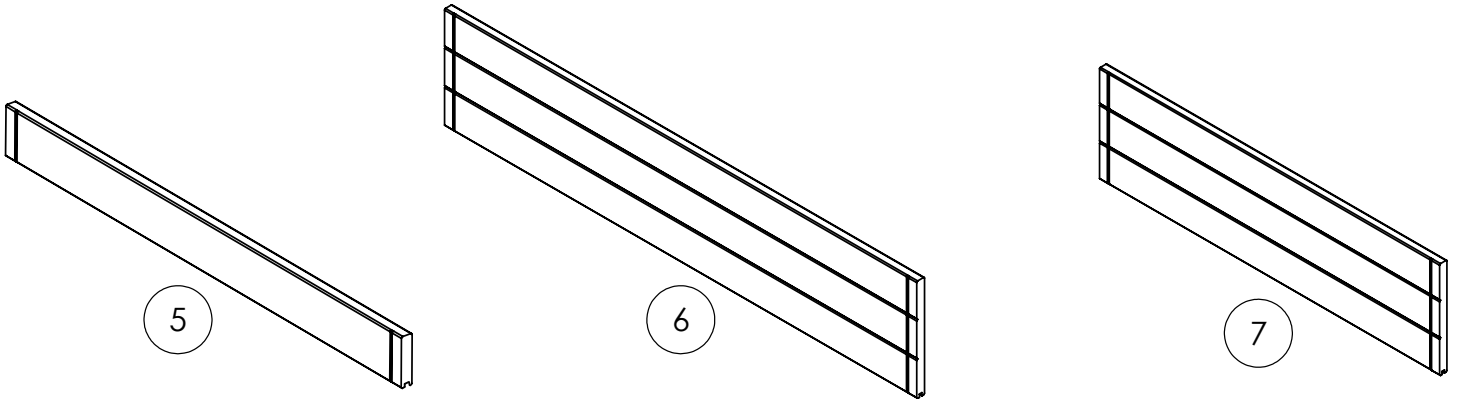
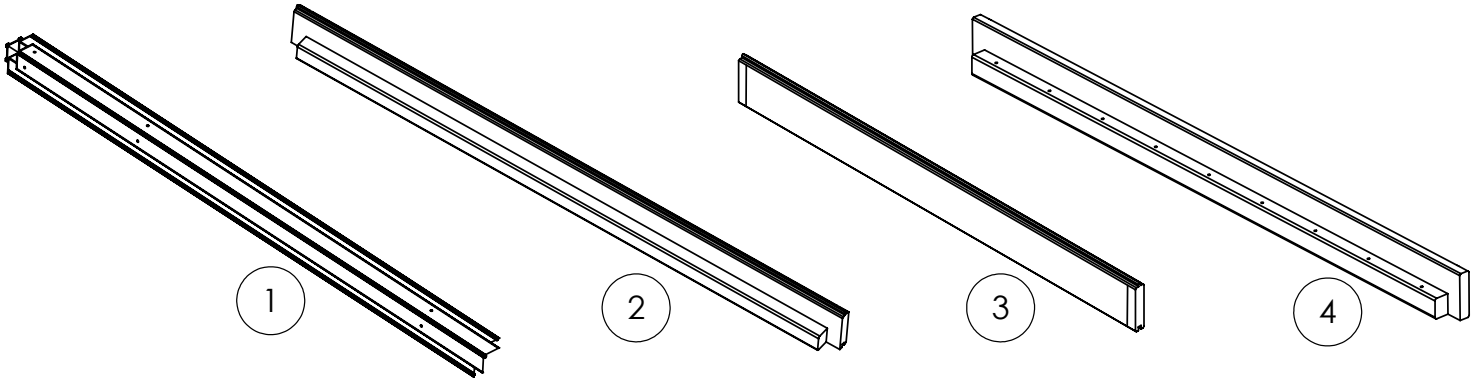
LISTE DES PIÈCES
LISTADO DE PIEZAS



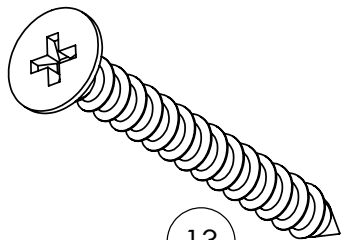
ITEM NO.	Part Number	Description	Dimensions	QTY.
1	17427	Post	39 1/4" (99.7cm)	4
2	17747	Long Floor Support	38" (96.7cm)	2
3	17425	Short Floor Support	28 3/4" (73cm)	2
4	17426	Long Shelf Support	38" (96.7cm)	2
5	17423	Short Shelf Support	28 3/4" (73cm)	2
6	17748	Long Wall Panel	38" (96.7cm)	2
7	17749	Short Wall Panel	28 3/4" (73.1cm)	2
8	17429	Corner Floor Board	29 3/8" (74.6cm)	2
9	17750	Narrow Floor Board	29 3/8" (74.6cm)	1
10	17428	Center Floor Board	29 3/8" (74.6cm)	7
11	17430	Shelf Board	29 3/8" (74.6cm)	12
12	20066	Round Head Screw	5/8" (1.6cm)	24
13	21007	Flat Top Screw	1 3/8" (3.5cm)	24
14	17020	Post Cap		8
15	21010	Liner		1

PARTS LIST

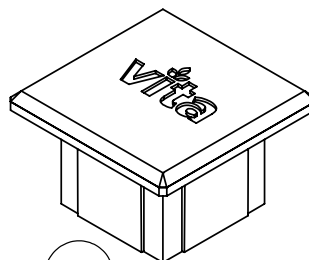
LISTE DES PIÈCES
LISTADO DE PIEZAS



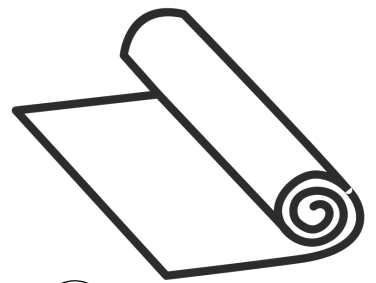
12



13



14

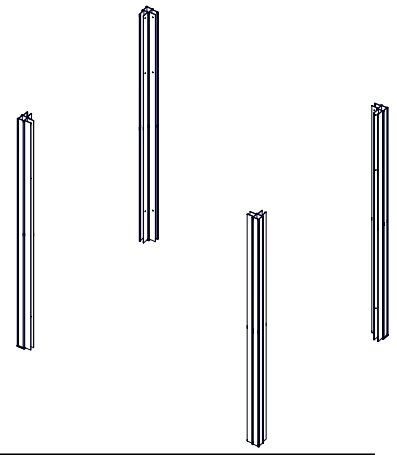
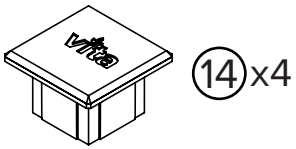


15

ATTACH THE CAPS TO THE BOTTOM OF THE POSTS

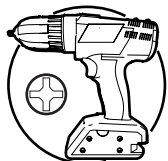
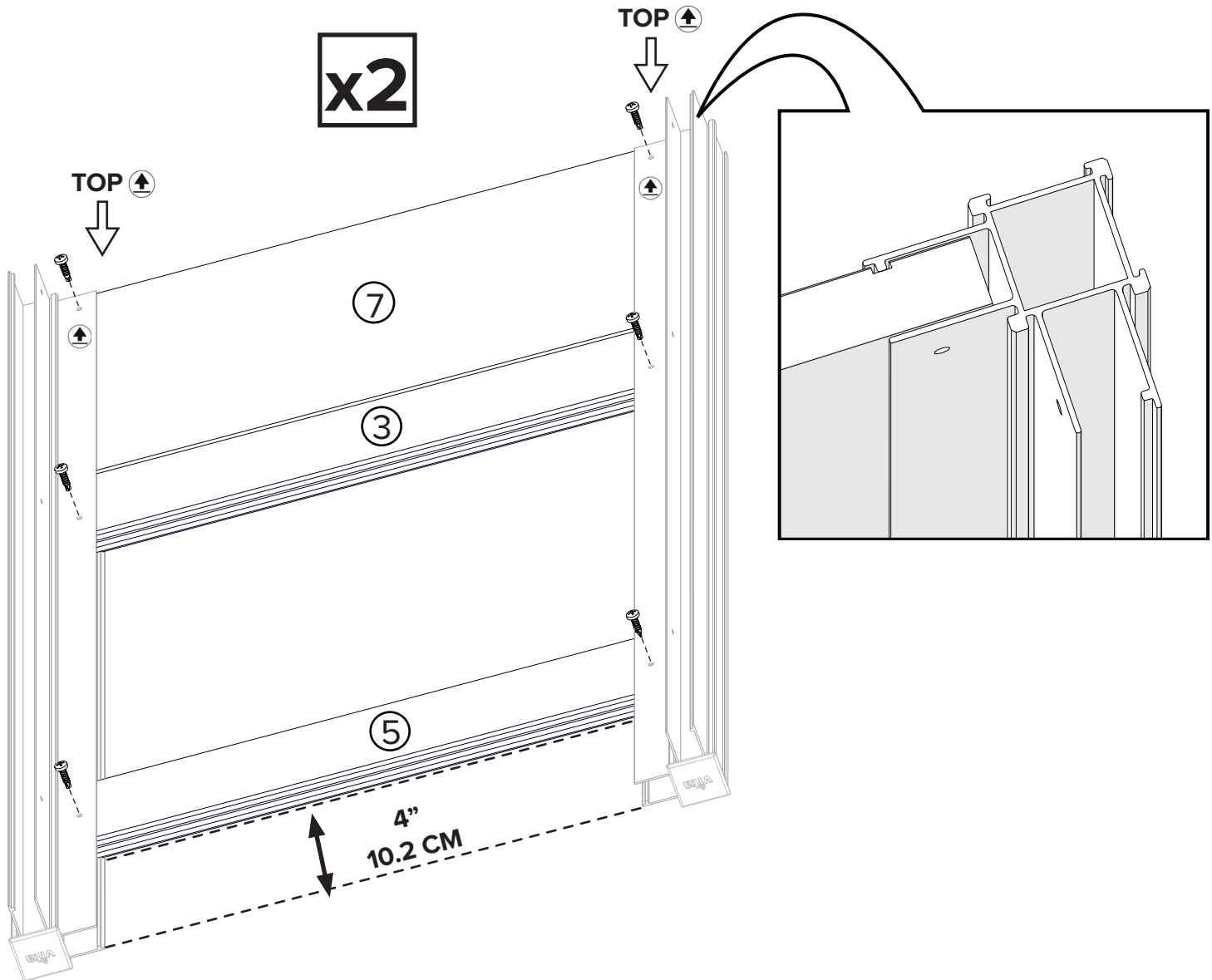
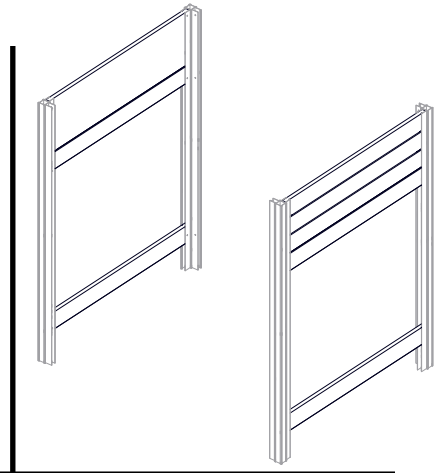
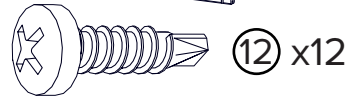
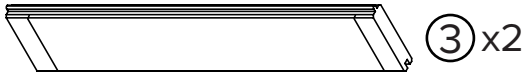
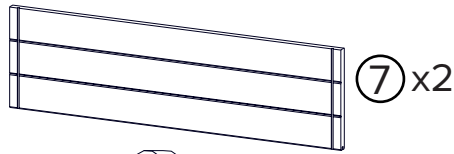
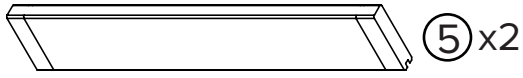
INSÉREZ LES EMBOUTS AU BAS DES POTEAUX

COLOQUE LAS TAPAS EN LOS EXTREMOS INFERIORES DE LOS POSTES



2 INSTALL THE FLOOR AND SHELF SUPPORT, AND THE SHORT WALL PANEL

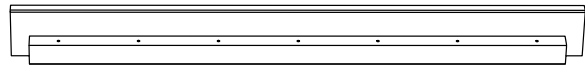
INSTALLEZ LE SUPPORT DE SOL ET D'ÉTAGÈRE, ET LE PANNEAU MURAL COURT
INSTALE EL SOPORTE DE PISO Y EL SOPORTE DE LA REPISA, Y EL PANEL DE PARED CORTO.



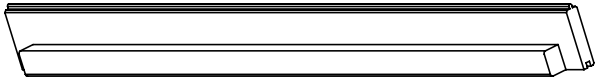
PHILIPS #2

3 INSTALL THE FLOOR AND SHELF SUPPORTS, AND THE LONG WALL PANEL

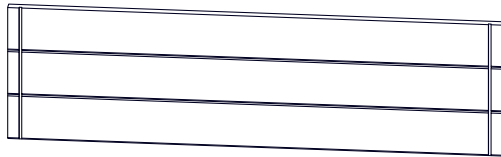
INSTALLEZ LES SUPPORTS DE SOL ET D'ÉTAGÈRE, ET LE LONG PANNEAU MURAL
INSTALE LOS SOPORTES DEL PISO Y DE LAS REPISAS, Y EL PANEL LARGO.



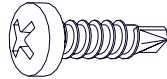
④ x2



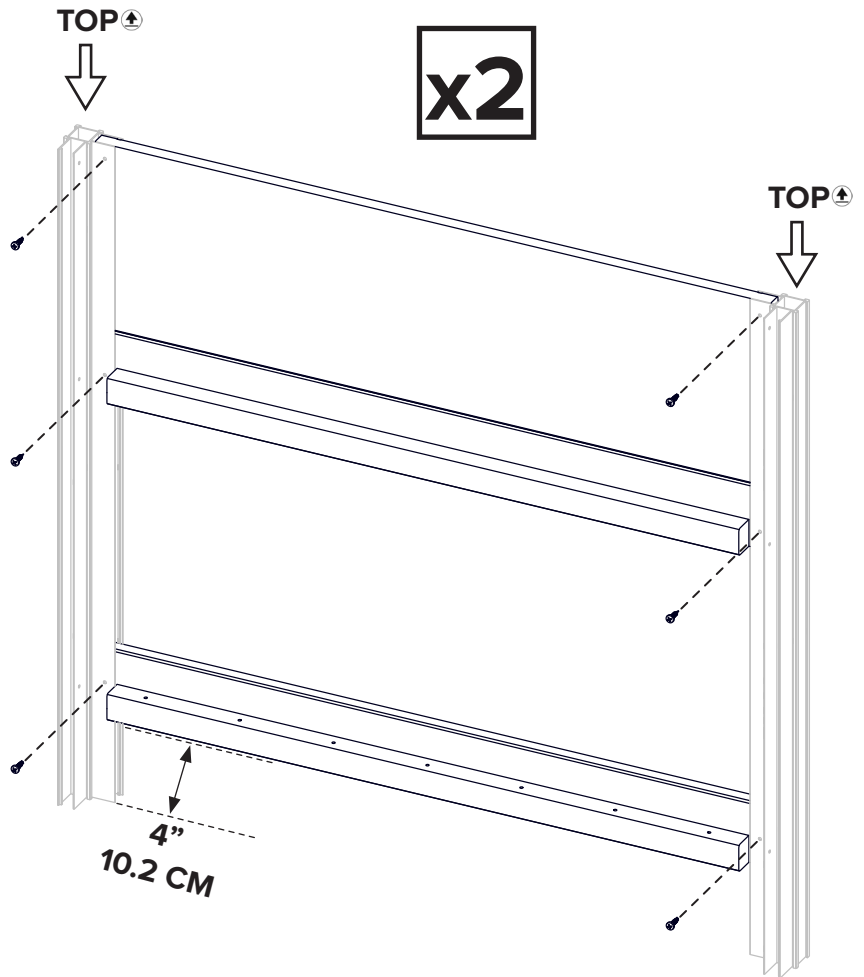
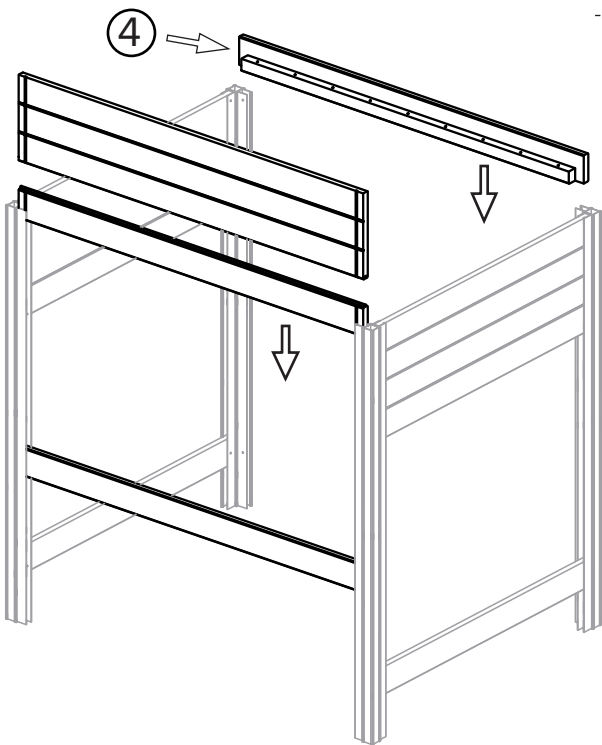
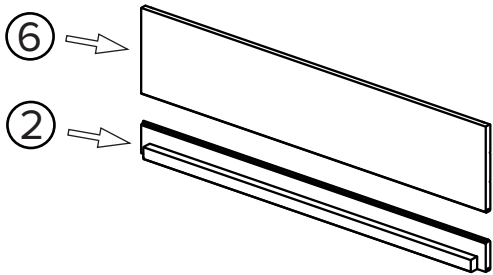
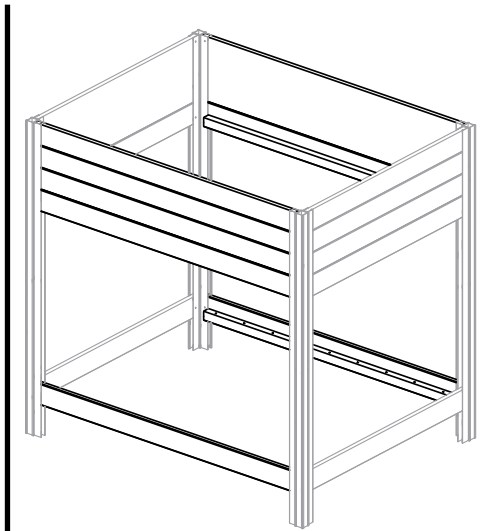
② x2



⑥ x2



⑫ x12



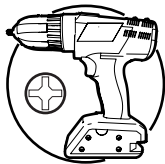
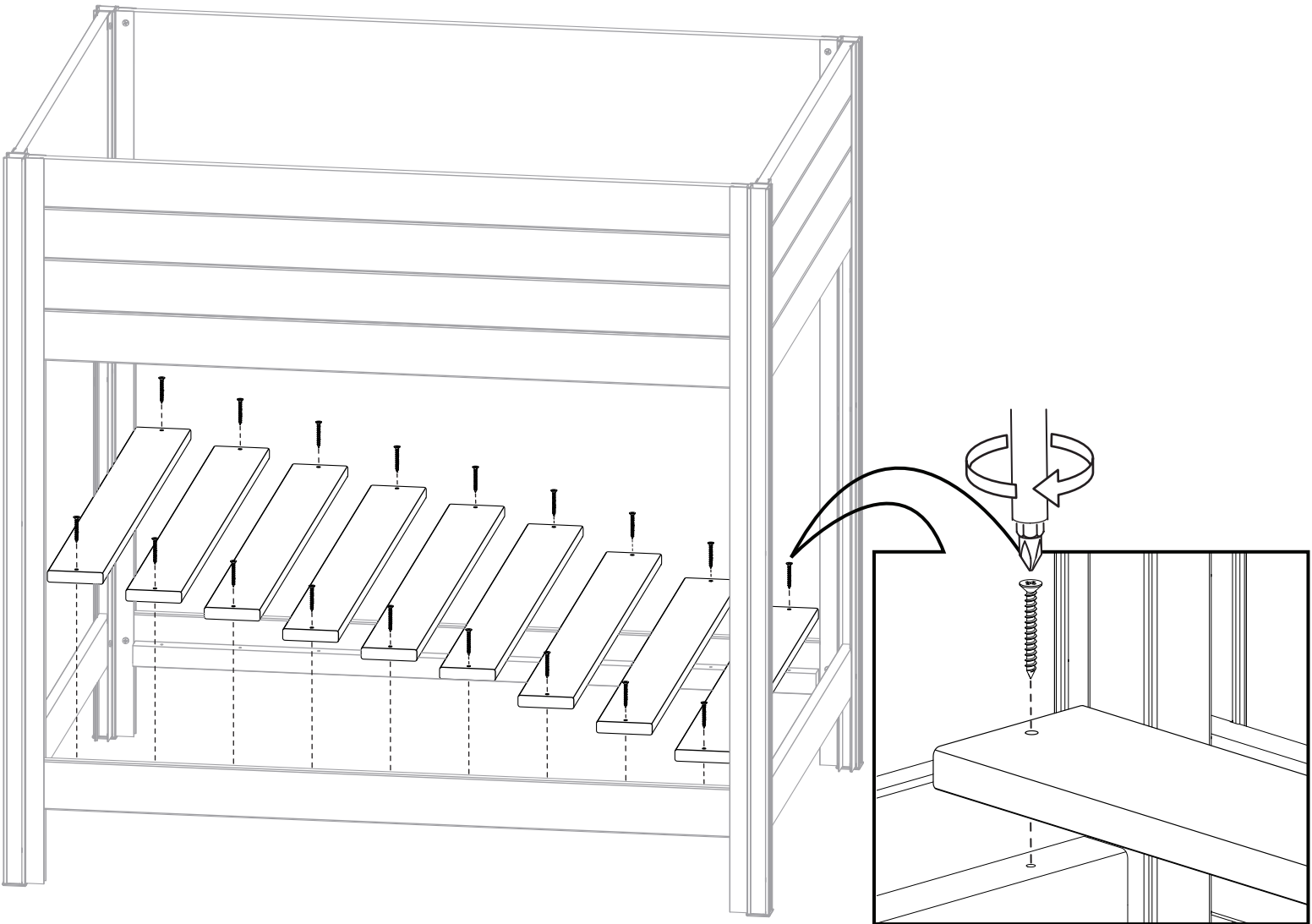
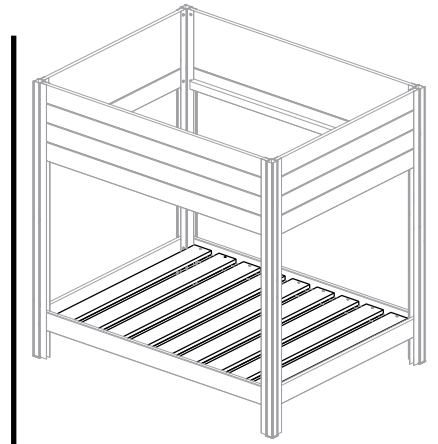
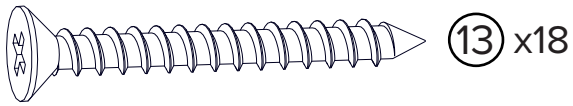
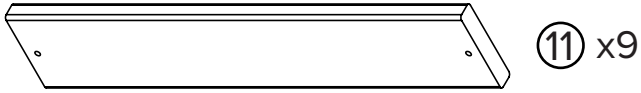
8



PHILIPS #2

4 PLACE AND SECURE THE SHELF BOARDS

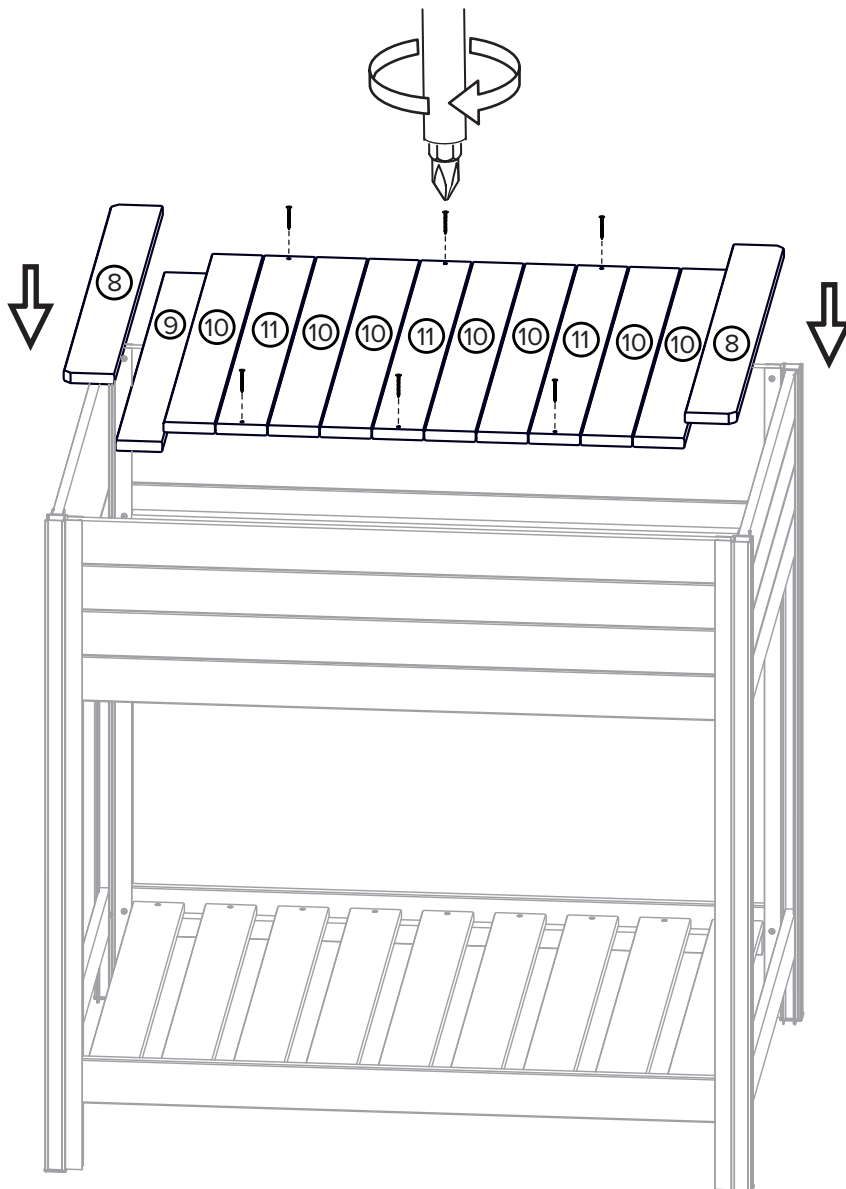
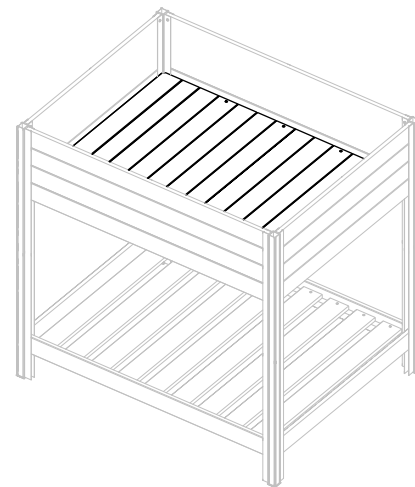
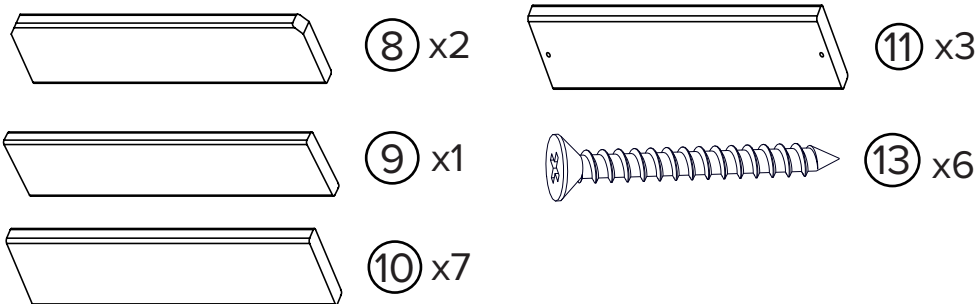
POSITIONNEZ ET FIXEZ LES PLANCHES DES ÉTAGÈRES
COLOQUE Y ASEGURE LAS TABLAS DEL ESTANTE



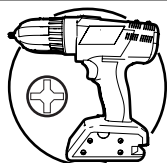
PHILIPS #2

5 PLACE DOWN THE FLOOR BOARDS

METTEZ EN PLACE LES PLANCHES DU PLANCHER
COLOQUE LAS TABLAS DE LA BASE



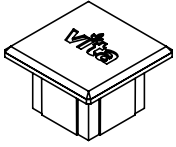
10



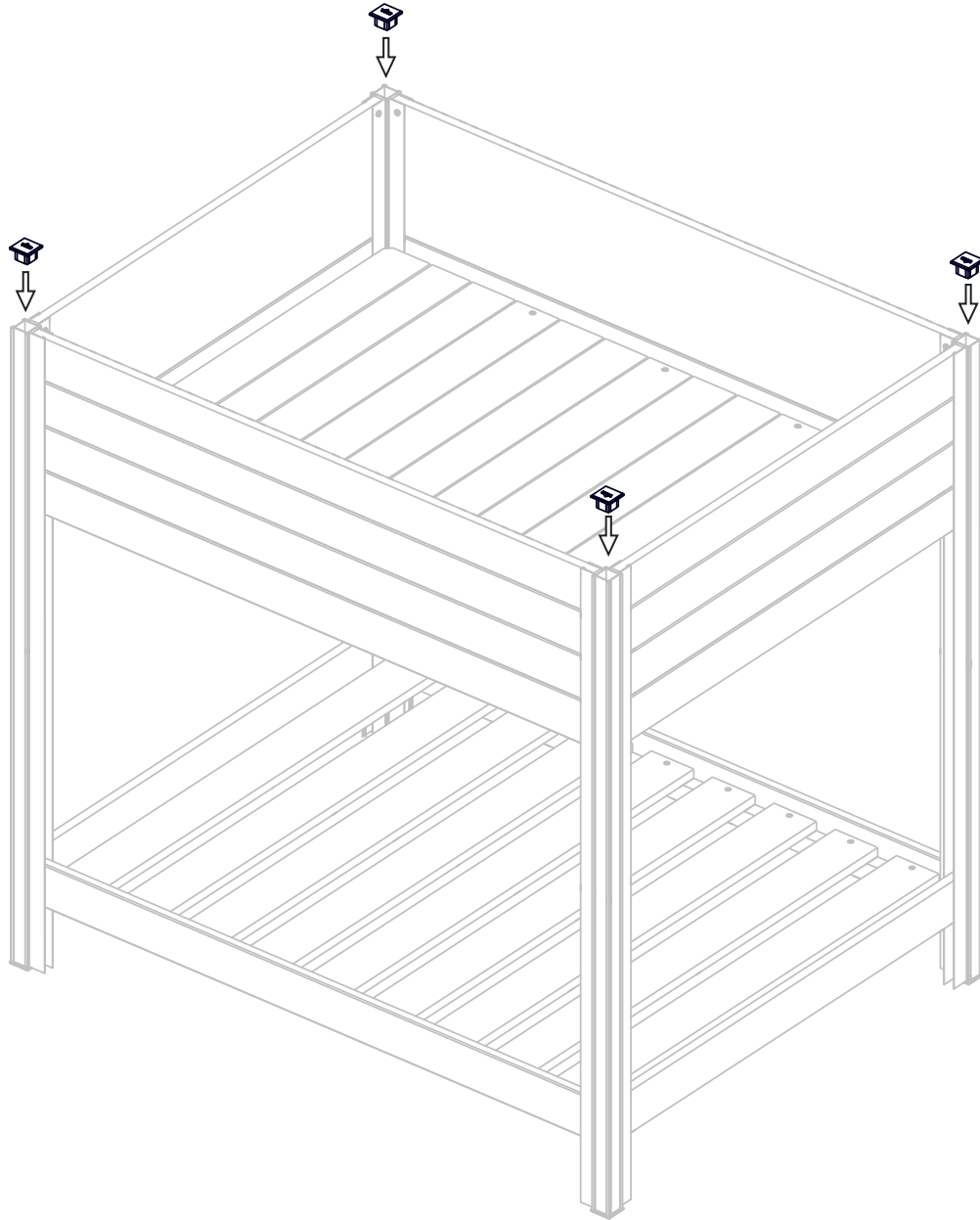
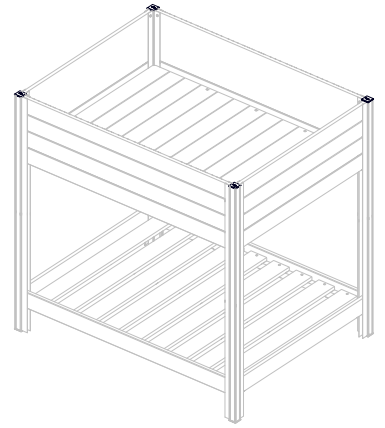
PHILIPS #2

6 ATTACH THE POST CAPS

INSÉREZ LES EMBOUTS DE POTEAUX
COLOQUE LAS TAPAS EN LOS POSTES

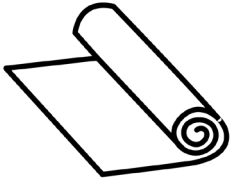


14 x4



7 INSERT THE LINER

METTEZ EN PLACE LE FILM DE DOUBLAGE
INTRODUZCA EL REVESTIMIENTO



⑮ x1

