



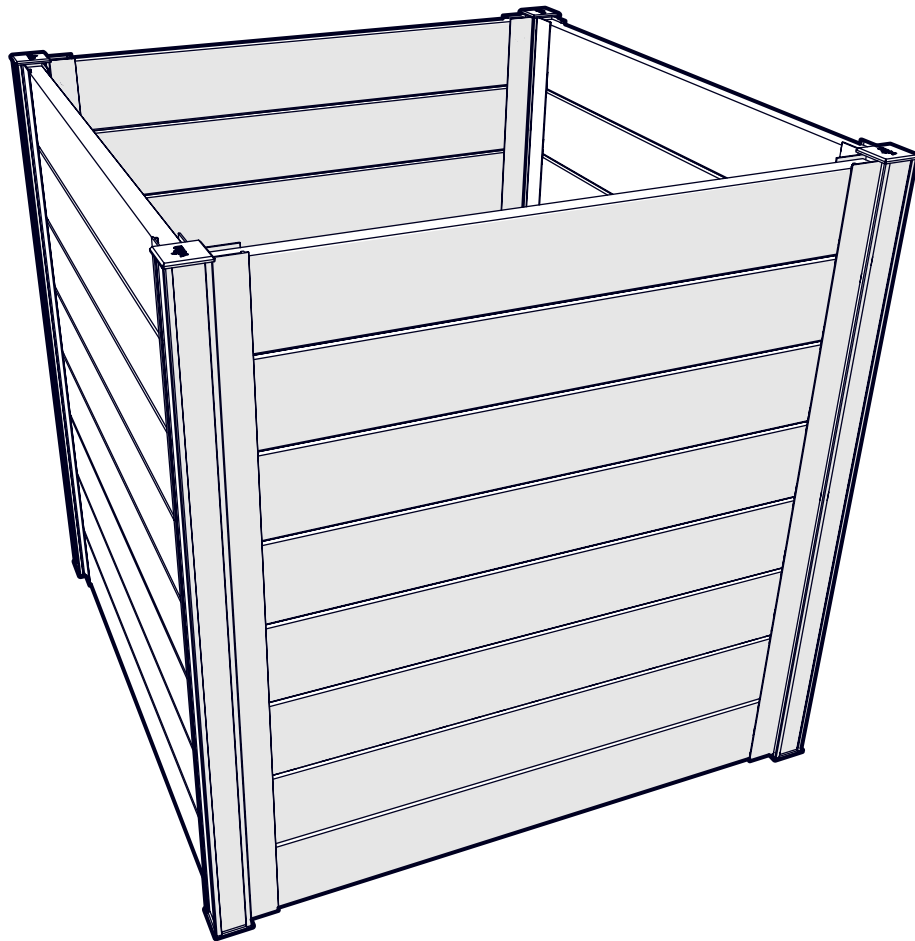
**ASSEMBLY GUIDE
GUIDE DE MONTAGE
GUÍA DE MONTAJE**

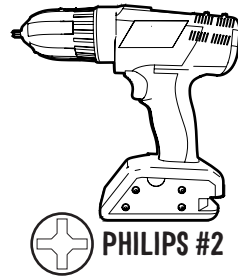
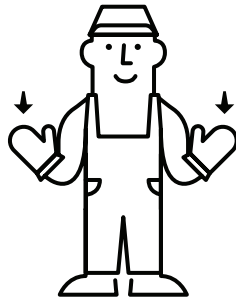
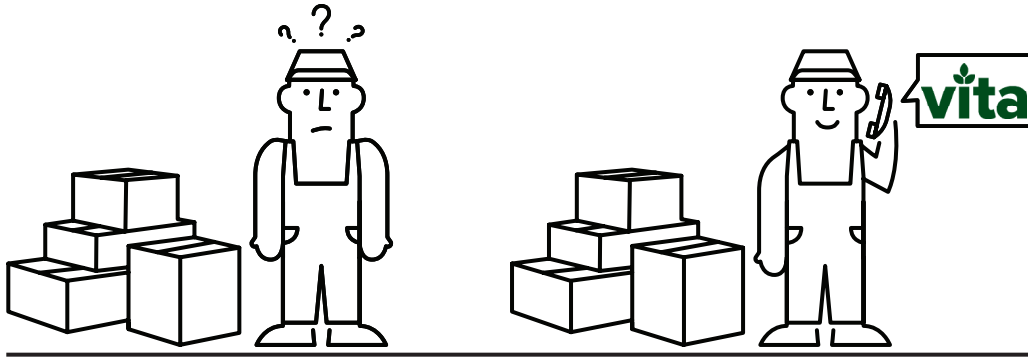
URBANA


22X22 CUBE

**CUBE 22X22
CUBO 22X22**

VT17711





 **1-800-282-9346**



HELLO@WEAREVITA.COM



WWW.WEAREVITA.COM



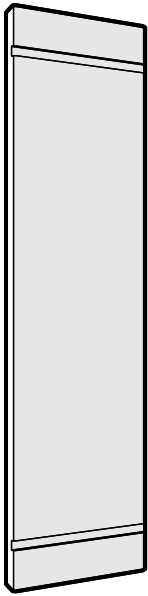
8:00AM - 5:00 PM EST



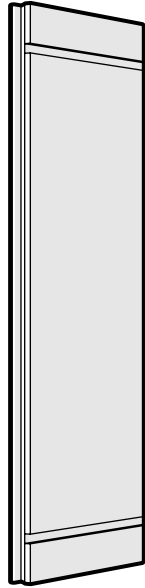
PARTS LIST

LISTE DES PIÈCES

LISTA DE PARTES



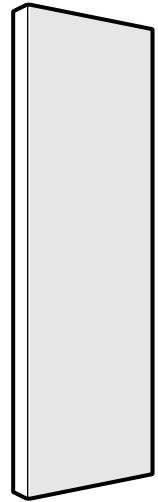
17064
TOP BOARD A
CONSEIL SUPERIEUR/PANEL A
ABLERO SUPERIOR A
19 1/2" (49.6 CM) - x4



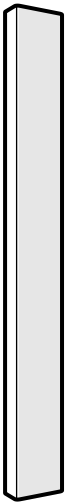
17065
STACKING BOARD B
TABLEAU DE EMPILAGE B
TABLERO DE APILAMIENTO B
19 1/2" (49.6 CM) - x26



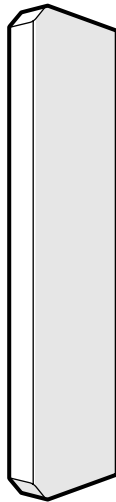
17066
FLOOR BRACE C
RENFORT DE PLANCHER C
SOPORTE DE PISO C
19 1/2" (49.6 CM) - x2



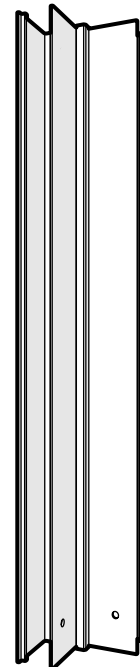
17067
FLOOR BOARD D
PLANCHE D'ÉTAGE D
TABLERO DE PISO D
20 1/8" (51.1 CM) - x4



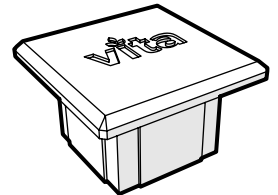
17068
FLOOR BOARD E
PLANCHE D'ÉTAGE E
TABLERO DE PISO E
20 1/8" (51.1 CM) - x1



17069
FLOOR BOARD F
PLANCHE D'ÉTAGE F
TABLERO DE PISO F
20 1/8" (51.1 CM) - x2



17070
POST
PUBLIER
EXPONER
22" (56 CM) - x4



17020
POST CAP
ETE DE POTEAU
TABLERO DE PISO
1 1/4" (3.2 CM) - x8



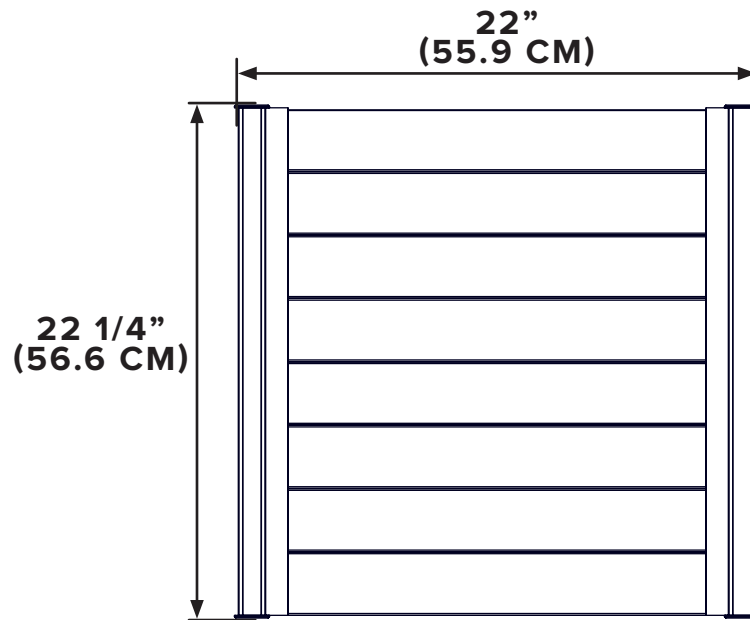
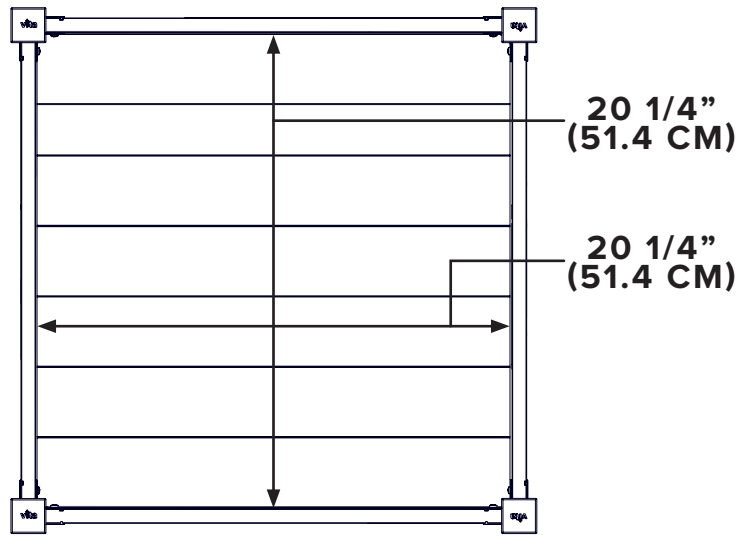
20066
SCREW
VISSER
TORNILLO
5/8" (1.6 CM) - x8

PARTS NOT TO SCALE PIÈCES NON À L'ÉCHELLE PARTES NO A ESCALA

PRODUCT DIMENSIONS

DIMENSIONS DU PRODUIT

DIMENSIONES DEL PRODUCTO

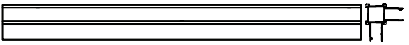


CU M ----- 0.15

CU FT ----- 5

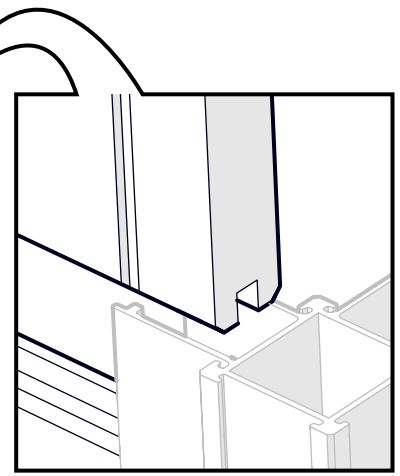
----- x5

A diagram showing a wooden crate on the left, an arrow pointing to a pile of material on the right. Below this, the volume of the crate is given as 0.15 CU M and 5 CU FT. Below that, an icon of a bag is shown with a dashed line and the text 'x5' next to it, indicating that five bags are needed to fill the crate.

17070 - x4 

17064 - x2 (A) 


17065 - x14 (B) 

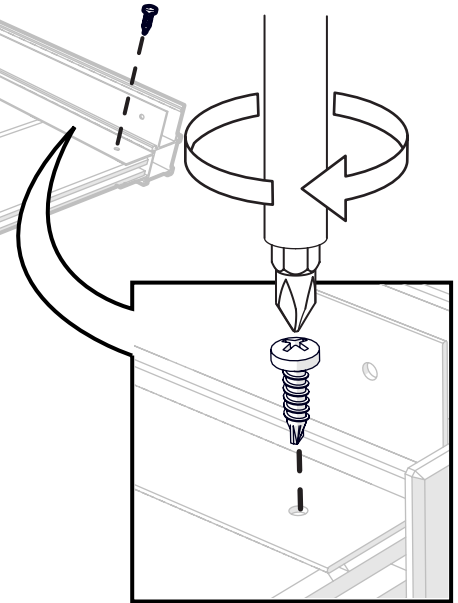
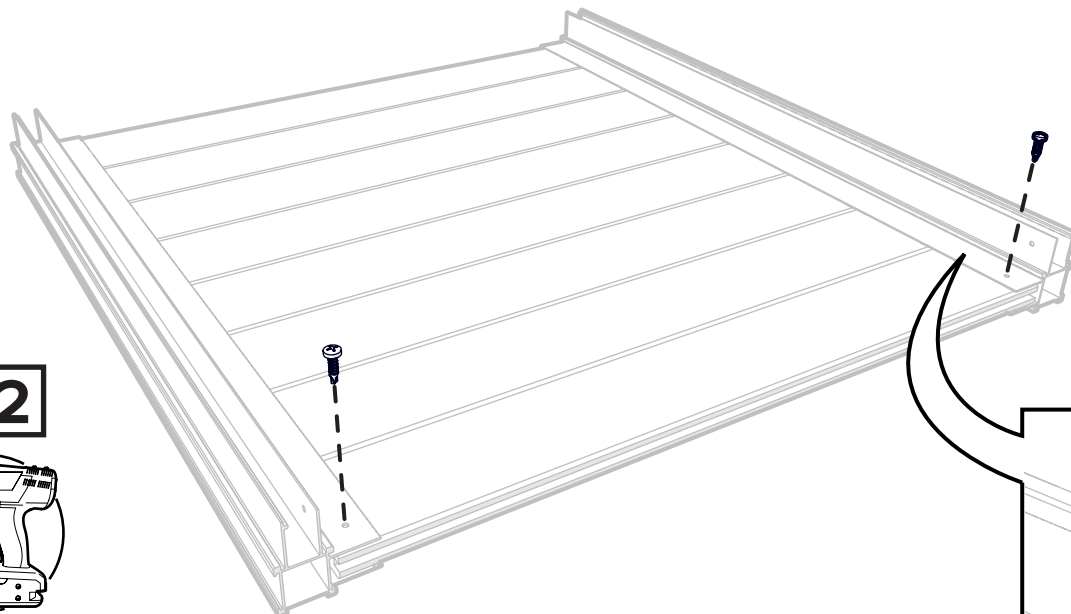


X2

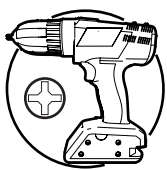


2

20066 - x4 




X2

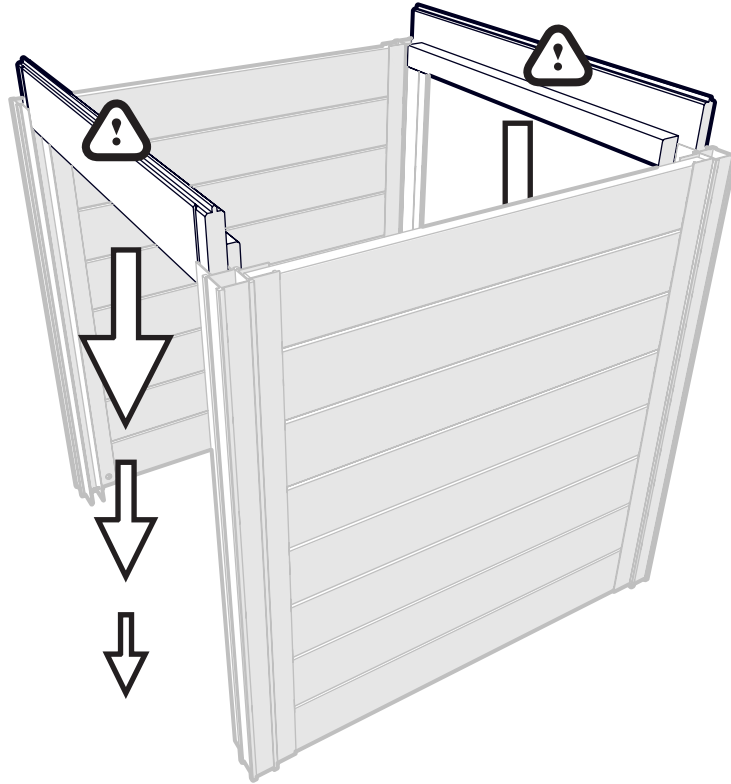


PHILIPS #2



3

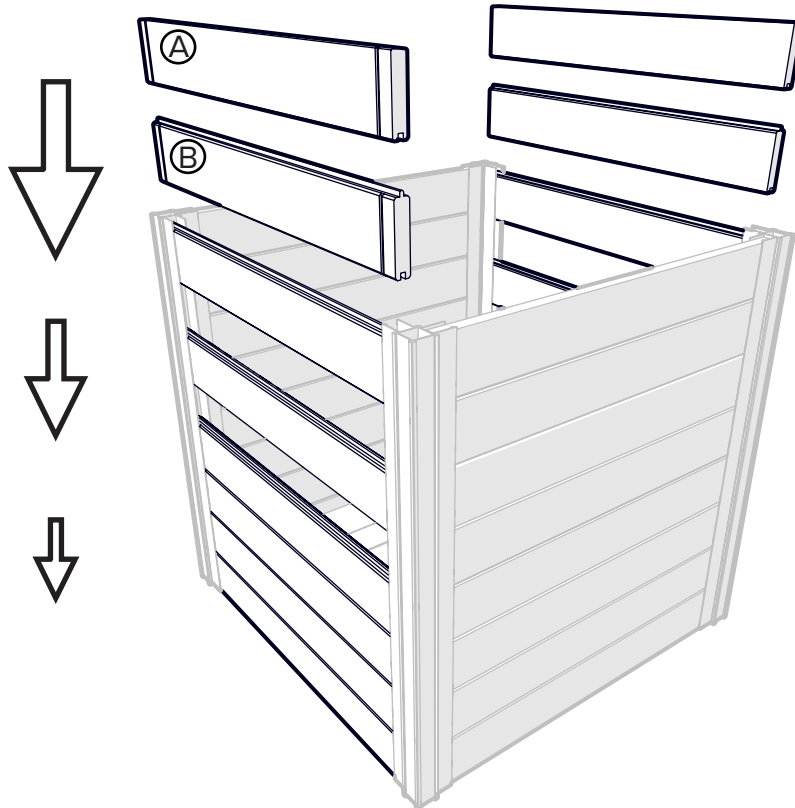
17066 - x2 © 



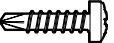
4

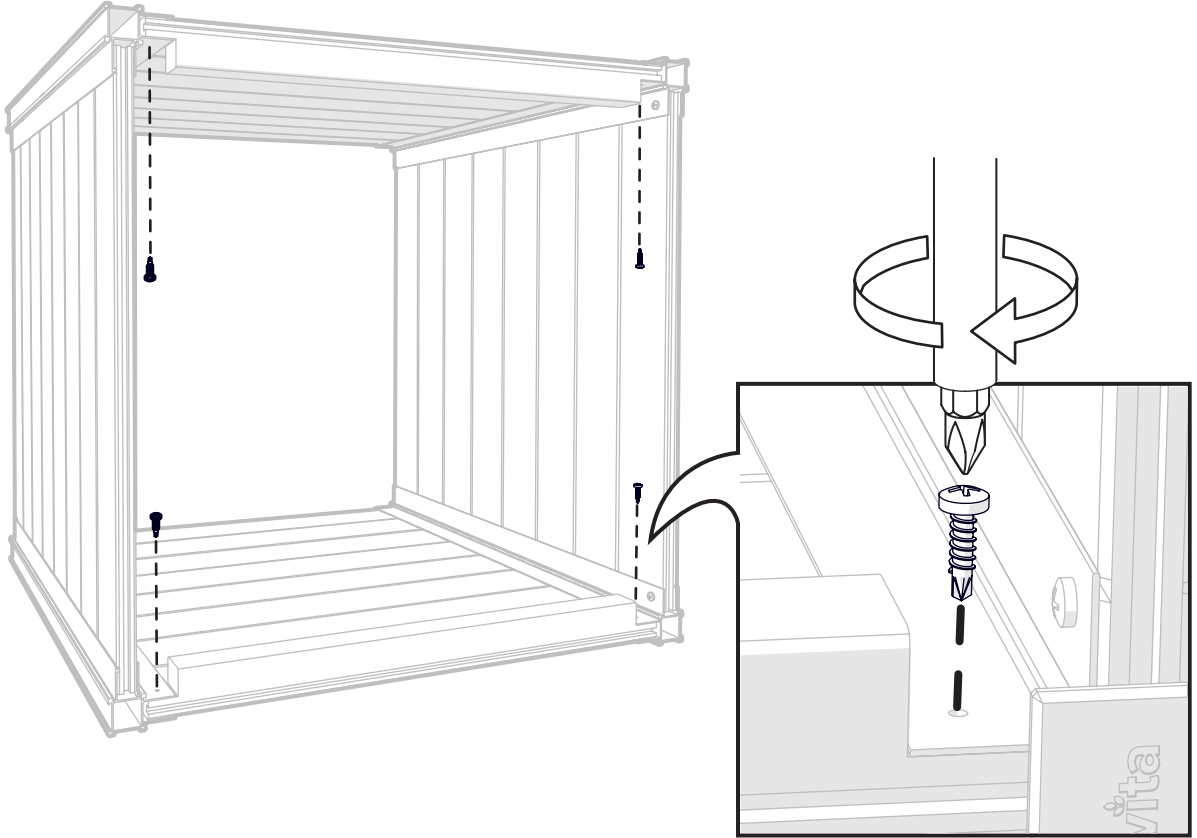
17064 - x2 (A) 

17065 - x12 (B) 



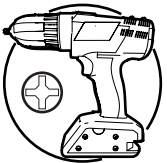
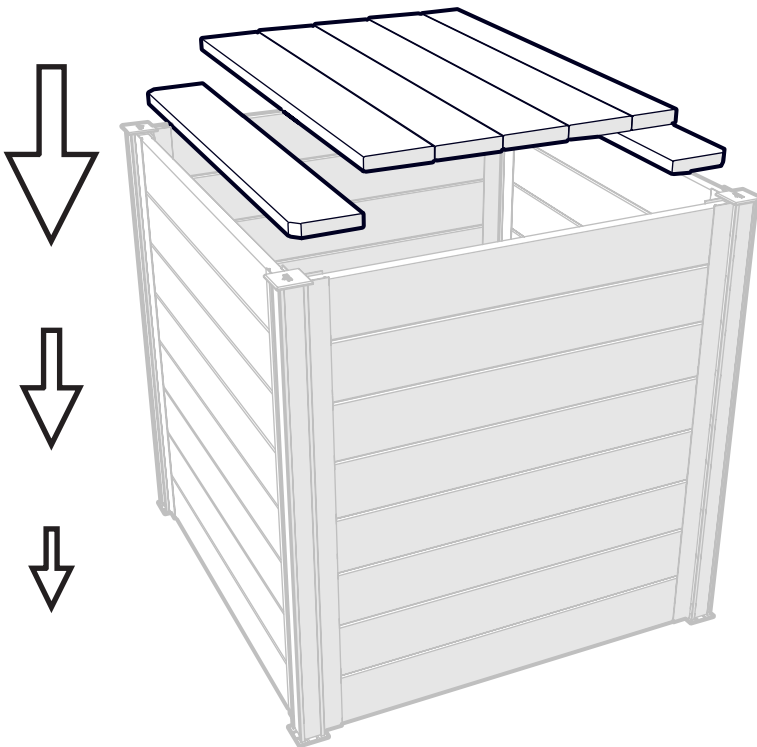
5

20066 - x4 

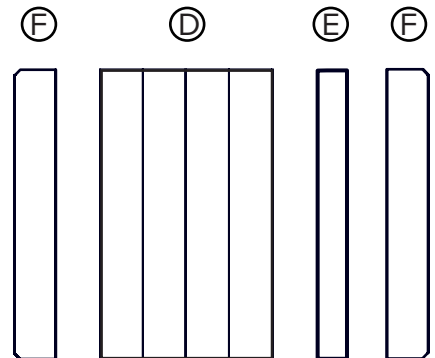


6

- 17067 - x4 D
- 17068 - x1 E
- 17069 - x2 F



PHILIPS #2



7

17020 - x8 

