



ASSEMBLY GUIDE
GUIDE DE MONTAGE
GUÍA DE MONTAJE

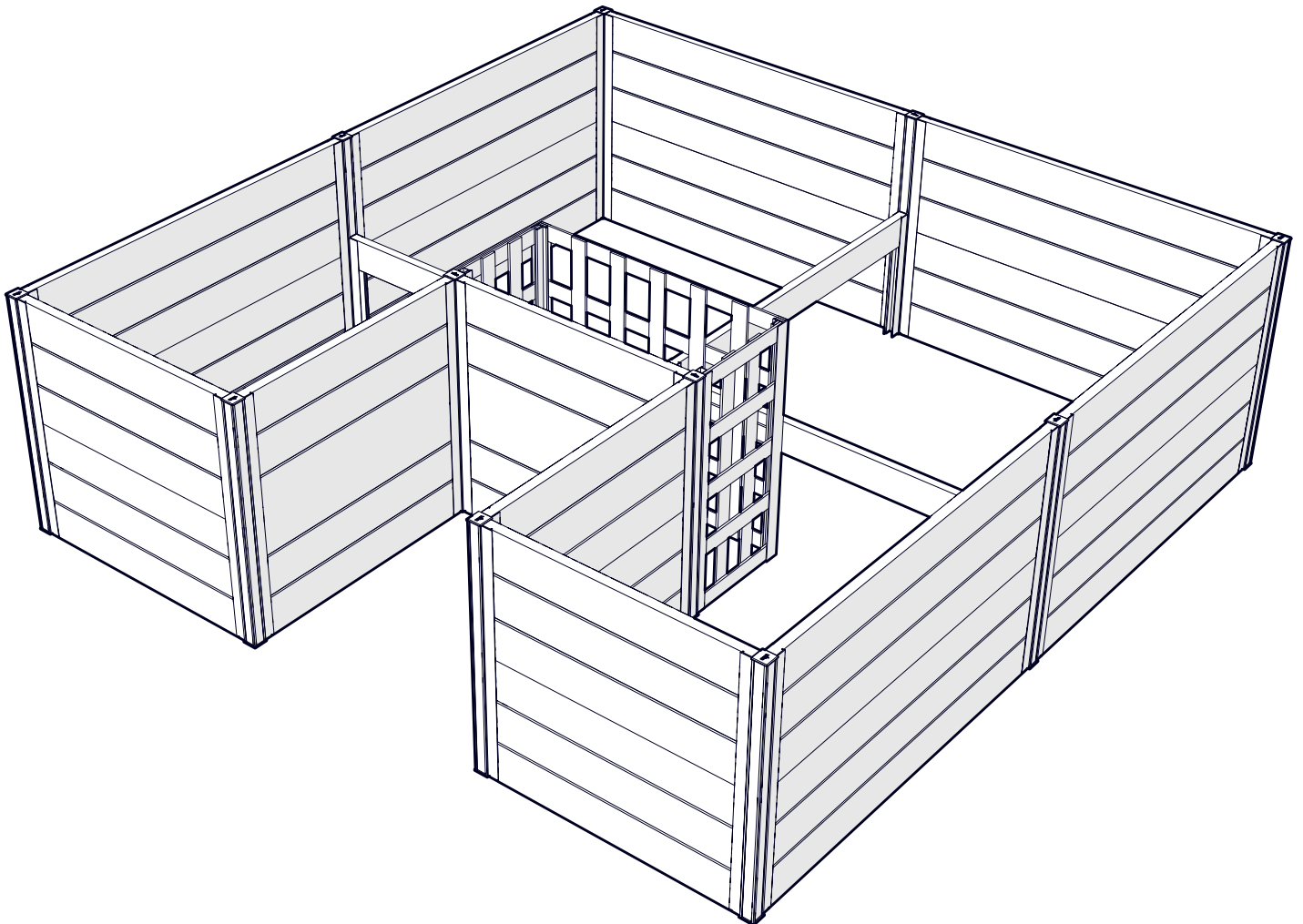
URBANA

6X6 KEYHOLE GARDEN JARDIN DE TROU DE SERRURE 6X6 JARDÍN DE LA CERRADURA 6X6

VT17507 / VT17607

ESPRESSO
EXPRESSO
ESPRESSO

SLATE
ARDOISE
PIZARRA





60.5 Ft³
1713 L

REQUIRED TOOLS AND MATERIALS (NOT INCLUDED)
OUTILS ET MATÉRIAUX REQUIS (NON INCLUS)
HERRAMIENTAS Y MATERIALES REQUERIDOS (NO INCLUIDOS)



HELLO@WEAREVITA.COM



VISIT WWW.WEAREVITA.COM
CLICK 'CHAT'



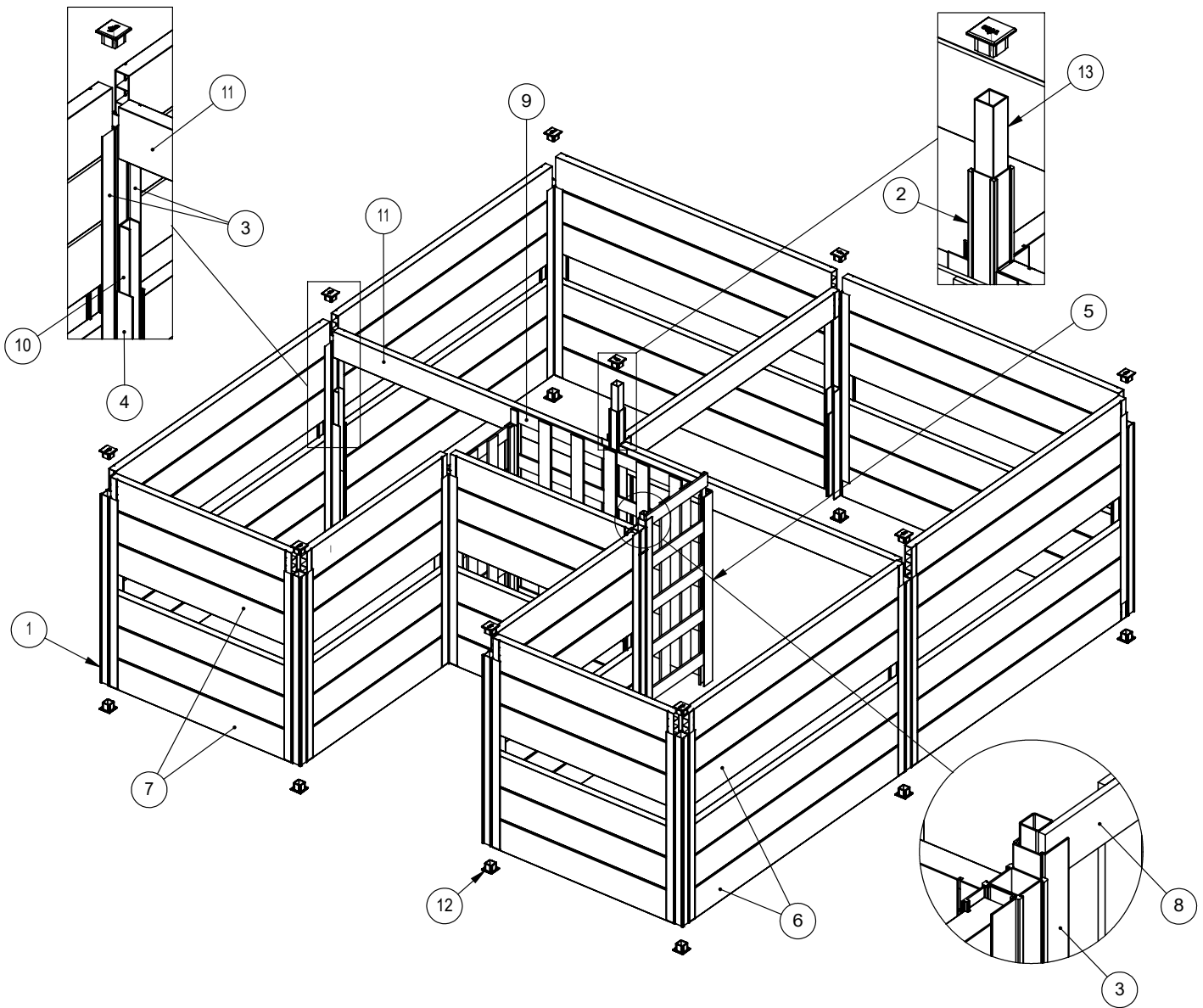
1-800-282-9346
MONDAY - FRIDAY | 8AM - 5PM EST



PARTS LIST

LISTE DES PIÈCES

LISTADO DE PIEZAS

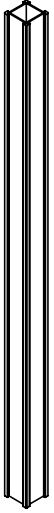


Item No.	Part Number (Espresso)	Part Number (Slate)	Description	Dimensions	Qty.
1	16002	16002	Post A	21 7/8" (55.5cm)	11
2	16200	16200	Post B	12 3/8" (31.5cm)	1
3	16037	16037	C-Channel C	21 7/8" (55.5cm)	24
4	16201	16201	C-Channel D	12 3/8" (31.5cm)	6
5	16202	16202	Basket Post E	22" (55.8cm)	2
6	15203	16203	Board F	34 1/8" (86.6cm)	12
7	15204	16204	Board G	22 1/4" (56.6cm)	10
8	15205	16205	Basket Panel H	22" x 9 3/4" (55.8cm x 24.8cm)	2
9	15206	16206	Basket Panel I	22" x 24 1/2" (55.8cm x 62.1cm)	1
10	15207	16207	U-Spacer J	9 1/2" (24.2cm)	6
11	15208	16208	Brace K	34 1/8" (86.6cm)	3
12	16325	16325	Post Cap	1 1/4" X 1 1/4" (3.2cm x 3.2cm)	23
13	80002	80002	Ground Stake	20" (50.8cm)	1

PARTS LIST

LISTE DES PIÈCES

LISTADO DE PIEZAS



① X11



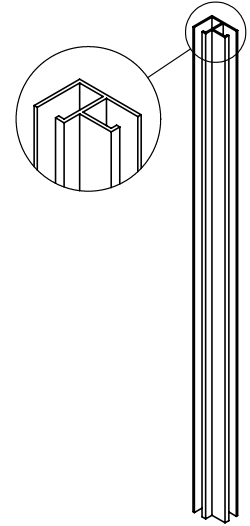
② X1



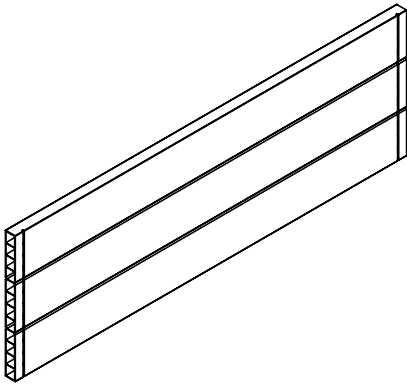
③ X24



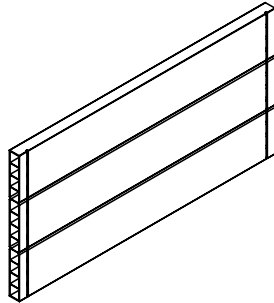
④ X6



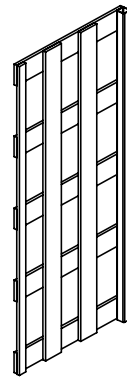
⑤ X2



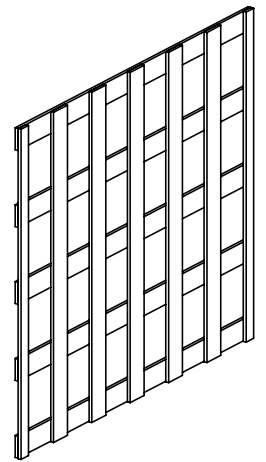
⑥ X12



⑦ X10



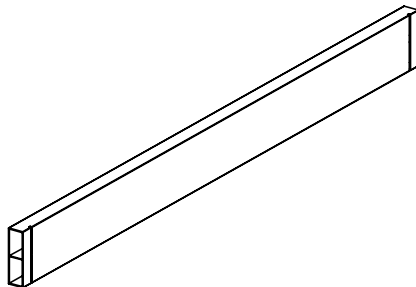
⑧ X2



⑨ X1



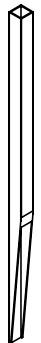
⑩ X6



⑪ X3



⑫ X23

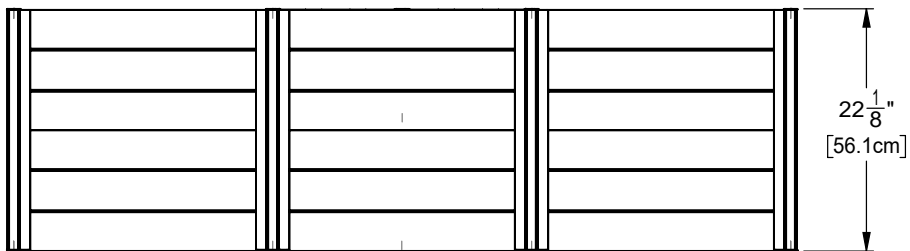
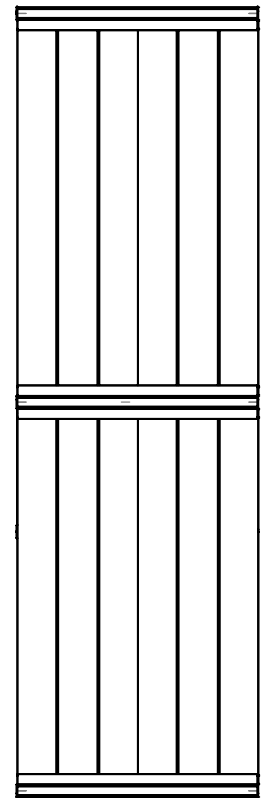
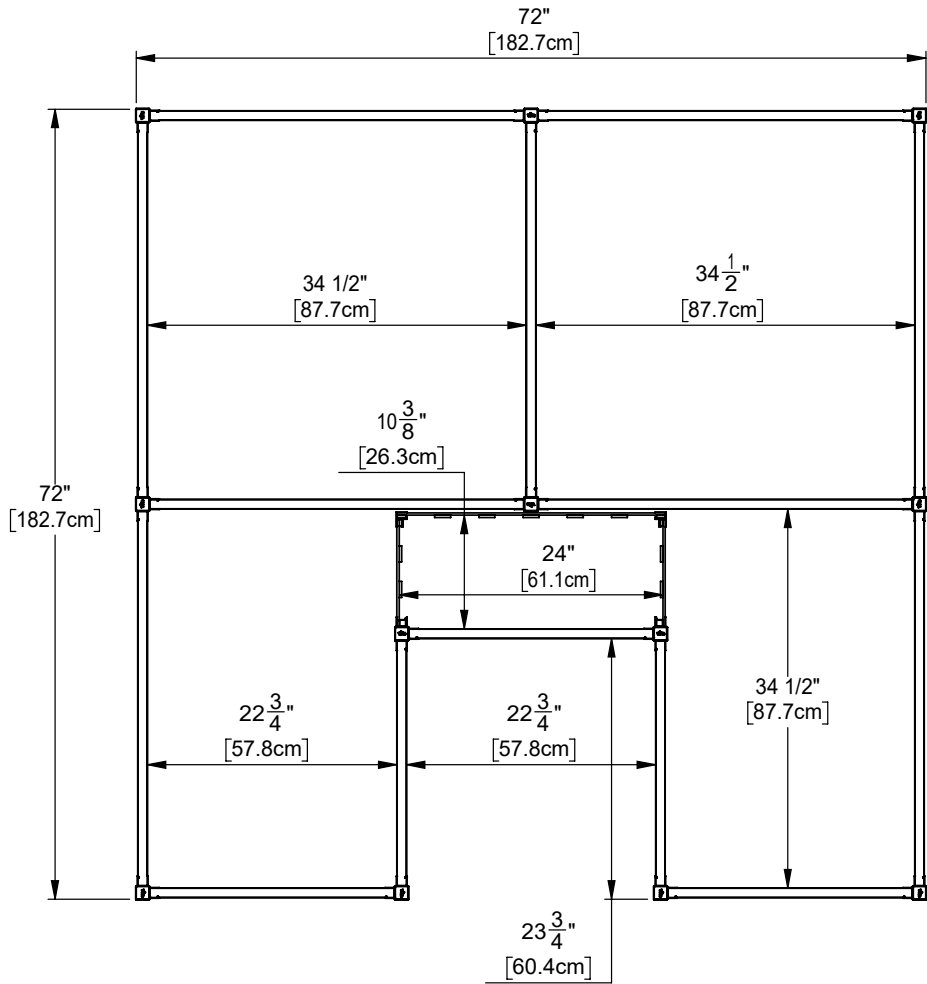


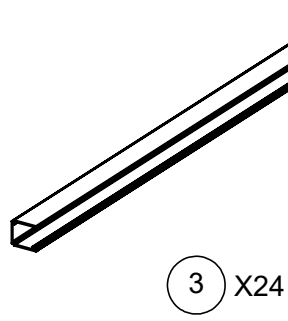
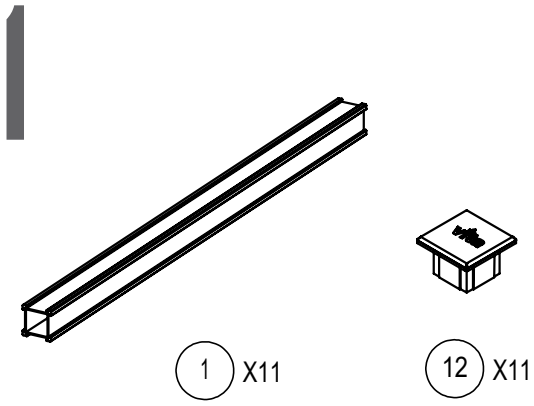
⑬ X1

PRODUCT DIMENSIONS

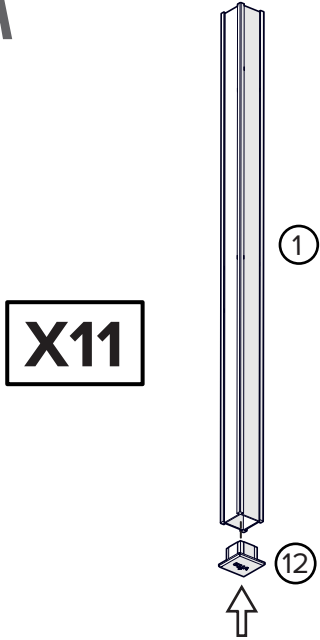
DIMENSIONS DU PRODUIT

DIMENSIONES DEL PRODUCTO

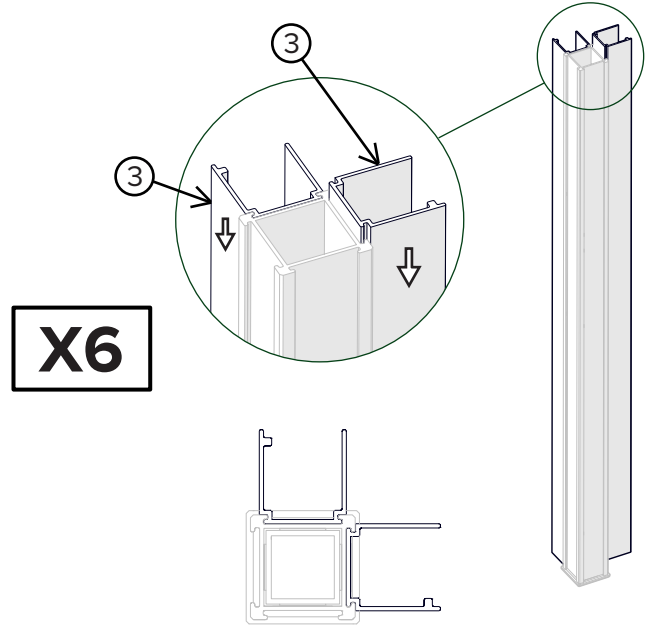




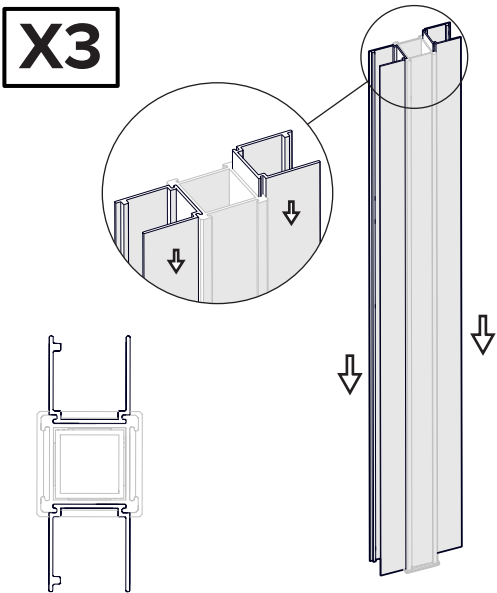
IA



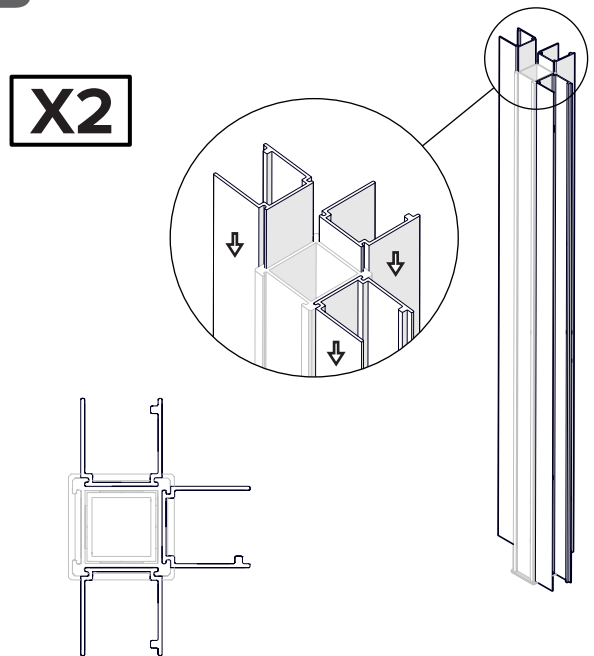
IB



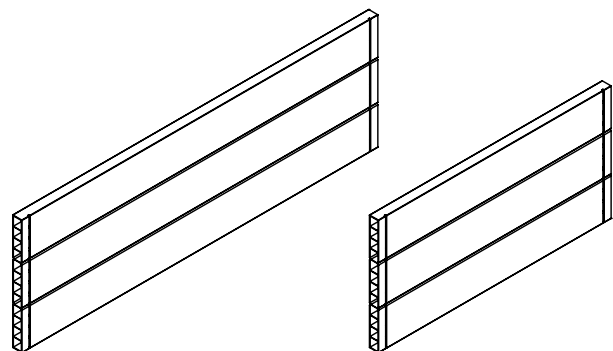
IC



ID

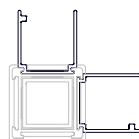


2



(6) x4

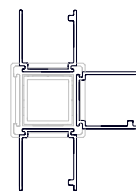
(7) x2



X4

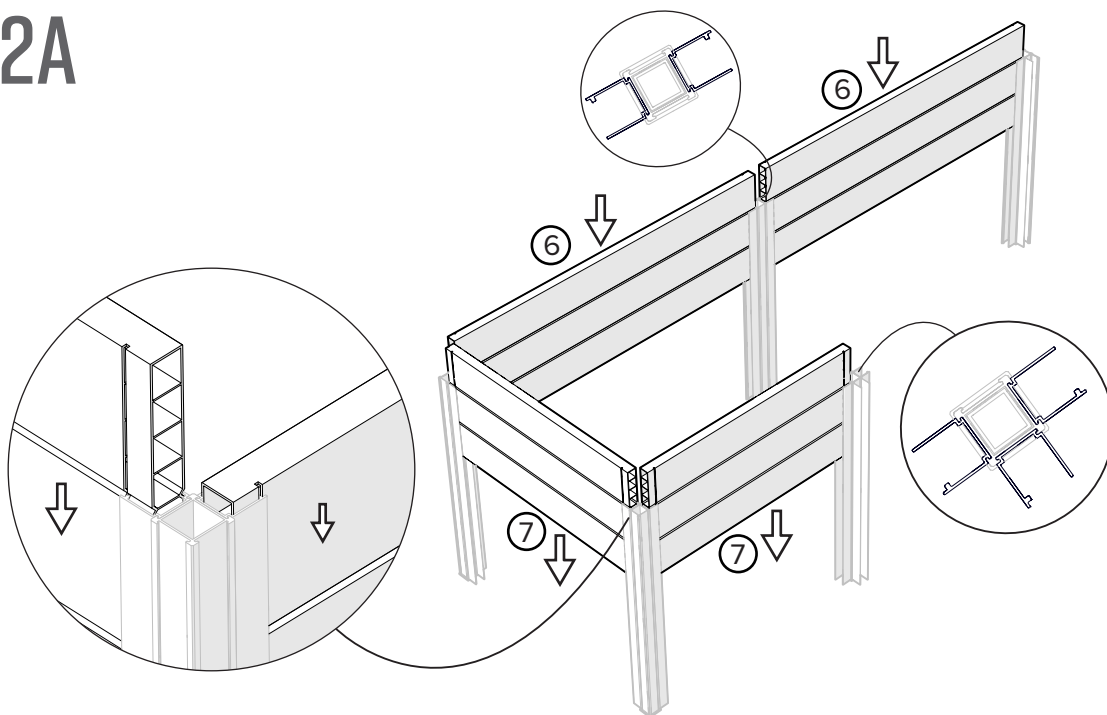


X2

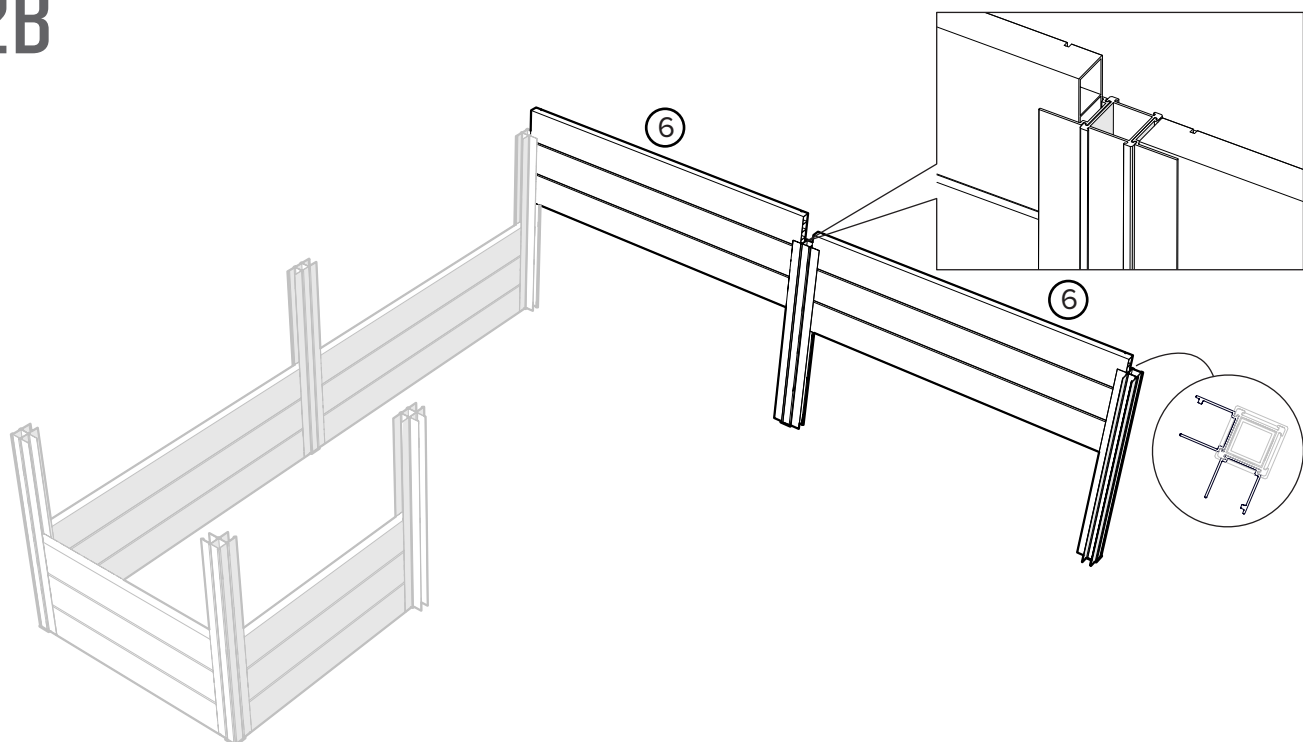


X1

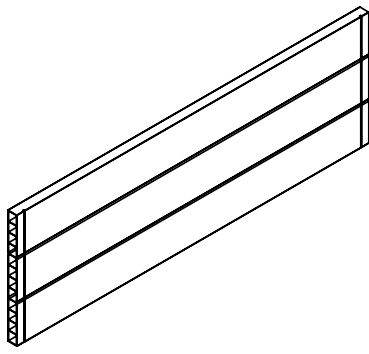
2A



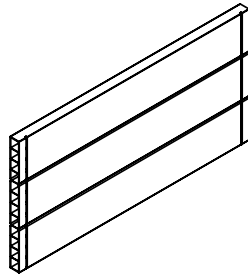
2B



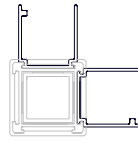
3



6 X8



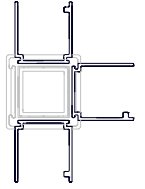
7 X8



X2

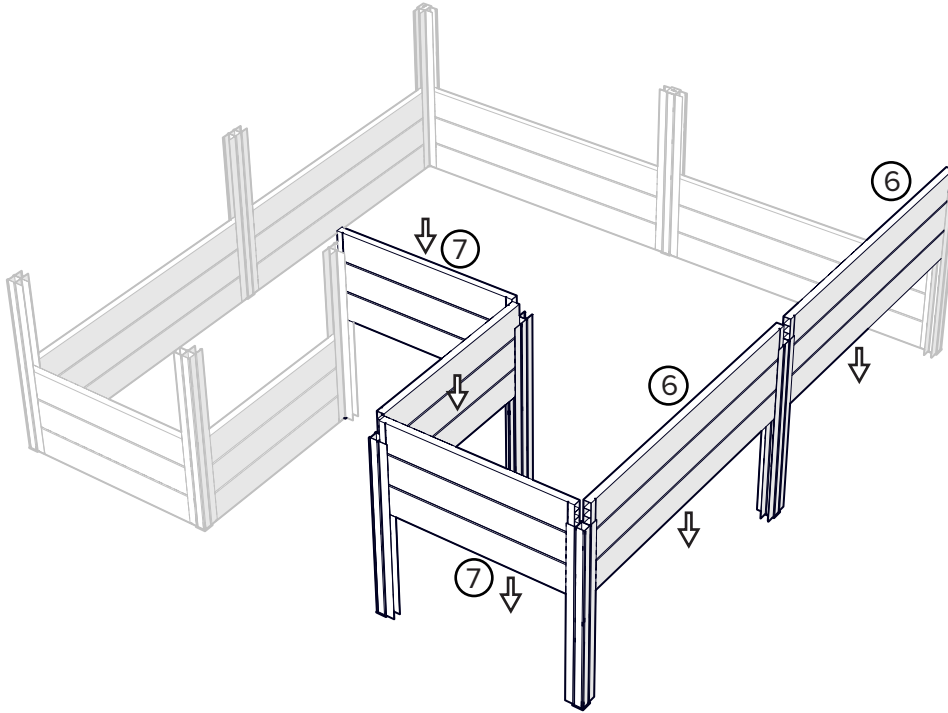


X1

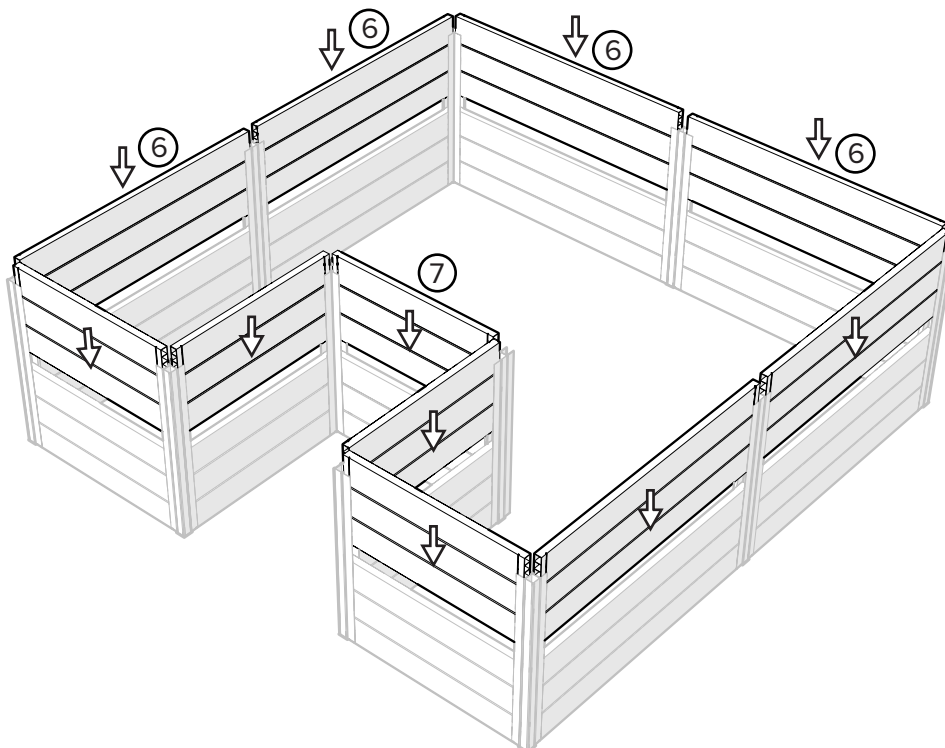


X1

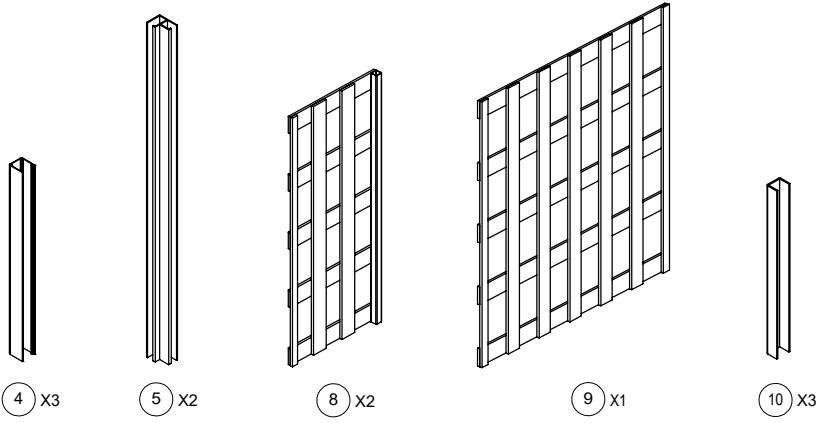
3A



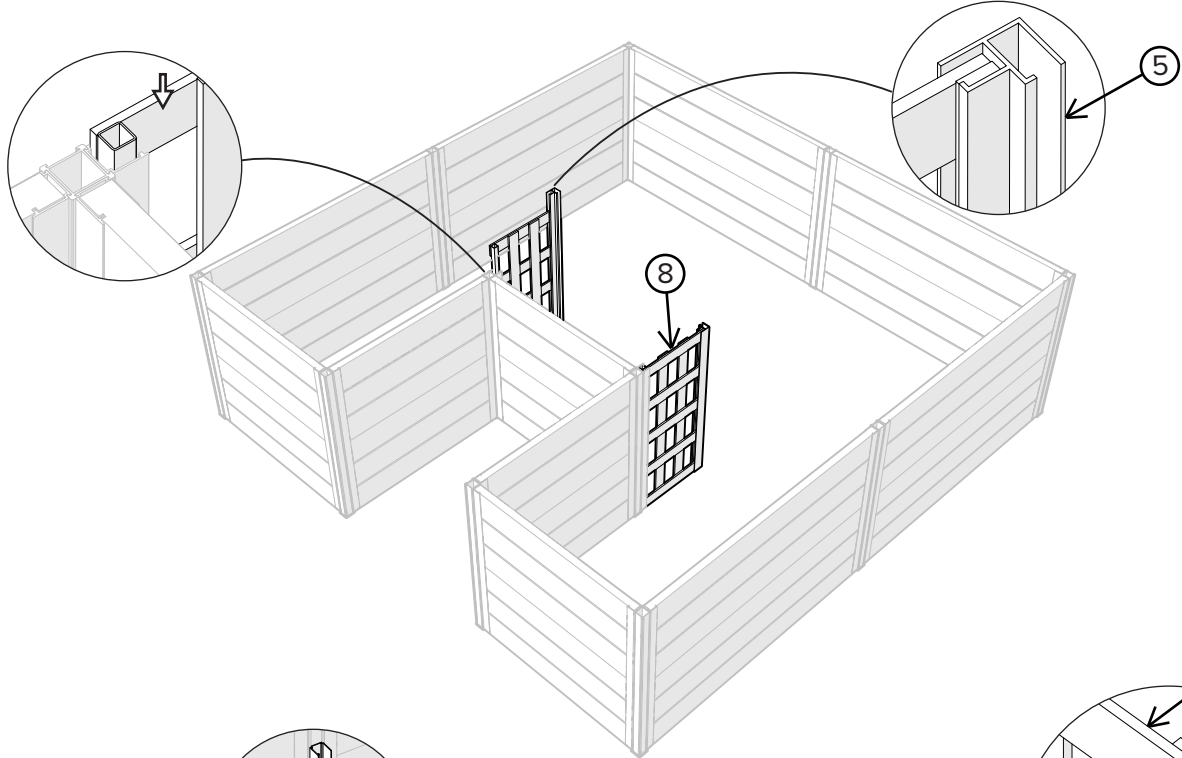
3B



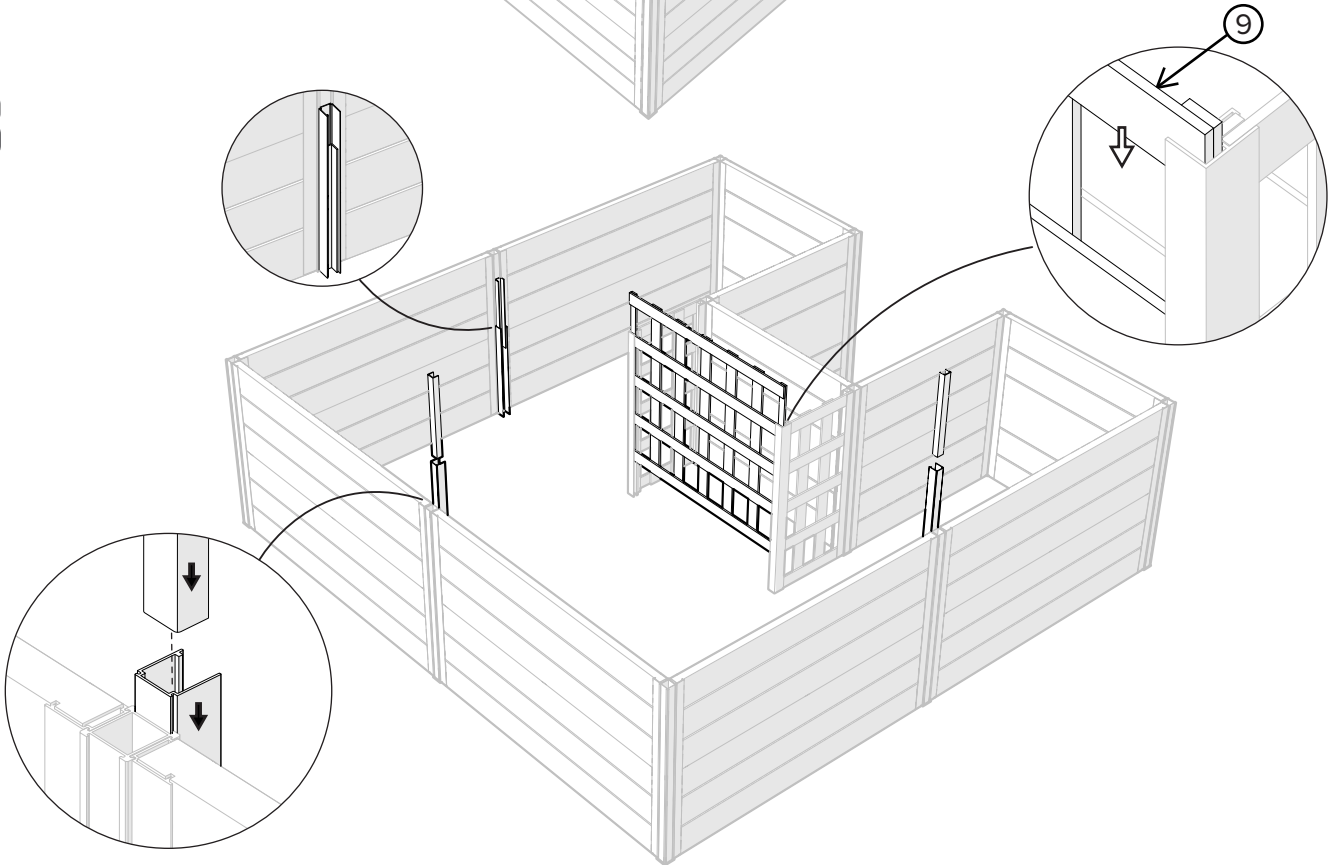
4



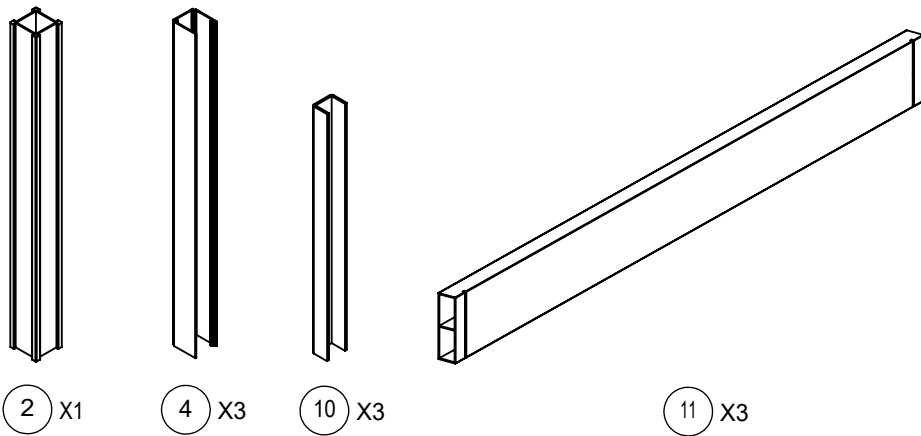
4A



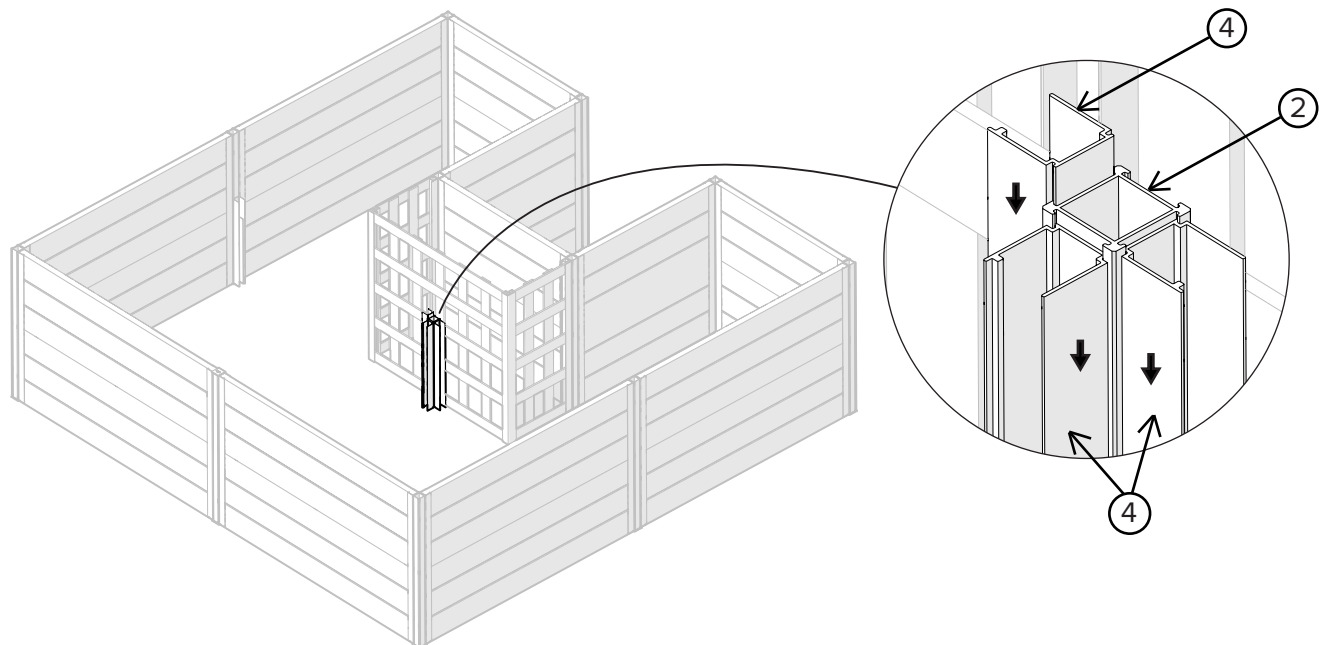
4B



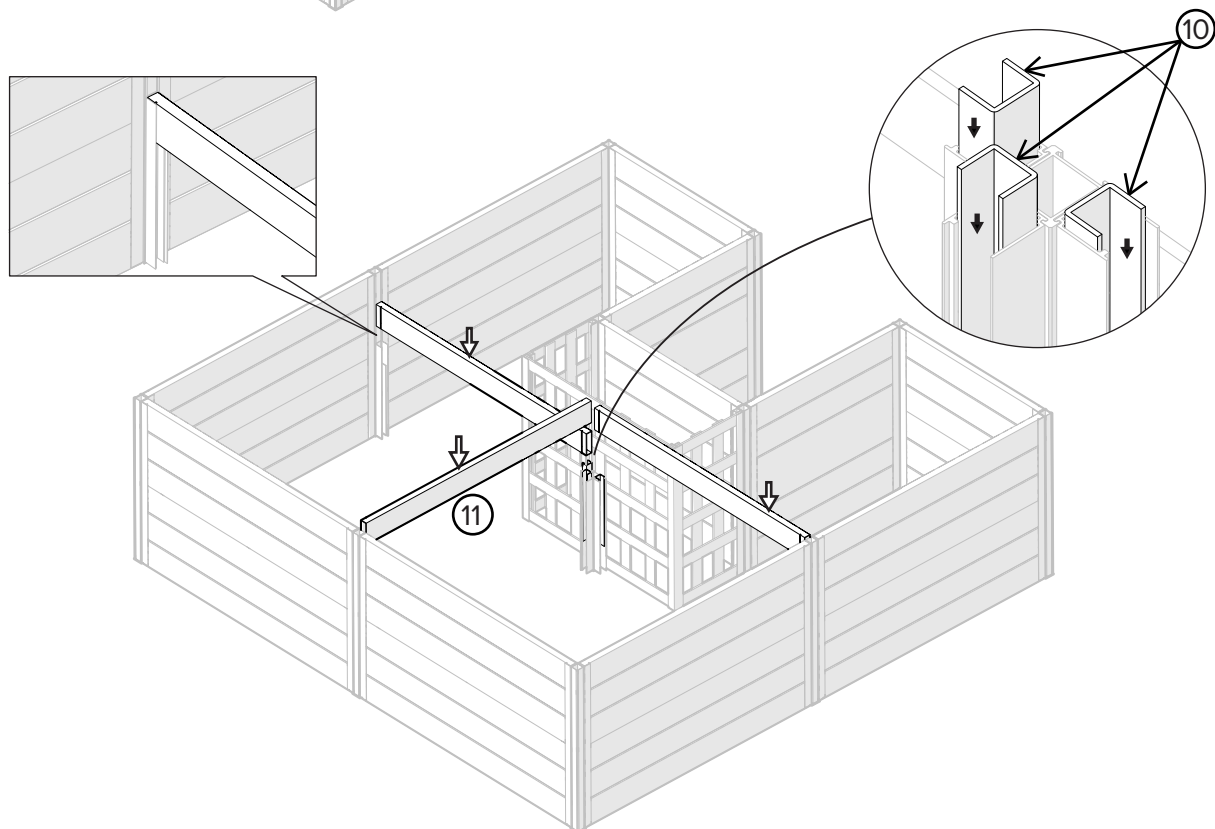
5



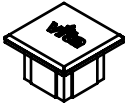
5A



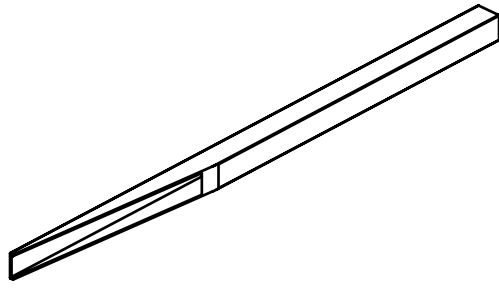
5B



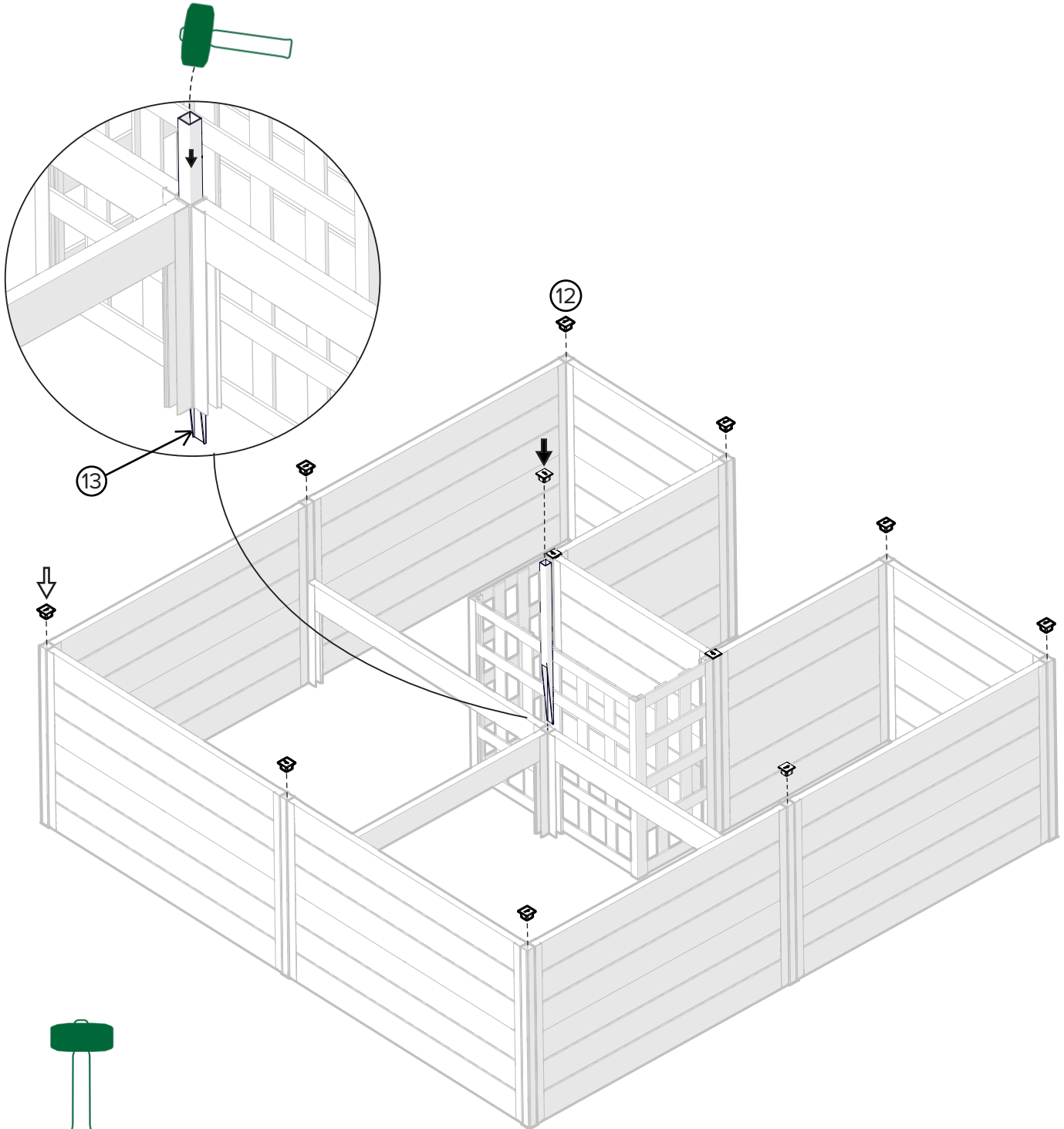
6



12 X12

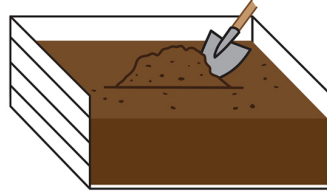


13 X1



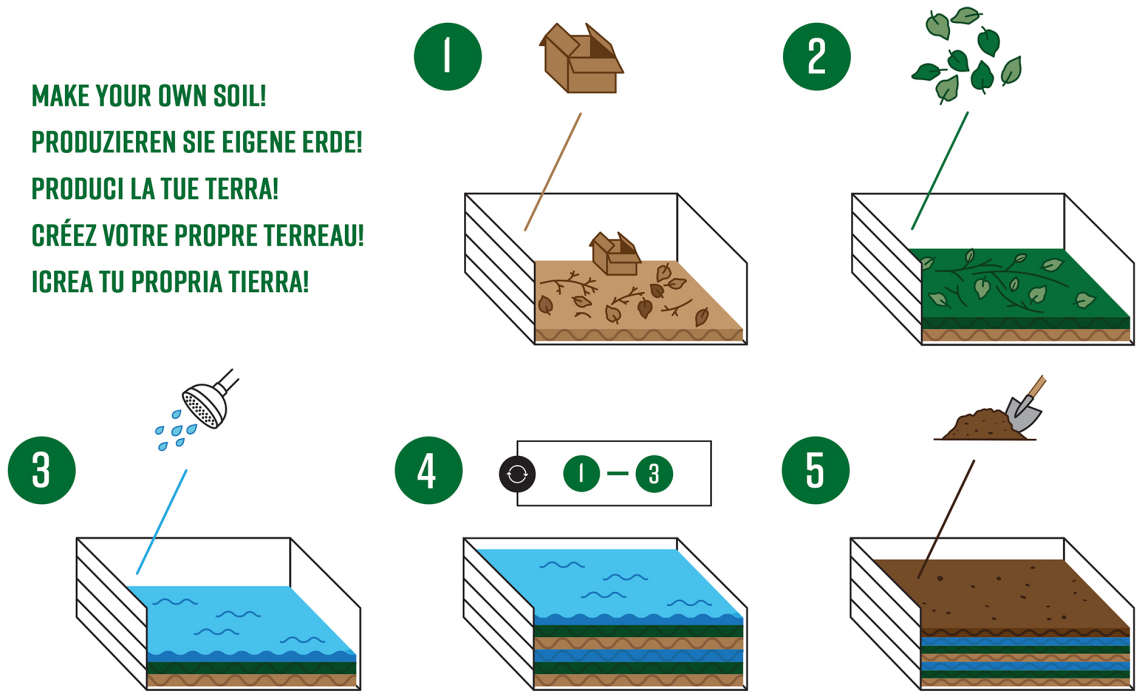
A.

FILL WITH SOIL!
 MIT ERDE FÜLLEN!
 RIEMPI CON TERRA!
 REMPLISSEZ-LE DE TERREAU!
 ILLENAR CON LA TIERRA!



B.

MAKE YOUR OWN SOIL!
 PRODUZIEREN SIE EIGENE ERDE!
 PRODUCI LA TUE TERRA!
 CRÉÉZ VOTRE PROPRE TERREAU!
 ¡CREA TU PROPIA TIERRA!



● CARBÓN | CARBONE
 ● NITRÓGENO | AZOTE

