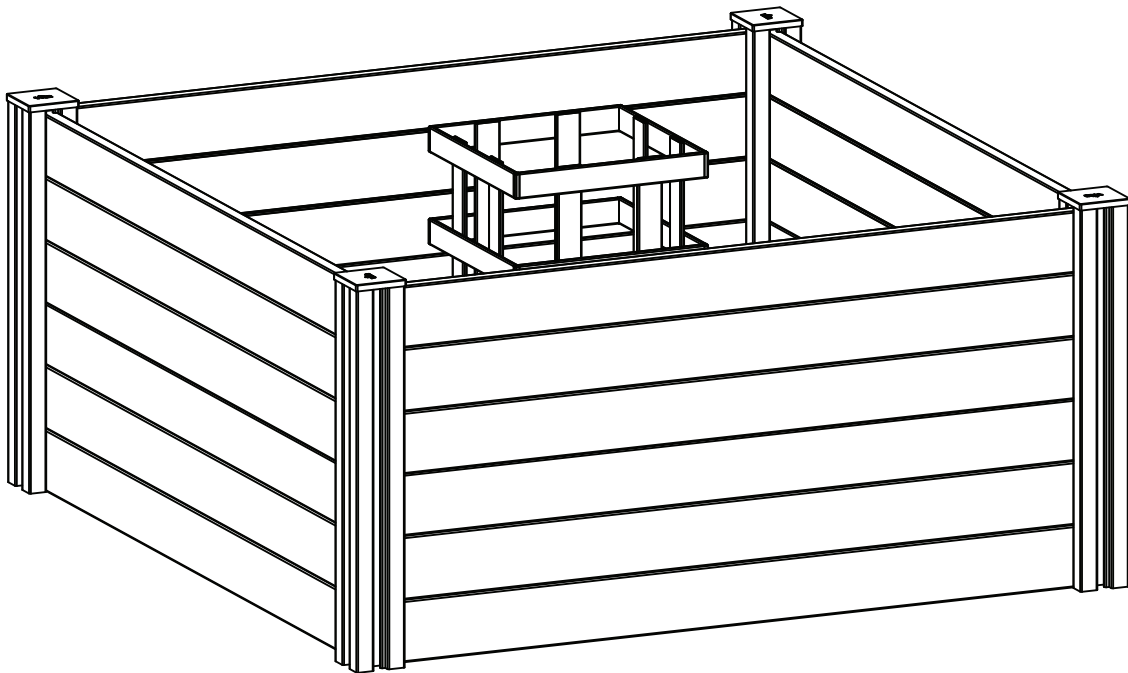




ASSEMBLY GUIDE

4 x 4 Keyhole Composting Garden

48" x 48" x 23 7/8" (122 cm x 122 cm x 61 cm)



Congratulations!

We're thrilled that you chose to purchase your Vita Keyhole Garden. We're sure that you'll not only grow healthy foods but you'll have fun too.

Inspired by the African keyhole gardening technique the Keyhole Composting Garden lets you compost household waste and grow vegetables in the same garden.



Kageyo Garden Project

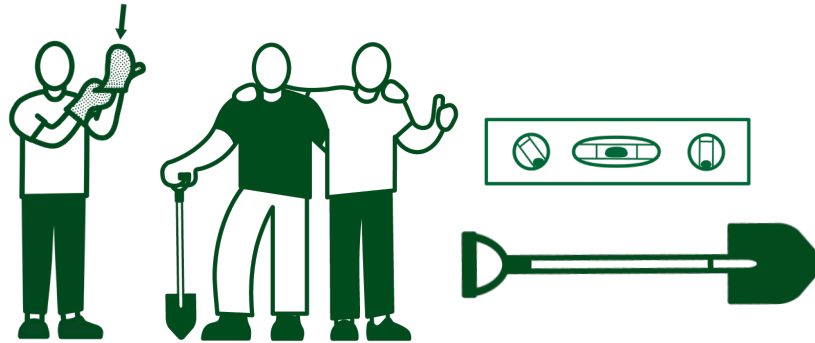
Vita designers stumbled upon the Keyhole garden concept while researching organic gardening methods. This inspired them to create their own series of garden beds using this African gardening technique. This idea was gifted to them by the African people and so they felt compelled to "give back".

The Kageyo Garden Project was born, and now partnered with "Thrive", Vita distributes a portion of their Keyhole profits to build Keyhole Gardens in Rwanda and educate communities in sustainable, healthy food production.

A Great Investment

Your new Vita Keyhole Garden is a fantastic investment for many reasons:

1. Grow your own healthy organic foods
2. Reduce your kitchen waste - and greenhouse gasses
3. Create your own garden soil with easy composting
4. Reduce your water consumption
5. Naturally control weeds
6. Plant earlier (the soil warms faster)



REQUIRED TOOLS AND MATERIALS (NOT INCLUDED)
OUTILS ET MATÉRIAUX REQUIS (NON INCLUS)
HERRAMIENTAS Y MATERIALES REQUERIDOS (NO INCLUIDOS)



HELLO@WEAREVITA.COM



1-800-282-9346

MONDAY - FRIDAY
LUNDI - VENDREDI - 8AM - 5PM EST
LUNES - VIERNES



WWW.WEAREVITA.COM

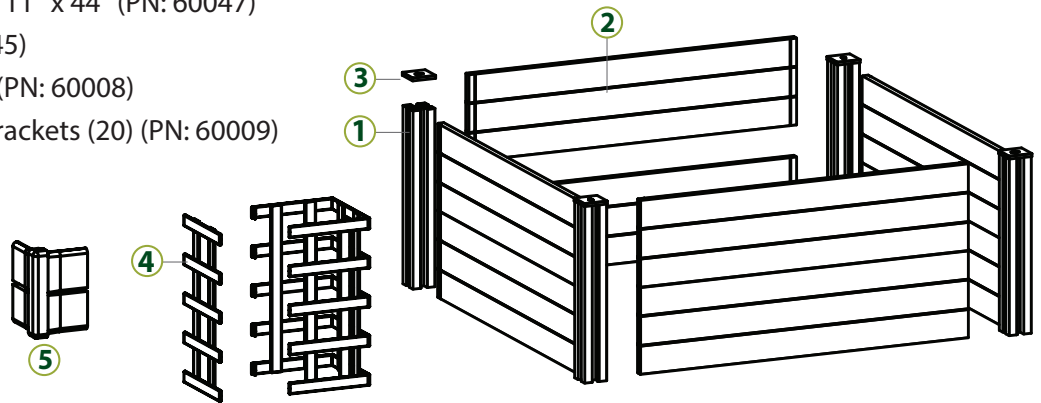
CLICK - CLIQUER - HACER CLIC
'CHAT'



Box Contents

Before you begin, please check the box for these contents. In the event of missing or defective parts please call our customer service department at 1.800.282.9346 Mon. to Fri. 8:00 AM to 5:00 PM EST.

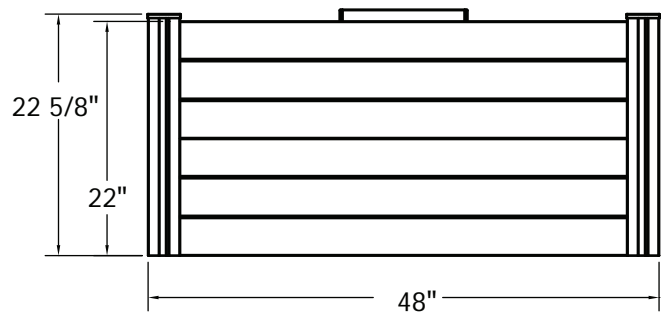
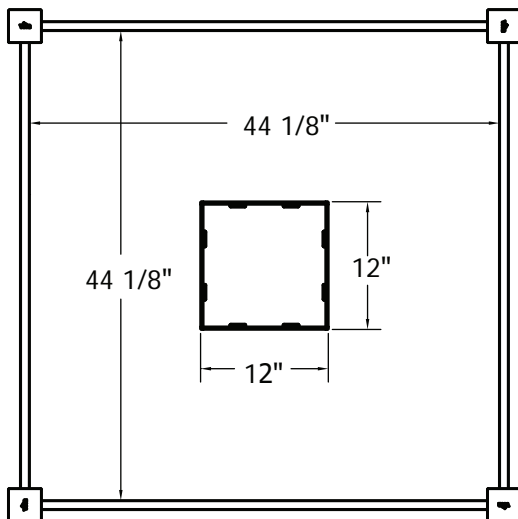
1. Posts (4) - 3" x 3" x 22 1/2" (PN: 60073)
2. Side panels (8) - 7/8" x 11" x 44" (PN: 60047)
3. Post caps (4) (PN: 60045)
4. Basket side panels (4) (PN: 60008)
5. Basket corner joiner brackets (20) (PN: 60009)



General Info

- **Read Instructions through carefully before beginning assembly.**
- When assembling components, place on a non-abrasive surface (*i.e. shipping box*) to avoid scratching.
- We recommend an area approx 4'x 8' for unobstructed assembling.
- You should not need to use excessive force when assembling components.

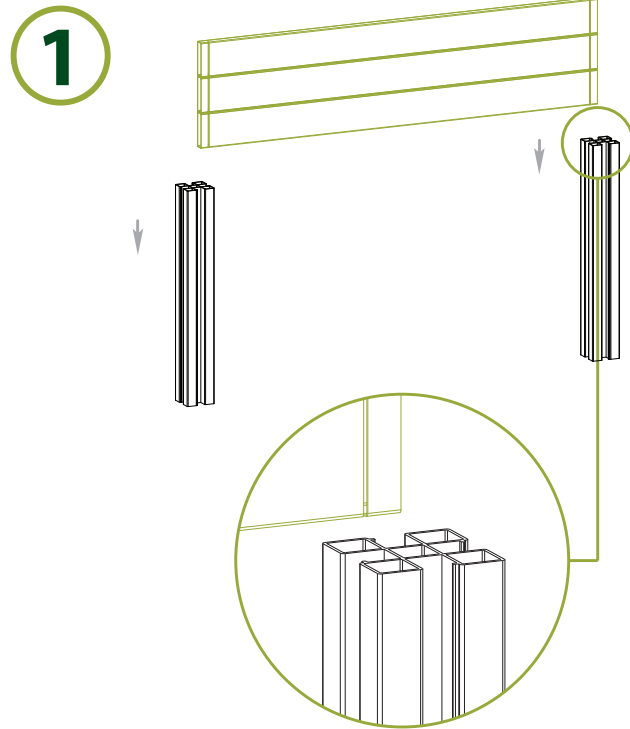
Dimensions



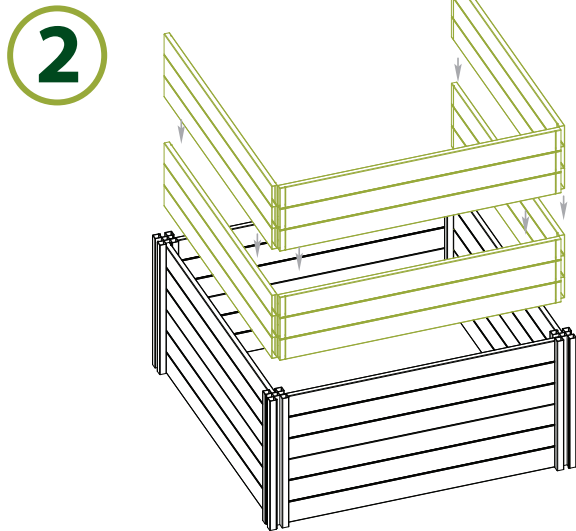
Step 1

Insert one side panel between the posts as shown.

Notice that there is a groove in the board that corresponds to the tab on the post, this locks the boards in place.

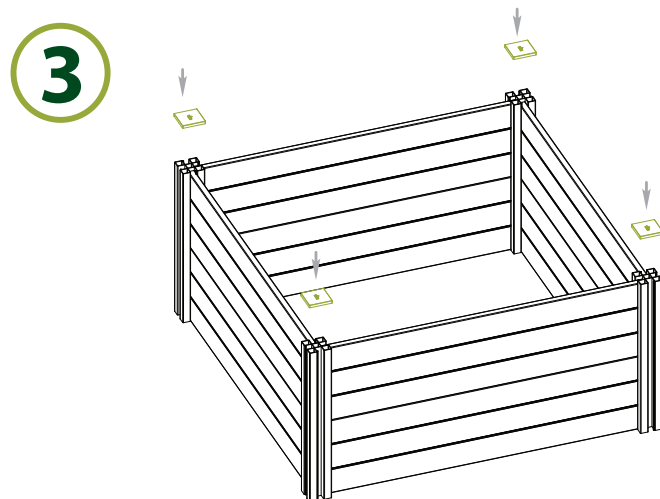


Continue adding boards and posts to create a square, as shown.



Step 3

Insert the post caps.



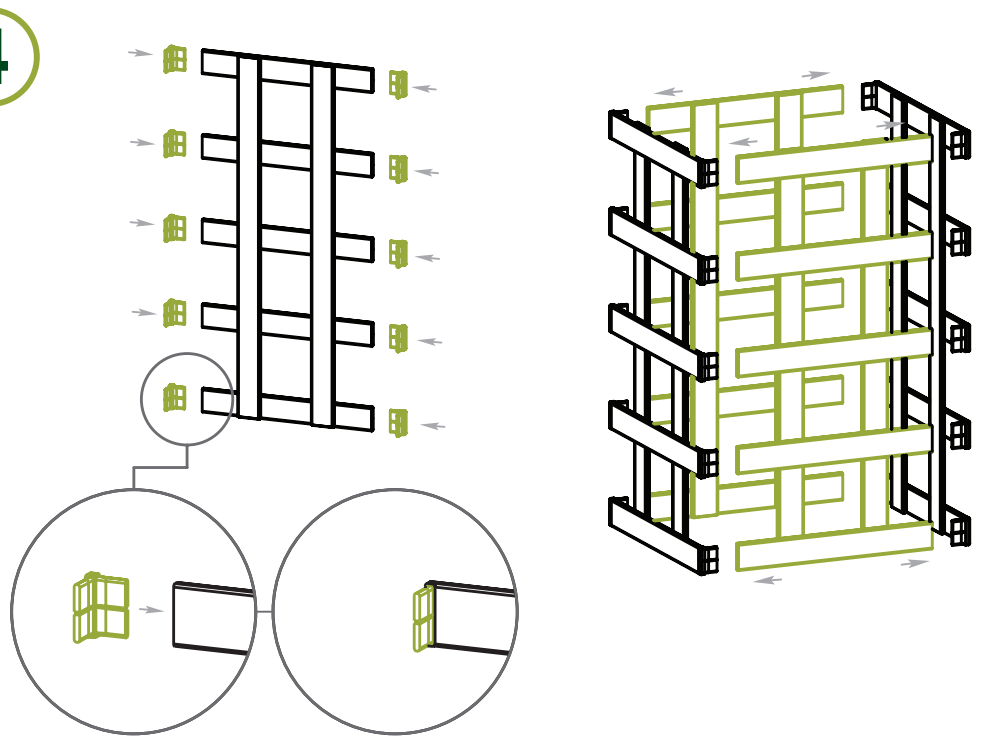
4

Step 4

Insert a basket corner joiner bracket into each end of the basket panel as shown.

Make sure they are all facing the same way. Repeat for 2 basket panels.

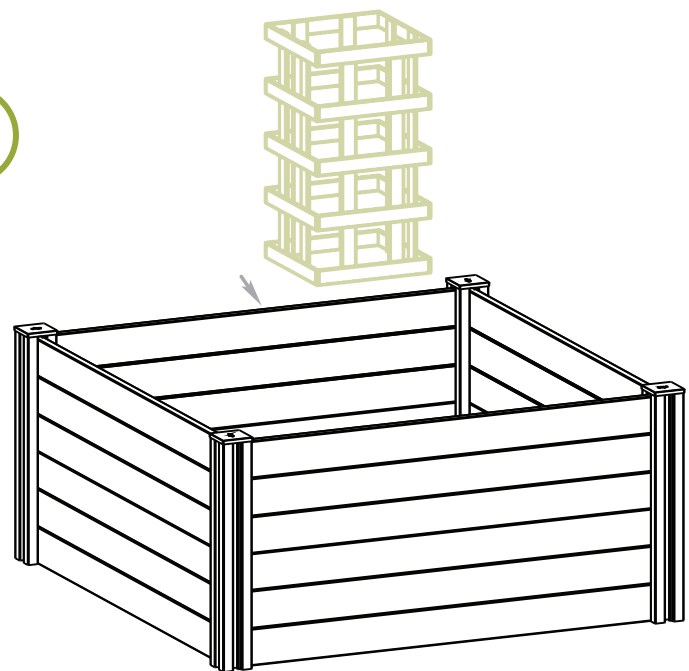
Connect the four basket panels as shown



Step 5

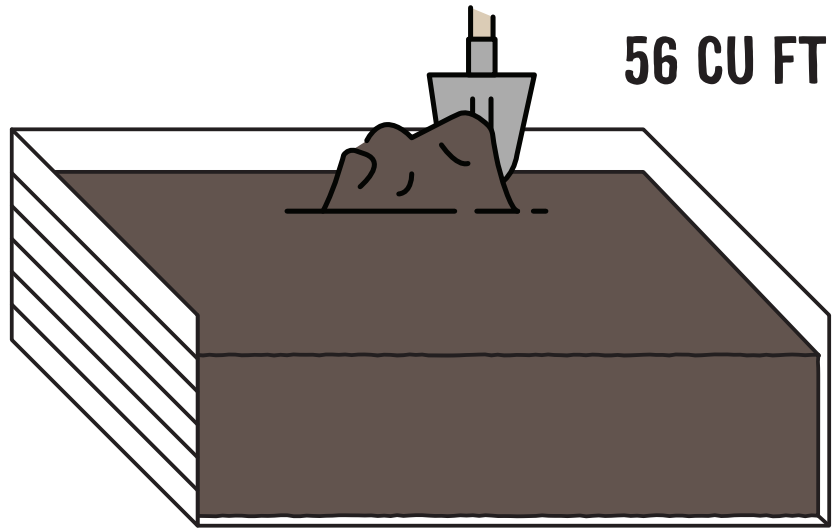
Position your assembled basket inside the garden bed.

5



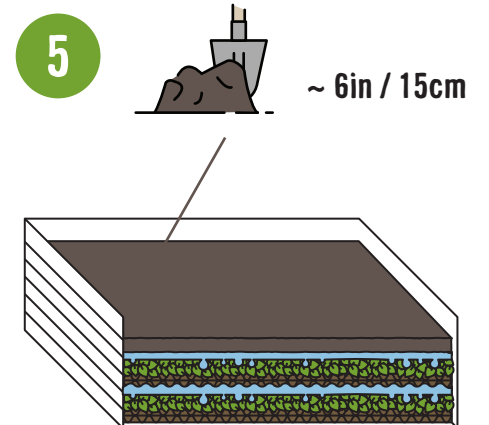
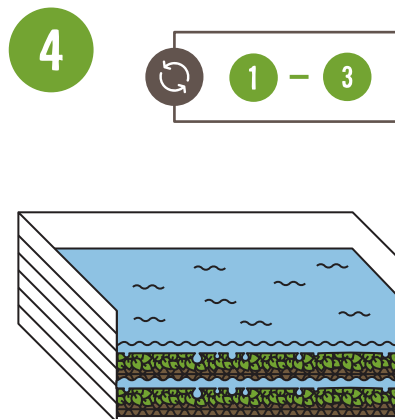
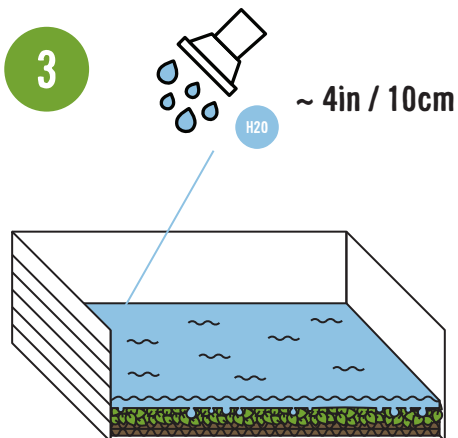
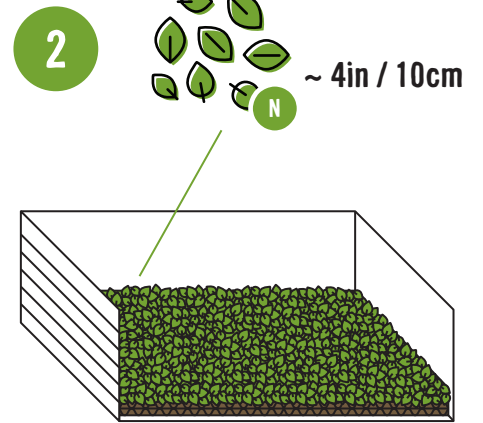
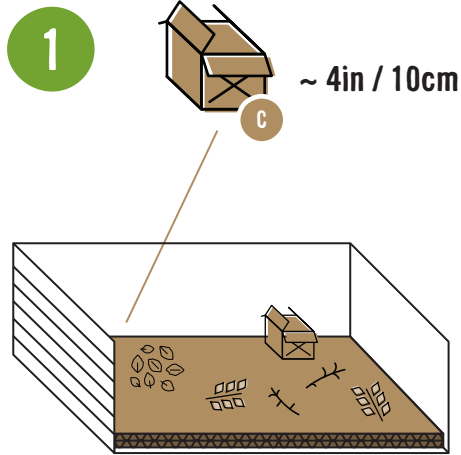
A

FILL WITH SOIL!



B

MAKE YOUR OWN SOIL!



NITROGEN



N



CARBON



C

