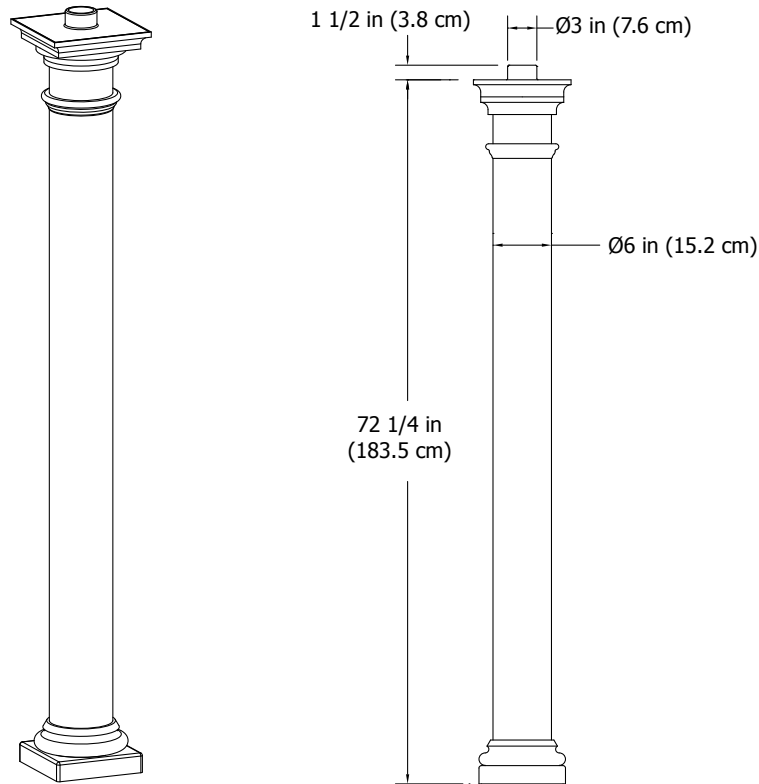


Providence Round Lamp Post



Please read through before starting assembly.

Check Box for These Contents

In the event of missing or defective parts please call our customer service dept. at **1 800 282 9346**
(Mon. to Fri. 8:00 AM to 5:00 PM EST)

1. Round Lamp Post Cap (1) - 11140
2. Post (1) - 6" (15.2cm) Diameter x 72" (183 cm) - 11137
3. Post Trim (1) - 11138
4. Post Bottom Trim (1) - 11139
5. 2 1/2" (64mm) Self-Tapping Screw (1) - 20009-1
6. Tube of Vinyl Weld (1) - 20000

Tools You Will Need

- Level
- Cordless Drill with #2 Phillips Bit
- Ladder
- Tape Measure

Purchased Separately

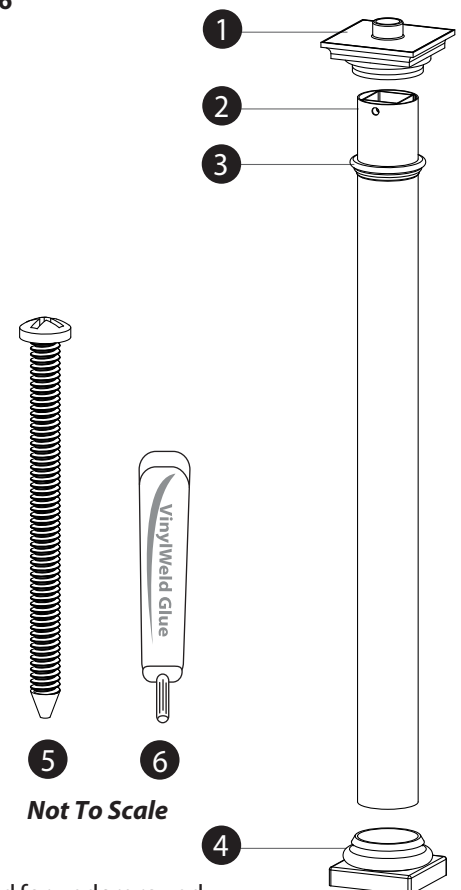
- Lamp Fixture with 3" (7.6 cm) diameter connection
 - 2 Bags of pre-mix concrete
 - 4x4 (10x10cm) Pressure Treated Wood Post - 8' (244cm) Long (1)
- Note** - 4x4 wood posts are typically milled to a dimension of 3.5" x 3.5" (8.9 x 8.9cm)

General Information

- **Read Instructions through carefully before beginning assembly.**
- When handling components, place on a non-abrasive surface (i.e. shipping box) to avoid scratching.
- We recommend an area approx 10'x 8' (3m x 2.4m) for unobstructed handling.

Important Note:

- Please refer to local codes before installing outdoor lighting. UF-rated cable should be used for underground wiring and all materials should be approved by the Underwriter's Laboratory (UL). Vita assumes no liability for errors, omissions, or the outcome of any project.



STEP ONE

Wood Post Installation

1

Determine the location of the post and excavate a 36" (91 cm) Deep x 8" (20 cm) Diameter hole.

2

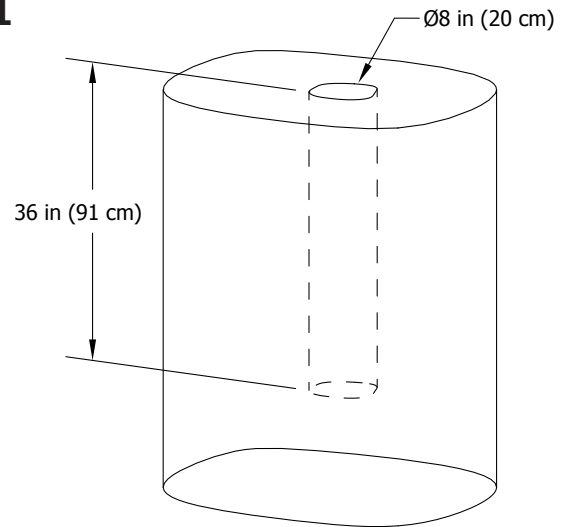
Insert the wooden post and set the post in place using the pre-mix concrete. While the concrete is still wet, make sure the wooden post is plumb in both directions and support it in position until the concrete hardens. Fill within 2" (5 cm) of ground level as shown.

Tip: To allow water runoff, slope the concrete away from the post as shown.

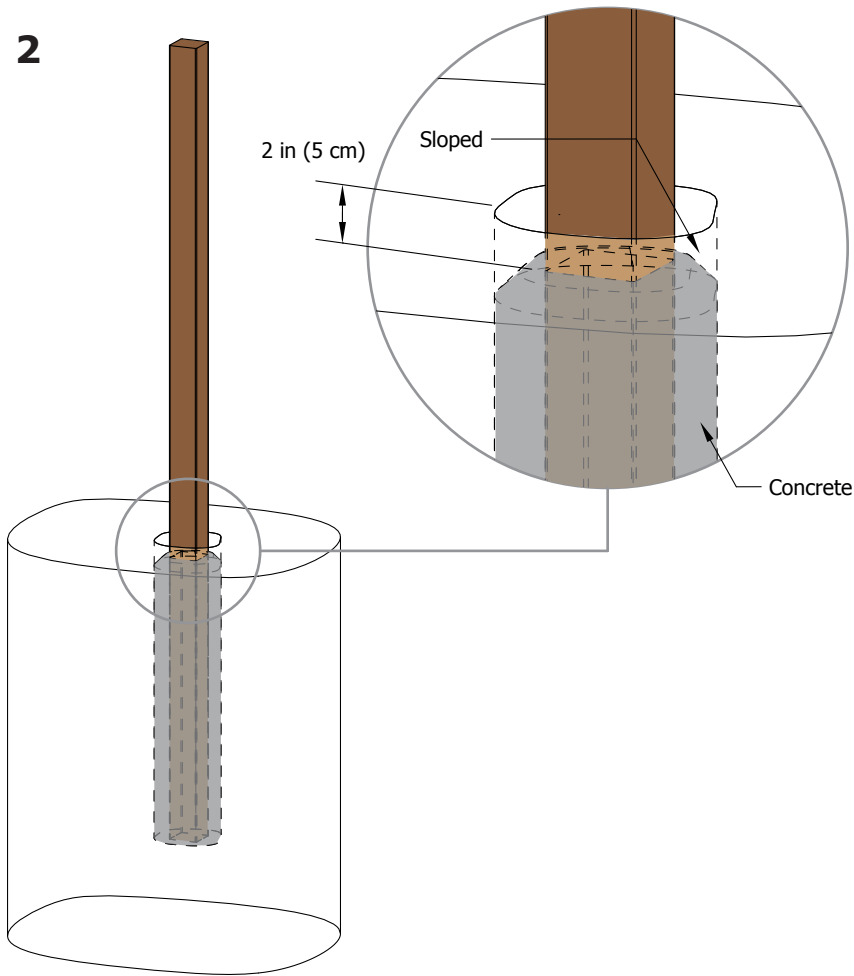
3

Backfill the remaining hole with previously excavated dirt. The wooden post should stick out 60" (152 cm).

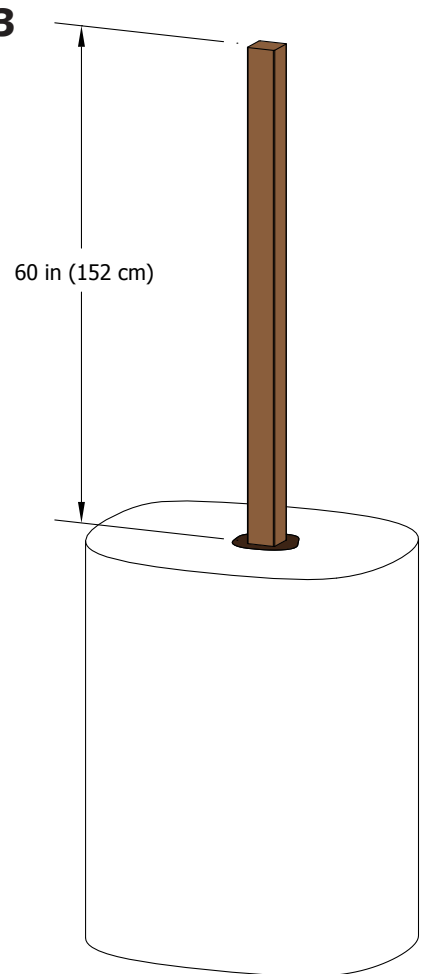
1



2



3



STEP TWO

If the light fixture will be hard-wired, continue reading.
If the light fixture will not be hard-wired (i.e. solar powered), proceed to STEP 3.

1

With the post on its side, run a length of cable along the outer pocket of the extrusion as shown. Be sure to use the pocket adjacent to the pre-drilled hole as shown.

2

Thread the cable through the pre-drilled hole and leave a generous length to allow electrical hook-up to the light fixture later on.

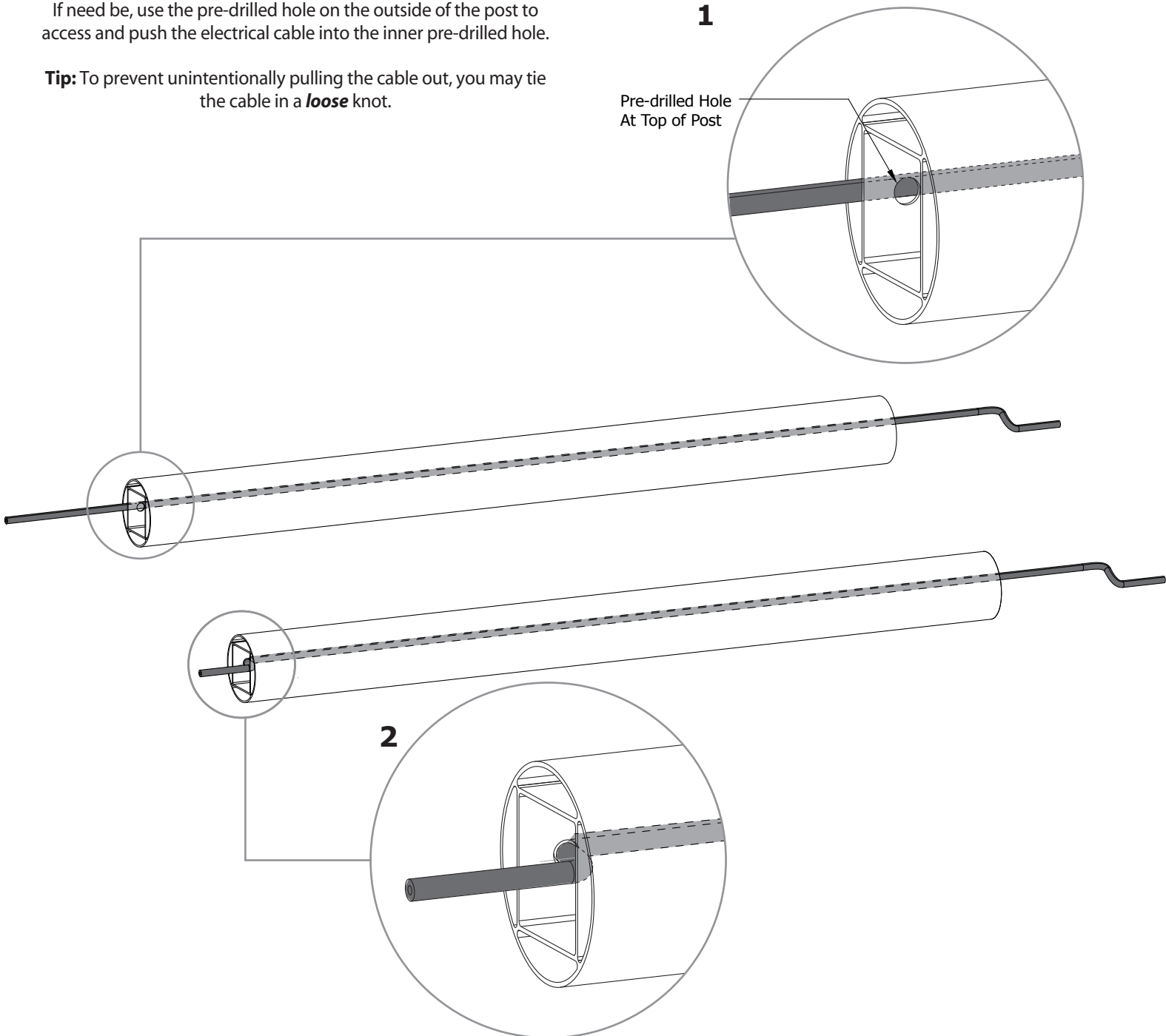
Note: The pre-drilled hole needs to be positioned at the top of the post.

If need be, use the pre-drilled hole on the outside of the post to access and push the electrical cable into the inner pre-drilled hole.

Tip: To prevent unintentionally pulling the cable out, you may tie the cable in a **loose** knot.

1

Pre-drilled Hole
At Top of Post



STEP THREE

Lamp Post Installation

1

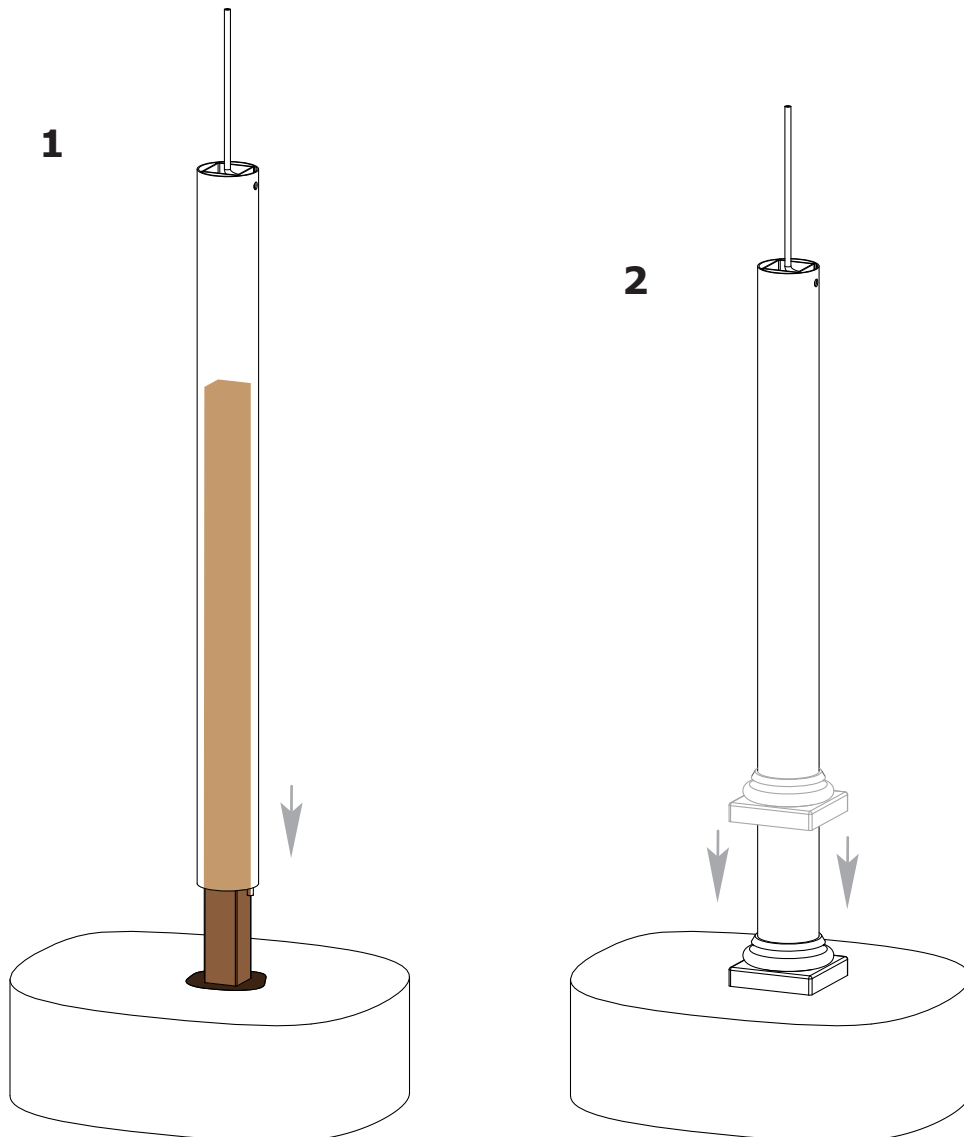
With a helper and a step ladder, place the round post over the wooden post as shown.

Please note that the pre-drilled hole end should be facing up.

IMPORTANT - if applicable, make a note of the location of the electrical cable within the lamp post. This information is required when locking the lamp post in the final step.

2

Slide the Bottom Post Trim over and down the post as shown.



STEP FOUR

1

Slide the post trim down the post temporarily as shown.
The post trim will be glued in place in later steps.

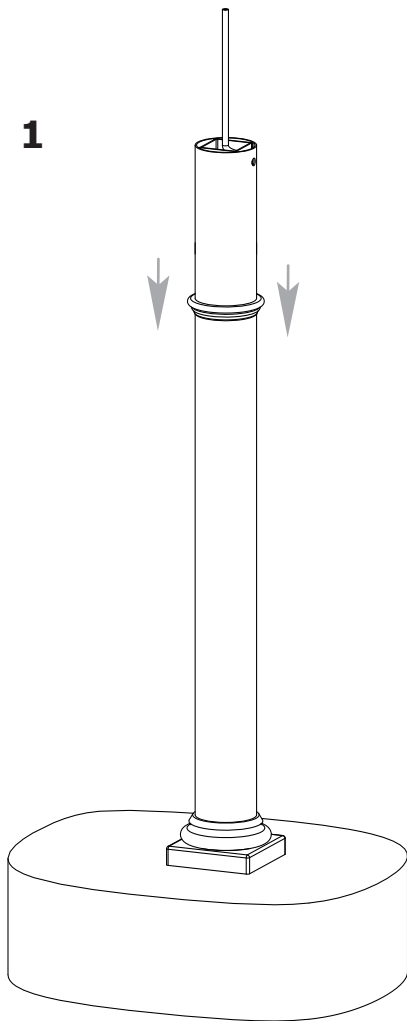
2

Apply a bead of vinyl weld around the inside of the Round Post Cap
1" (2.5 cm) below the bottom edge of the post cap as shown.

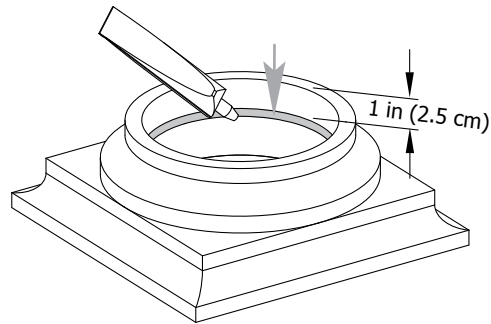
3

Slide the Round Lamp Post Cap over the post as shown.

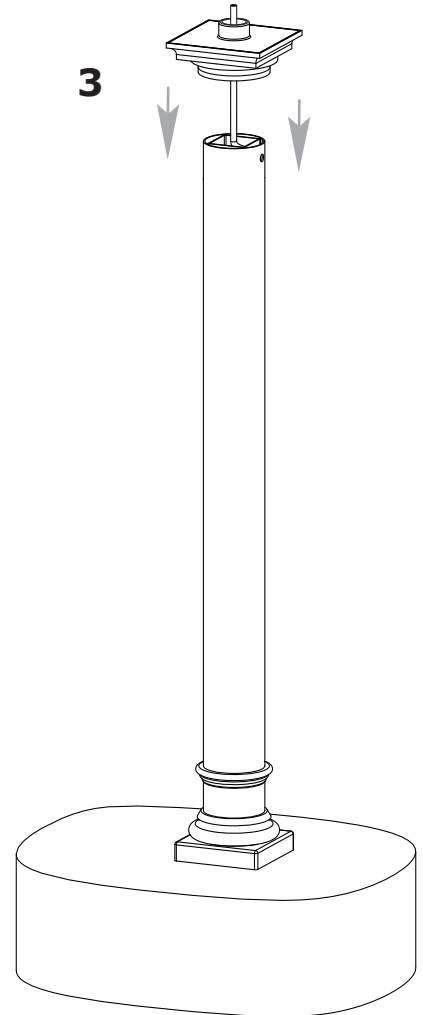
Note: If applicable, the electrical cable should be threaded through
the Round Lamp Post Cap opening as shown.



2



3



STEP FIVE

1

Apply a thin layer of vinyl weld to the outside of the post where you would like your post trim to be located (shown is 3" (7.6 cm))

2

Slide the post trim in place and hold for 20 seconds.

3

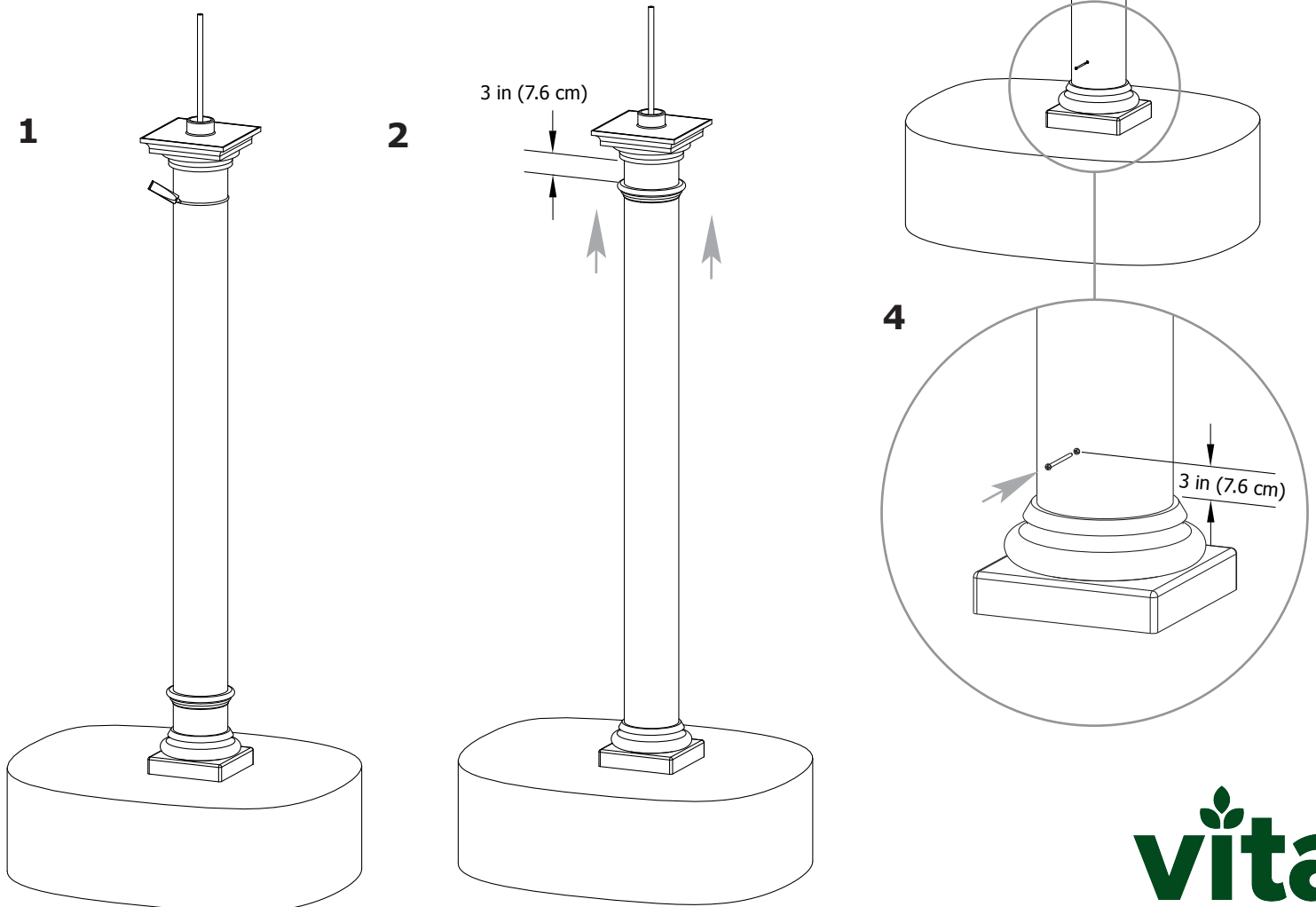
To install the light fixture, follow the instructions provided with the unit.

Follow all local electrical code and when unsure, contact a licenced electrician.

4

To lock the lamp post in place, use a cordless drill with a Phillips bit to set the Self-Tapping 2.5" (64 mm) screw through the the lamp post and into the internal wood post, roughly 3" (7.6 cm) above the Post Bottom Trim as shown. Leaving some space between the screw and the Bottom Post Trim will allow the trim to be temporarily raised for general yard maintenance in the future.

IMPORTANT - to prevent an electrical hazard, set the screw through the opposite side as the electrical cable location, as noted in STEP 3, Point 1.



vita