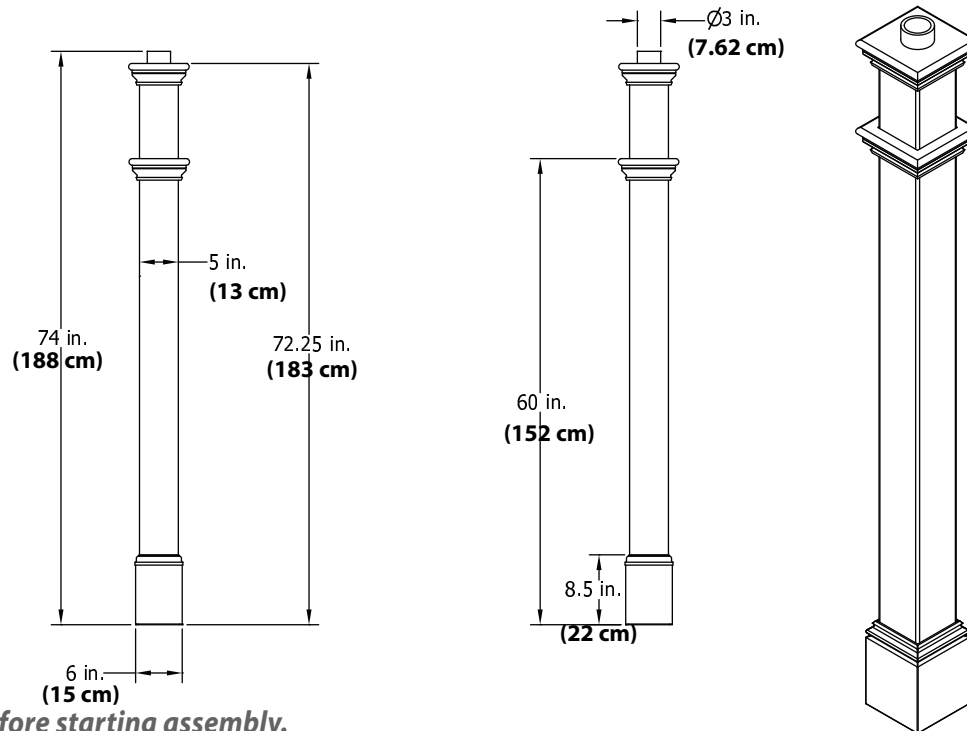


ASSEMBLY INSTRUCTIONS

The Portsmouth/Charleston Lamp Post



Please read through before starting assembly.

Check Box for These Contents

In the event of missing or defective parts please call our customer service dept. at **1 800 282 9346** (Mon. to Fri. 8:00 AM to 5:00 PM EST).

1. Lamp PostTop - A - (1) 5" x 5" x 14" (12.7 x 12.7 x 35.5 cm) - 10889 White, 14054 Brown
2. Post Coupler (1) - 10906 White, 14052 Brown
3. Lamp Post Bottom - B - (1) - 5" x 5" x 58" (12.7 x 12.7 x 147.3 cm) - 10890 White, 14053 Brown
4. Post Cap (1) - 10789 White, 14051 Brown
5. Post Trim (1) - 10698-1 White, 14029 Brown
6. Decorative Base Molding Trim Cap (1) - 10764 White, 14055 Brown
7. Decorative Base Molding - C - (1) - 10173-1 White, 14056 Brown
8. Decorative Base Molding Insert (1) - 10765 White, 14057 Brown
9. 1-1/2" Self-Tapping Screws (4) - 20005 White, 20031 Brown
10. VinylWeld Glue (1) - 20000 White, 20038 Brown

Tools You Will Need

11. Wheelbarrow or bucket (to mix concrete)
12. Tape Measure
13. Level
14. Shovel
15. Drill

Purchased Separately

- Lamp.
- 4x4 Pressure treated lumber. - 8' (2.4 m) long
- Two bags of pre-mix concrete.*

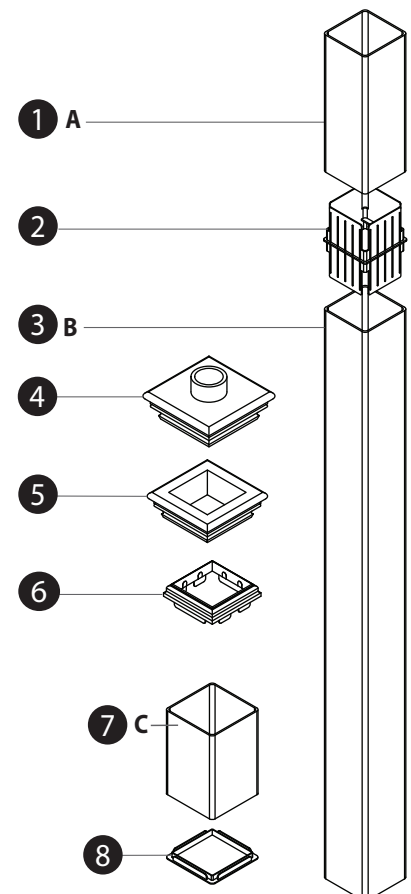
* Strongly recommended for the stability of this product.

General Information

- Read Instructions through carefully before beginning assembly.
- When handling components, place on a non-abrasive surface (i.e. shipping box) to avoid scratching.
- We recommend an area approx 10'x 8' (3m x 2.4m) for unobstructed handling.

Important Note:

- Please refer to local codes before installing outdoor lighting. UF-rated cable should be used for underground wiring and all materials should be approved by the Underwriter's Laborator (UL). Vita assumes no liability for errors, omissions or the outcome of any project.



Not to Scale

STEP ONE

Base Molding Assembly

Apply a generous amount of vinyl glue to the underside of the decorative base trim cap and the top side of the decorative base bottom insert. Attach to the decorative base as shown in diagram 1

STEP TWO

Lamp Post Assembly

A

Apply a generous amount of vinyl glue to the ribbed surface of the post coupler as shown and join the two posts as illustrated.

B

Slide the completed base molding from the bottom of the lamp post into place (Refer to image B).

C

Slide the post trim UP and out of the way, then apply a generous amount of vinyl glue at the top of where the trim would sit.

D

Slide the post trim back down to its desired height and allow some time for the vinyl glue to set for 10 minutes and cure for 24 hours.

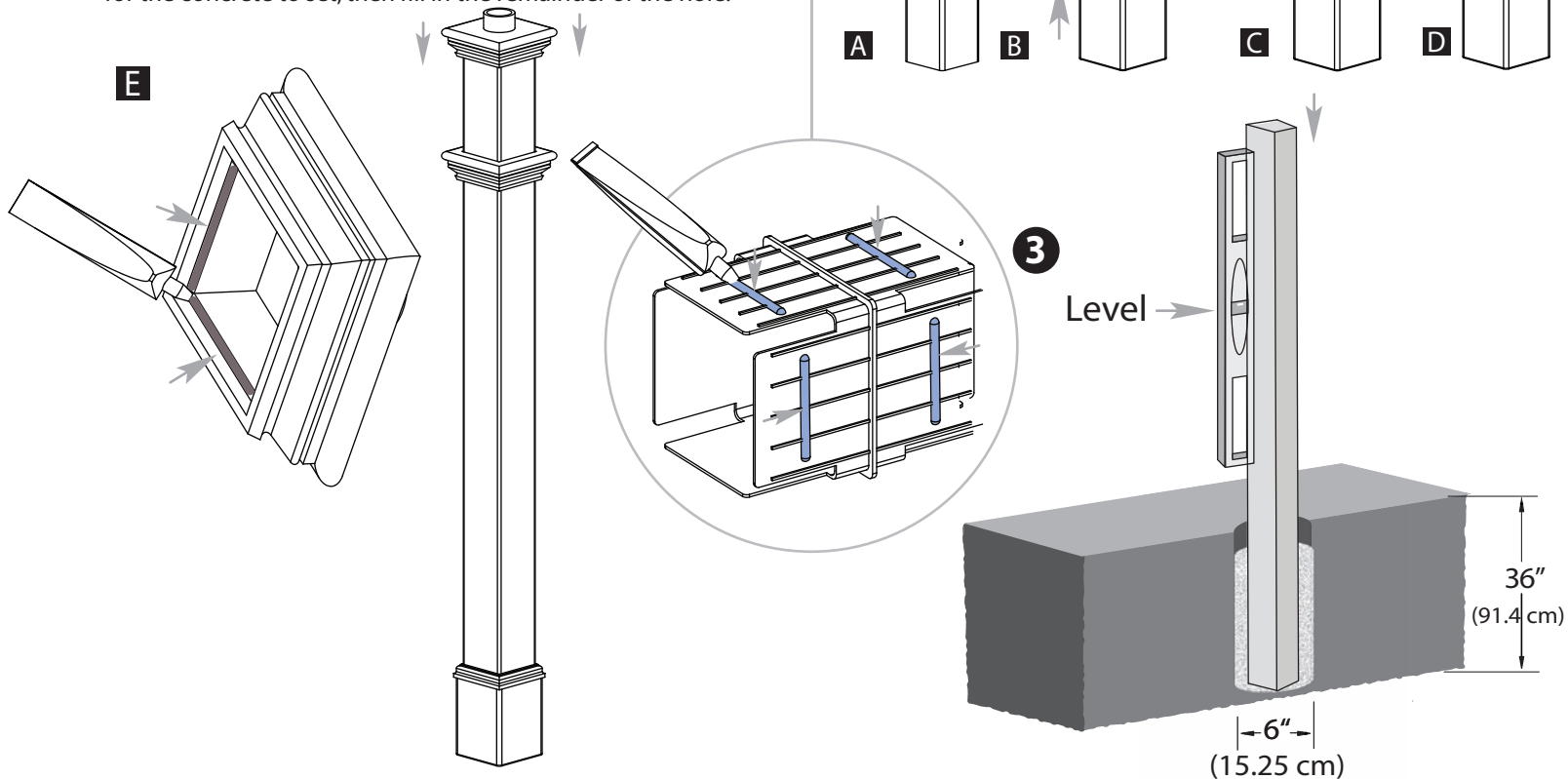
E

Apply a generous amount of vinyl glue to the inside base of the post cap and place over the top end of the lamp post as illustrated.

STEP THREE

Wood Post Installation

Dig 36 in. (91.5 cm) deep hole in the desired location. Verify the depth of the hole to ensure that the 4x4 wood post will be buried 36 in. (91.5 cm) into the ground. Fill the hole 3/4 full with pre-mix concrete (not included). Insert the post into the concrete and check for level. Allow time for the concrete to set, then fill in the remainder of the hole.



Lamp Post Installation

STEP FOUR

Lamp Post Installation

A

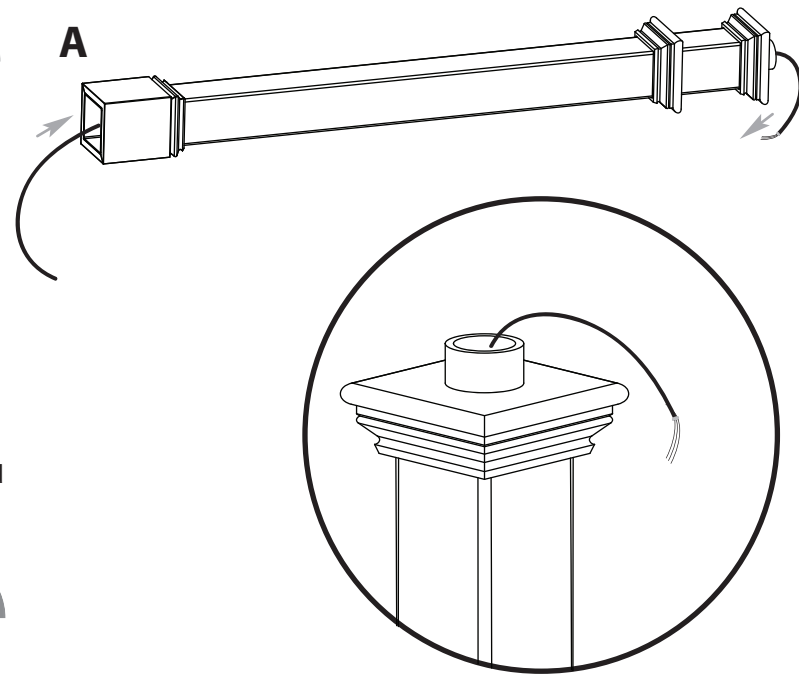
If necessary, pre-wire the lamp by running the wire inside the cavity of the post through the universal 3 in. (7.62 cm) collar. If installing a solar lamp, disregard this step.

B

Slide the lamp post assembly over the wood post.

C

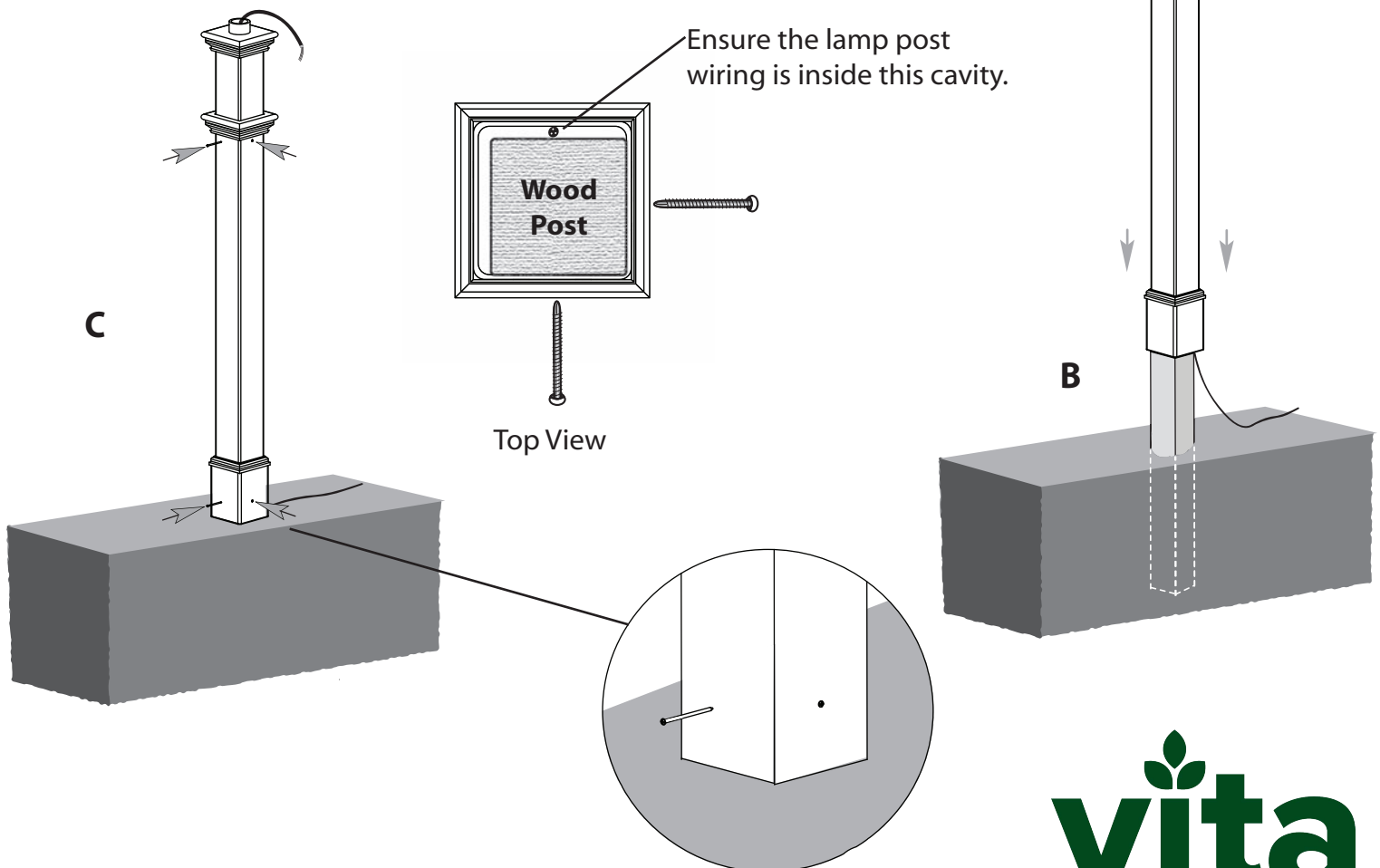
Line up the one corner of the vinyl post up against the wood post and fasten the two touching sides with the provided screws.



STEP FIVE

Installing Lamp

Follow the instructions included with the lamp (purchased separately) and secure it to the round collar on top of the post. You may need to modify how it attaches to the collar.



vita