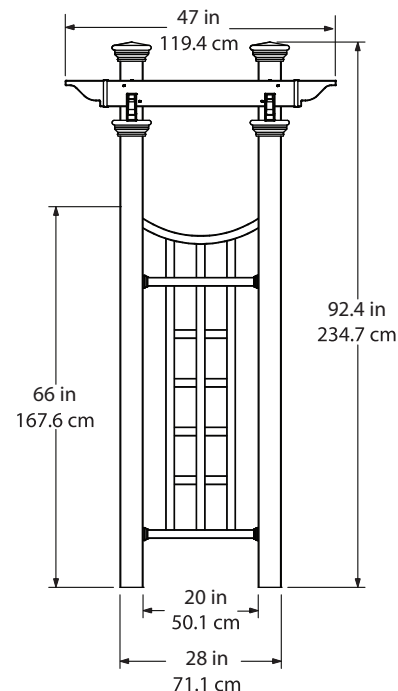
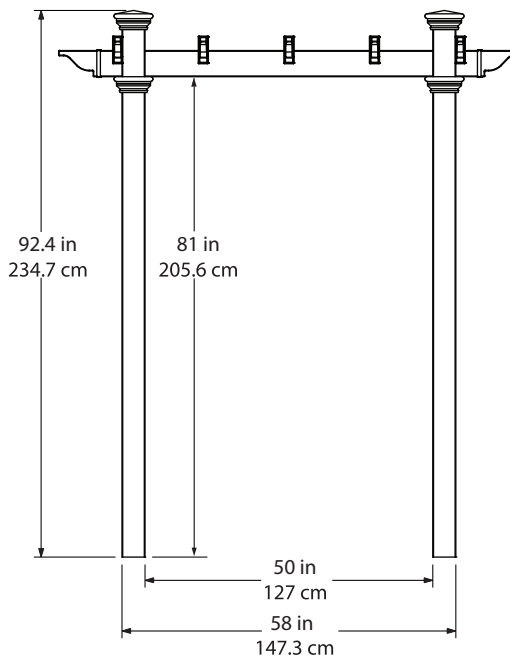
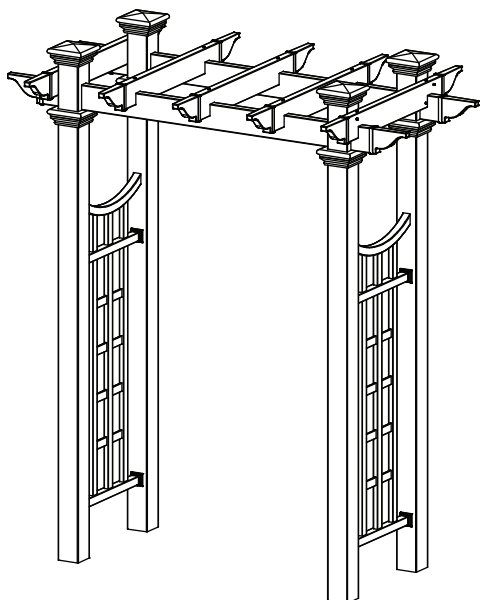


## The Fairfield Deluxe Arbor / Arch



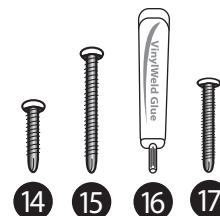
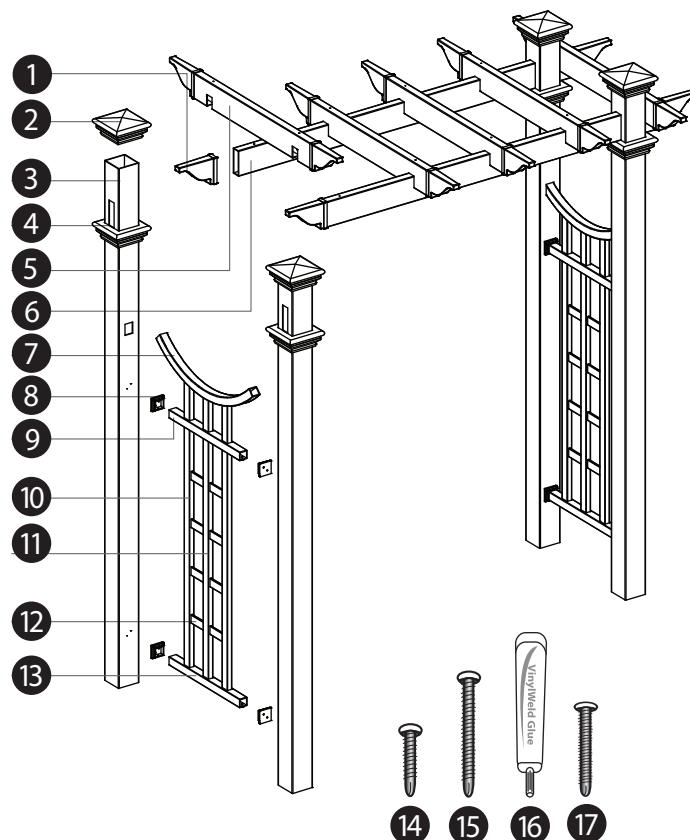
Please read through before starting assembly.

**IMPORTANT: CHECK THE INSIDE OF YOUR POSTS FOR ALL MATERIALS.**

### Check Box for These Contents

In the event of missing or defective parts please call our customer service dept. at 1 800 282 9346 (Mon. to Fri. 8:00 AM to 5:00 PM EST)

1. Pergola End Caps (14) - 10700-1
2. Post Caps (4) - 10735-1
3. Posts (4) - 4"x4"x 90.5" (10.2 x 10.2 x 230 cm) - 10736-1
4. Post Trims (4) - 10737-1
5. Rafters (5) - 33.5" (85 cm) - 10734-1
6. Carrying Beams (2) - 66.5" (169 cm) - 10739-1
7. SidePanelCurvedTop-Rails (2) - 10740-1
8. Sur-Fit Bracket for Side Panel Horizontals (8) - 10730-1
9. Side Panel Horizontal Mid-Rails (2) - 19.75" (50.2 cm) - 10741-1
10. Side Panel Outside Vertical Spindles (Long) (4) - 52.75" (134 cm) - 10742-1
11. Side Panel Middle Vertical Spindles (Short) (2) - 52.125" (132.4 cm) - 10743-1
12. Side Panel Horizontal Short Spindles (8) - 11.85" (30 cm) - 10744-1
13. Side Panel Horizontal Bottom Rails (2) - 19.75" (50.2 cm) - 10745-1
14. 1 1/2 in. (3.8 cm) Stainless Steel Screws (for Sur-Fit Brackets) (24) - 20005
15. 3 in. (7.6 cm) Stainless Steel Screws (for Rafters) (18) - 20007
16. Tube of Vinyl Glue (1) - 20000
17. 2 1/2 in. (6.3 cm.) Stainless Steel Screws (for wood post to post connection) (8) - 20009-1



(Not to scale)

## General Information

- Read Instructions through carefully before beginning assembly.
- When assembling components, place on a non-abrasive surface (i.e. shipping box) to avoid scratching.
- We recommend an area approx 10'x 8' for unobstructed assembling.
- You should not need to use excessive force when assembling components.

## Tools You Will Need

- Hammer
- Tape Measure
- Level
- Stool or Short Ladder
- Shovel or Auger
- Cordless Drill

## Additional Materials Required

- 4" x 4" x 8' (244 cm) Long Wood Posts (4)  
(Only for Option 1)
- Concrete Ready Mix  
\* Purchase separately from your local lumber store

### You have Two Options to secure the Arbor

(\* purchased separately)

#### OPTION ONE - If Your Arbor:

- is going to be installed with fencing or a gate
- is located in a high wind or hurricane area
- is located in ground conditions that are not level

Consider Using:

**\*4" x 4" x 8' Long Wood Post (4)**

#### 17 2 1/2" Stainless Steel Screws (8)

- Recommended to be installed in concrete footing

#### OPTION TWO - If Your Arbor:

- is intended to be used as a stand alone garden accent or pathway
- is located on level ground

Consider Using:

**\*4" EZ Mount Post (Package of 4)**

- Purchase from Vita, [www.wearevita.com](http://www.wearevita.com)
- Instructions are included with the kit

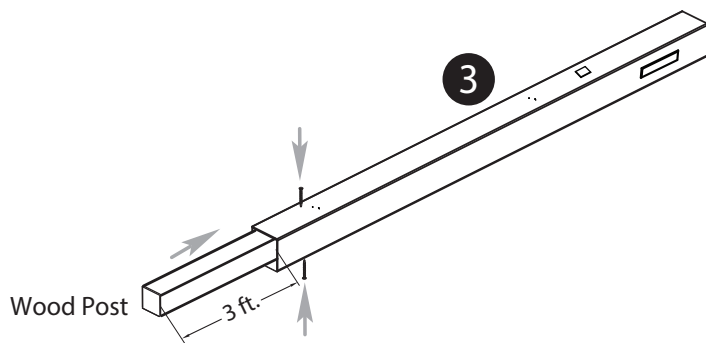
### Important Note for Option 1:

**If you are planning on installing your arbor into the ground using pressure treated wood posts, we recommend installing the wood into the posts at this stage prior to securing the Sur-Fit brackets.**

**Insert the wood post into the bottom of the post until it is approximately 5 ft (152.4 cm) into the vinyl cavity with approximately 3 ft (91.45 cm) remaining at the bottom to insert into the ground. Repeat the same procedure for the remaining 3 posts.**

**Using two of the 2 1/2" screws provided per post, secure the bottom of the vinyl to the wood approximately 9" up from the bottom of the vinyl sleeve, just below the routed hole in the post.**

**If you are using Option 2 method, you can disregard this note and proceed with Step 1 as indicated.**

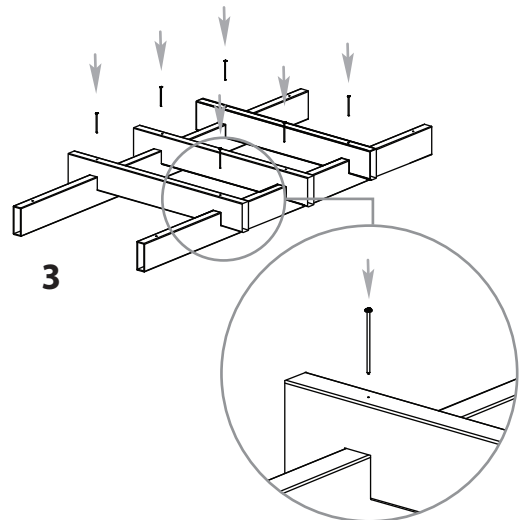
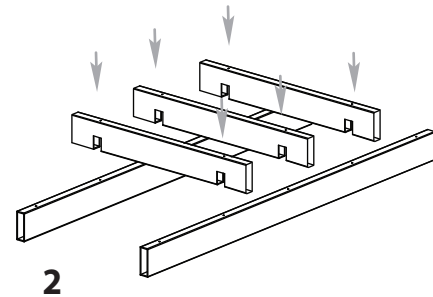
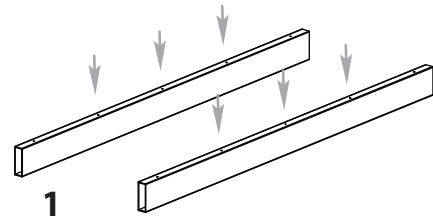


## STEP ONE



### Assemble the Arbor / Arch Top

- 1 Lay out the two carrying beams as illustrated with pre-drilled holes facing up.
- 2 Position the three rafters over the respective pre-drilled holes on the carrying beams as illustrated.
- 3 Using the 3" (76 mm) screws fasten the three middle rafters to the carrying beams.

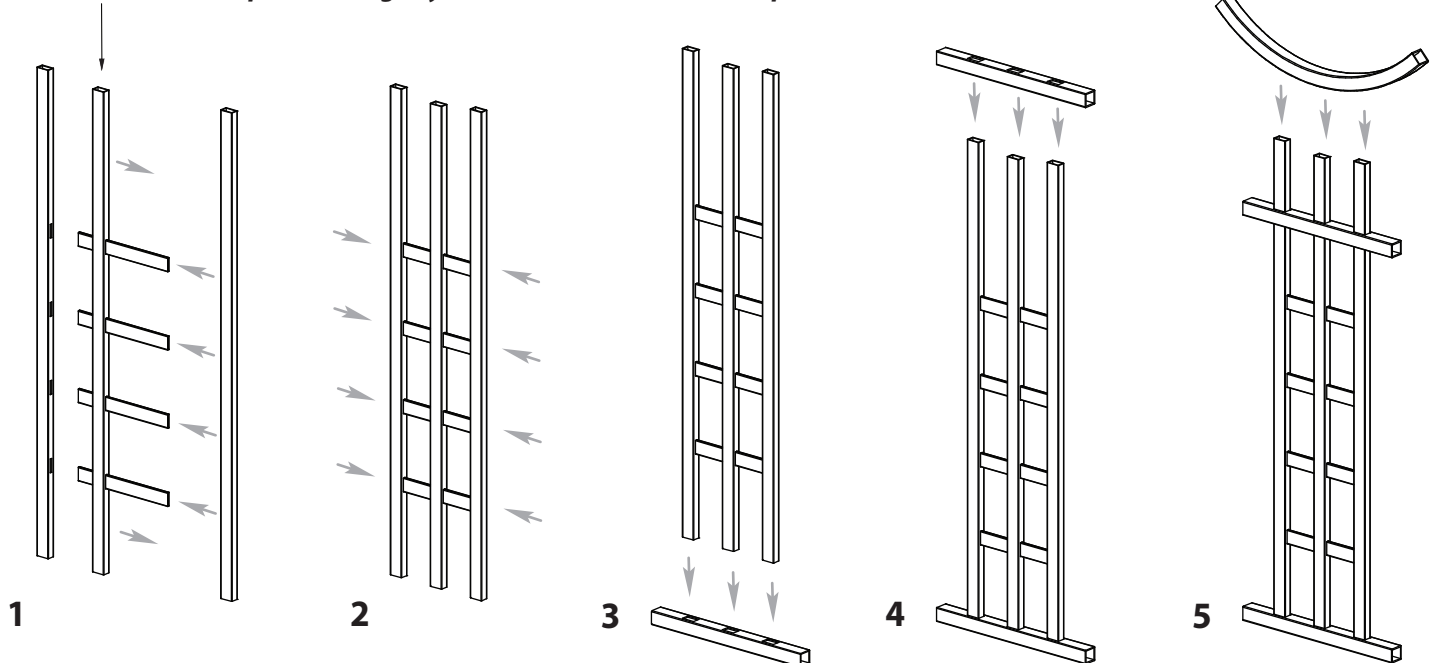


## STEP TWO

### Assemble the Side Panels

- 1 Insert the short horizontal spindles into the middle vertical spindle (holes on both sides).
- 2 Slide the two outside vertical spindles into position as illustrated (holes on one side).
- 3 Layout the bottom rail and insert the vertical spindles as illustrated.
- 4 Slide horizontal mid-rail over the vertical spindles as illustrated.
- 5 Slide the horizontal curved rail down over the vertical spindles as illustrated to complete one side panel.
- 6 Repeat for other side panel.

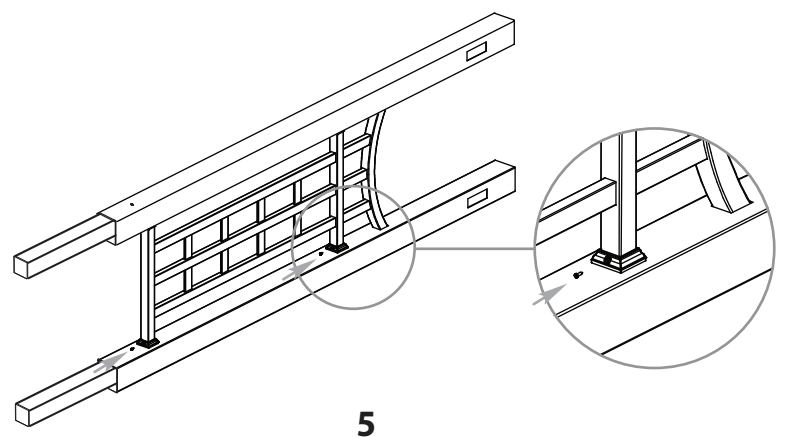
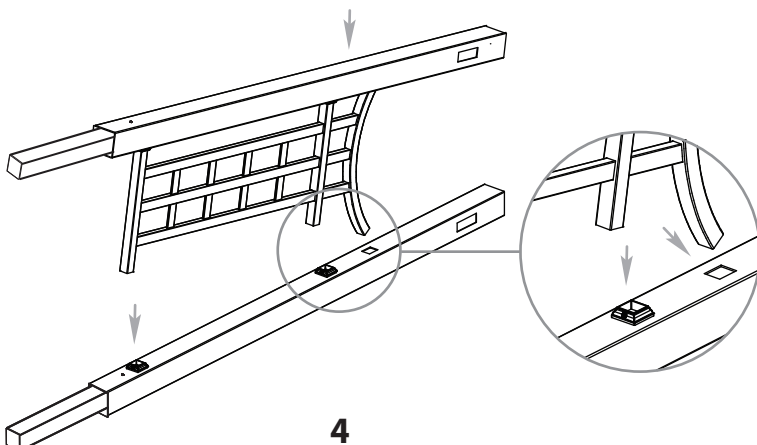
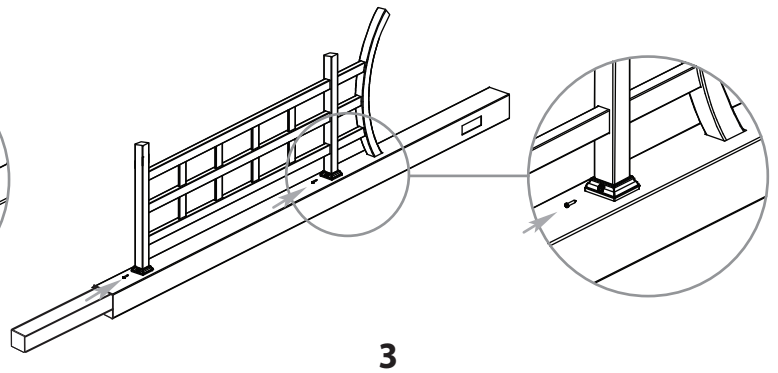
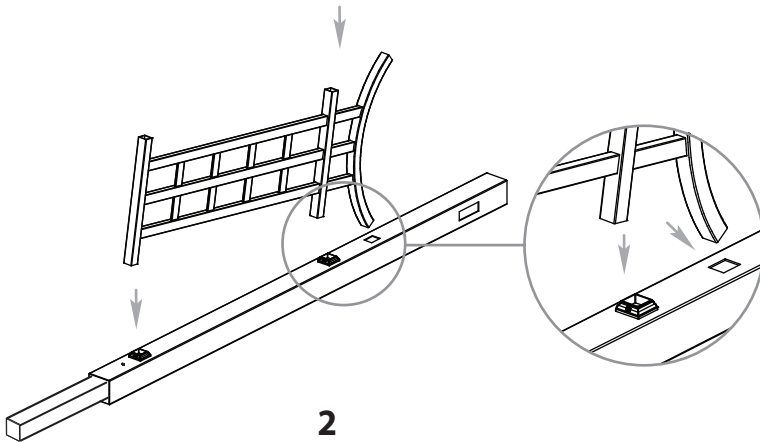
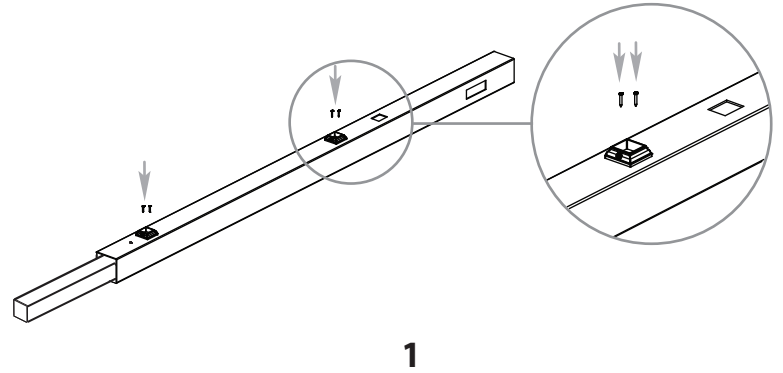
**Note: Middle Spindle is slightly shorter than Side Vertical Spindles.**



## STEP THREE

### Attach Sur-Fit Brackets

- 1** Attach Sur-Fit Brackets using 1 1/2" (38 mm) screws onto the posts using the pre-drilled holes as guides. Single hole on the side of brackets to face down.
- 2** Set out one post and complete the side panel by inserting the curved top rail first into the hole on the post, followed by the other two rails into the brackets on the post as illustrated.
- 3** Fasten horizontal rails into the Sur-Fit Brackets using small screws as illustrated. You will need a helper at this stage.
- 4** Layout the opposite post and insert the finished side panel with post connected as illustrated.
- 5** Fasten horizontal rail into Sur-Fit Brackets using small screws.
- 6** Repeat for other side panel.

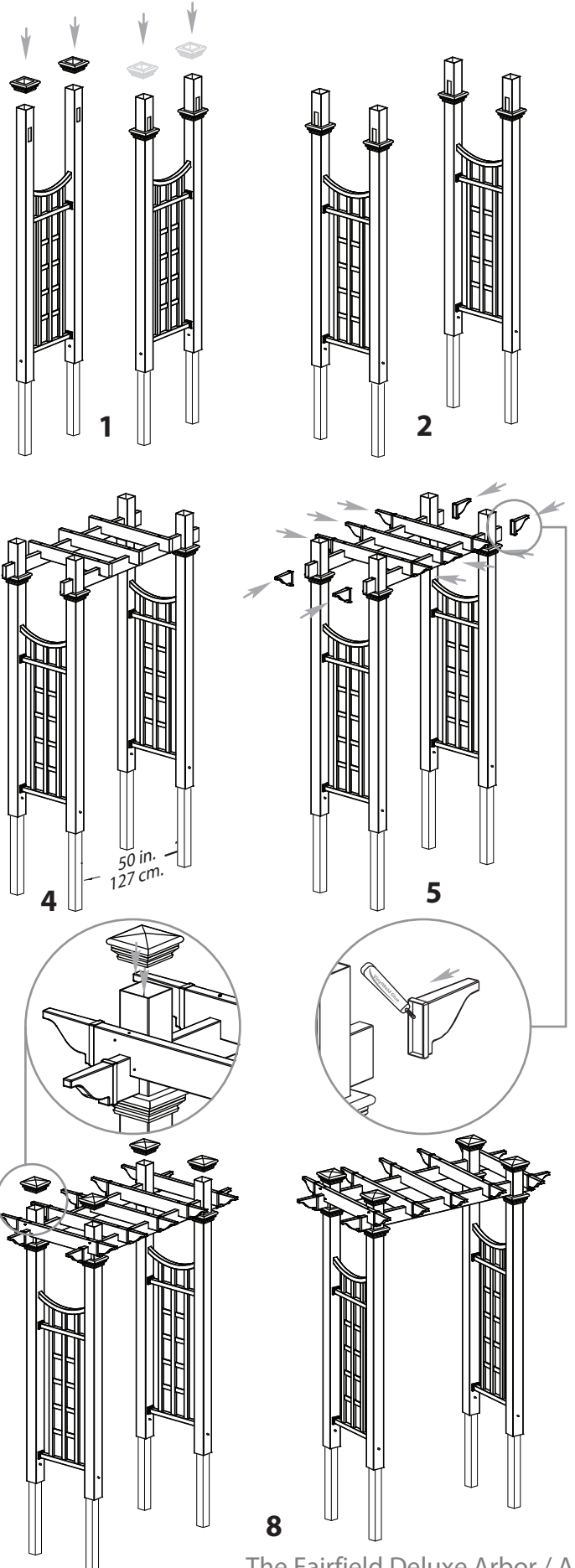


## STEP FOUR

vita

### Connect the Arbor / Arch Top to the Posts

- 1 Slide trim caps into place as illustrated.
- 2 Move side panels to their final location.
- 3 Insert the semi-assembled arbor / arch top into the holes at the top of posts as illustrated.
- 4 Adjust the opening width to 50 in. (127 cm).
- 5 Install pergola end caps using glue as illustrated.
- 6 Position the last two rafters as illustrated.
- 7 Fasten into place both horizontally (2 locations) and vertically (1 location) using 3" (76 mm) screws as illustrated. The screws provided are self tapping and do not require pre-drilled holes.
- 8 Place post caps on top of posts.



50 in.  
127 cm.

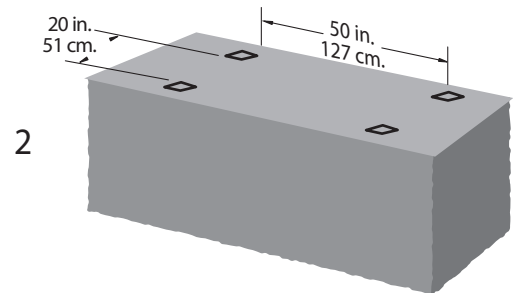
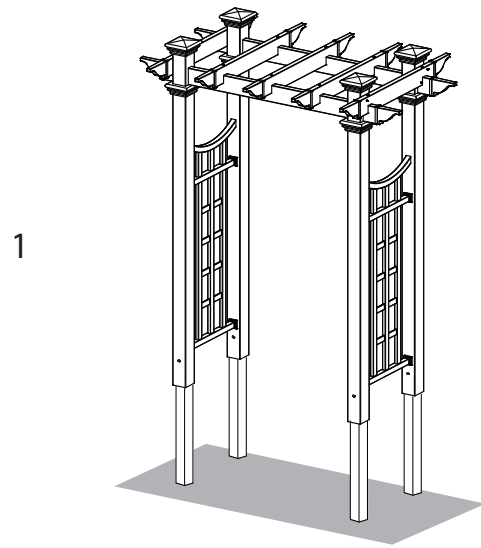
## STEP FIVE

### Secure the Arbor

#### Into Earth with Concrete Footing (Option One)

**Arch must be well secured to prevent tipping over from wind load, etc.**

- 1 Move the arbor to it's final location (you will need a helper).
- 2 When you have identified the location of each post, mark the positions on the ground and then move the arbor aside.
- 3 Excavate four holes approx. 36 in. (91.4 cm.) deep. The location and excavation of these four holes is **the most critical step** and should be completed with care.
- 4 Carefully move the arbor back into position and level both horizontally and vertically.
- 5 Check your measurements to confirm that arbor is secured and placed correctly.
- 6 Backfill the holes with cement.



(Measurements shown are approximate)

