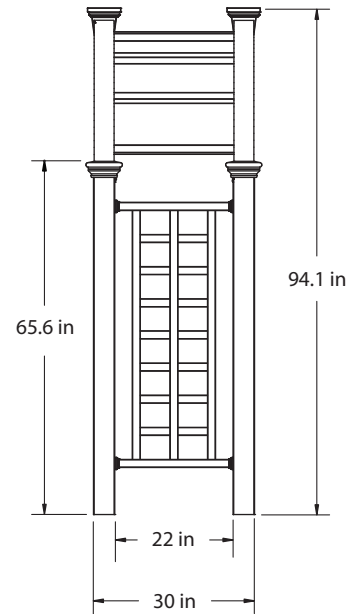
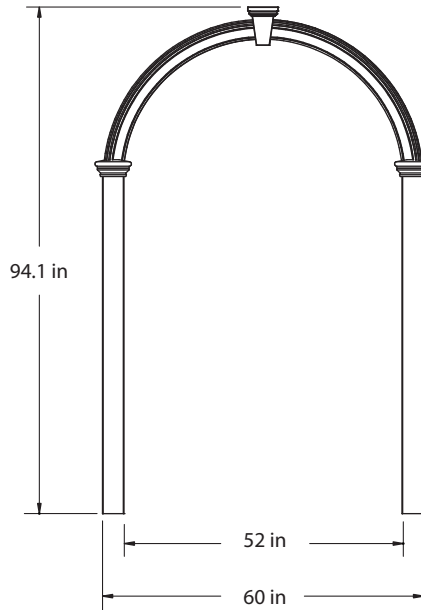
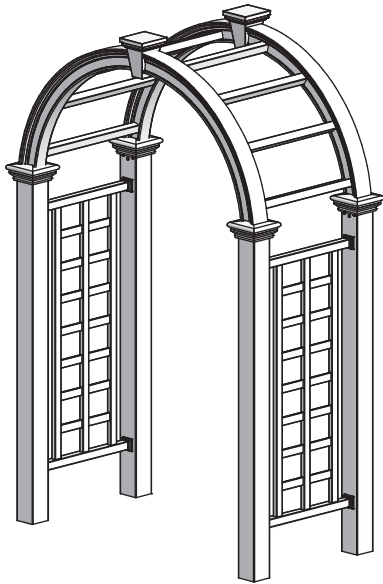


ASSEMBLY INSTRUCTIONS

VA84240 The Nantucket Deluxe Arbor



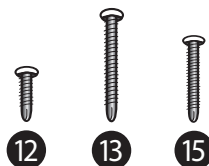
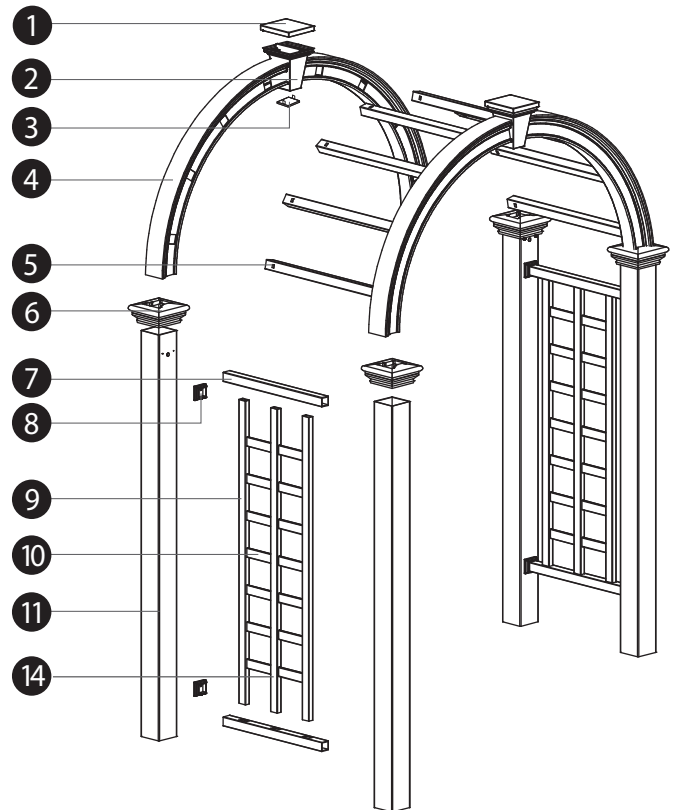
Please read through before starting assembly.

IMPORTANT: CHECK THE INSIDE OF YOUR POSTS FOR ALL MATERIALS.

Check Box for These Contents

In the event of missing or damaged parts please call our customer service dept. at 1 800 282 9346 (Mon. to Fri. 8:00 AM to 5:00 PM EST).

1. Keystone Top Lid with Inserts (2): *Lid - 10710-1, Insert- 10711-1*
2. Arch Keystones (2) - *10684-1*
3. Keystone Bottom Plate (2) - *10712-1*
4. Arches (4) - *10687-1*
5. Arch Rafters (8) 1 1/2" x 1 1/2" x 27.9" - *10727-1*
6. Post Caps (4) - *10728-1*
7. Side Panel Horizontal Rails (4) 1 1/2" x 1 1/2" x 21.75" - *10729-1*
8. Sur-Fit Bracket for Side Panel Horizontals (8) - *10730-1*
9. Side Panel Vertical Spindles (4) 7/8" x 1 1/2" x 49" - *11198*
10. Side Panel Horizontal Spindles (14) 1/4" x 1 1/2" x 15.25" - *10732-1*
11. Posts (4) 4" x 4" x 65.5" - *10733-1*
12. #8 x 1 1/2 in. (3.8 cm.) Stainless Steel Screws (for Sur-Fit Brackets) (24)- *20005*
13. #8 x 3 in. (7.5 cm.) Stainless Steel Screws (for Keystone and Arch to Post Connection) (24) - *20007*
14. Side Panel Vertical Center Spindle (2) 7/8 x 1 1/2" x 49" - *10731-1*
15. #8 x 2 1/2 in. (6.3 cm.) Stainless Steel Screws (for wood post to post connection) (8) - *20009-1*



(Not to scale)

General Information

- Read Instructions through carefully before beginning assembly.
- When assembling components, place on a non-abrasive surface (i.e. shipping box) to avoid scratching.
- We recommend an area approx 10'x 8' for unobstructed assembling.
- You should not need to use excessive force when assembling components.

Tools You Will Need

- Hammer
- Tape Measure
- Level
- Stool or Short Ladder
- Shovel or Auger
- Cordless Drill

Additional Materials Required

- 4 x 4 x 8' (244 cm) Long Wood Posts (4) (Only for Option 1)
- Concrete Ready Mix
* Purchase separately from your local lumber store

Installation Options - Choose one

(*purchasedseparately)

OPTION ONE - If Your Arbor:

- is going to be installed with fencing or a gate
- is located in a high wind or hurricane area
- is located in ground conditions that are not level

Consider Using:

***4" x 4" x 8' Long Wood Post (4)**

15 2 1/2" Stainless Steel Screws (8)

- Recommended to be installed in concrete footing

OPTION TWO - If Your Arbor:

- is intended to be used as a stand alone garden or pathway accent
- is located on level ground

Consider Using:

***4" EZ Mount Post (Package of 4)**

- Purchase from Vita, www.wearevita.com
- Instructions are included with the kit

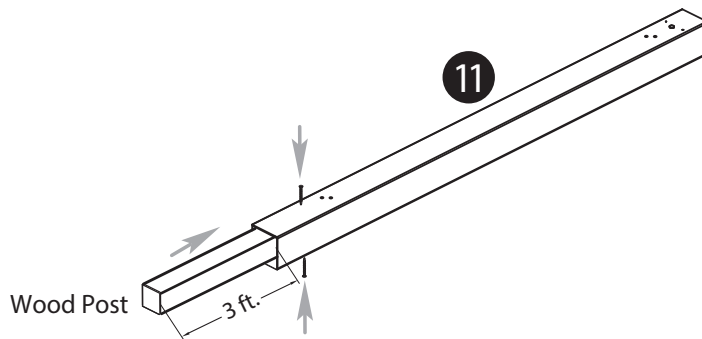
Important Note for Installation Option 1:

If you are planning on installing your arbor into the ground using pressure treated wood posts, we recommend installing the wood into the posts prior to securing the Sur-Fit brackets.

Insert the wood post into the bottom of the post until it is approximately 5 ft (152.4 cm) into the vinyl cavity with approximately 3 ft (91.45 cm) remaining at the bottom to insert into the ground. Repeat the same procedure for the remaining 3 posts.

Using two of the 2 1/2" screws provided per post, secure the bottom of the vinyl to the wood approximately approximately 9" up from the bottom of the vinyl sleeve leaving enough room for the installation of the Sur-Fit bracket in Step 3

If you are using Option 2 method, you can disregard this note..



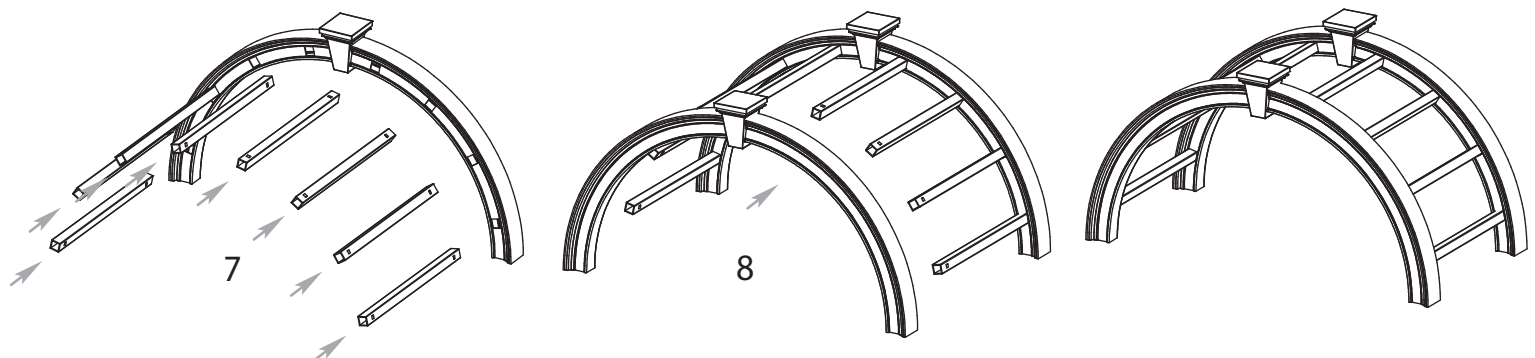
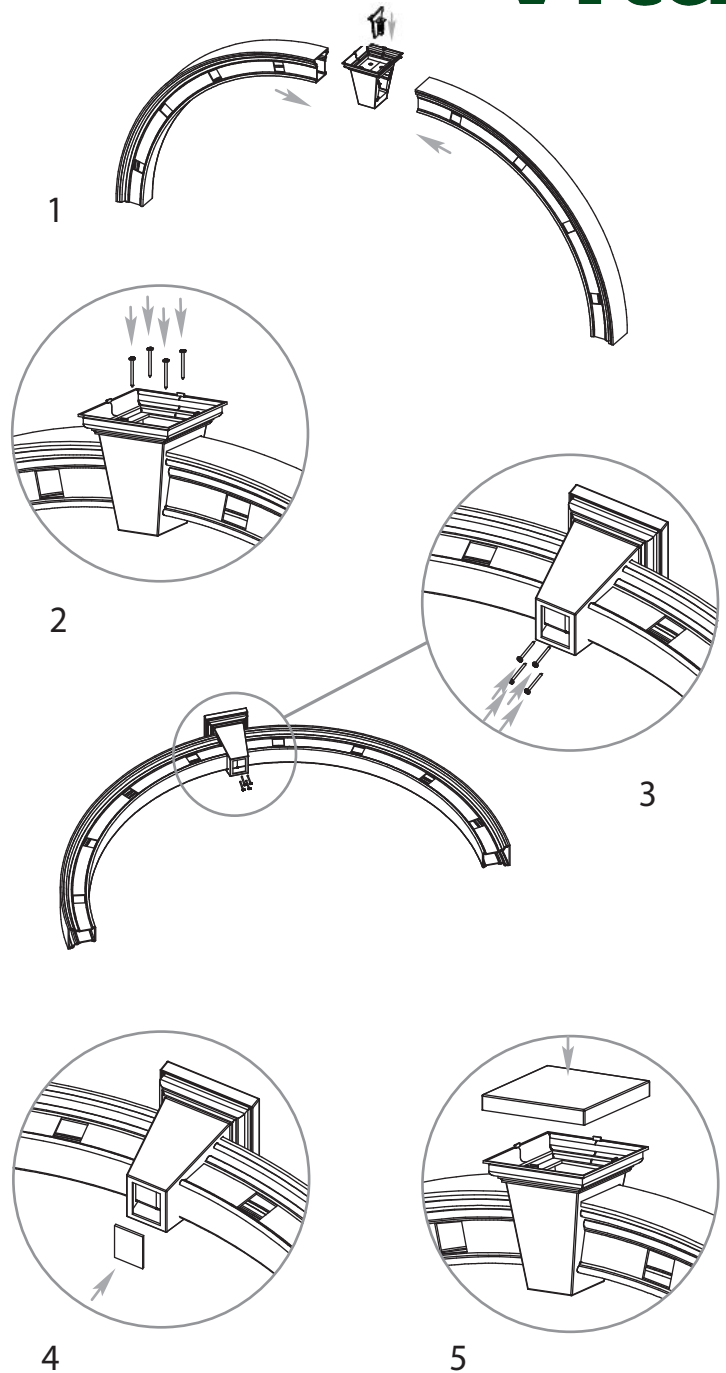
STEP ONE



Assemble the Arch System

NOTE: There are locking tabs located at the ends of each rafter. Once inserted and pushed into the routed holes, they will lock into place and cannot be removed.

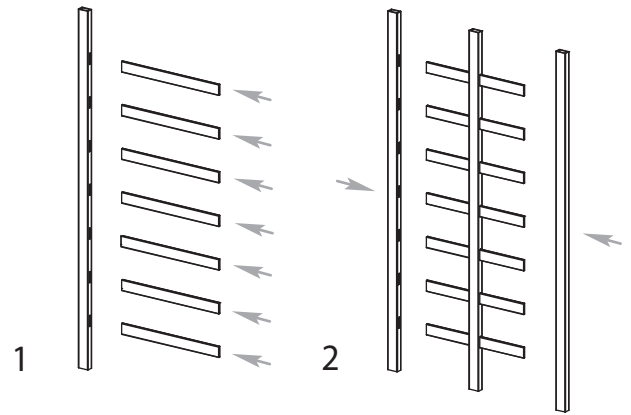
- 1** Insert arches into arch keystone ensuring they terminate flush to the internal connector.
- 2** Fasten the top of the arches to the keystone insert by installing 2 1/2 in. (6.4 cm.) screws into the two flanges on either side of the top of the insert.
- 3** Invert the arch system and install four screws 2 1/2 in. (6.4 cm.) from the bottom of the keystone into the two flanges on either side of the bottom of the insert. This will connect the bottom of the arches to the insert.
- 4** Seal the bottom hole on keystone by inserting the bottom plate as provided.
- 5** Install the top cap on the arch keystone. Ensure keystone cap is pushed down firmly so the cap locks into position.
- 6** Repeat for other arch.
- 7** Insert arch rafters (8) into the holes on the arches until they bottom out inside the arches. There are "locking tabs" located at each end of these rafters that once inserted into the holes will lock into place.
- 8** Fit opposite arch system over rafters.



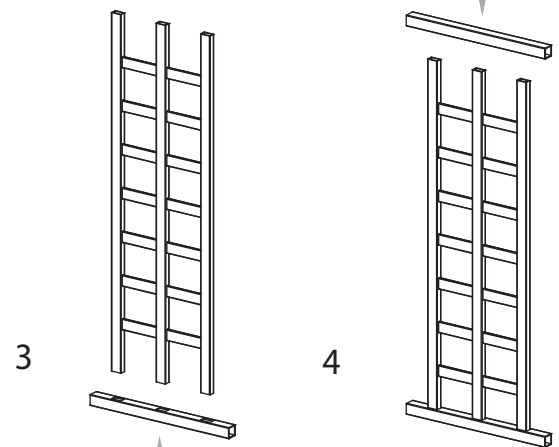
STEP TWO

Assemble the Side Panels

- 1 Insert the horizontal spindles into the middle vertical spindle (holes on both sides).
- 2 Slide the two outer vertical spindles into position as illustrated.
- 3 Layout the bottom horizontal rail and insert the vertical spindles.
- 4 Slide top horizontal rail into position.
- 5 Repeat for other panel.



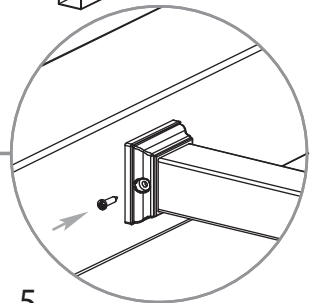
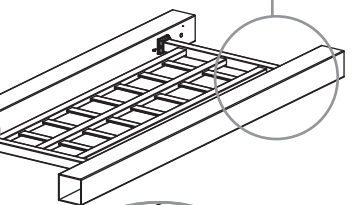
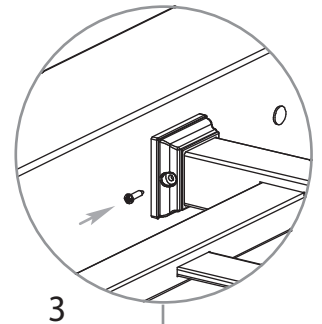
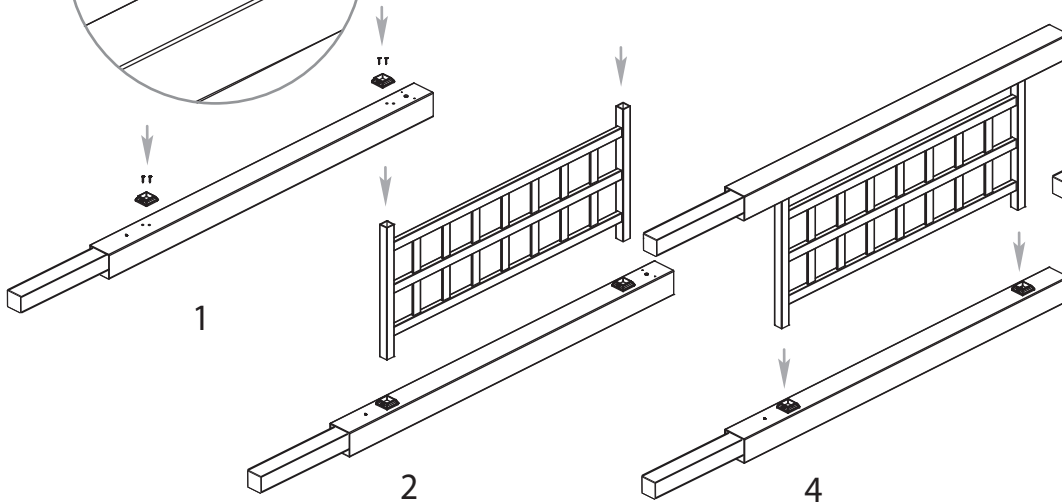
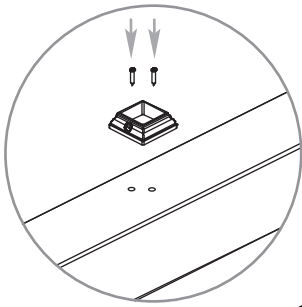
11



STEP THREE

Attach Sur-Fit Brackets

- 1 Attach Sur-Fit Brackets (using small screws) onto posts using the pre-drilled holes as guides. Single hole on the side of brackets to face down.
- 2 Set out one post and insert the assembled side panel.
- 3 Fasten horizontal rails into Sur-Fit Brackets using small screws.
- 4 Layout the opposite post and insert the finished side panel with post connected.
- 5 Fasten horizontal rails into Sur-Fit Brackets using small screws.
- 6 Repeat for other side panel.



STEP FOUR

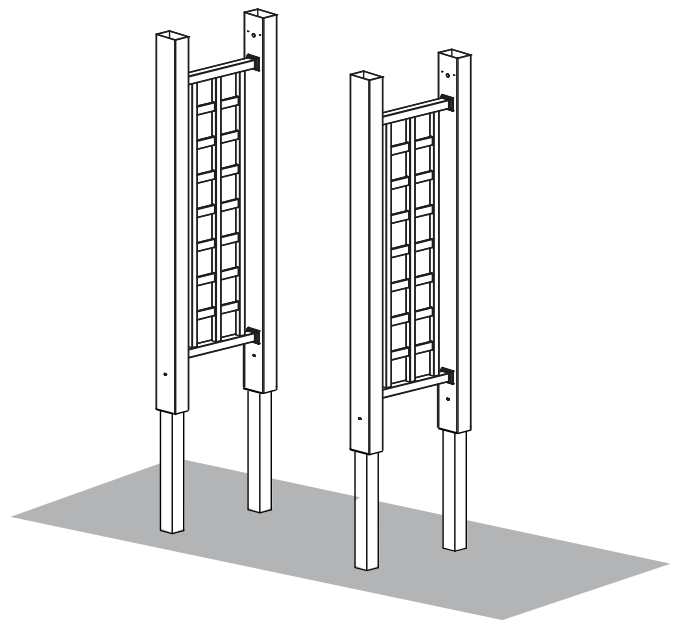
Install the Side Panels

Into Earth with Concrete Footing (Option One)

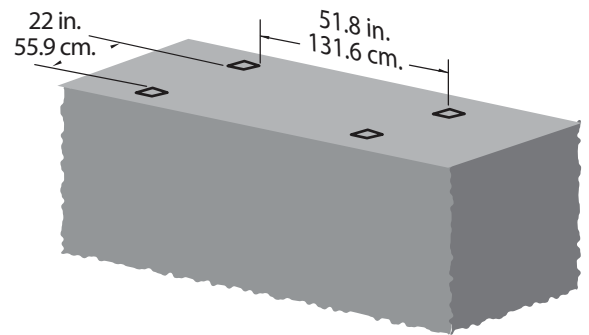
Arbors must be well secured to prevent tipping over from wind load, etc.

- 1** Move the side panels to their final location (you will need a helper).
- 2** When you have identified the location of each post, as indicated by the measurements on the first page of these instructions, mark the positions of the posts, then move the panels aside.
- 3** Excavate four holes approx 36 in. (91.4 cm.) deep. The location and excavation of these four holes is the most critical step and should be completed with care. T
- 4** Carefully move the side panels back into position and level both horizontal and vertically.
- 5** Check your measurements to confirm posts are placed correctly to receive arch system. **THIS IS A CRITICAL STEP.**

* Do not backfill the holes with cement at this stage

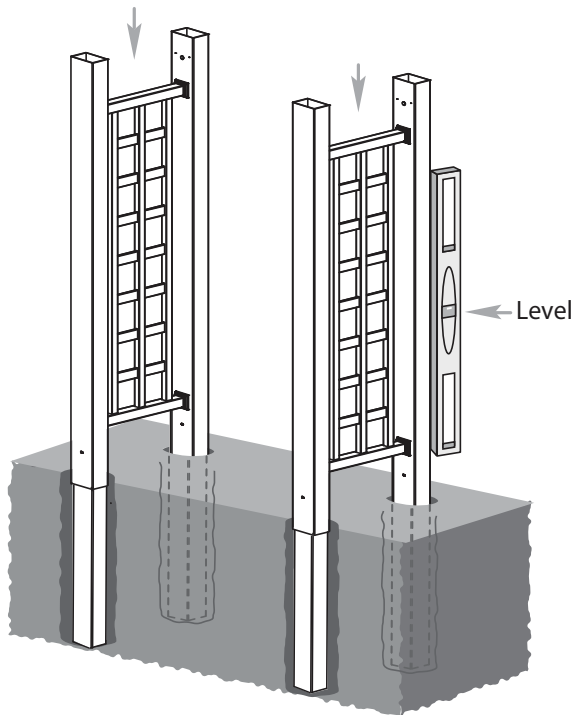


1

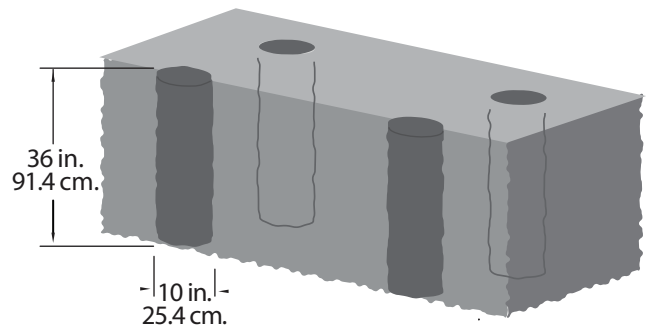


(Measurements are approximate)

2



4



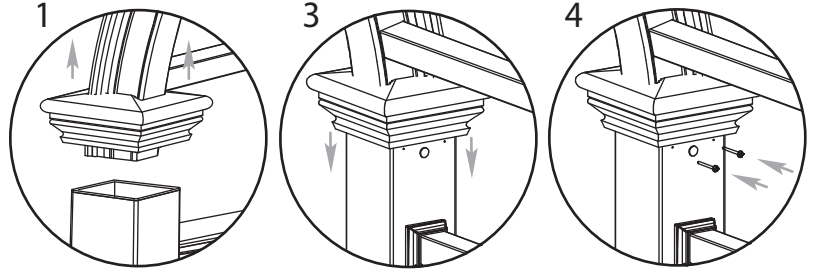
3

STEP FIVE

vita

Connect the Arch System to the Side Panels

- 1 Temporarily position post caps on bottoms of arches.
- 2 With a helper, insert the bottom of the arches into the posts until the arch rests on the stopper bolts.
- 3 Slide post caps down into position.
- 4 Install long screws into the two pre-drilled holes per posts.



STEP SIX

Fill Excavated Holes

- 1 Ensure that posts and side panels are level.
- 2 Fill around the posts with wet cement within 3 in. (7.6 cm.) of ground level.
- 3 Complete a final level check both horizontally and vertically, and backfill the remaining space between concrete and ground level with topsoil.

