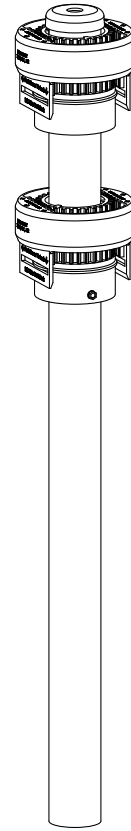
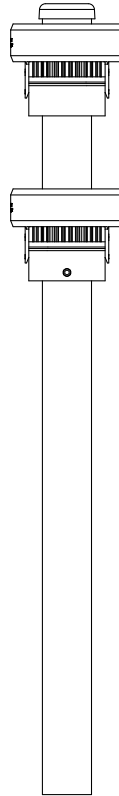
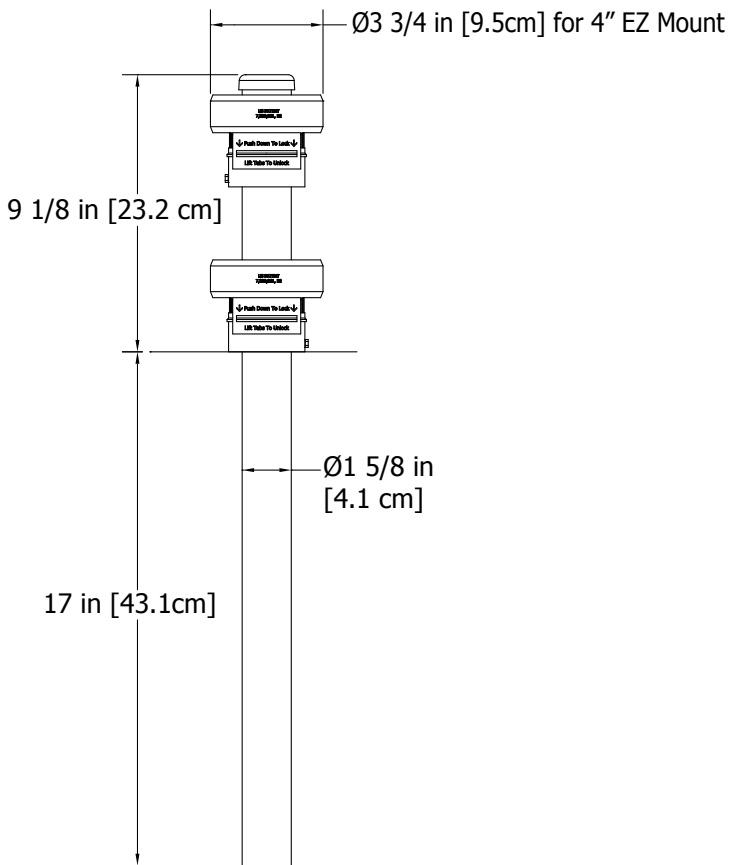


ASSEMBLY INSTRUCTIONS

4x4 Arbor Post Mount Kit



Please read through before starting installation.

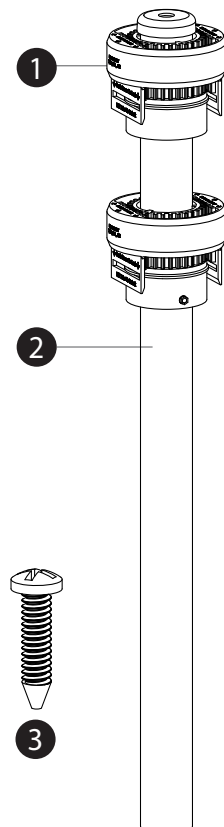
Check Box for These Contents

In the event of missing or defective parts please call our customer service department at 1 800 282 9346 (Mon. to Fri. 8:00 AM to 5:00 PM EST).

1. Removable Donut (2) 4in Part Number 11145 / 5in Part Number 11148
2. Pipe Anchor Assembly (1) Ø1 5/8" x 26 1/8" - 11147
3. 5/8" (16mm) Self-Augering Stainless Steel Screw (4) 20016

Tools You Will Need

- Sledge Hammer (5 or 10 lbs)
- Cordless Drill with Phillips Bit
- Spirit Level
- Adjustable Wrench
- Tape Measure



STEP ONE

1

Using the instructions provided with your arbor, locate the center of the four post and mark accordingly.

2

Remove the top outer donut to prevent damage while driving the pipe into the ground. To remove, expand the two tabs at the bottom of the donut and pull upwards.

3

Position the pipe anchor at the desired location and using a sledge hammer, drive the anchor post into the ground 17 in [43.1cm].

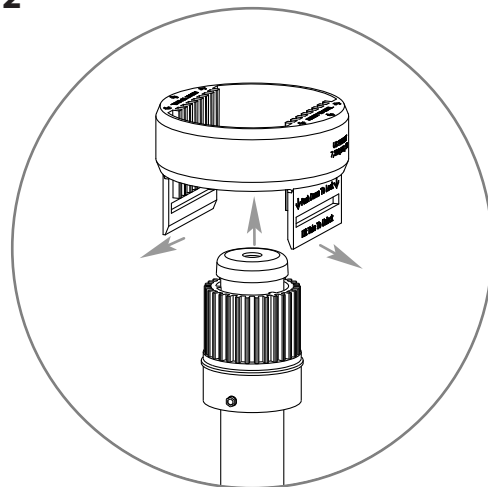
Try to drive the pipe as level as possible. Using a spirit level, check level every 6 in [15.2cm]. After about 12 in [30.5cm] deep the trajectory of the pipe is typically established and you cannot manually pull the pipe back into level.

4

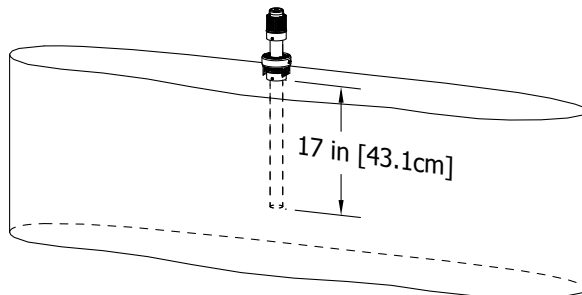
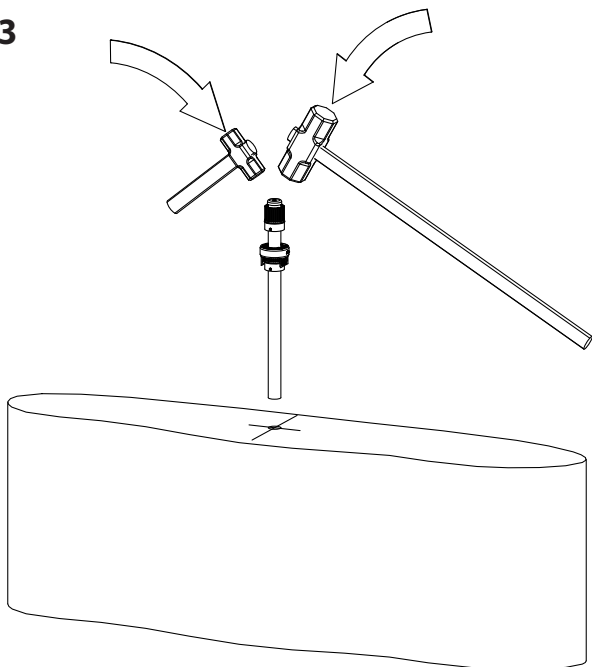
Reinstall the top out donut and adjust the bottom and top donuts to compensate for crooked pipe.

Repeat for all 4 posts.

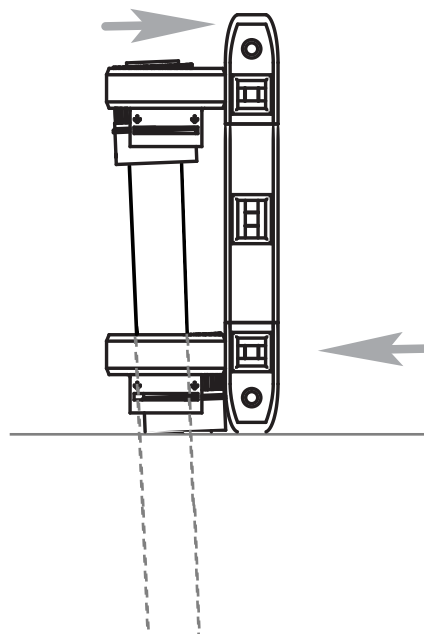
2



3



4



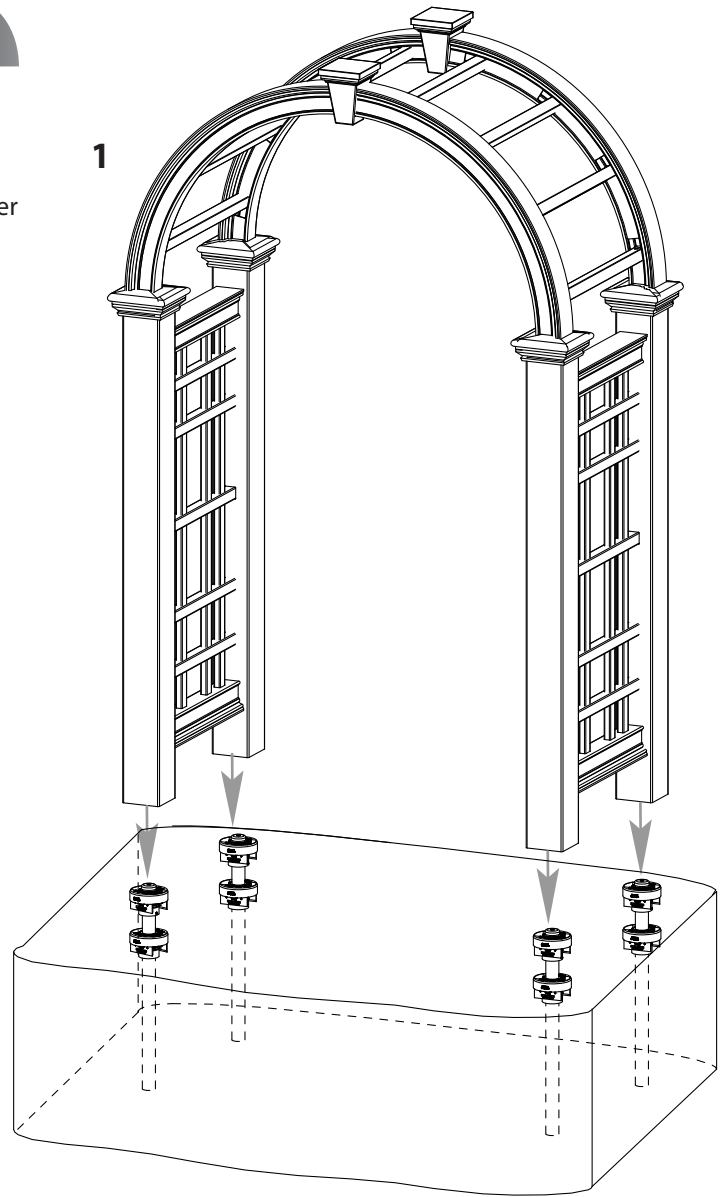
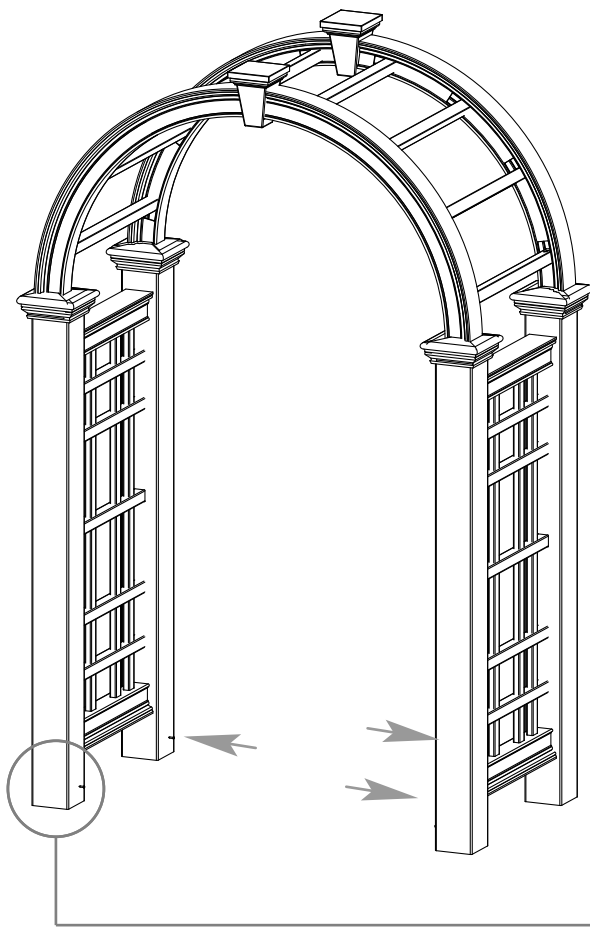
STEP TWO

1

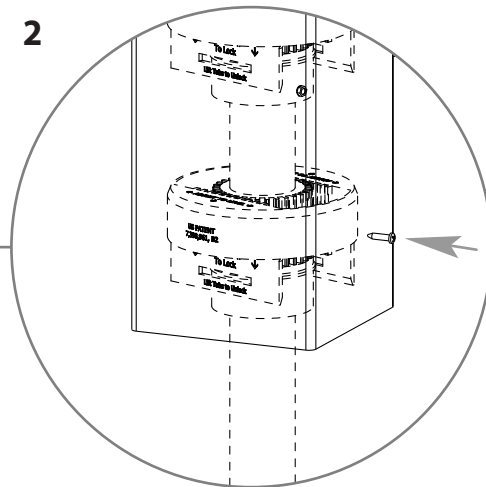
Slide the side panel over two of the pipe anchors as shown. (Or in some cases, with a helper, slide the entire arbor assembly over the 4 pipe anchors).

2

Fasten each of the post using the 5/8" (16mm) screws provided. The screw should bite into the bottom donut as shown.



2



vita