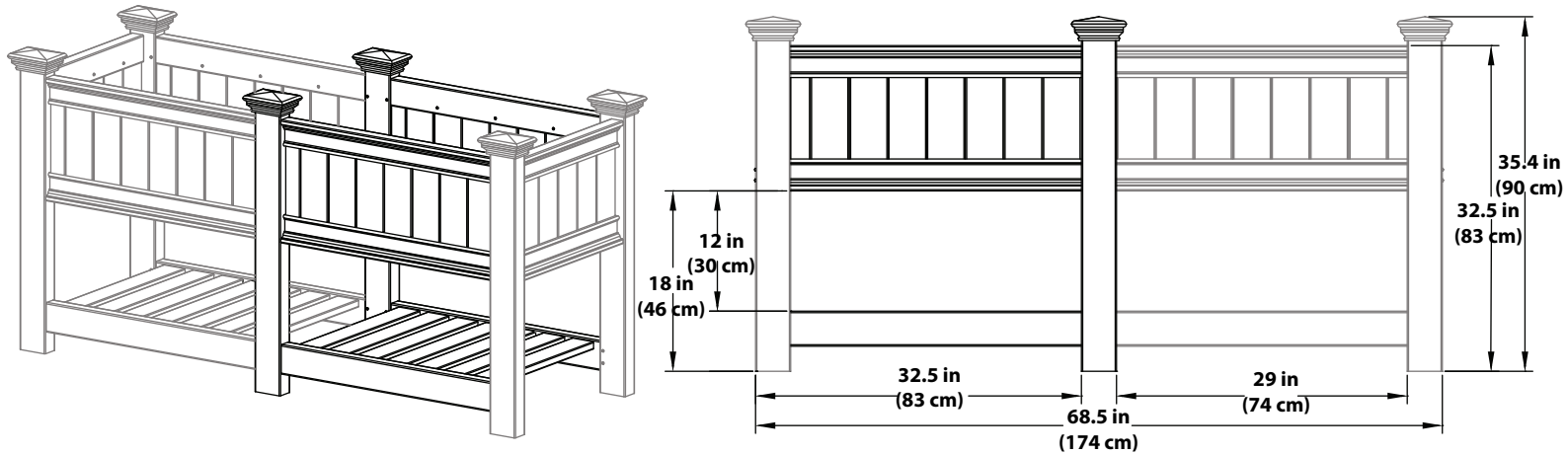


The Cambridge Raised Planter Extension Kit

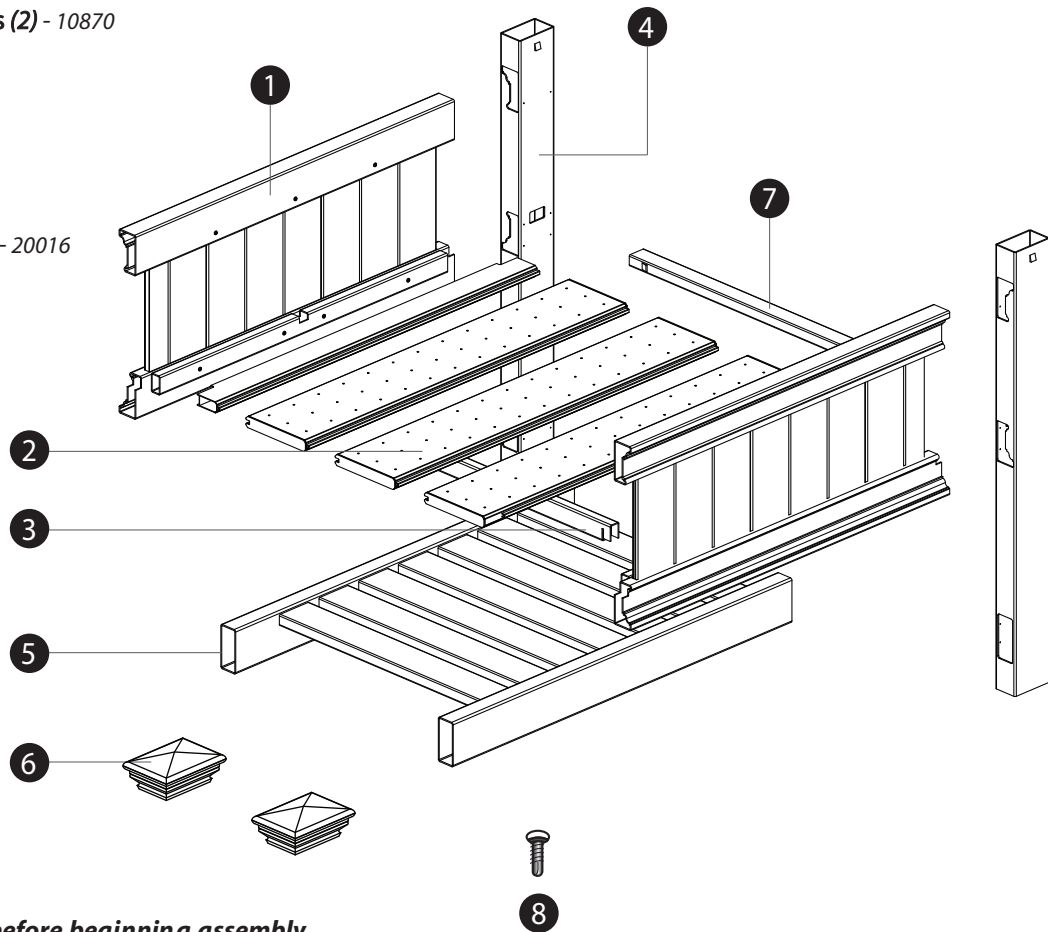


Please read through before starting assembly.

Check Box for These Contents

In the event of missing or defective parts please call our customer service dept. at **1 800 282 9346** (Mon. to Fri. 8:00 AM to 5:00 PM EST).

1. Pre-Assembled Front & Back Wall Panels (2) - 10870
2. Floor Panels (4) - 10871
3. Floor Support (1) - 10872
4. Center Extension Posts (2) - 10875
5. Pre-assembled Shelf (1) - 10997
6. Post Caps (2) - 10611
7. Centre Support Rail (1) - 10877
8. 5/8" (16 mm) Stainless Steel Screws (20) - 20016



General Information

- Read Instructions through carefully before beginning assembly.
- When assembling components, place on a non-abrasive surface (i.e. shipping box) to avoid scratching.
- We recommend an area approx 4' x 8' (1.2 m x 2.4 m) for unobstructed assembling.
- You should not need to use excessive force when assembling components.

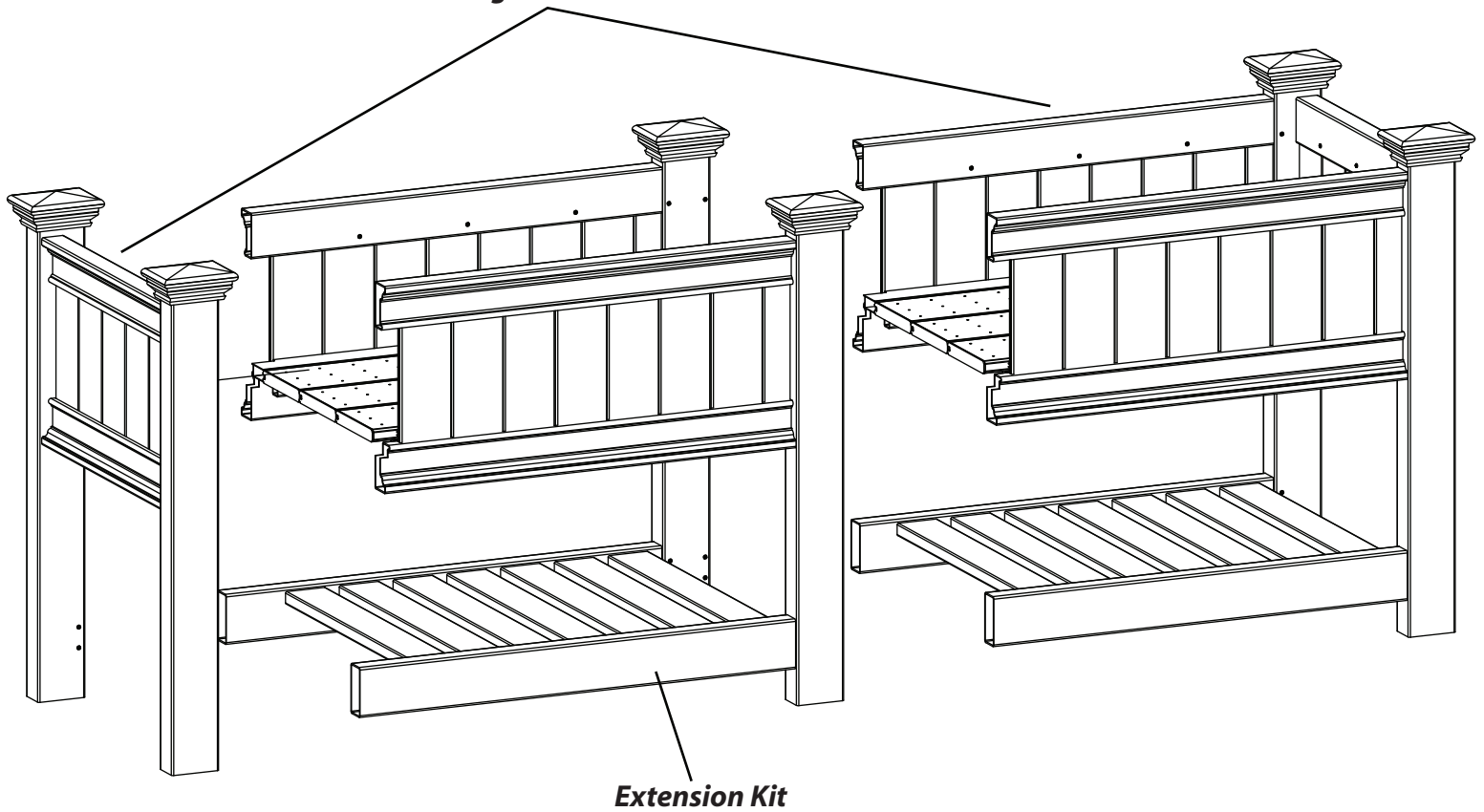


Overview

This instruction is intended to assist with retrofitting an extension kit to your existing raised planter box. Some disassembly of the raised planter box will be necessary.

Please look over both sets of instructions for total scope.

Cambridge Raised Planter Box



STEP ONE

Disassemble the Cambridge Raised Planter Box

1

Remove the four floor boards.

2

Place the planter box on its side as shown. Note the shelf rails inside the posts. The Extension Kit will go on the side which shelf rails are only inserted half way through the posts.

3

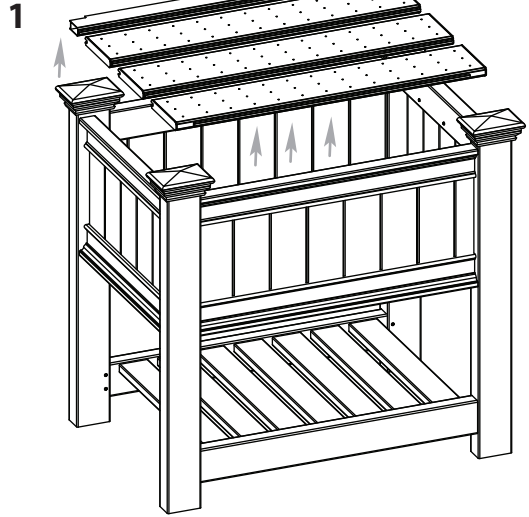
Remove three screws (2 - 5/8" (16 mm) and 1 - 1 1/2" (38 mm)) from each of the two posts or a total of six screws as shown. Set aside as these screws will be re-used later.

4

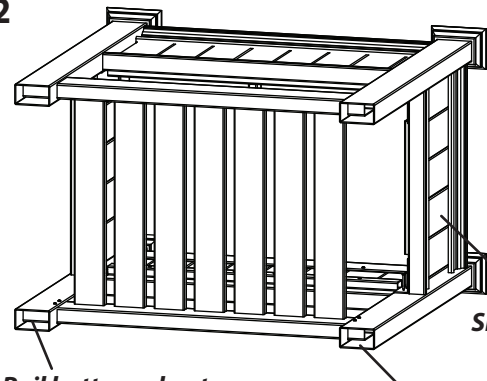
Remove two more 5/8" (16 mm) screws from each of the two posts joining the shelf rails as shown. Set these screws aside as well.

5

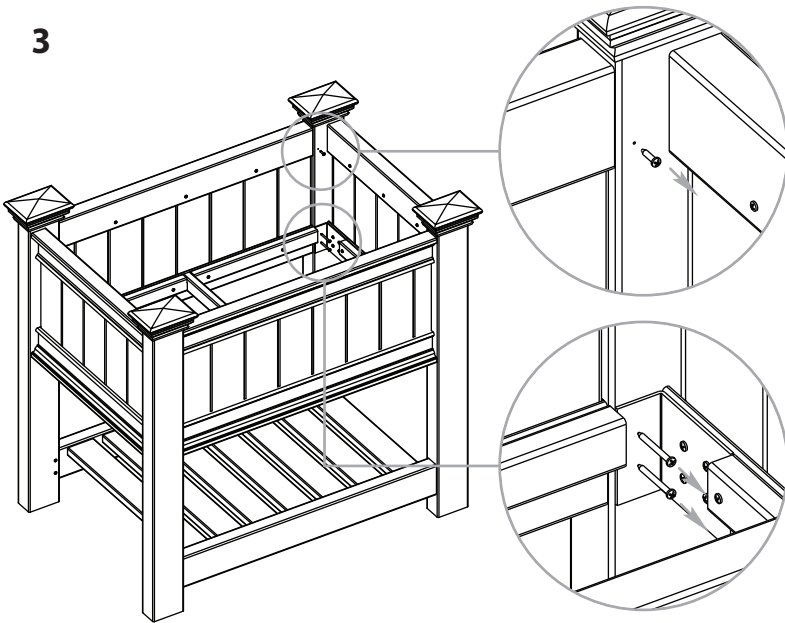
Remove the panel completely as shown and set aside.



2



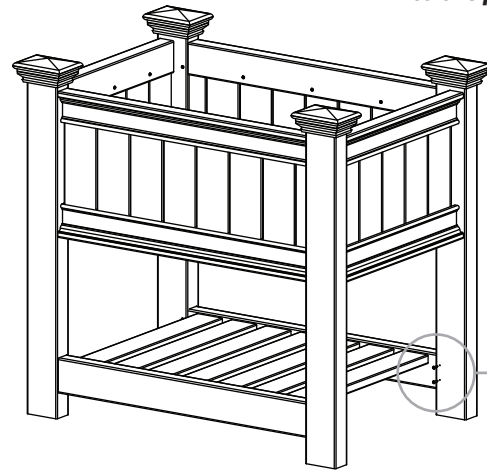
3



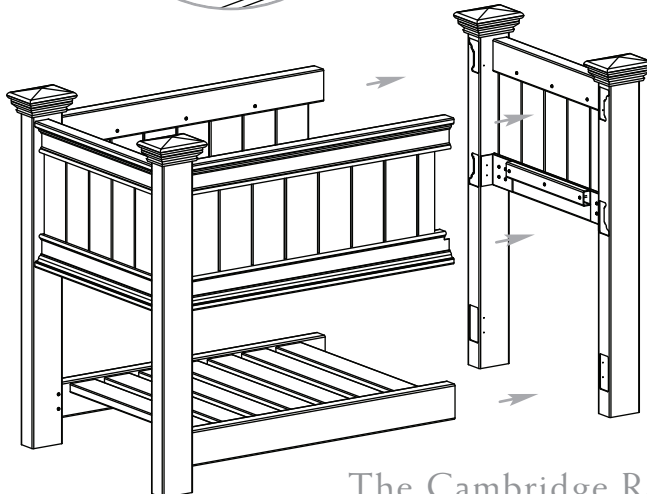
Shelf Rail bottomed out

Shelf Rail half way into the post

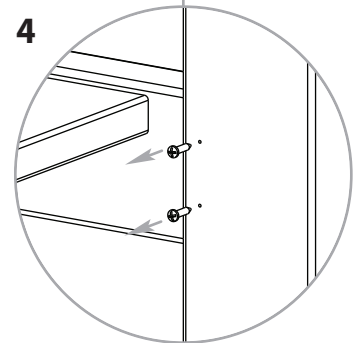
Side to be removed



5



4



STEP TWO

Assemble the Extension Kit

1

Lay the side panel extracted from Step One from the previous page on the floor as shown and insert the pre-assembled shelf into the routed hole. Repeat for the Front and Back Wall Panels as shown.

2

Insert the centre support rail into the routed hole on the centre posts. Push until the tabs lock into place. Note orientation of posts.

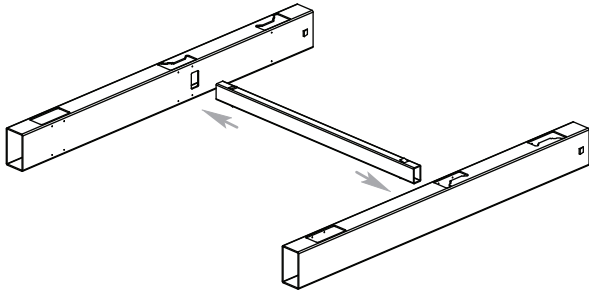
3

Align and insert the two centre posts as shown.

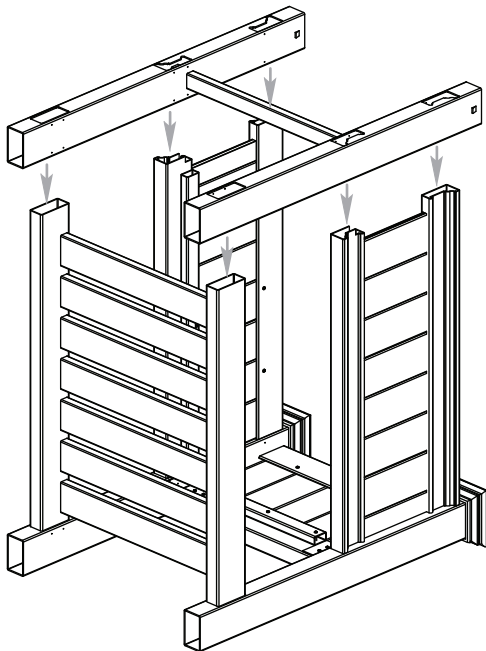
4

insert the Floor Support Rail into the front and rear walls as shown. **Note** the notch at the ends of the floor support rail.

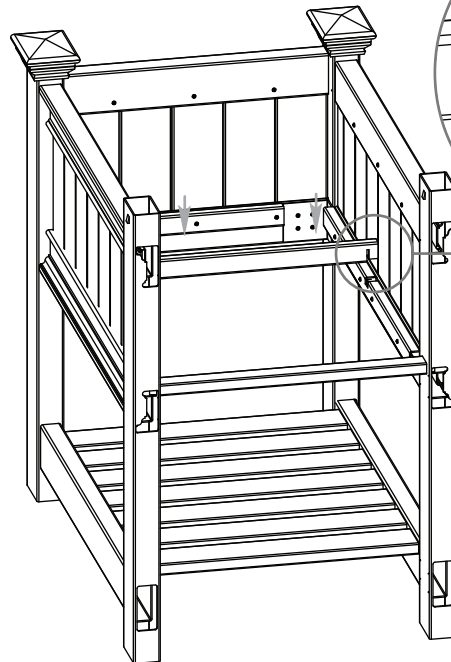
2



3

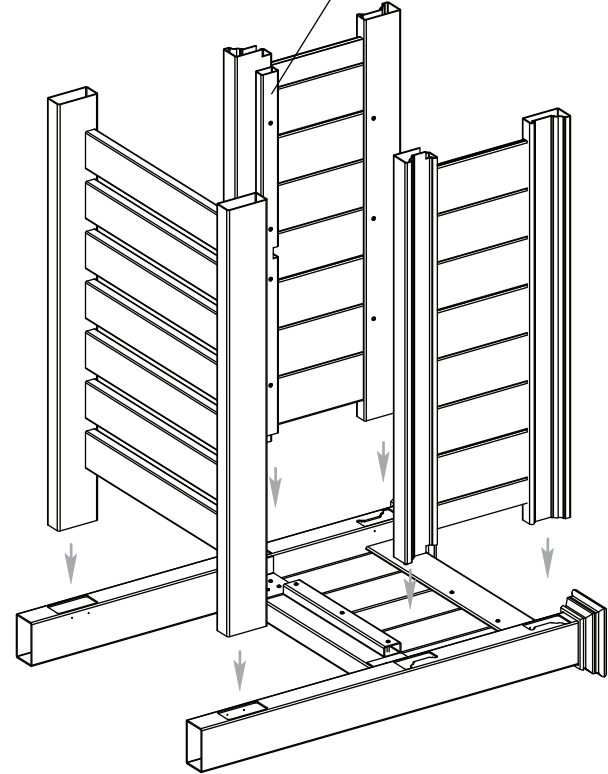


4



Note: Floor Supports location

1



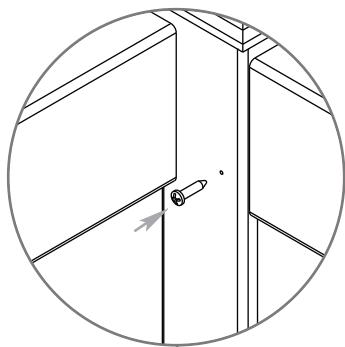
STEP TWO (CONT'D)

5

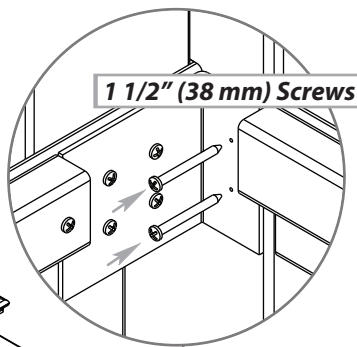
Fasten the wall panel into place using the screws set aside from Step One as shown.

6

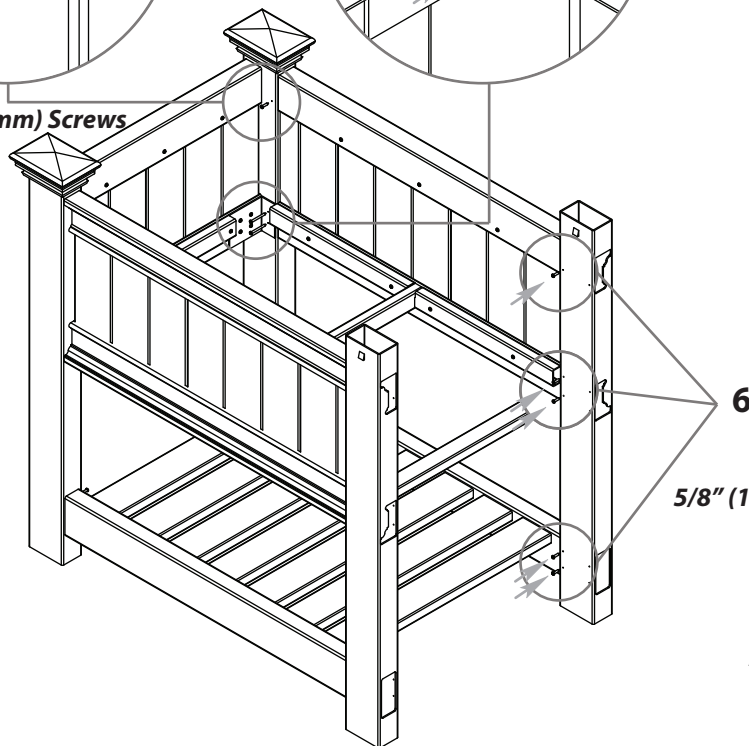
Fasten the Center Posts into place using the provided 5/8" (16 mm) screws (five per post).



5/8" (16 mm) Screws



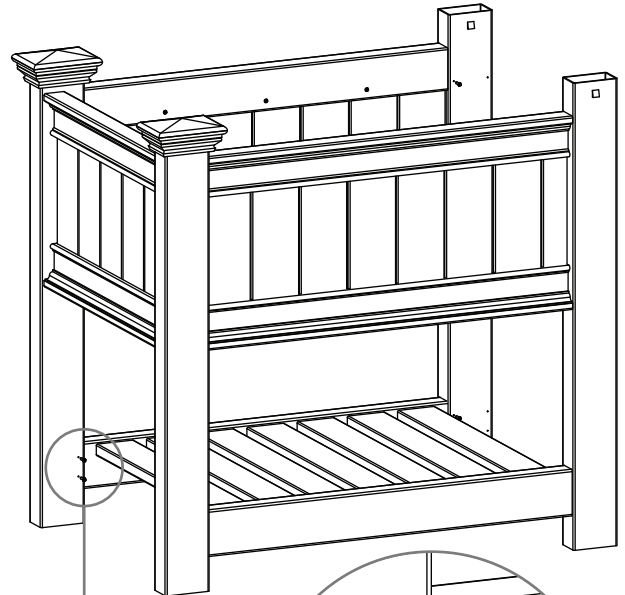
1 1/2" (38 mm) Screws



7

Center & fasten the Shelf Rails onto the Wall Panel using the screws set aside from Step One as shown.

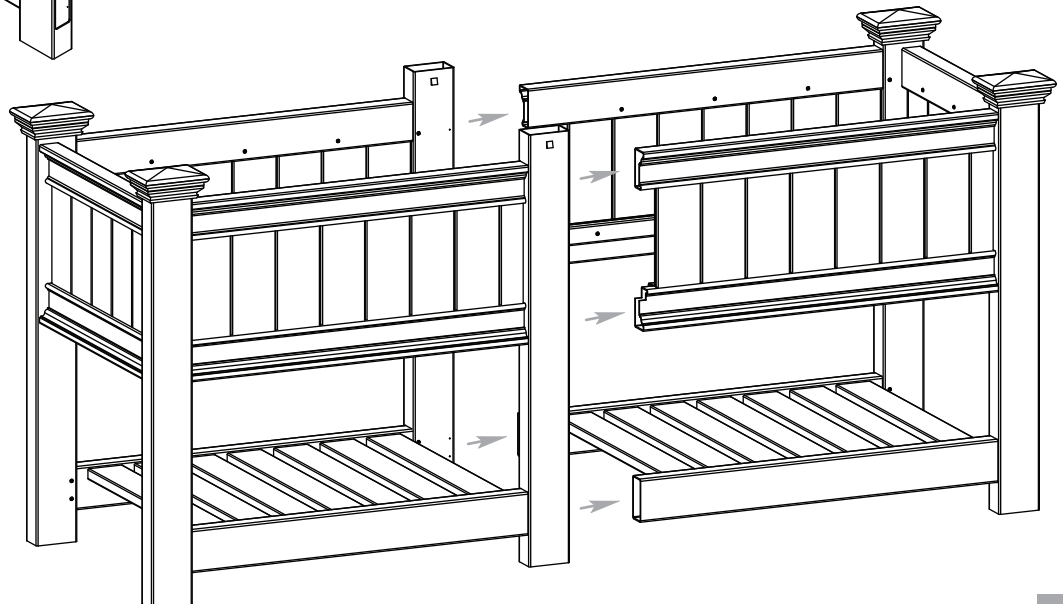
7



5/8" (16 mm) Screws

8

Assemble the extension kit as shown below.

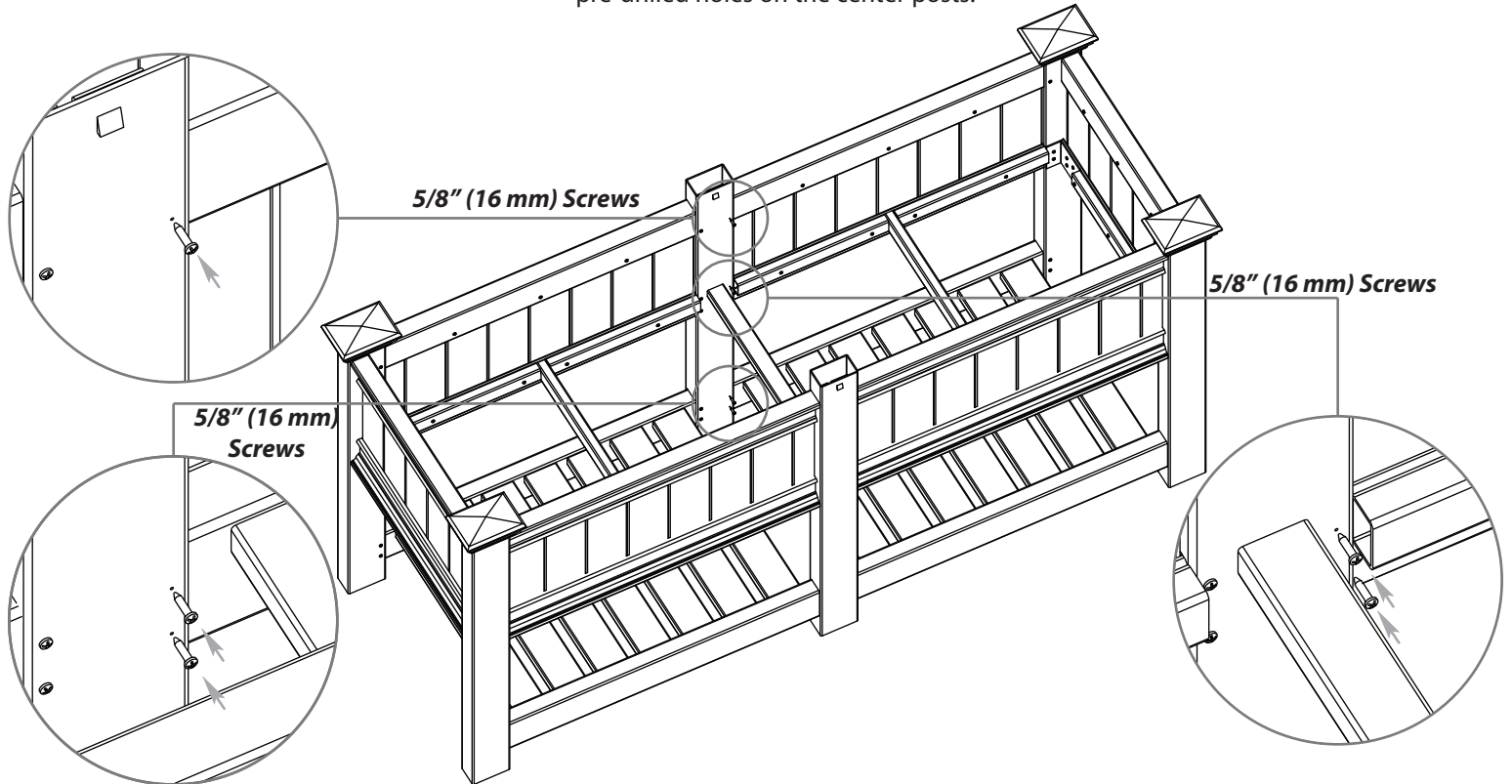


STEP THREE

Attach the Extension Kit

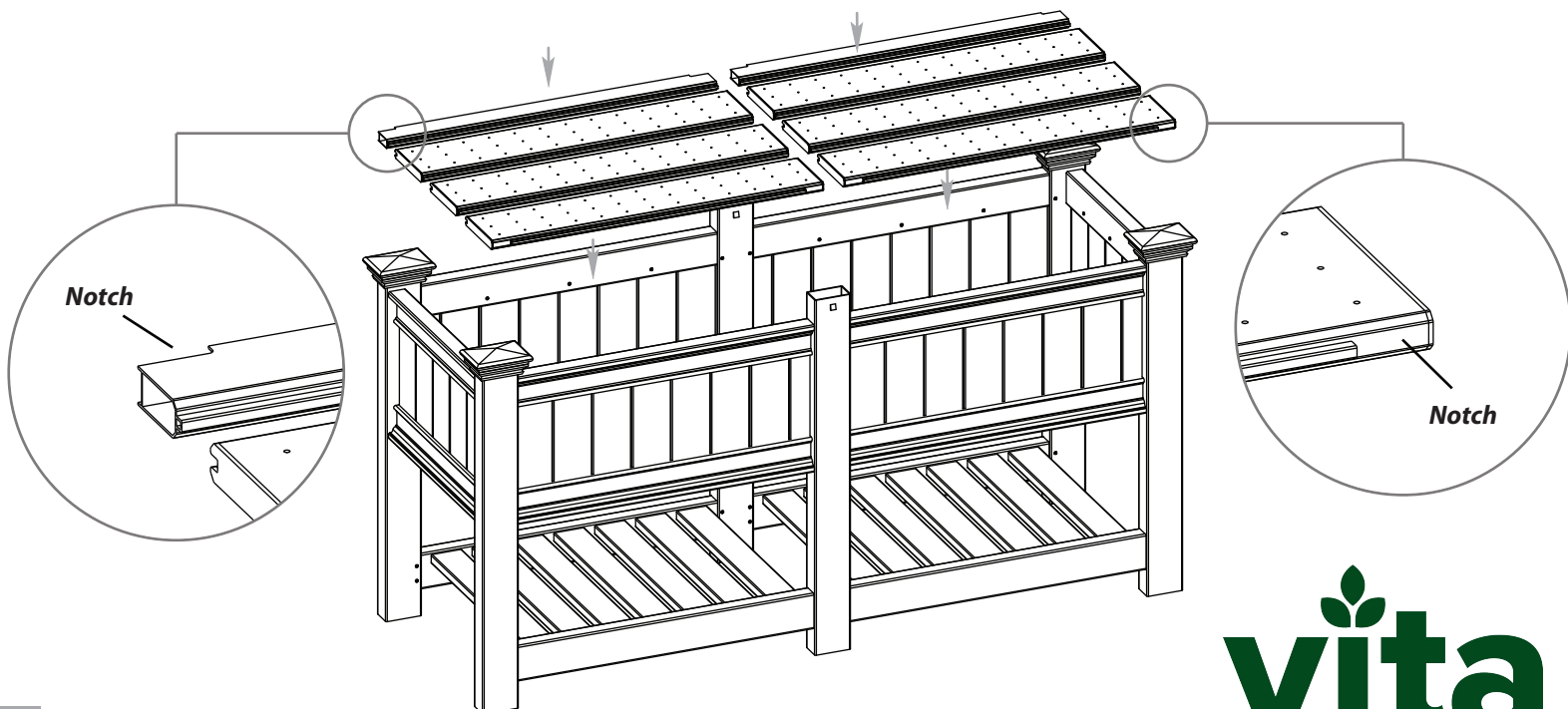
1

Fasten the extension kit onto the center posts using the 5/8" (16 mm) screws provided (10 total) into the pre-drilled holes on the center posts.



2

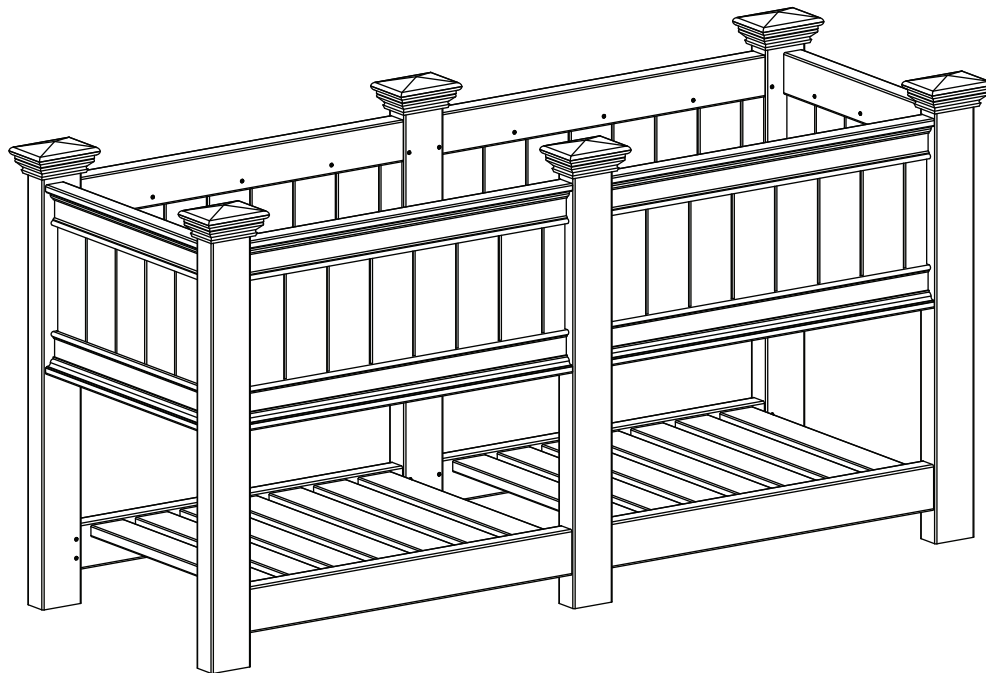
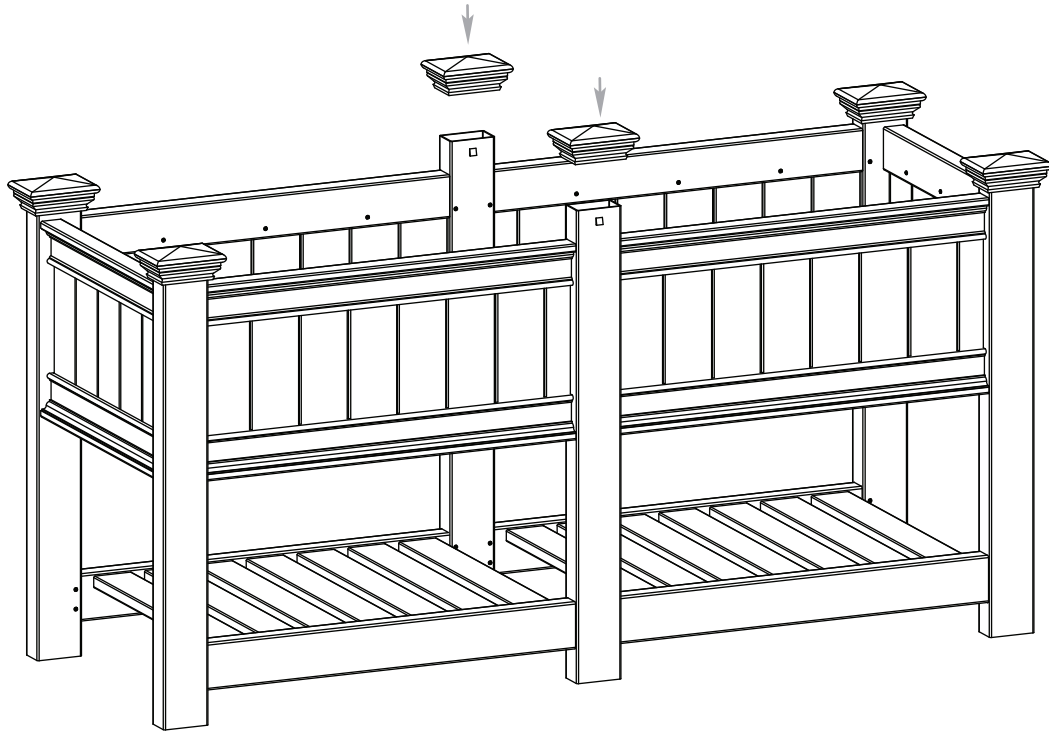
Place the eight floor panels onto the floor supports as shown. Note the notches on the one side of the end panels.



STEP THREE (CONT'D)

3

Pressure fit the Post Caps into place. Push firmly until they snap into place.



vita