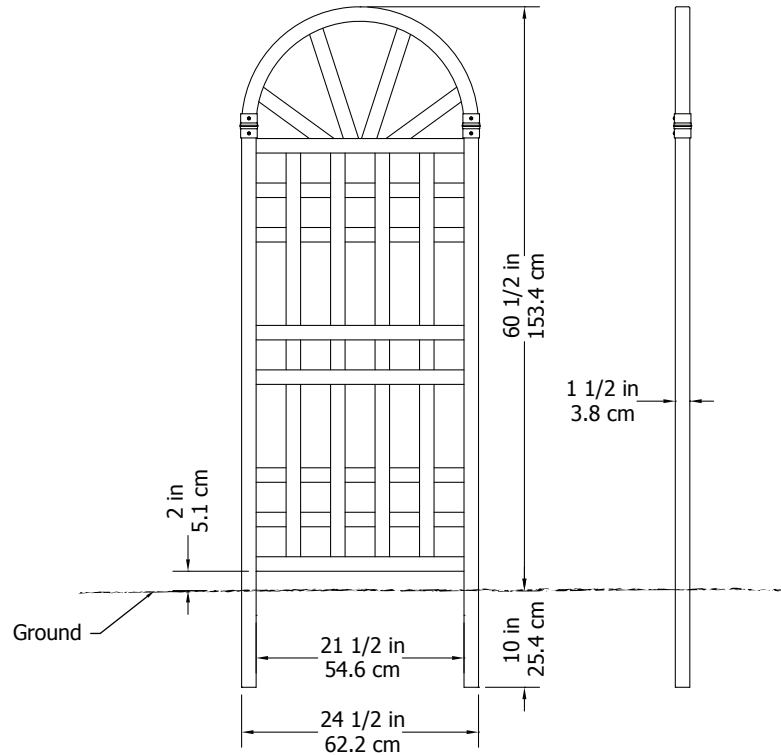
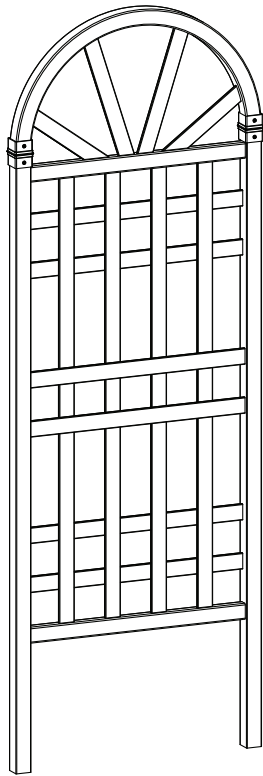


Hamilton Trellis



Please read through before starting assembly.

IMPORTANT: CHECK THE INSIDE OF YOUR POSTS FOR ALL MATERIALS.

Check Box for These Contents

In the event of missing or defective parts please call our customer service department at **1 800 282 9346** (Mon. to Fri. 8:00 AM to 5:00 PM EST).

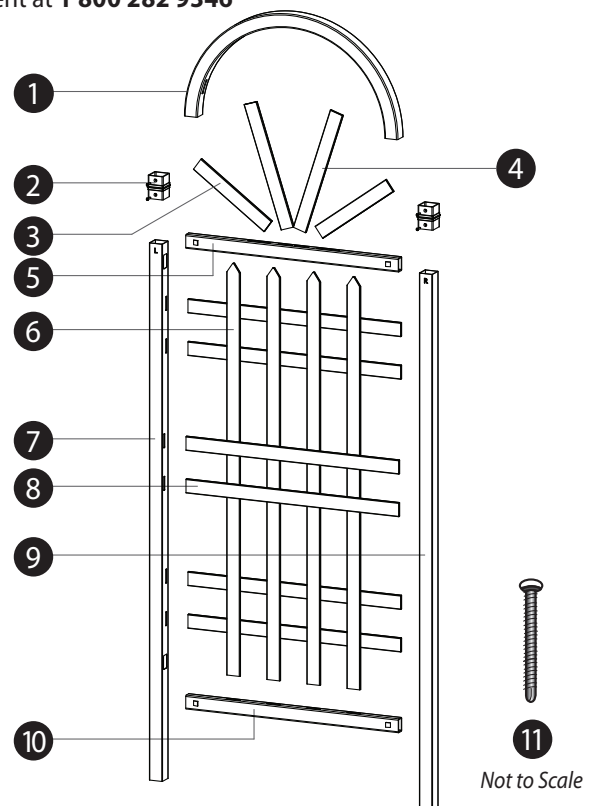
1. Top Arch (1) - 11113
2. Post Caps (2) - 10600
3. Arch Spokes - Short (2) 1/4" x 1 1/2" x 10" - (0.6 cm x 3.8 cm x 25.4 cm) - 11114
4. Arch Spokes - Long (2) 1/4" x 1 1/2" x 13 3/4" - (0.6 cm x 3.8 cm x 35 cm) - 11115
5. Top Rail (1) 7/8" x 1 1/2" x 24 3/8" - (2.2 cm x 3.8 cm x 61.9 cm) - 11116
6. Vertical Spindles (4) 1/4" x 1 1/2" x 44 1/2" - (0.6 cm x 3.8 cm x 113 cm) - 11117
7. Left Post (1) 1 1/2" x 1 1/2" x 58" - (3.8 cm x 3.8 cm x 147.3 cm) - 11118
8. Horizontal Slats (6) 1/4" x 1 1/2" x 24 3/8" - (0.6 cm x 3.8 cm x 61.9 cm) - 11119
9. Right Post (1) 1 1/2" x 1 1/2" x 58" - (3.8 cm x 3.8 cm x 147.3 cm) - 11120
10. Bottom Rail (1) 7/8" x 1 1/2" x 24 3/8" - (2.2 cm x 3.8 cm x 61.9 cm) - 11121
11. 3/4" (2 cm) Self-Auguring Stainless Steel Screw (8) - 20016

Tools You Will Need

- Cordless Drill
- Tape Measure
- Level
- Shovel

General Information

- Read Instructions through carefully before beginning assembly.
- When assembling components, place on a non-abrasive surface (i.e. shipping box) to avoid scratching.
- We recommend an area approx 5' x 8' for unobstructed assembling.
- You should not need to use excessive force when assembling component.



STEP ONE

Assemble the Top Arch

1

Insert the top arch into the post caps as shown. Insert until the arches 'bottom out' on the post caps.

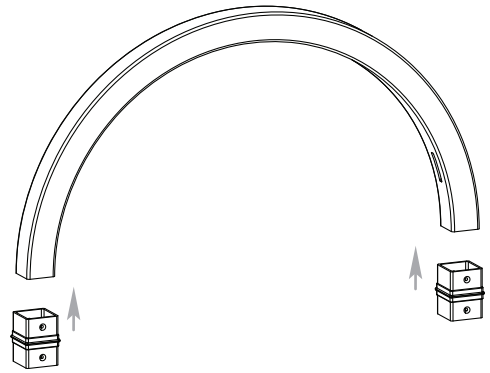
2

With 4 of the provided screws, fasten the post caps on both sides to the arches as shown.

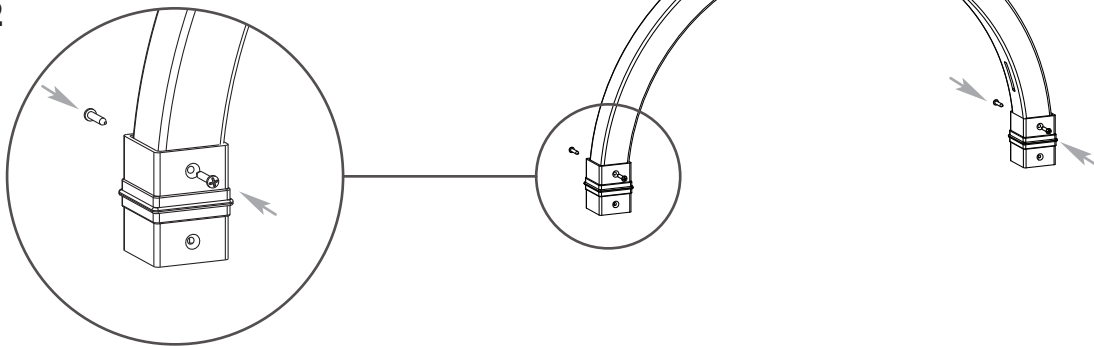
3

Insert the four arch spokes as shown. Note the two different lengths of arch spokes.

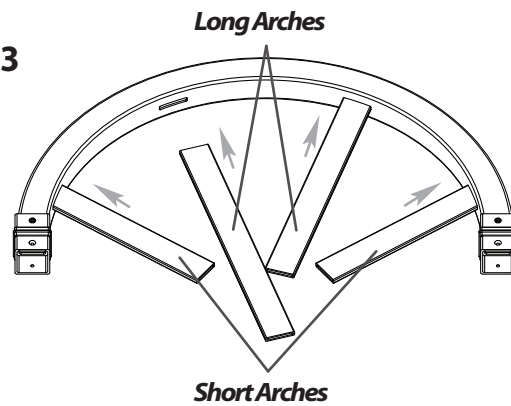
1



2



3



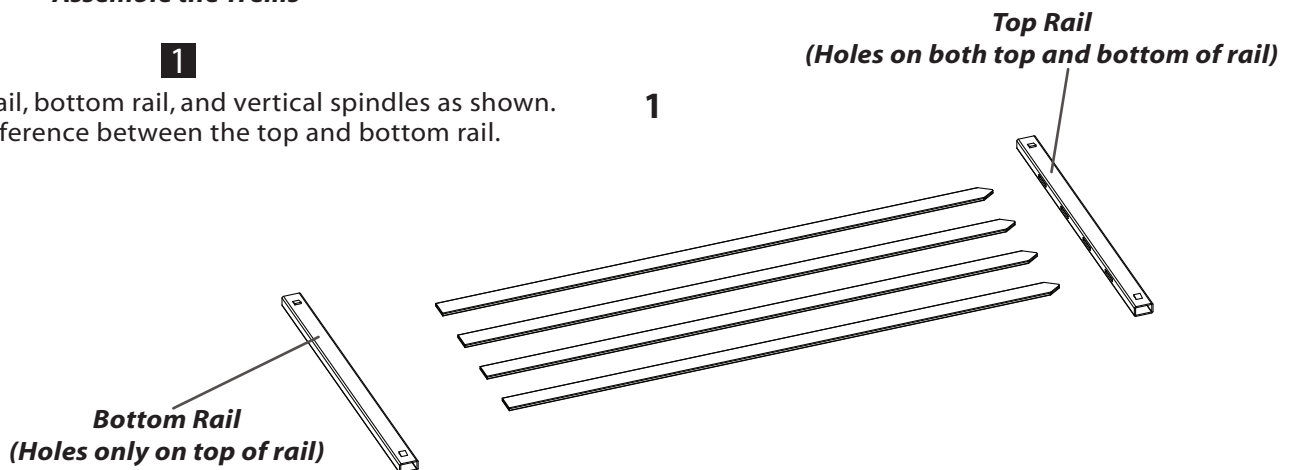
STEP TWO

Assemble the Trellis

1

Layout the top rail, bottom rail, and vertical spindles as shown. Note the difference between the top and bottom rail.

1



STEP TWO

Assemble the Trellis

2

Lay down one of the post on the ground with the holes facing up as shown. Carefully align and insert the top and bottom rails into the respective holes. Push until the tabs lock into place.

Note: Once inserted and pushed into the routed holes, the top and bottom rails will lock into place.

3

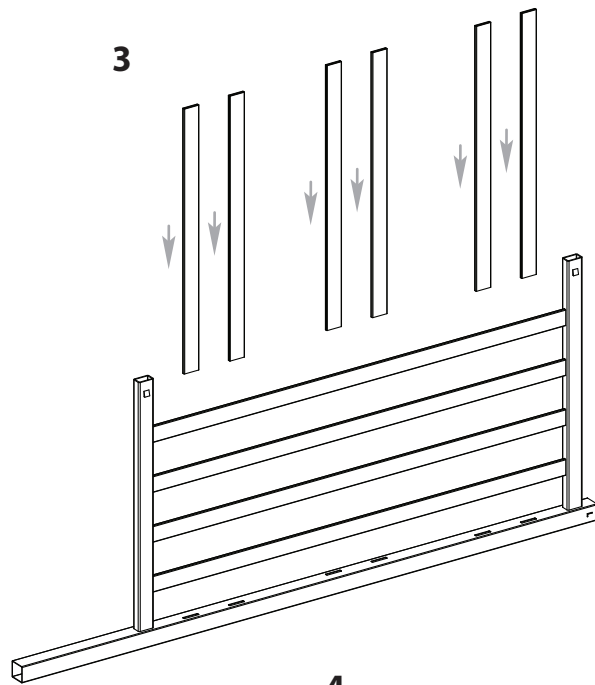
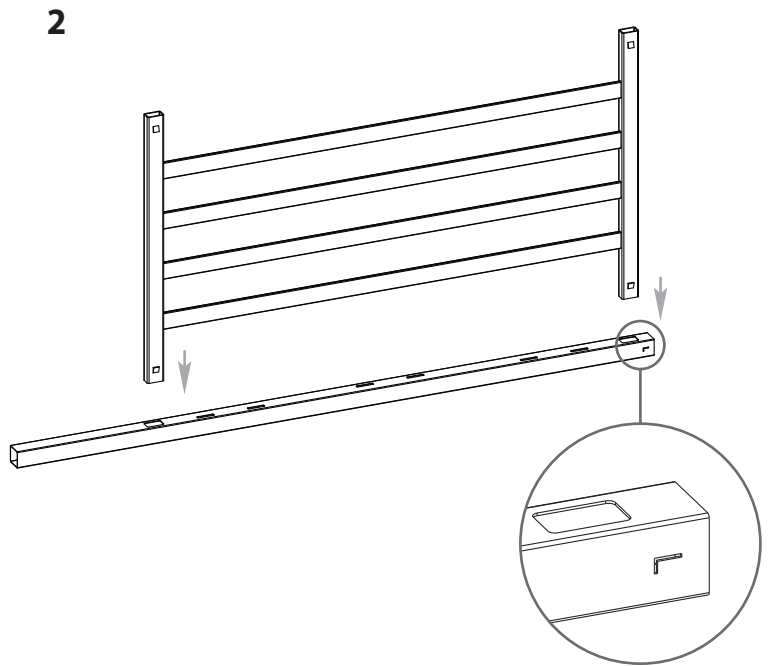
Continue by inserting the horizontal slats as shown. Note the pattern and location of the routed holes on the post.

4

Starting with the bottom rail, insert each of the horizontal components into the other post. Work your way to the top rail, one horizontal rail at a time.

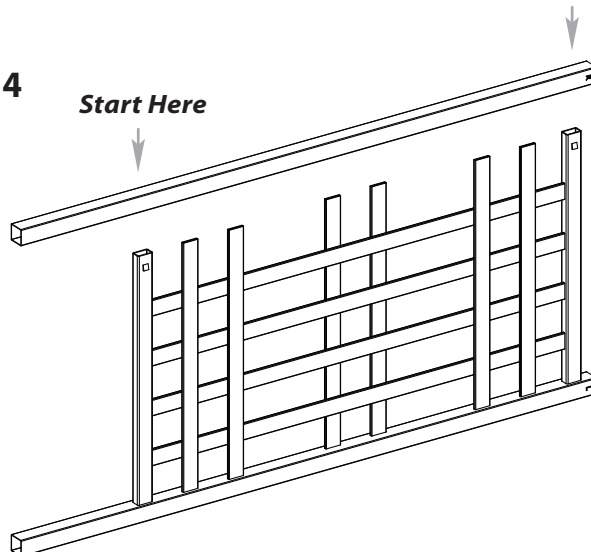
5

Align and insert the assembled top arch onto the trellis as shown. Excess force should not be used during this step.

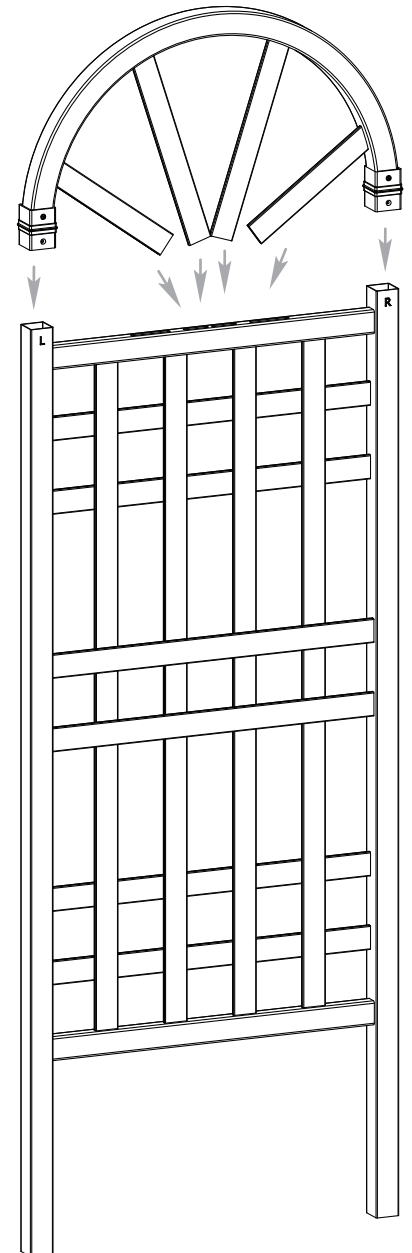


4

Start Here



5



6

Complete the trellis assembly by fastening the last four screws through the post caps onto the posts.

STEP THREE

Install Trellis into Ground

A

Move the trellis to its final location. When you are satisfied with the location, mark the positions of the posts, then move the trellis aside and carefully lay it on its side. Excavate the two posts holes approximately 10" (25.4 cm) deep x 3" (7.6 cm) diameter. Carefully move the trellis back into position.

B

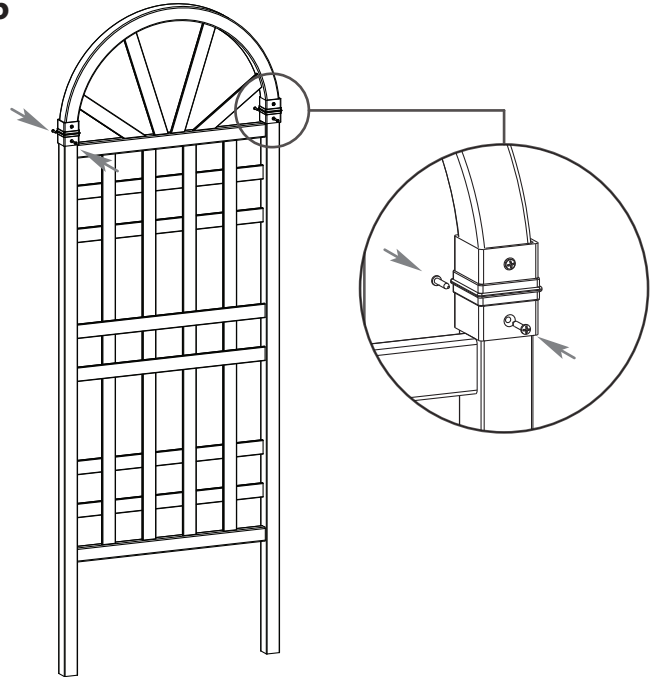
Level it both vertically and horizontally into the excavated holes.

C

Backfill the holes with the excavated soil.

Optional: for a sturdier installation, pour concrete into the excavated holes to hold the posts in place.

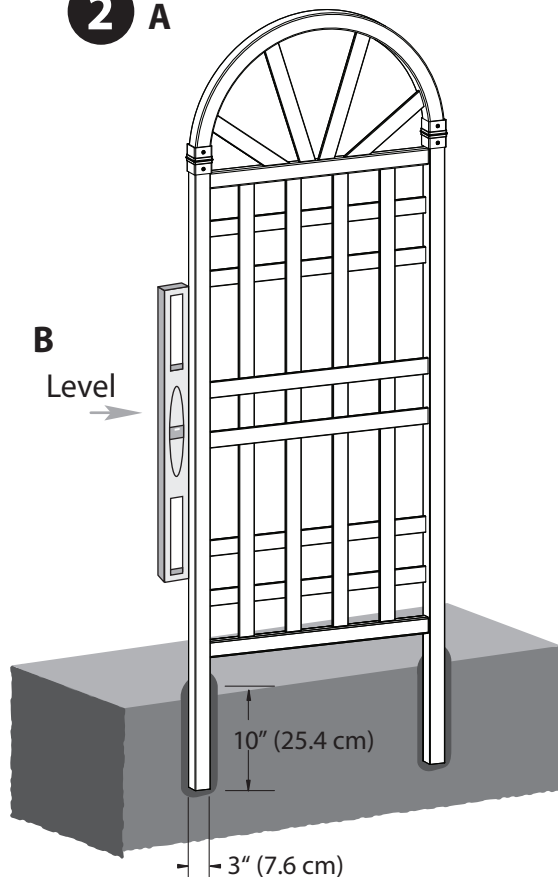
6



2 A

B

Level



C

