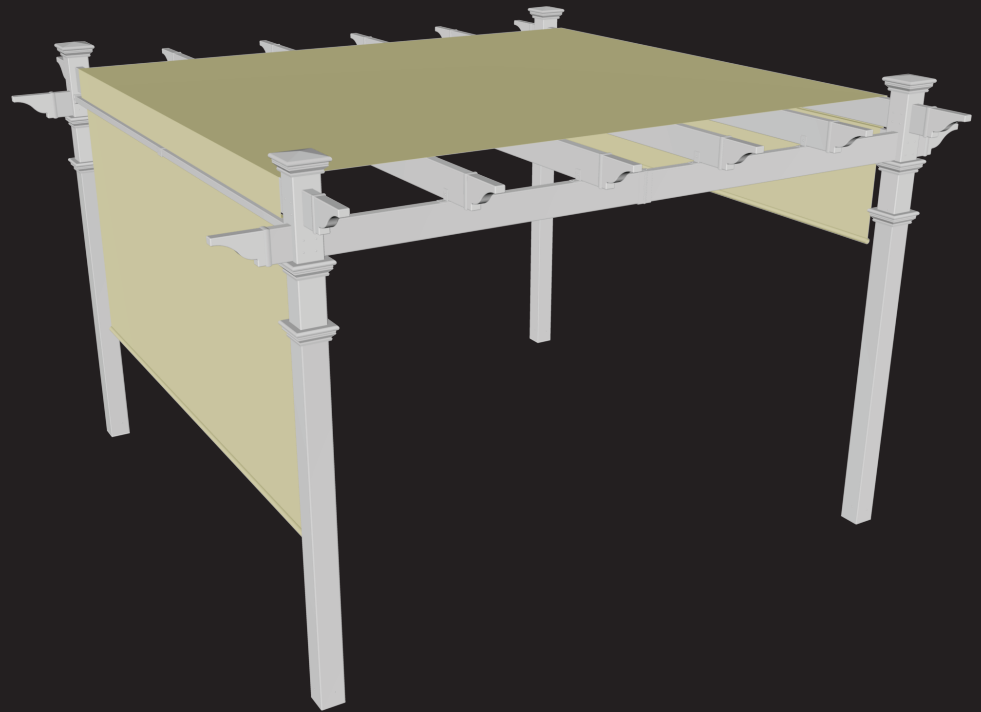


12 x 12 Flat Top Pergola with Canopy



Model: **Monterey**

OPTIONAL ACCESORIES

- Bolt Down Bracket Kit (4 for Pergola)
- Pergola Wall
- Pergola Planter

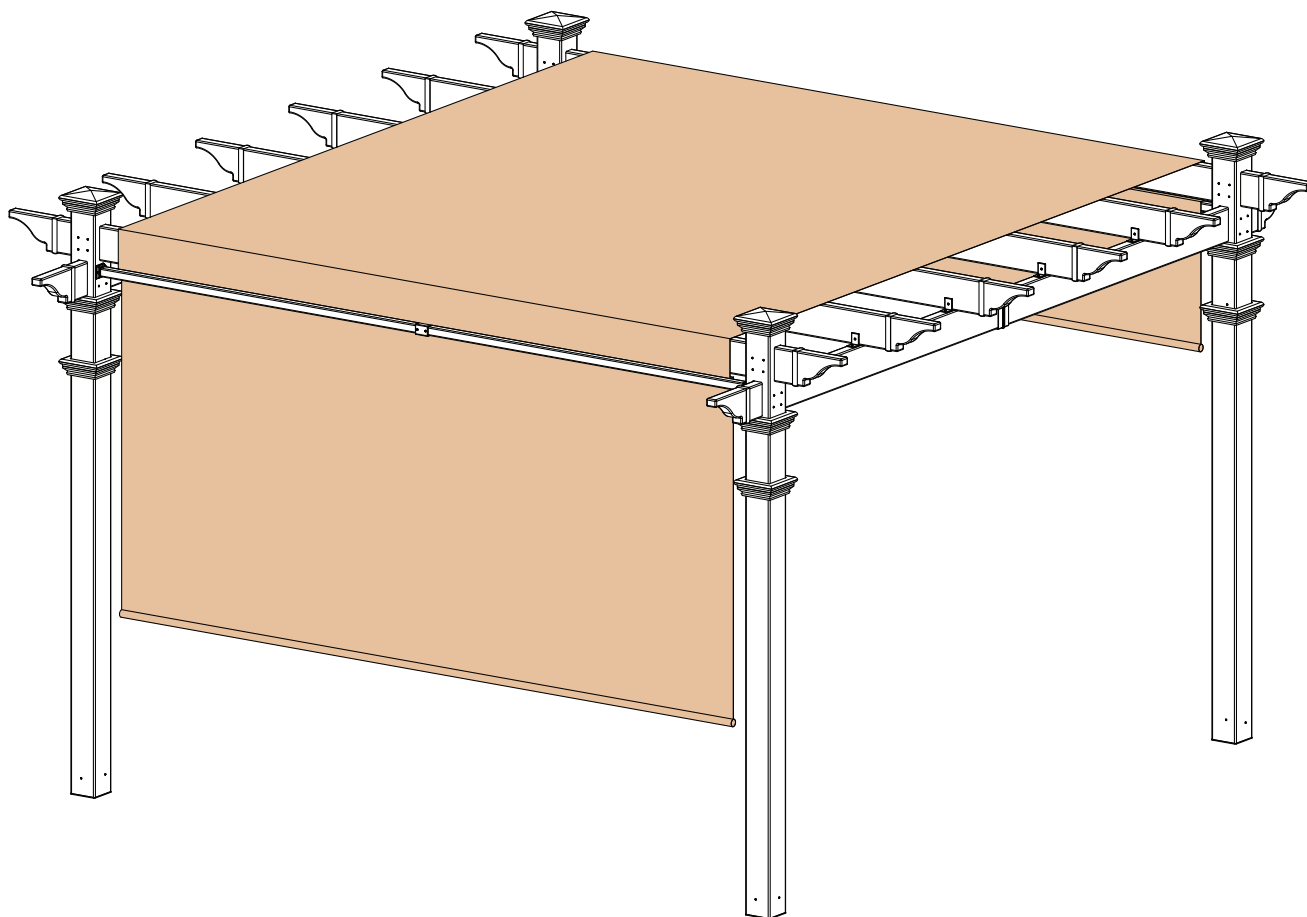


VER 2.0-010617



www.wearevita.com
211 Campbell St
Sarnia, ON, Canada, N7T 2G6

Introduction & Overview



Getting Started

First off, allow us to say thank you for the investment you have made in one of our fine pergola Canopy kits. This kit is designed to be assembled and installed ideally by two people with basic carpentry knowledge and tools. Do not attempt alone, especially during the installation stage. The Canopy kit is meant to fit any of our 12 x 12 Flat top Pergola. Ideally the canopy kit will be installed simultaneously as the pergola, but can also be installed retroactively to existing pergola with slight modifications. Both scenarios will be outlined in this set of instructions.

Planning & Preparing

Please consult the 12 x 12 pergola instructions and plan accordingly. Our Canopy kit has been designed such that you can adjust the 'walls' on two opposite sides and should be adjusted to what suits best.

Please be advised that in the event of high winds and/or snow, we recommend removing the canopy to avoid any damage to the canopy itself, the pergola, or any surrounding structures.

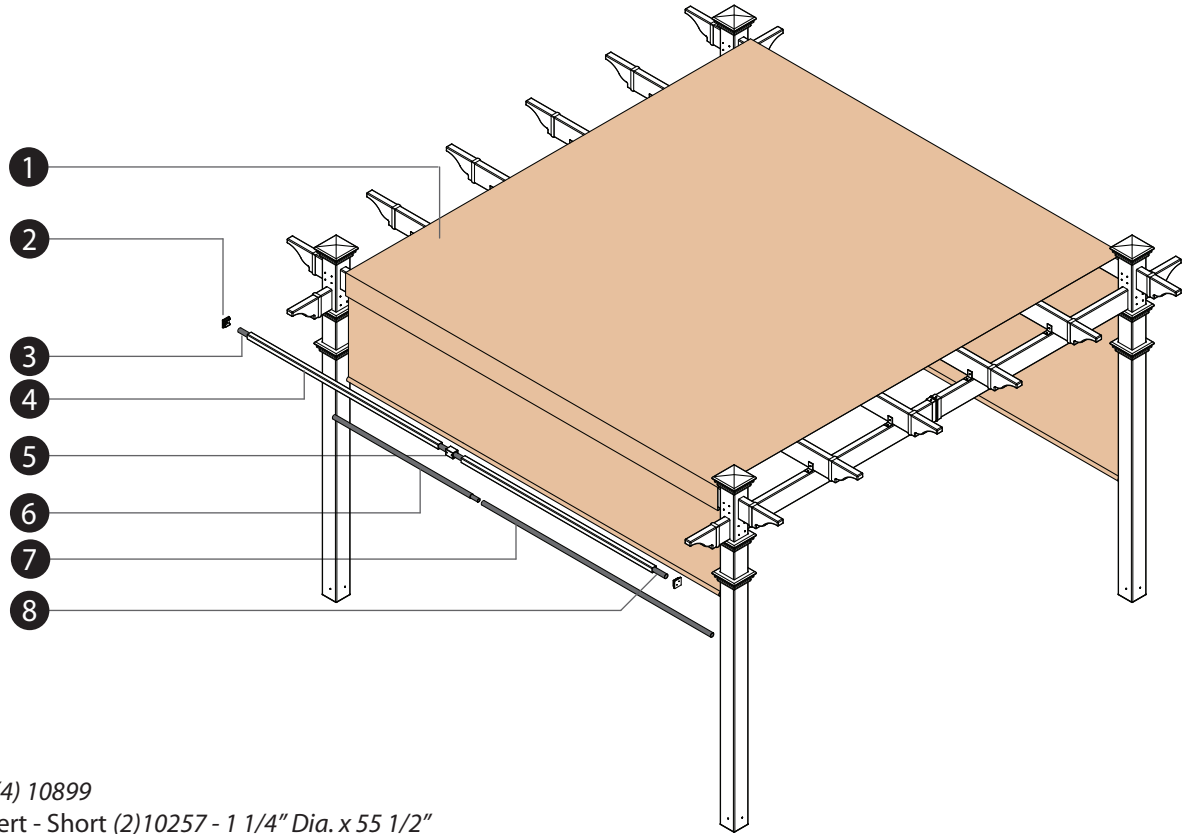
You should also check to verify local building codes, ordinances, neighbourhood covenants, or height restrictions regarding this type of structure.

Restriction of Use

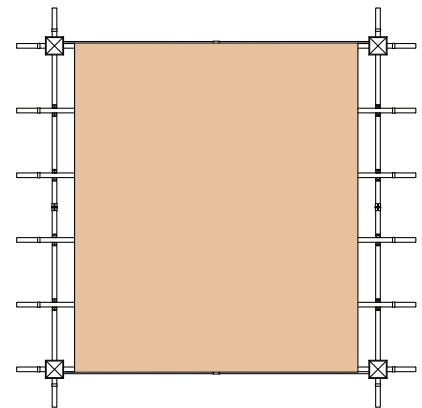
*This product **is not** designed to carry additional weight loads such as swings, people or other objects.*

Please take the time to read this instruction guide thoroughly prior to the construction of your pergola. If you have any questions, feel free to contact our technical dept by calling 1 800 282 9346 (Mon to Fri 8:00 AM to 5:00 PM EST)

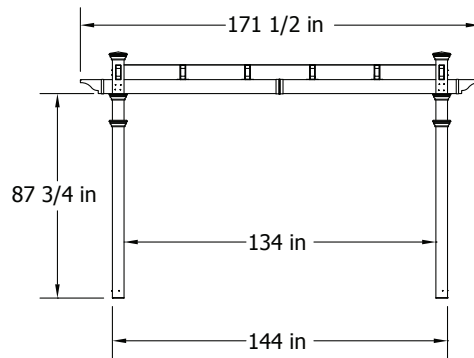
Monterey Pergola Materials Overview



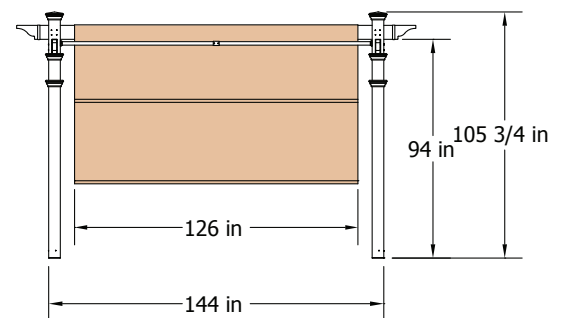
- 1. Canopy (1) 10256
 - 2. Retainer Bracket (4) 10899
 - 3. Retainer Steel Insert - Short (2) 10257 - 1 1/4" Dia. x 55 1/2"
 - 4. Canopy Retainer (4) 10258 - 1 1/2" x 1 1/2" x 66 5/8"
 - 5. Retainer Coupler (2) 10902
 - 6. Canopy Steel Insert - Short (2) 10259 - 1 1/4" Dia. x 46 1/2"
 - 7. Canopy Steel Insert - Long (2) 10261 - 1 1/4" Dia. x 80"
 - 8. Retainer Steel Insert - Long (2)* 10261 - 1 1/4" Dia. x 80"
- Note: Items 7 and 8 are identical.*



Top View



Front View



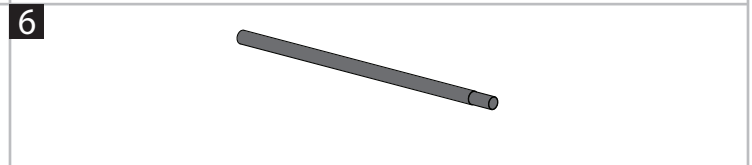
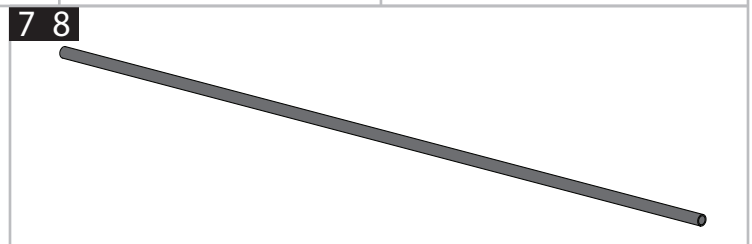
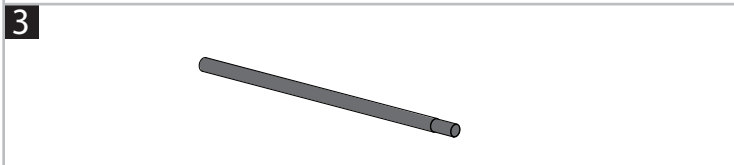
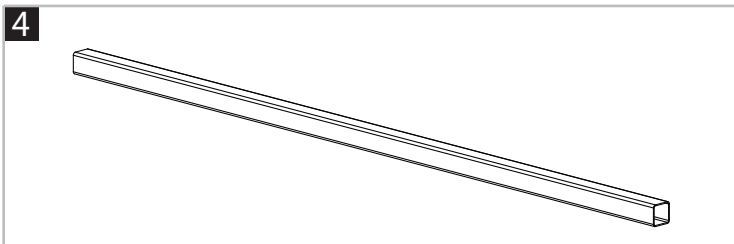
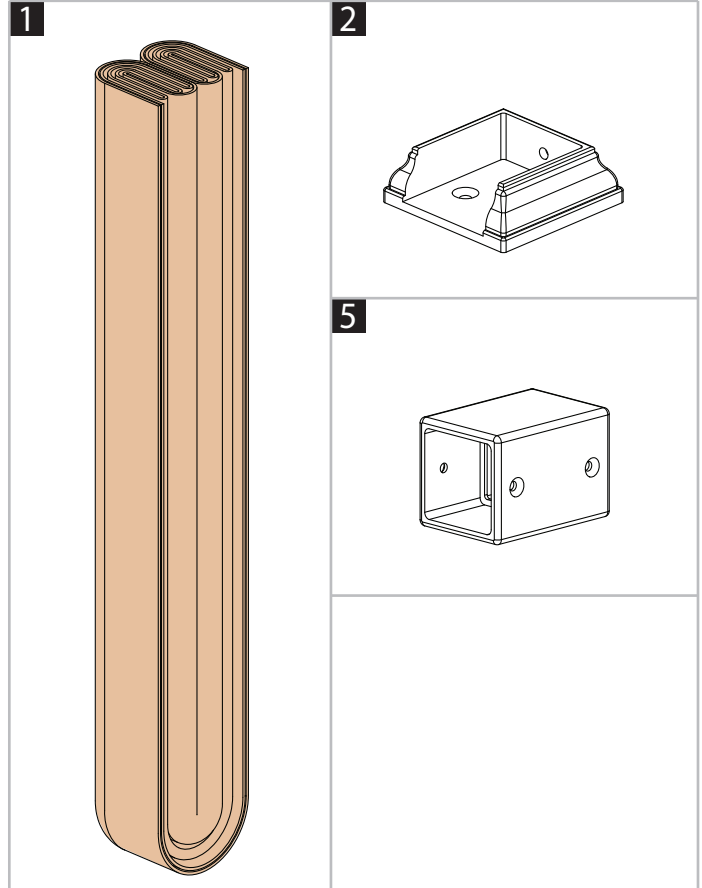
Side View

Monterey Pergola Materials Breakdown

Check Box for These Contents

In the event of missing or defective parts please call our customer service dept. at **1 800 282 9346** (Mon. to Fri. 8:00 AM to 5:00 PM EST).

1. Canopy (1) 10256
 2. Retainer Bracket (4) 10899
 3. Retainer Steel Insert - Short (2) 10257 - 1 1/4" Dia. x 55 1/2"
 4. Canopy Retainer (4) 10258 - 1 1/2" x 1 1/2" x 66 5/8"
 5. Retainer Coupler (2) 10902
 6. Canopy Steel Insert - Short (2) 10259 - 1 1/4" Dia. x 46 1/2"
 7. Canopy Steel Insert - Long (2) 10261 - 1 1/4" Dia. x 80"
 8. Retainer Steel Insert - Long (2)* 10261 - 1 1/4" Dia. x 80"
- Note: Items 7 and 8 are identical.*



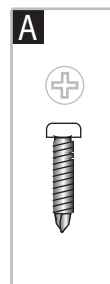
Not to Scale

Monterey Additional Materials List

Hardware (in plastic bag)

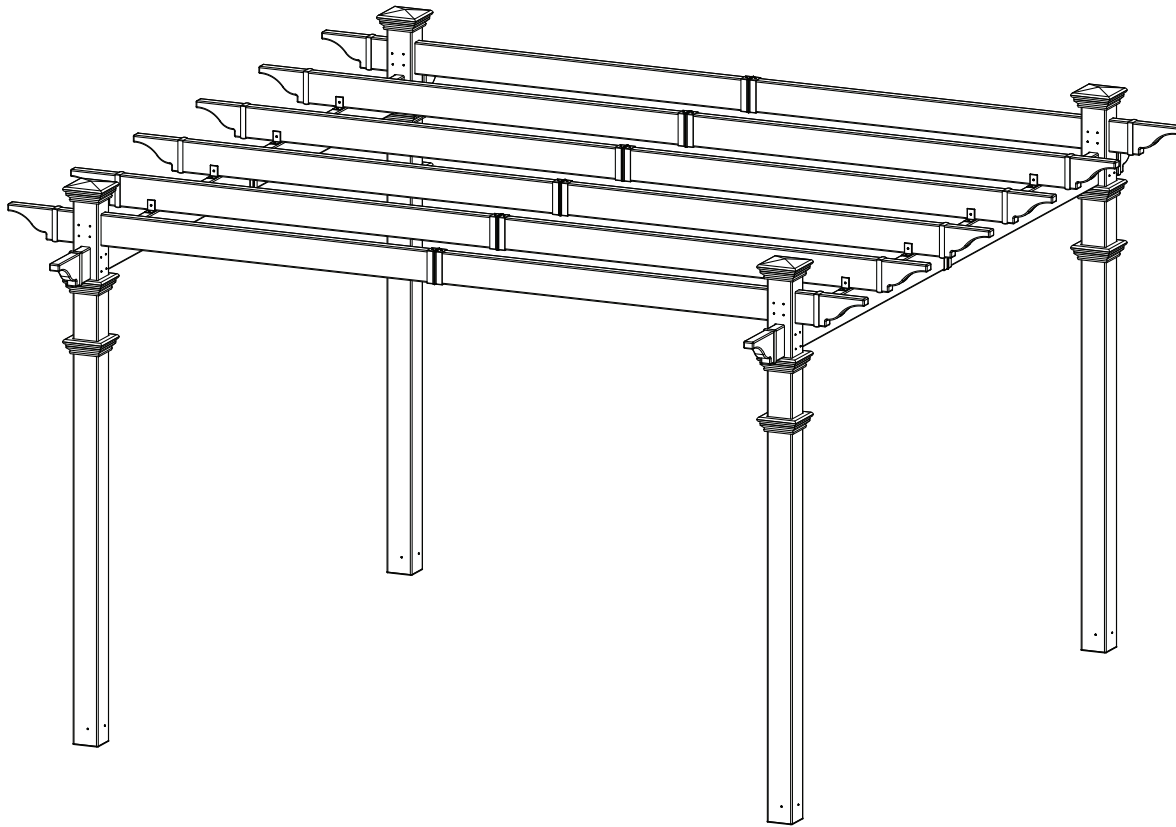
All Screws Included with this Kit are Self-Auguring.

- A. 5/8" Self-Auguring Stainless Steel Screws (20) 20016



STEP ONE

Follow steps ONE through SEVEN as per the 12 x 12 Flat Top Pergola instructions. Your pergola should look like the illustration below:



STEP TWO

Assemble Retainer Bars

1

Connect the two pipes (80" and 55½" - the longer of the two shorter ones).

2

Continue to assemble the retainer bar by connecting the two retainer extrusions and coupler with the pipe assembly inside as shown.

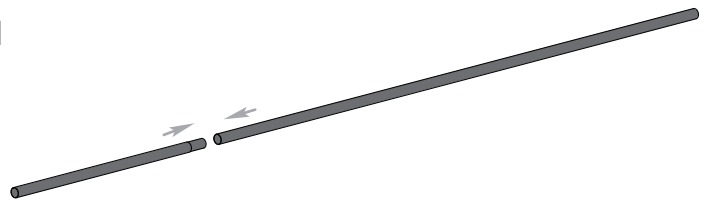
3

Fasten all the pieces together by using four of the provided screws.
Note: Ensure that the steel pipe is not protruding out of either end.
The steel pipe might need to be pre-drilled using the drill bit provided with your pergola hardware.

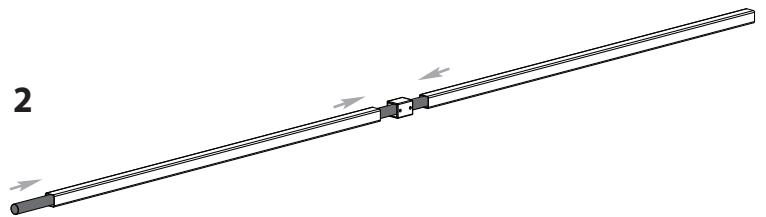
4

Repeat for second retainer.

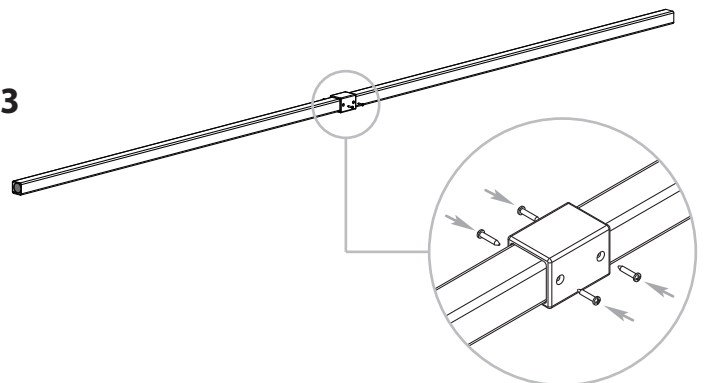
1



2



3



STEP THREE

Attach Retainer Bars

1

Fasten the retainer brackets to the post as shown. Ensure the opening of the bracket is facing the inside of the pergola. The upper inside face of the bracket will be 1" from the bottom of the rafter. Use two screws provided to fasten to post. Repeat for adjacent post.

2

From the inside of the pergola, insert the retainer bar into the opening of the brackets.

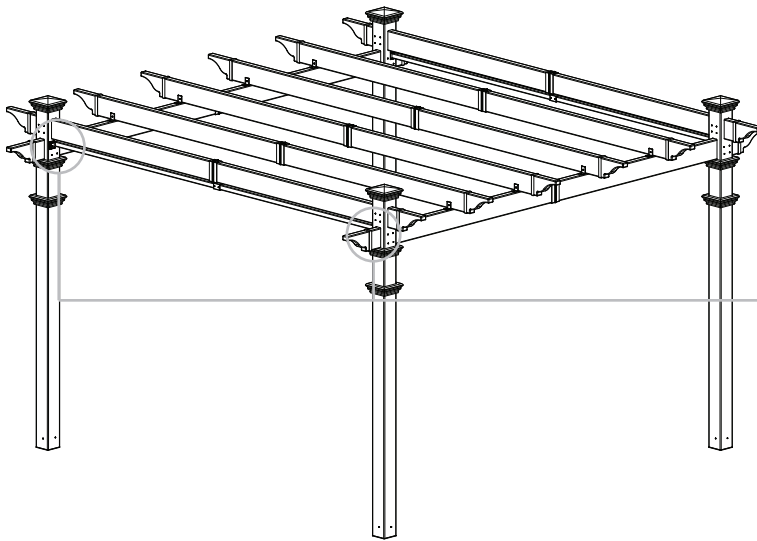
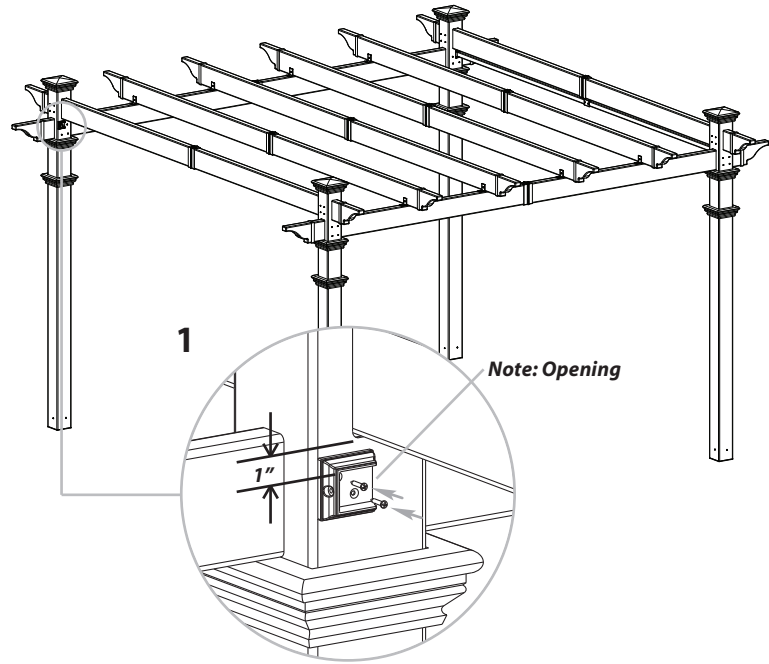
Note: Because post location can vary slightly, if the retaining bar does not fit easily it can be trimmed as necessary. Steel pipe can be trimmed as well with a hacksaw.

3

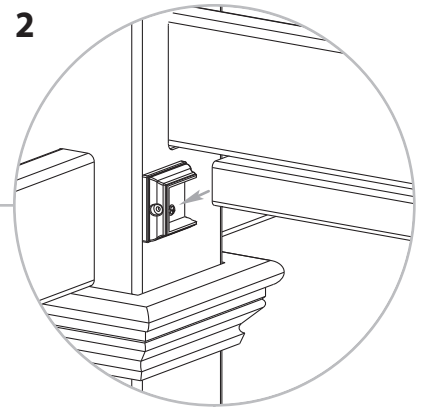
Fasten the retaining bar into the brackets using one screw per bracket as shown.

4

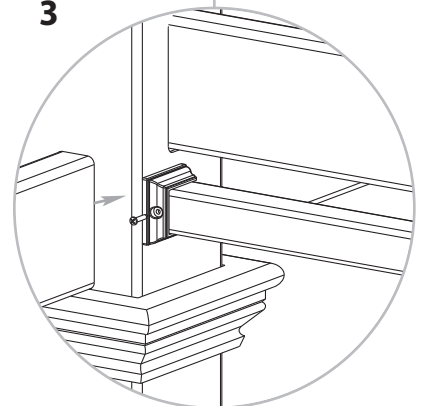
Repeat for other retainer bar.



2



3



STEP FOUR

Attach Canopy

1

Navigate the canopy between the retainer bar and the end rafters and over the pergola as shown. A helper would be required.

2

Attached the second set of pipe together (80" & 46½") and insert into the opening at the end of the canopy as shown.

Notes:

1. Canopy can be adjusted by first 'pushing' up on the one end and pulling down on the other end (or use a helper).
2. To remove canopy, simply remove the steel insert from one end and slide the canopy out.

