

RRDCGY_0534_1216_V1

© Mamas & Papas Ltd, 2017

Harrow

Thank you for ordering from Mamas & Papas.

For over 30 years, we have been committed to creating a world of quality, individuality and style for parents around the world. At the very beginning we were inspired by our daughters — now we see them all grown up, with children of their own, helping us to share our passion for parenting to their generation of Mums and Dads. We hope you enjoy exploring our new collection and wish you a very warm welcome to our world.

We are committed to designing and developing products to the highest standards, for your family to enjoy and we welcome any feedback or comments you may have.

The Mamas & Papas Family.

Gracias por elegir Mamas & Papas.

Durante más de 30 años, nuestro compromiso ha sido crear un mundo de calidad, individualidad y estilo para padres de todo el mundo. Al principio nos inspiraron nuestras propias hijas, que ahora son adultas y tienen sus propios hijos, y nos ayudan a compartir nuestra pasión por la paternidad con su generación de mamás y papás. Esperamos que disfruten descubriendo nuestra nueva colección y les damos una calurosa bienvenida a nuestro mundo.

Nos comprometemos a diseñar y elaborar productos de la mejor calidad, con el fin de que su familia los disfrute y nosotros recibamos las respuestas y comentarios que le puedan surgir.

La Familia Mamas & Papas.

Merci d'avoir choisi Mamas & Papas.

Cela fait plus de 30 années que nous nous consacrons à créer un monde de qualité, d'individualité et de style pour les parents dans le monde entier. Au tout début, nous étions inspirés par nos filles — à présent celles-ci ont grandi, elles ont des enfants aussi et nous aident à partager avec vous notre passion de création en nous adressant à leur génération de mamans et de papas. Nous espérons que vous passerez un agréable moment à découvrir notre nouvelle collection et nous sommes heureux de vous accueillir dans notre monde.

Nous nous engageons à concevoir et à développer des produits de la plus haute qualité, pour le plaisir de votre famille et nous serions heureux de recevoir vos réactions et observations éventuelles.

La Famille Mamas & Papas.



für Mamas & Papas entschieden haben.

Seit über 30 Jahren entwickeln wir mit großem Engagement für Eltern in aller Welt Produkte, die für Qualität, Individualität und Stil stehen. Die erste Inspiration gaben uns unsere Töchter, die mittlerweile erwachsen sind, selbst Kinder haben und uns nun dabei helfen, die Mütter und Väter ihrer Generation mit unserer Begeisterung für Babyprodukte anzustecken. Wir hoffen, dass es Ihnen Spaß machen wird, sich unsere neue Kollektion anzusehen, und heißen Sie herzlich willkommen in unserer Welt.

Wir haben es uns zur Aufgabe gemacht, Produkte auf höchstem Niveau zu entwerfen, die Ihre Familie genießen kann. Daher freuen wir uns immer über Ihr Feedback oder Ihre Kommentare.

Die Mamas & Papas-Familie.

Grazie per aver scelto Mamas & Papas.

Da oltre 30 anni lavoriamo per creare un mondo di qualità, unicità e stile per i genitori di tutto il mondo. All'inizio abbiamo tratto ispirazione dalle nostre figlie; adesso che sono cresciute e hanno a loro volta dei figli, ci aiutano a far conoscere alla loro generazione di mamme e papà la nostra passione nel vivere l'esperienza di genitori. Ci auguriamo che apprezzerete la nostra nuova collezione e vi diamo un caloroso benvenuto nel nostro mondo

Il nostro impegno è quello di progettare e realizzare prodotti rispondenti agli standard più elevati per la vostra famiglia e saremo lieti di ricevere suggerimenti o commenti da parte vostra.

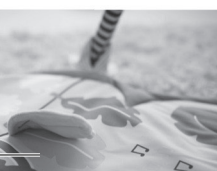
La famiglia di Mamas & Papas.

Hartelijk dank dat u voor een product van Mamas & Papas heeft gekozen.

Al meer dan 30 jaar zetten wij ons in om een wereld van kwaliteit, individualiteit en stijl te scheppen voor ouders verspreid over de hele aardbol. In het begin werden we geïnspireerd door onze eigen dochters. Nu die volwassen zijn en zelf kinderen hebben, helpen zij ons onze passie voor ouderschap te delen met vaders en moeders van hun eigen generatie. We hopen dat u onze nieuwe collectie met plezier zult verkennen en heten u van harte welkom in onze wereld.

Wij hopen dat u met uw gezin van onze producten zult genieten en mocht u feedback willen geven of andere opmerkingen hebben, dan horen we graag van u.

De Mamas & Papas Familie.



IMPORTANT!
EN RETAIN FOR FUTURE REFERENCE:
READ CAREFULLY

¡IMPORTANTE!
ES LEA ESTAS INSTRUCCIONES DETENIDAMENTE Y
GUÁRDELAS PARA FUTURA REFERENCIA

IMPORTANT !
FR VEUILLEZ LIRE CES CONSIGNES AVEC ATTENTION
ET LES CONSERVER POUR VOUS Y REPORTER
ULTÉRIEUREMENT

ACHTUNG!
D BITTE LESEN SIE SICH DIESE ANWEISUNGEN
SORGFÄLTIG DURCH UND BEWAHREN SIE SIE FÜR
ZUKÜNFTIGE VERWENDUNG AUF

IMPORTANTE!
IT LEGGERE ATTENTAMENTE QUESTE ISTRUZIONI E
CONSERVARLE COME RIFERIMENTO FUTURO

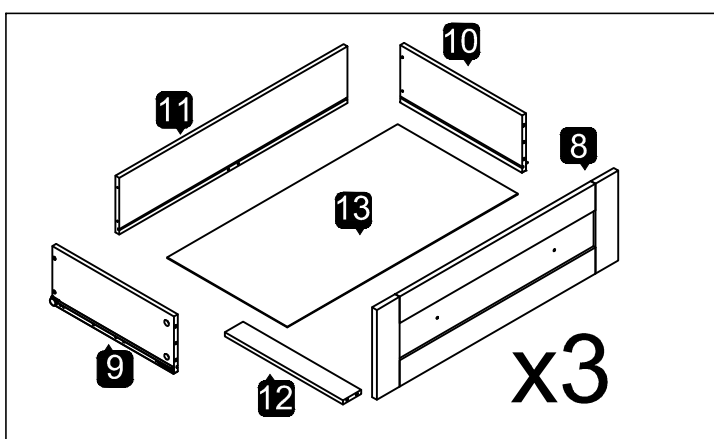
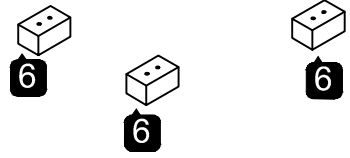
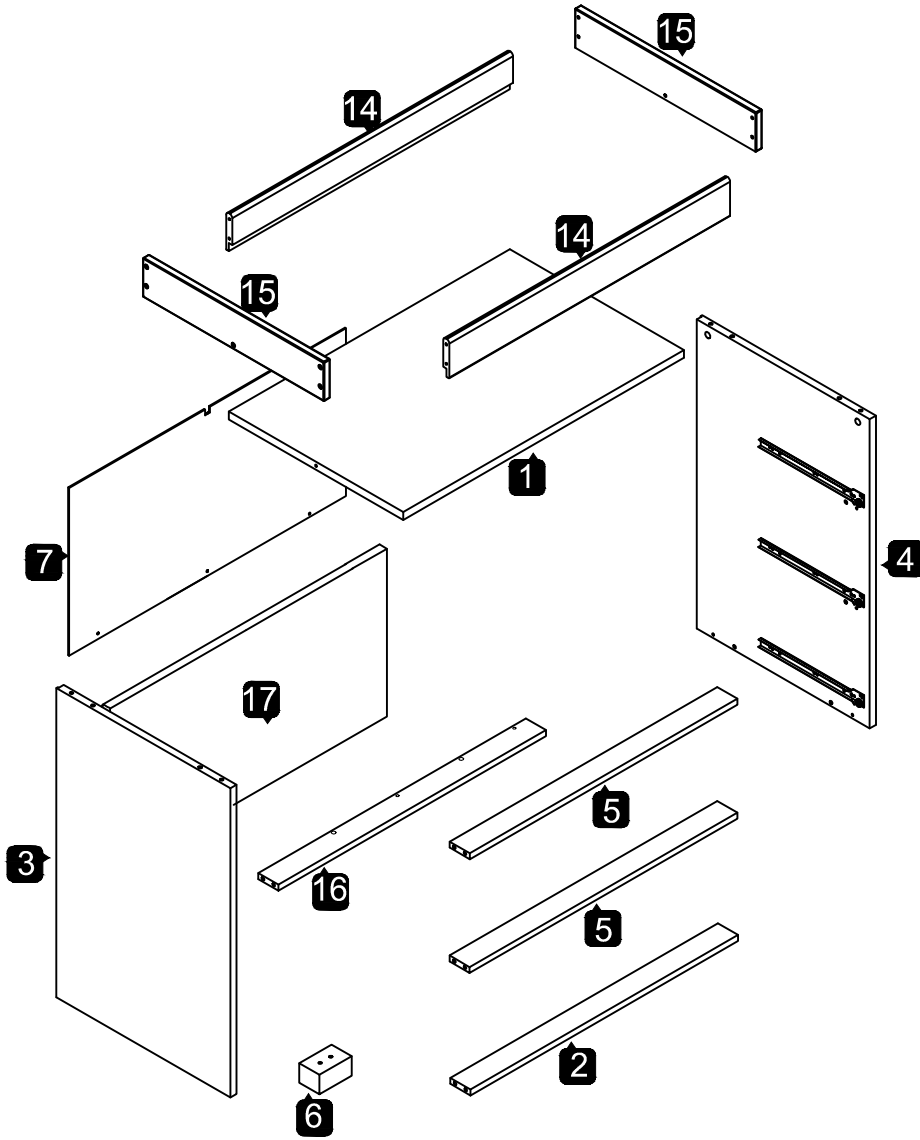
BELANGRIJK!
NL BEWAAR VOOR TOEKOMSTIGE REFERENTIE:
LEES DIT ZORGVULDIG DOOR

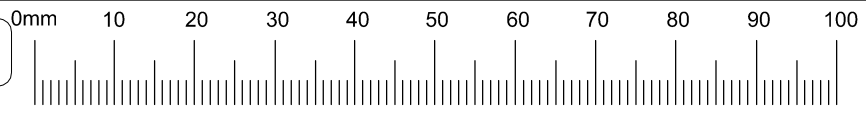
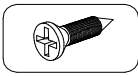


- 2
- 5_{x2}
- 6_{x4}
- 8_{x3}
- 9_{x3}
- 10_{x3}
- 11_{x3}
- 12_{x3}
- 13_{x3}
- 14_{x2}
- 15_{x2}
- 16
-



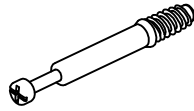
- 1
- 3
- 4
- 7
- 17





A

x34



B

x34



C

x1

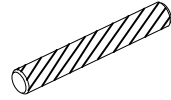


D

x18



Ø8



E

x9

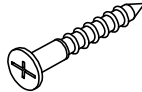


Ø6



F

x18



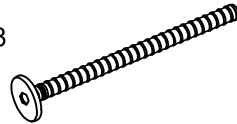
G

x10



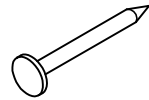
H

x8



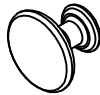
i

x12



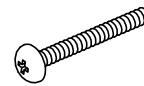
J

x6



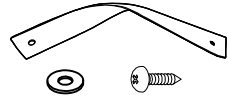
K

x6



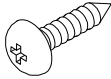
L

x1

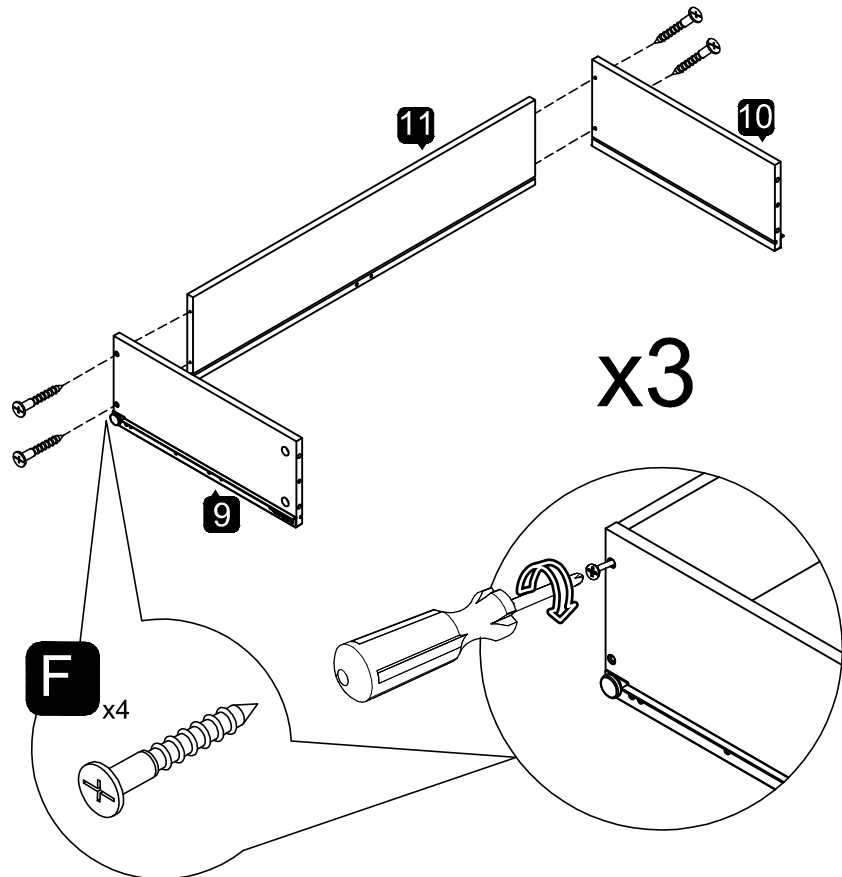


M

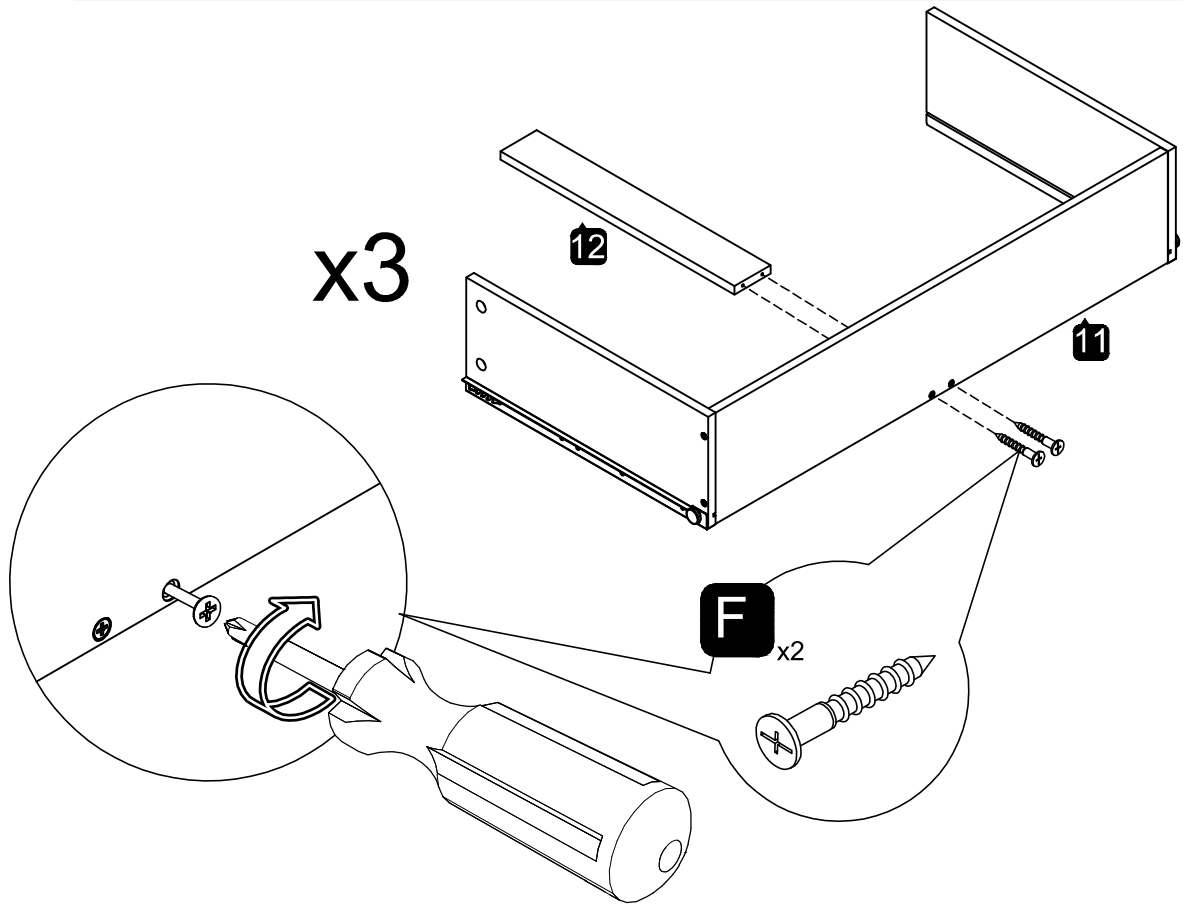
x3



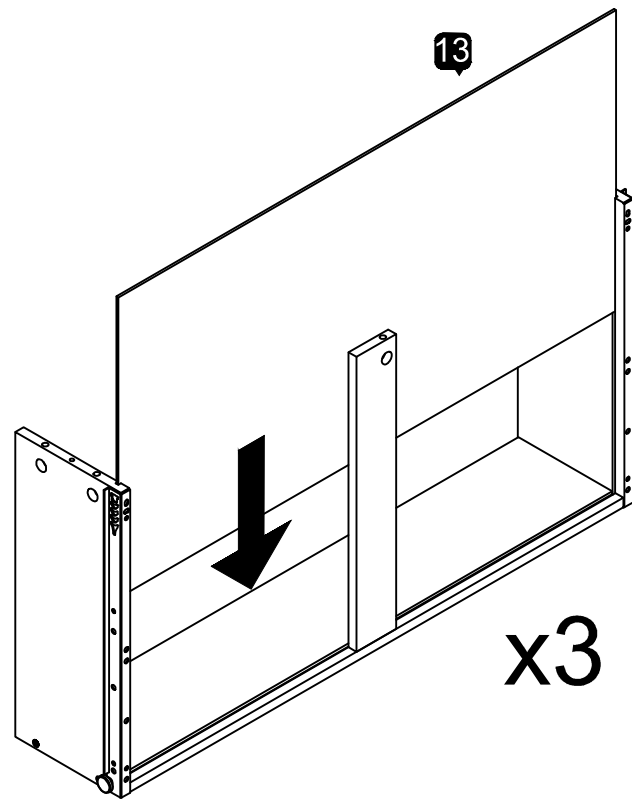
1



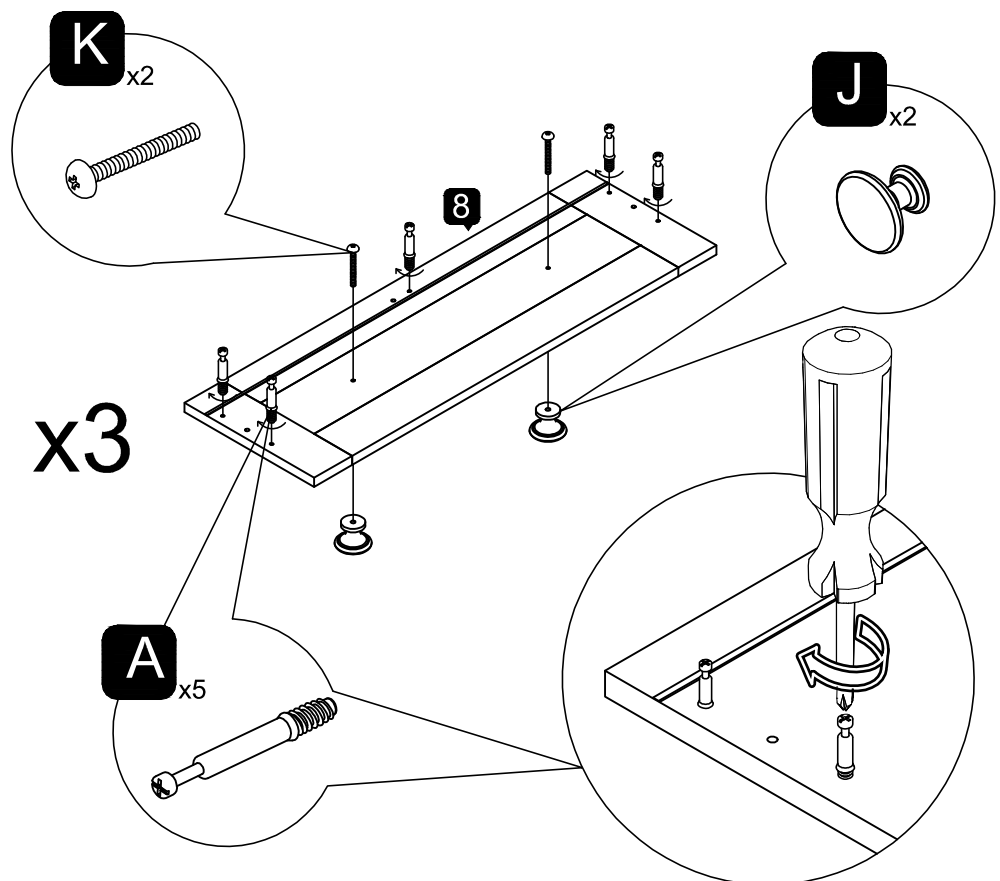
2



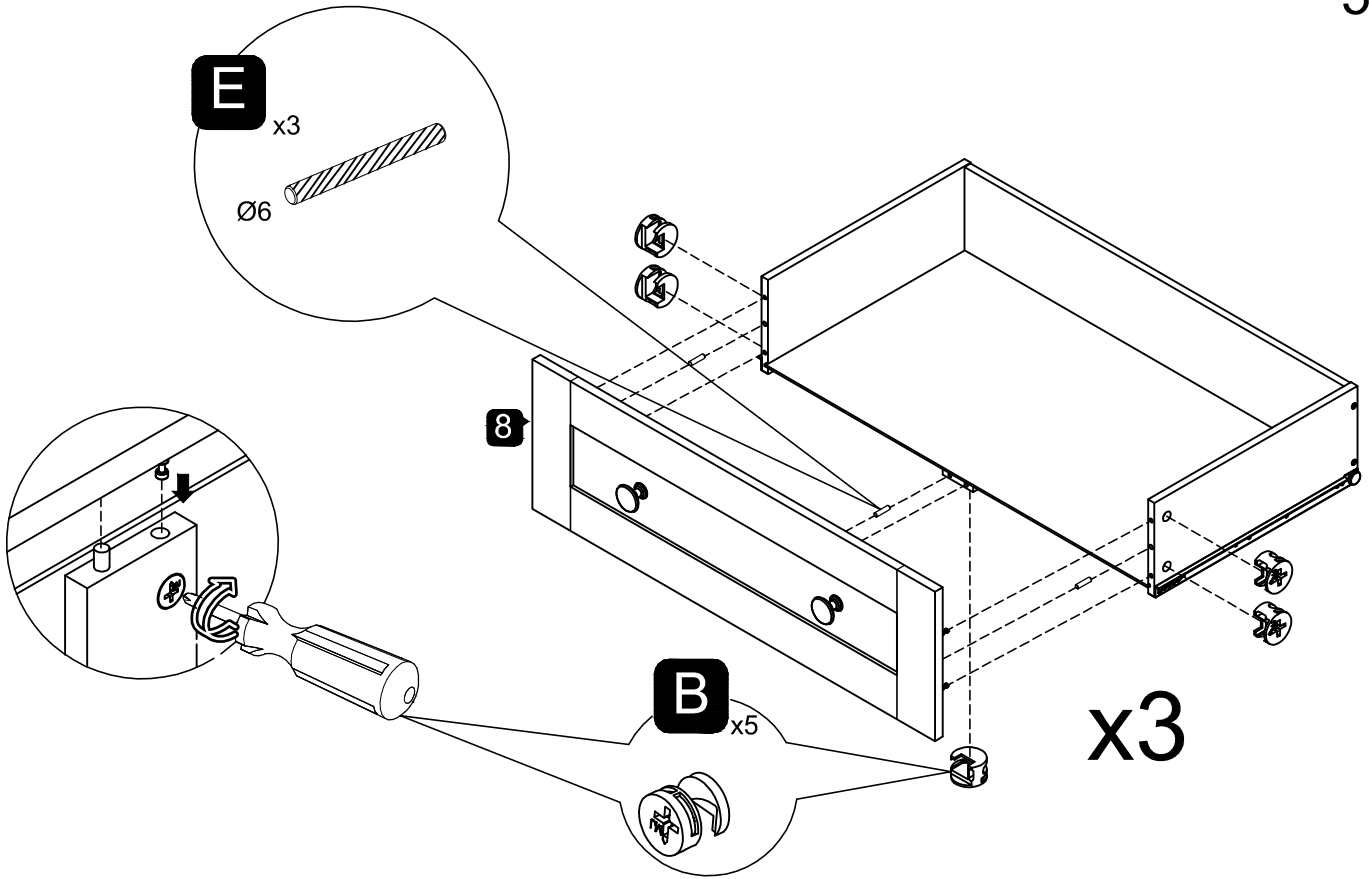
3



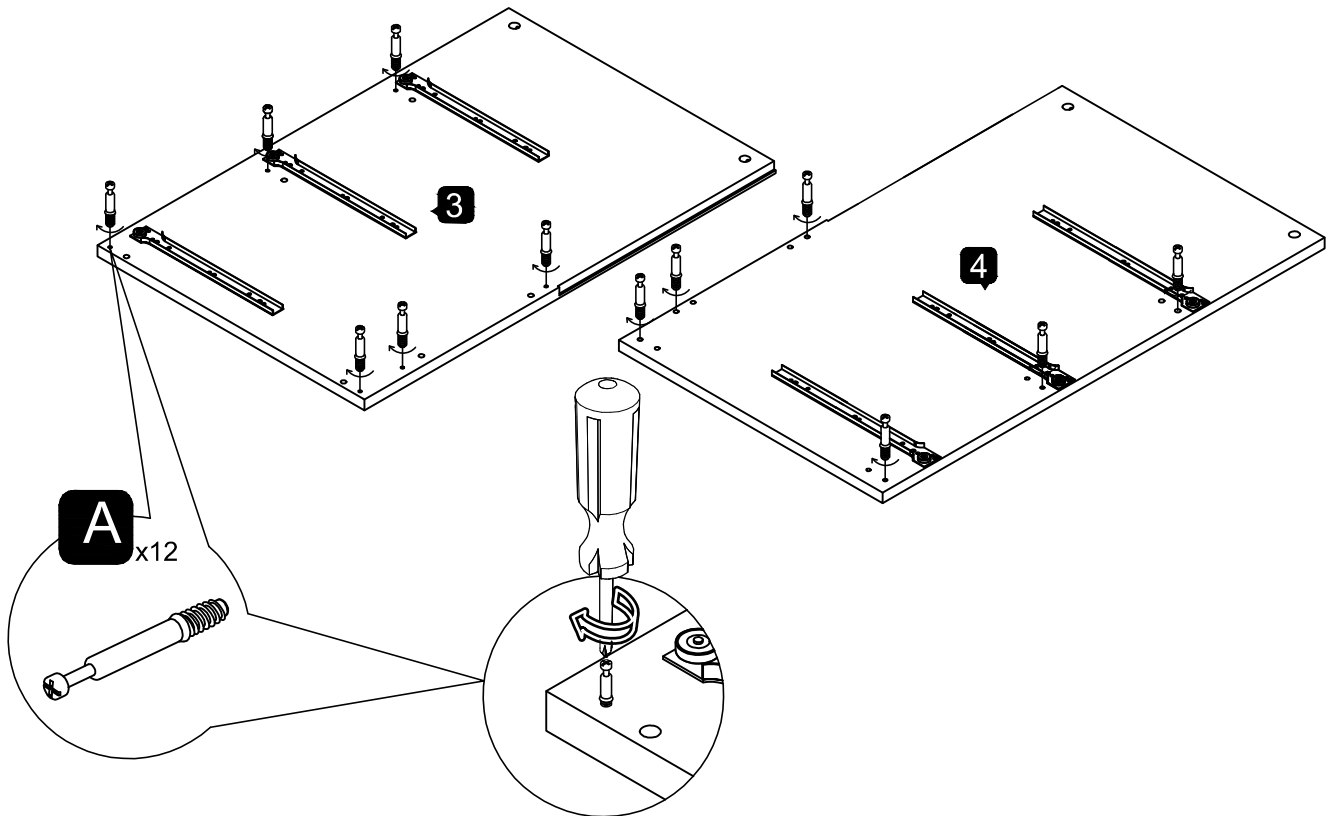
4



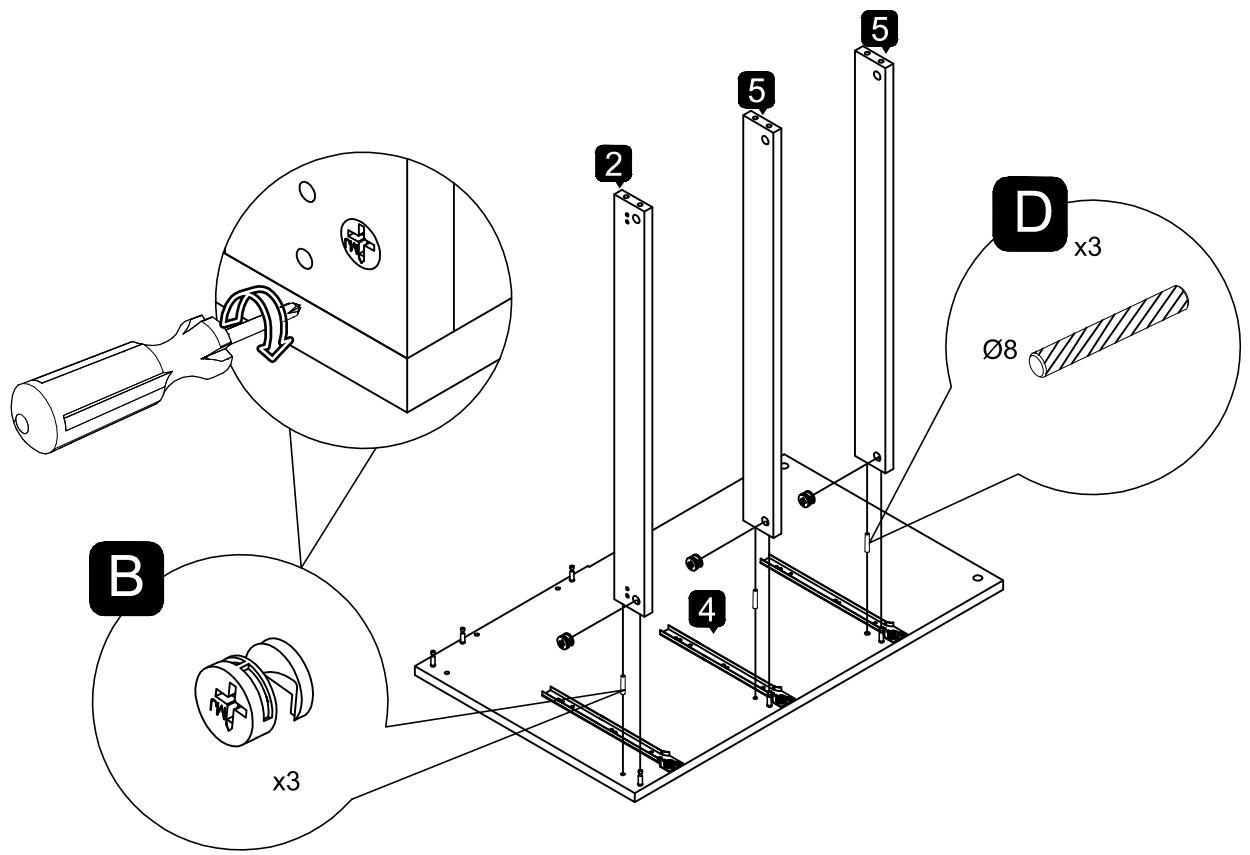
5



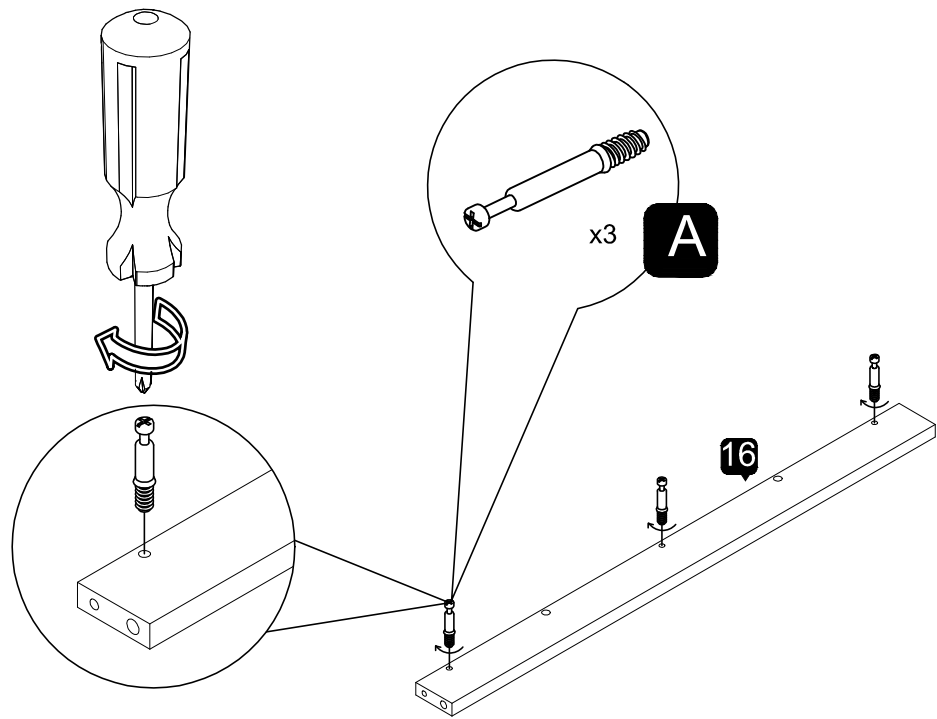
6



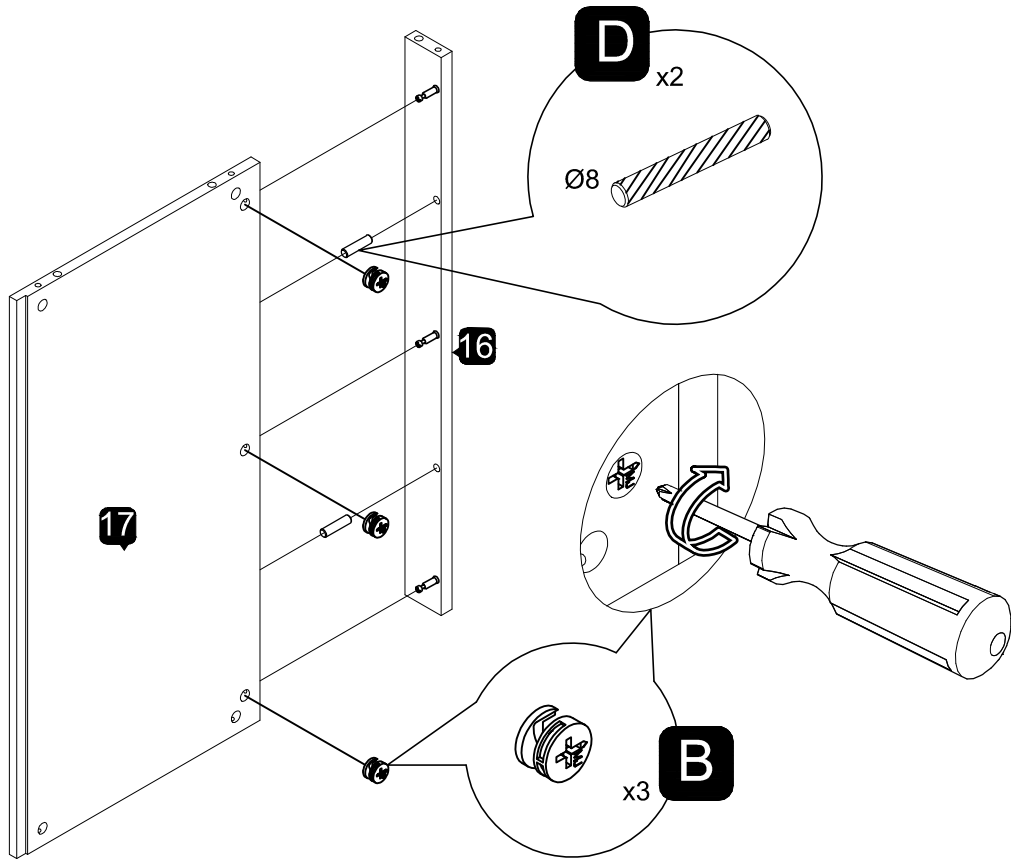
7



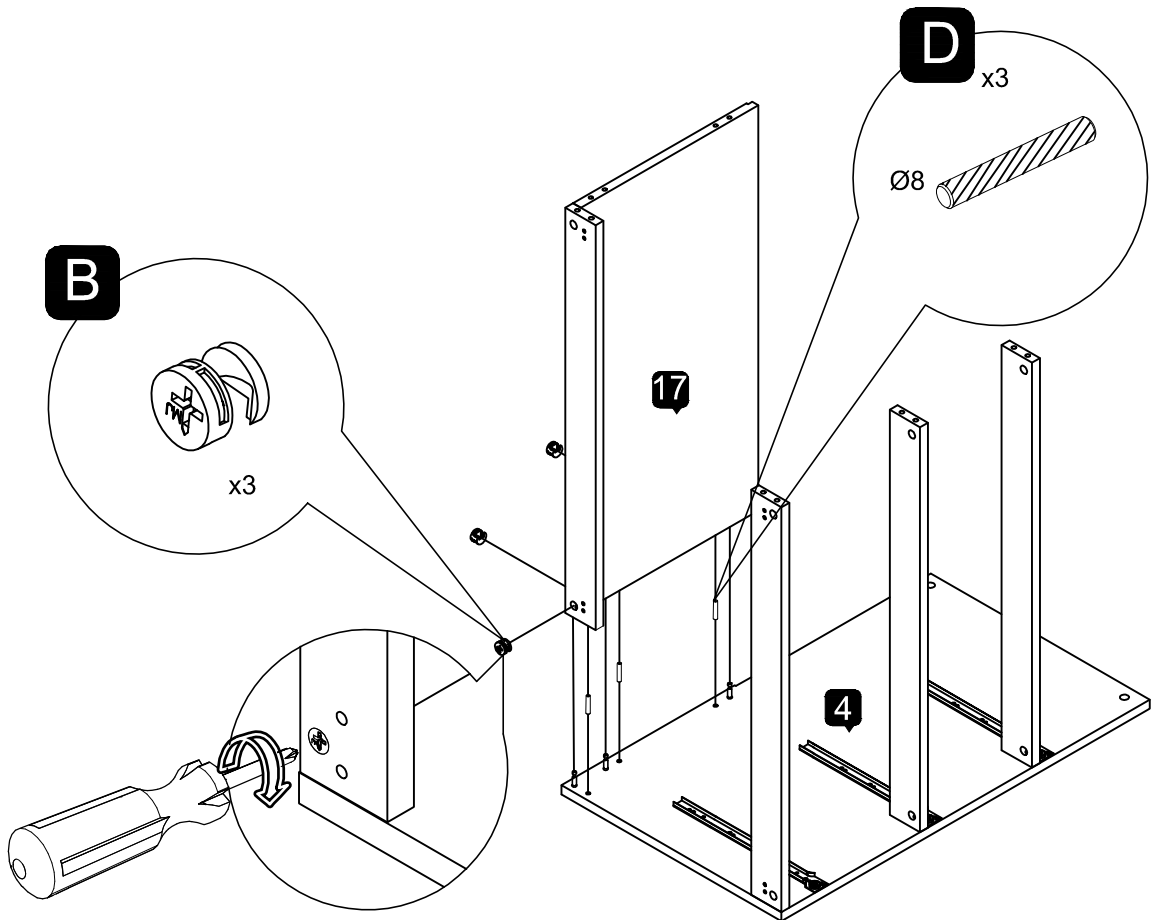
8



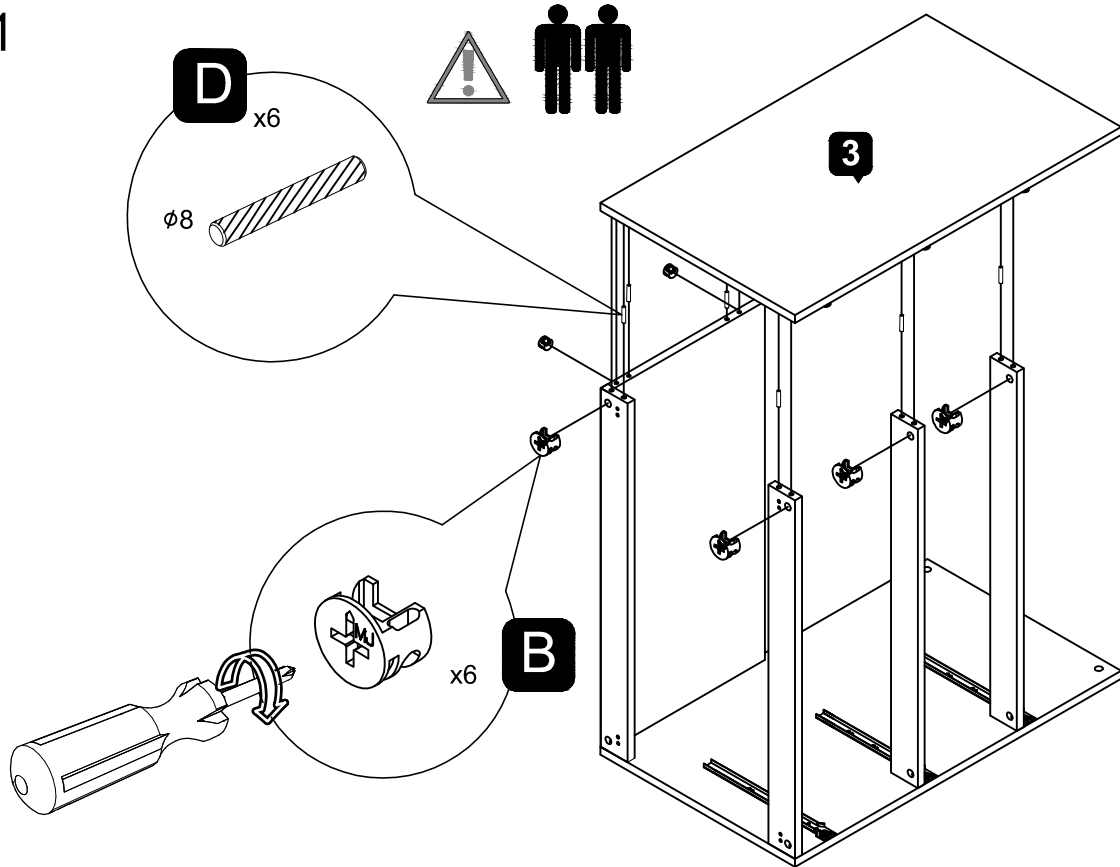
9



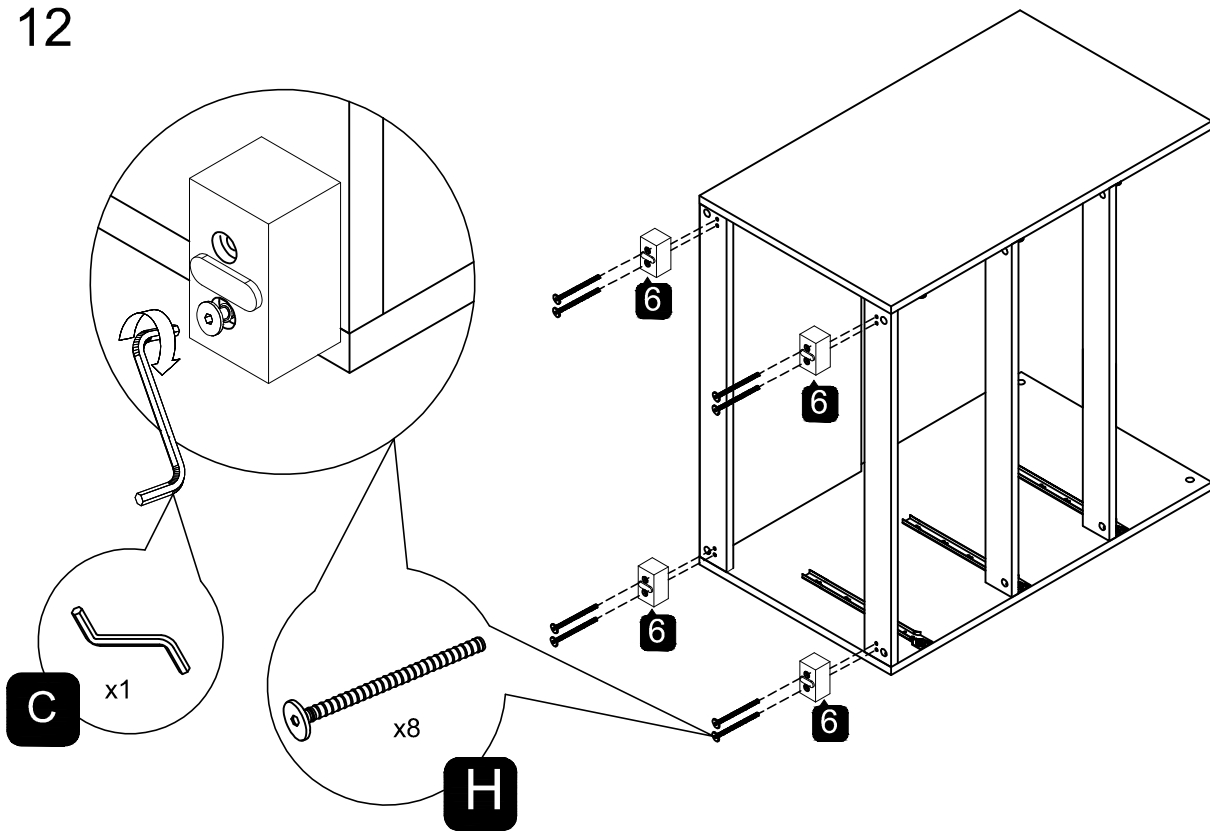
10



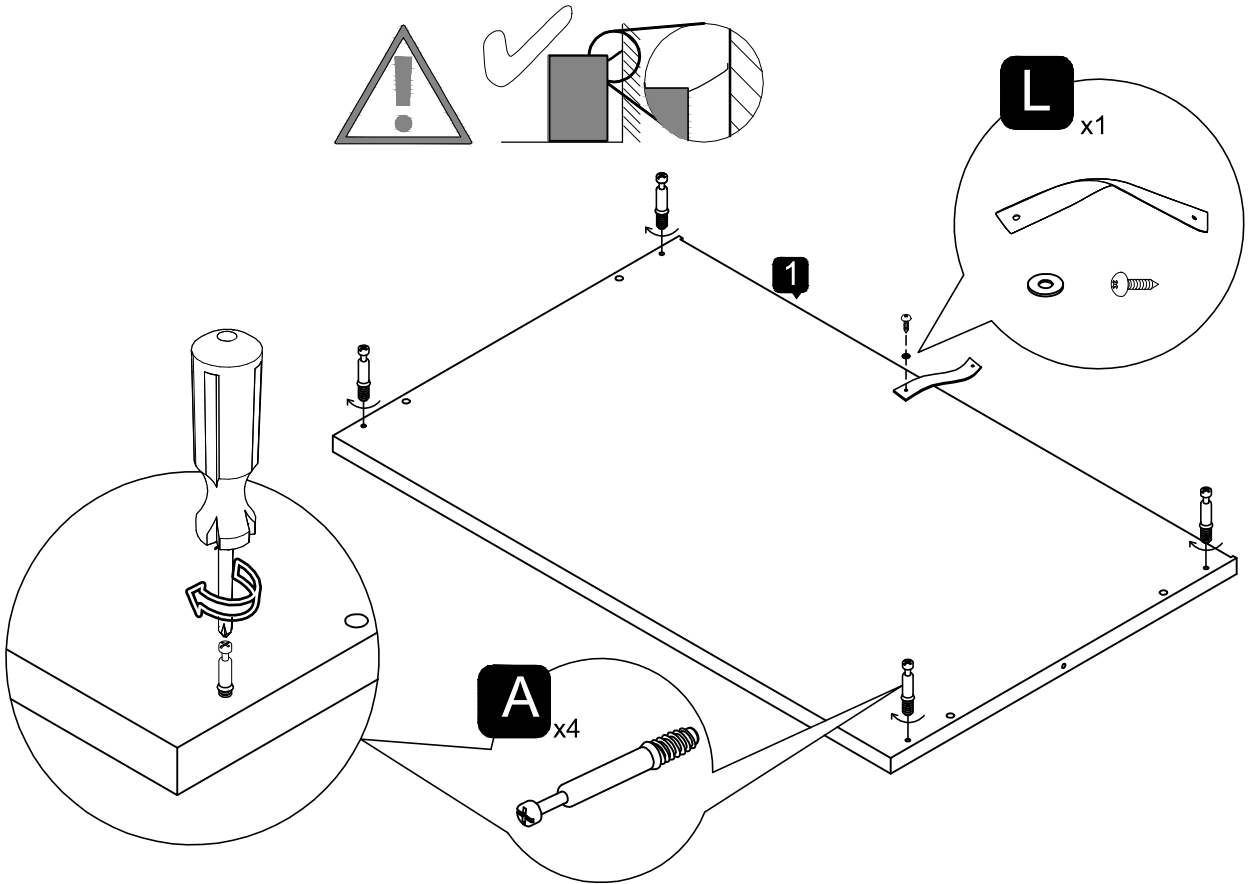
11



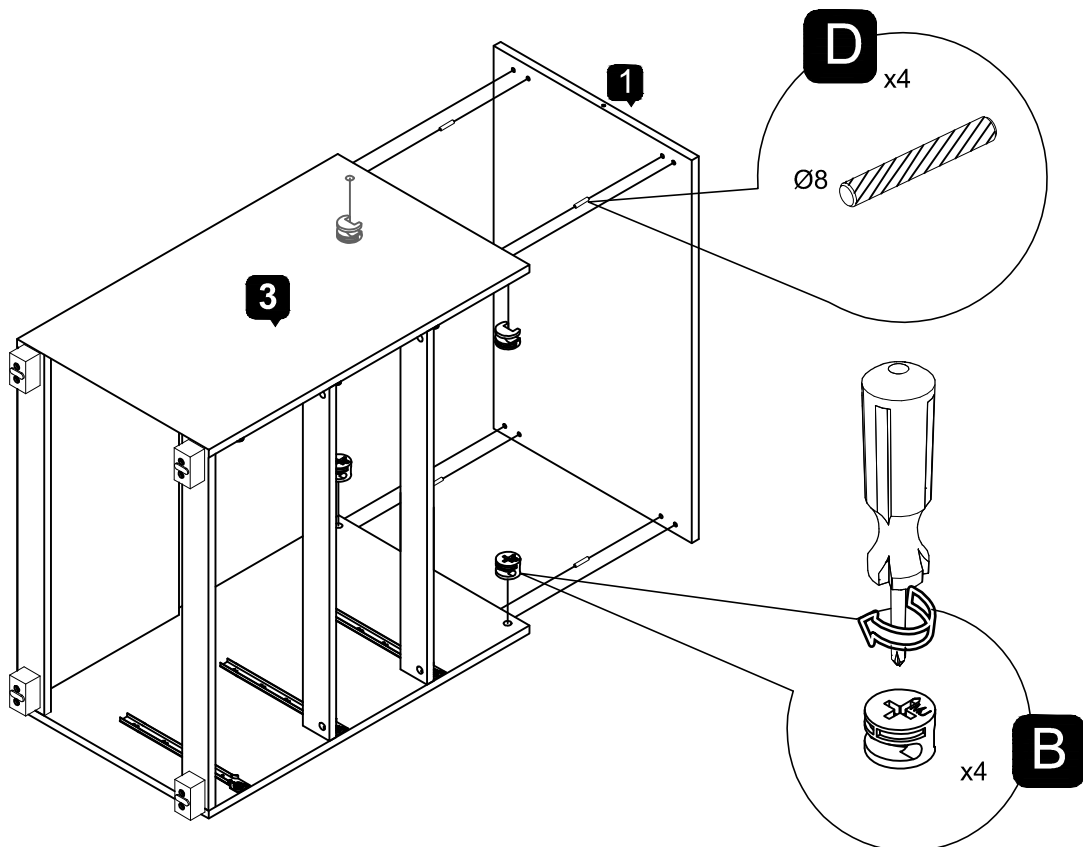
12



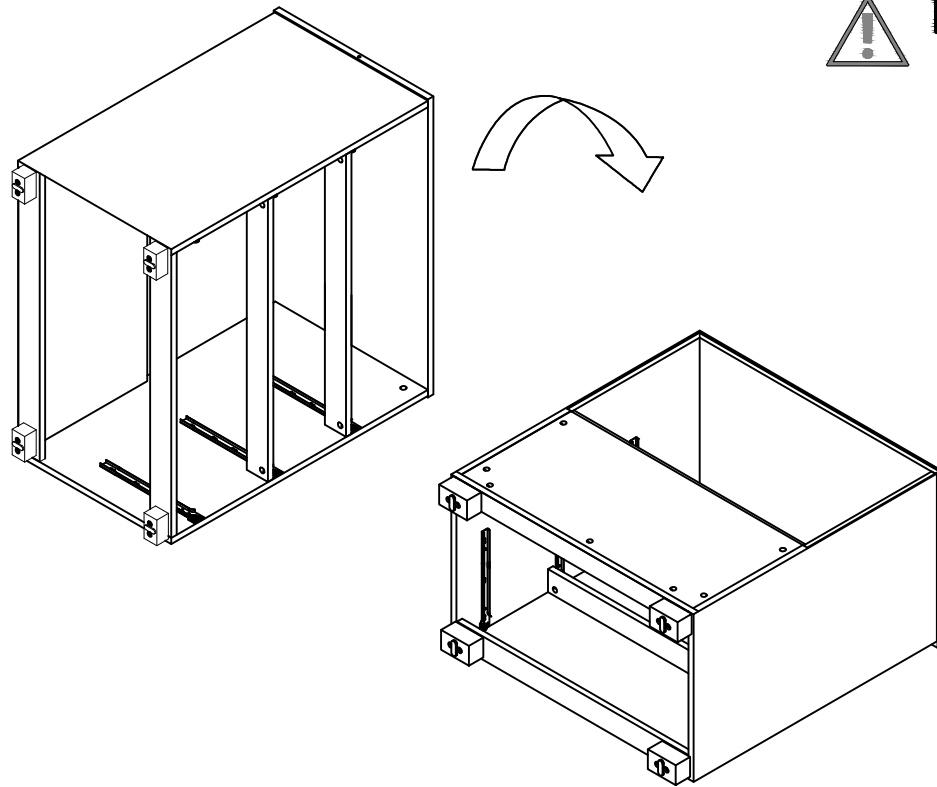
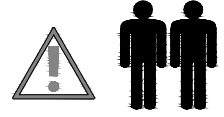
13



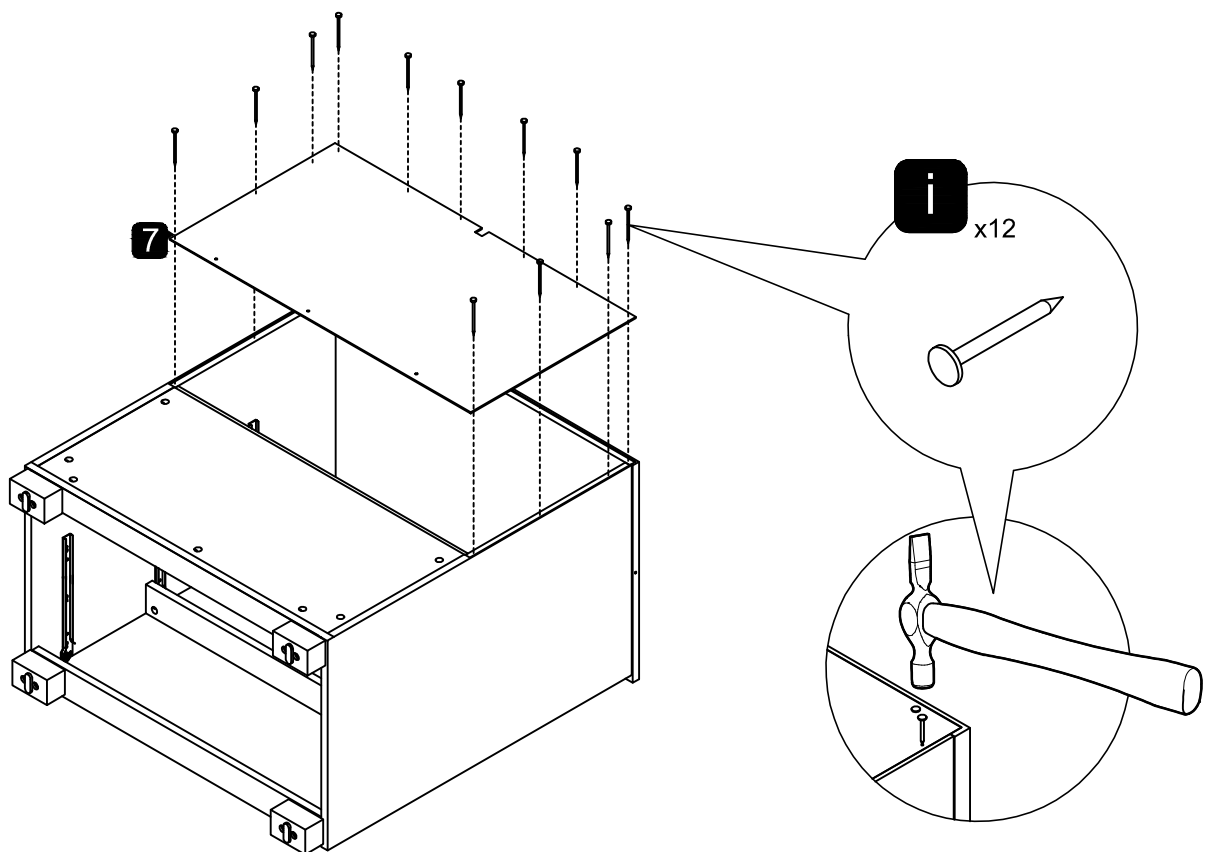
14



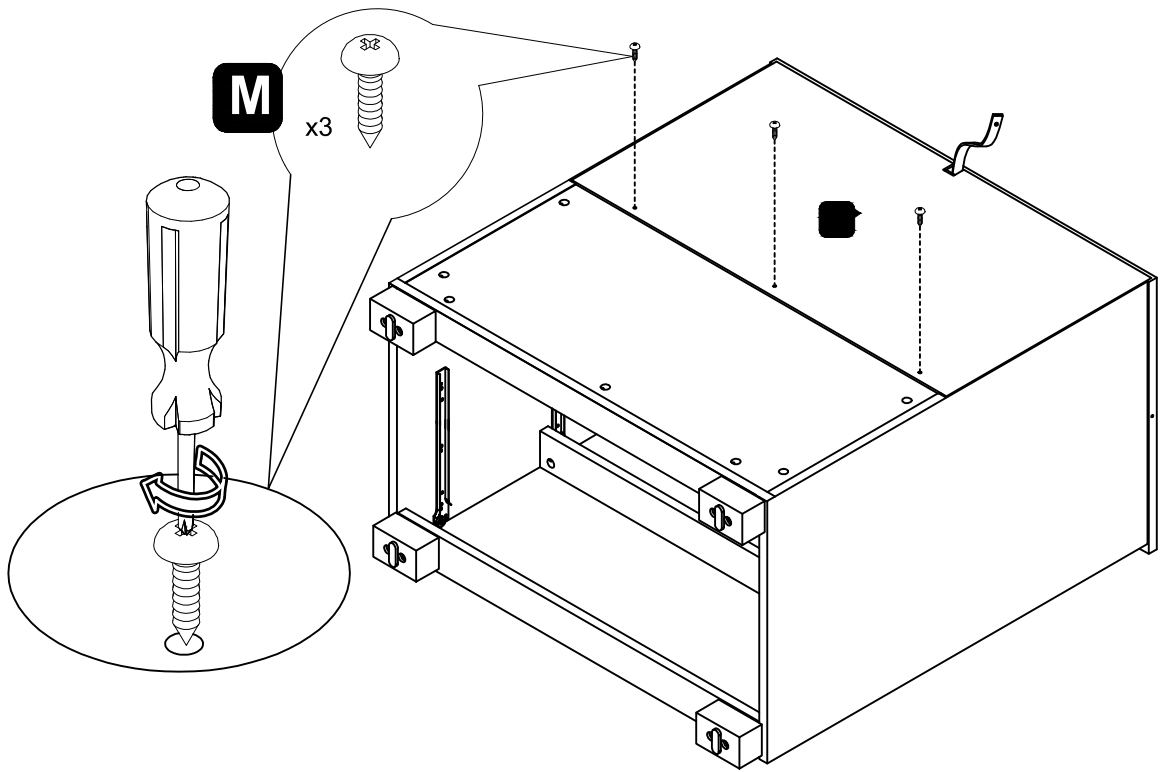
15



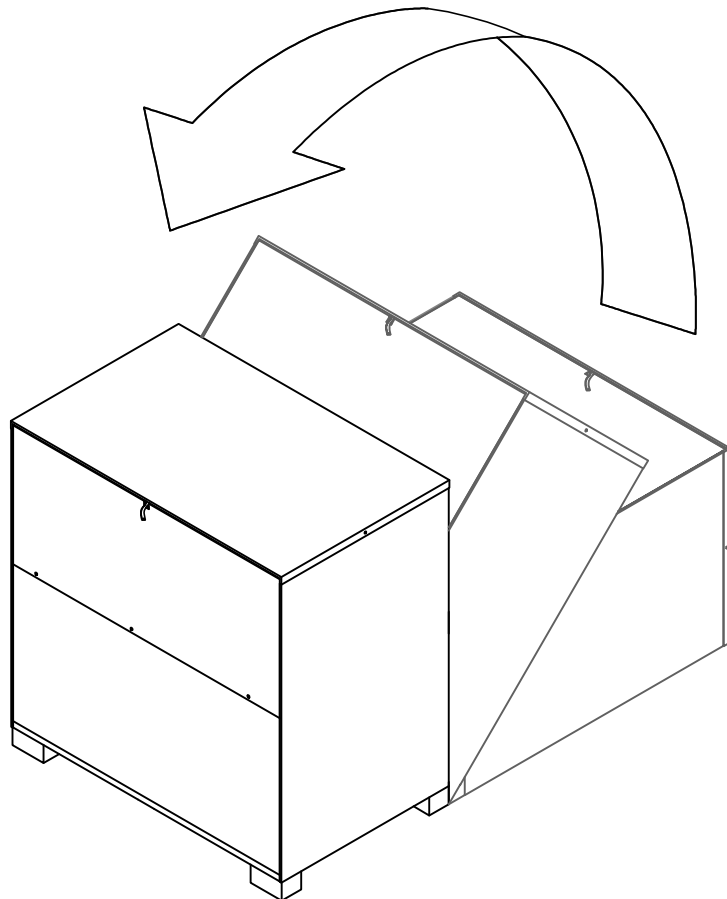
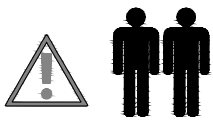
16



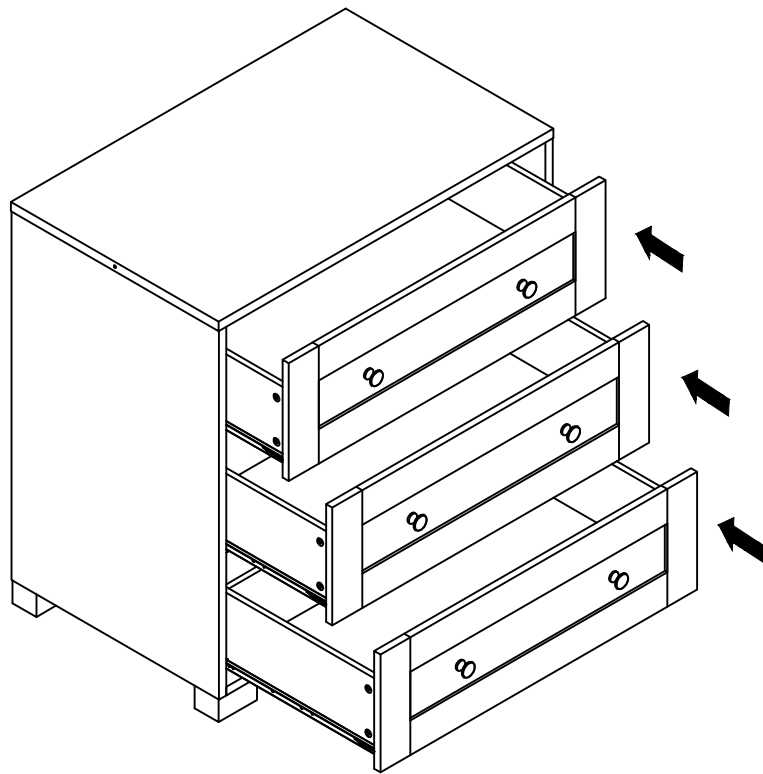
17



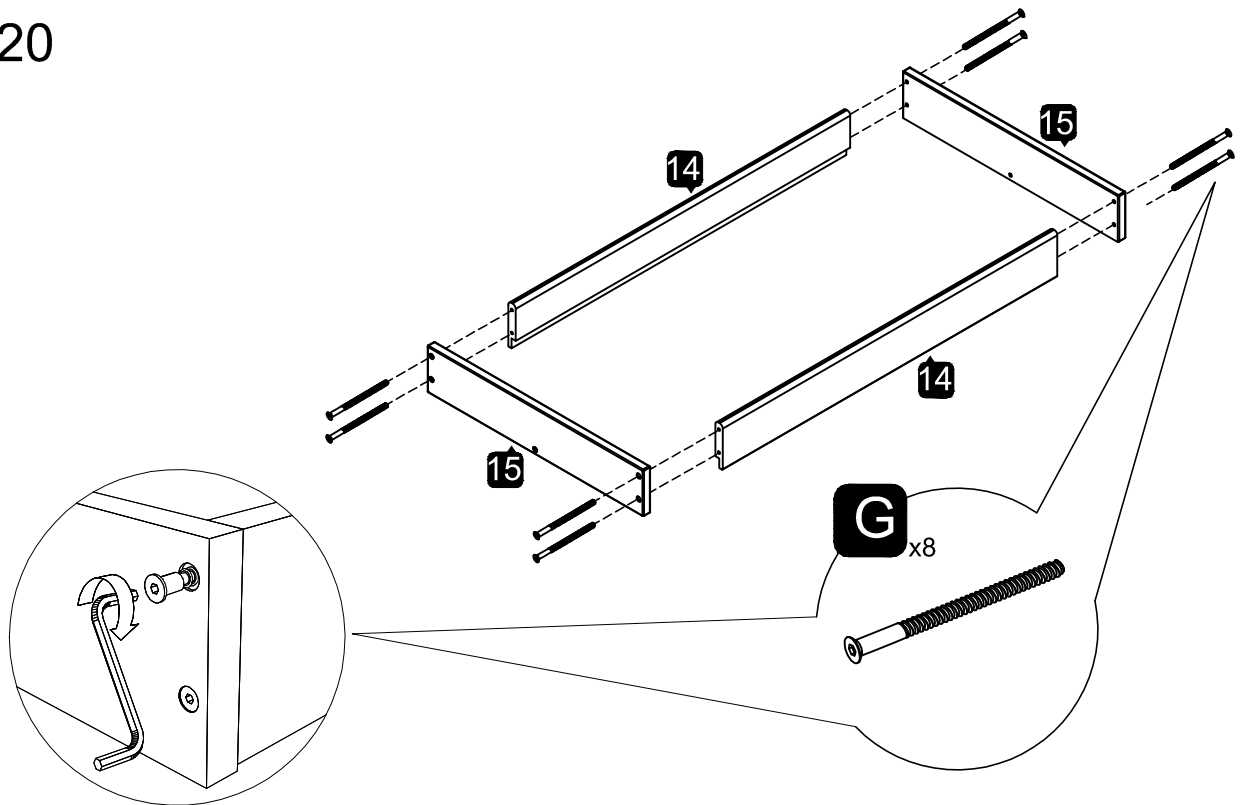
18



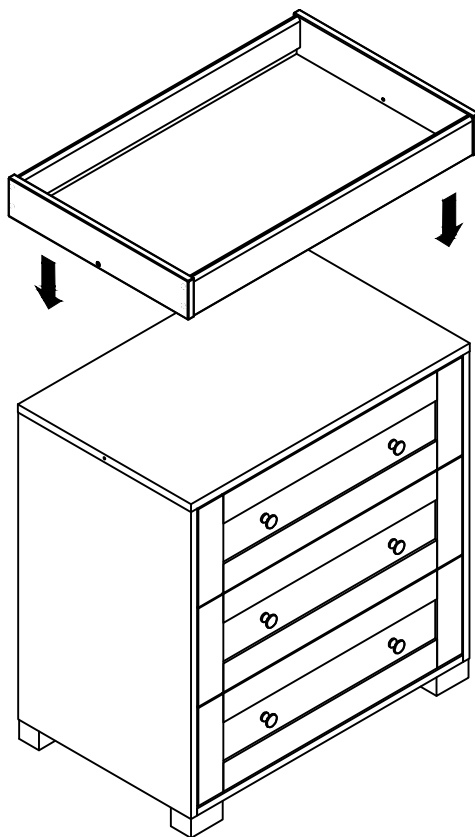
19



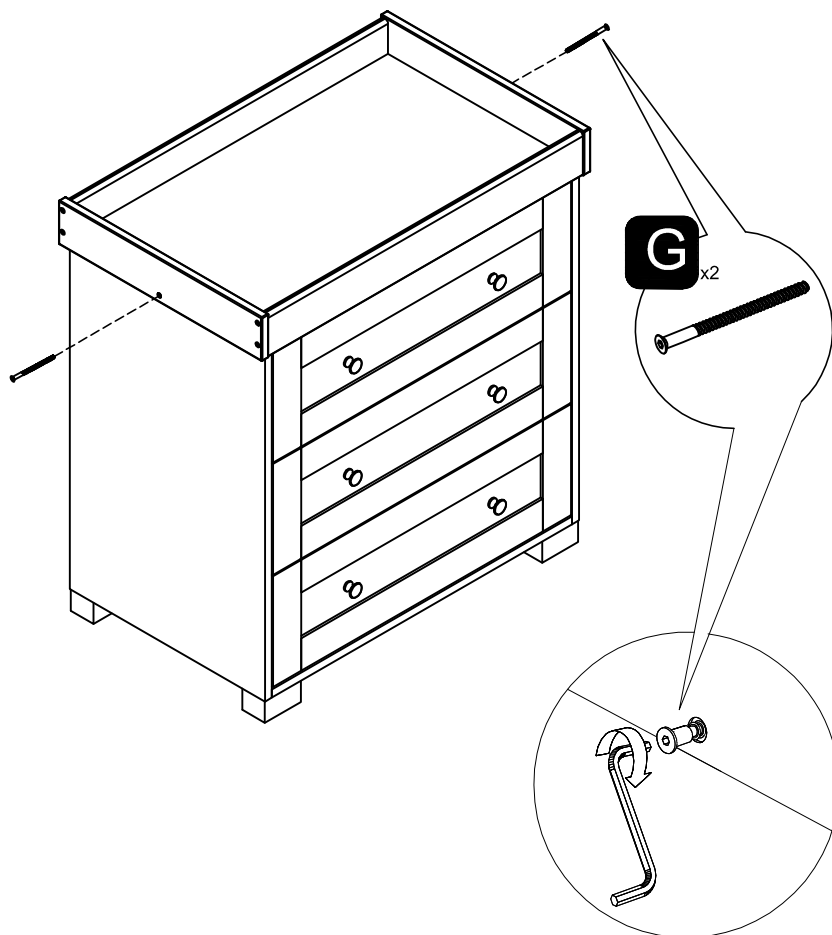
20

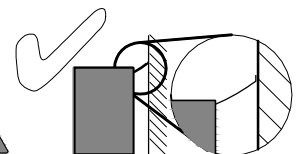
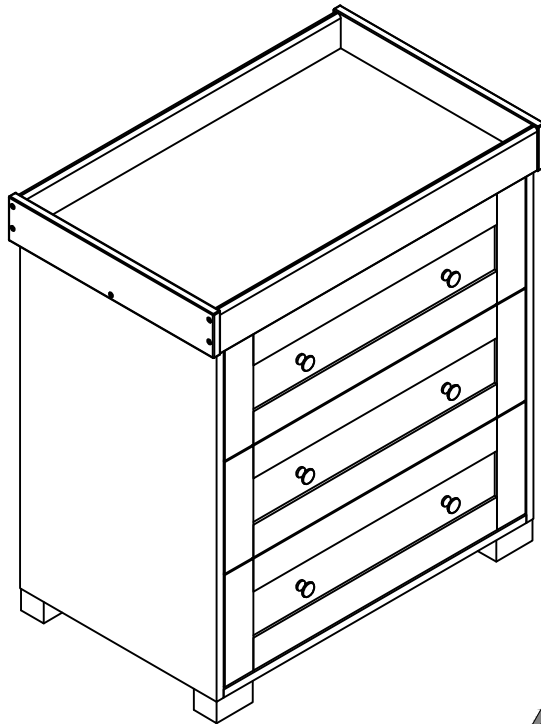
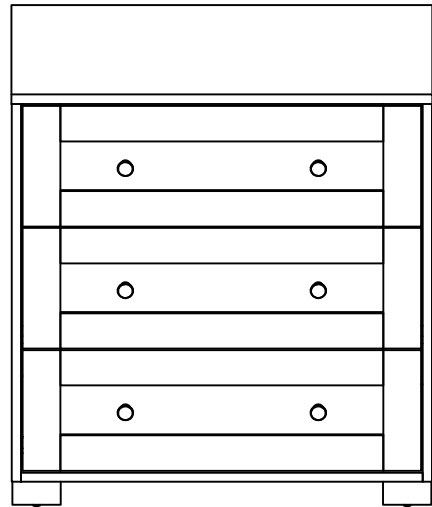
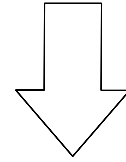
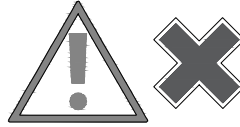
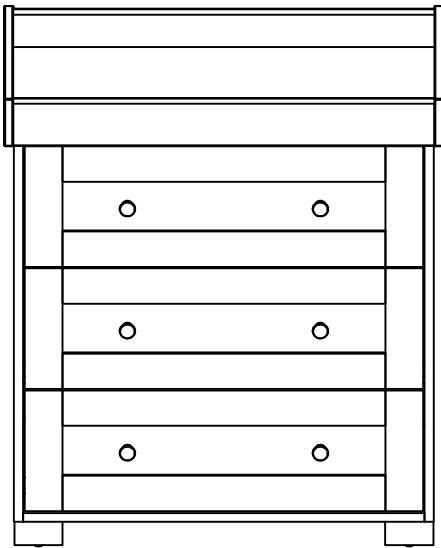
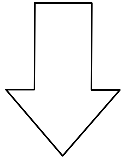
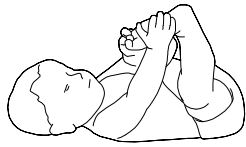


21



22





Finished

Concluido

Fini

Fertig

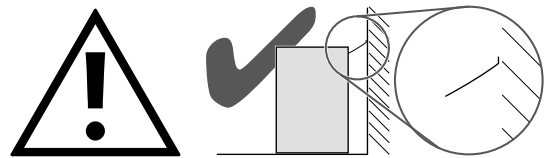
Finito

Voltooid

UK

WALL STRAP INFORMATION

- The wall strap is only intended to be used with the Mamas & Papas product that it is supplied with.
- Never attempt to modify or change the wall attachment strap in any way. Never use any other fittings for attaching the strap to your furniture than those supplied.
- Never use the screw provided to attach the strap to the wall. No wall attachment fittings are supplied. This is because the type of fittings required to attach the strap to the chosen wall is determined by the composition of the wall. If you are in any doubt about the correct type of fittings to use, consult a professional before attempting to attach the strap to the wall.
- The wall strap must not be used to replace any other fitting supplied with your piece of furniture.
- Furniture falling over is generally due to the surface the furniture is placed on. A warped floor or wall-to-wall carpeting will enable the furniture to rock, so greatly increasing the potential for the furniture to fall. If the furniture is placed on a flat level wood or tiled floor the risk is reduced, but we still recommend the wall strap is fitted.



UK

WARNING:

- DO NOT LEAVE THE CHILD UNATTENDED. The safety of your child is your responsibility
 - Always use the wall strap to prevent children tipping furniture over
 - This product is intended for children from birth up to 11kg (12 months approximately).
 - Check regularly that all the fittings and screws are correctly tightened and are not damaged. Loose screws can pinch parts of the body and clothing resulting in the risk of strangulation.
 - Do not use replacement parts that are not recommended or supplied by Mamas & Papas.
 - Be aware of the risk of open fire and other sources of strong heat, such as electric bar fires, gas fires, etc. in the near vicinity of the changing unit.
 - Always leave your product clean and dry. Wipe away any spillage straight away. Your product can be cleaned with a damp cloth. Never use harsh abrasives, bleach or strong detergents
 - Before use, ensure the dresser is on a stable, level surface.
 - Do not allow children to climb on the dresser.
 - Never use the dresser if any parts are broken or missing.
 - Never pivot or drag the dresser on its feet, the dresser must always be lifted by at least two people when moved.
 - A changing mattress is not supplied with this product. We recommend that you only use a Mamas & Papas changing mattress with your dresser. Lay the changing mattress on the changing surface, within the retaining rails.
 - The dresser changer must be fixed to the wall for safe use and the fastenings used should be appropriate to the wall.
 - Maximum weight of the child: 11kg
-
- This product conforms to BS EN 12221:2008.

