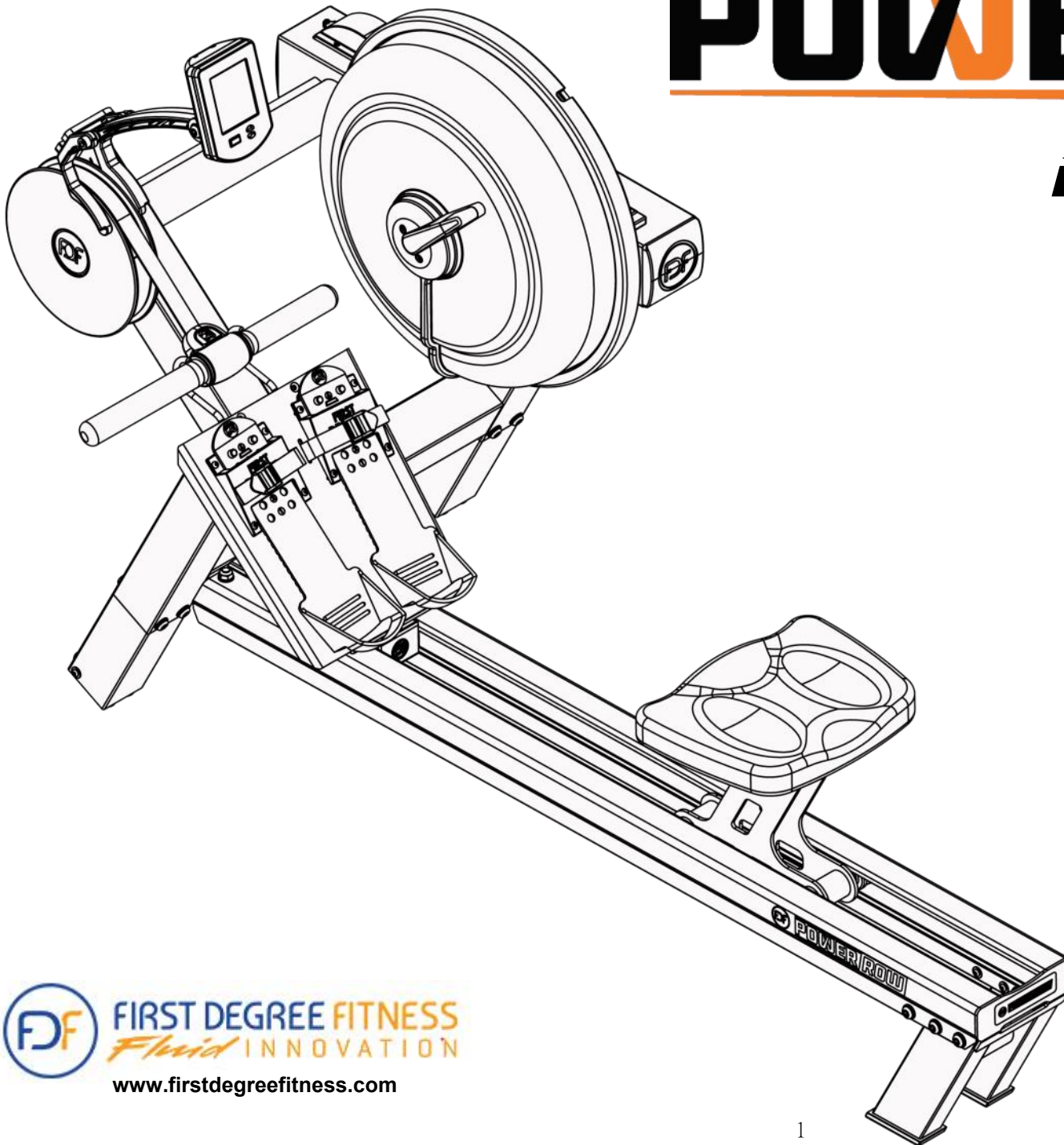
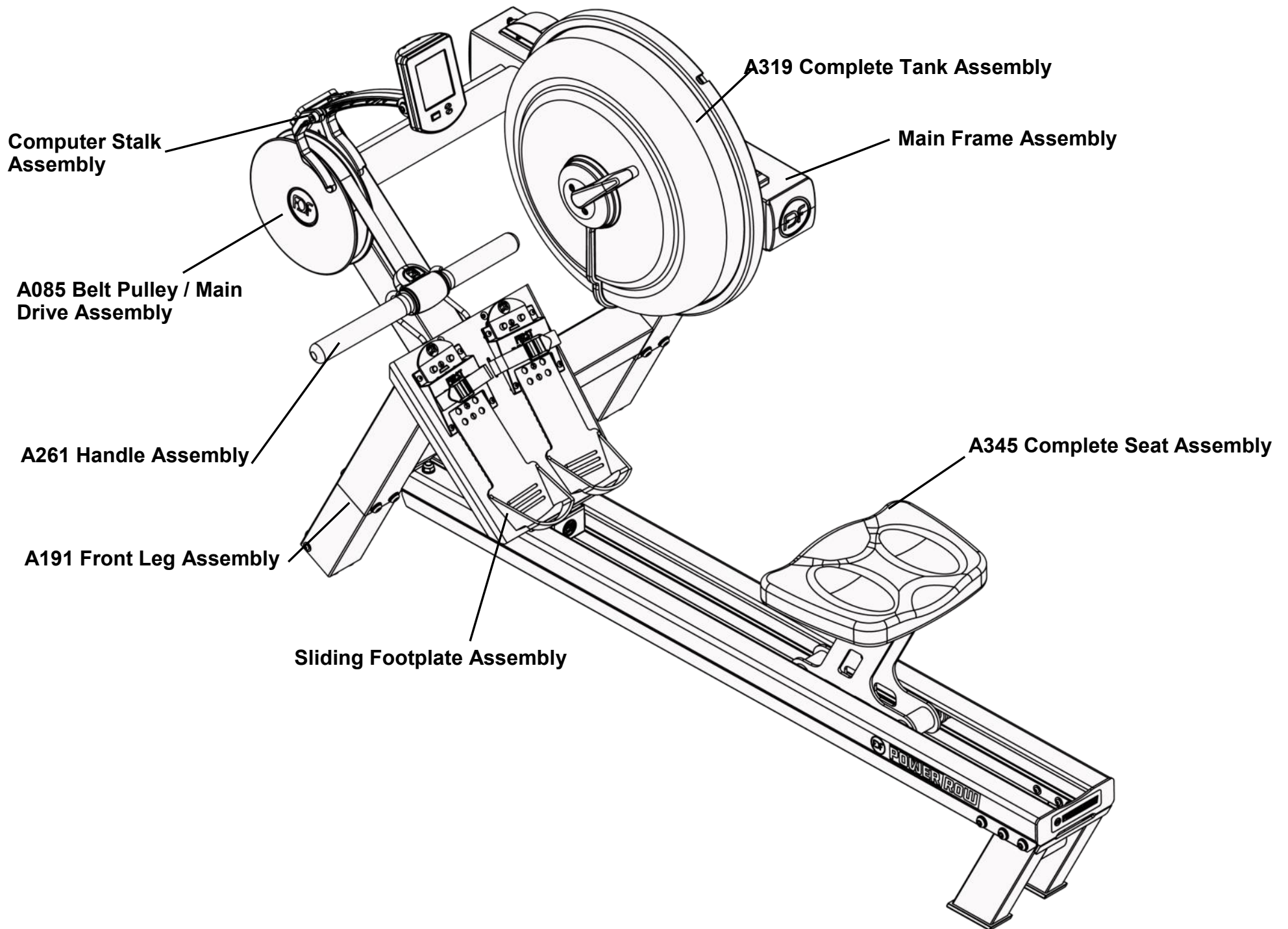


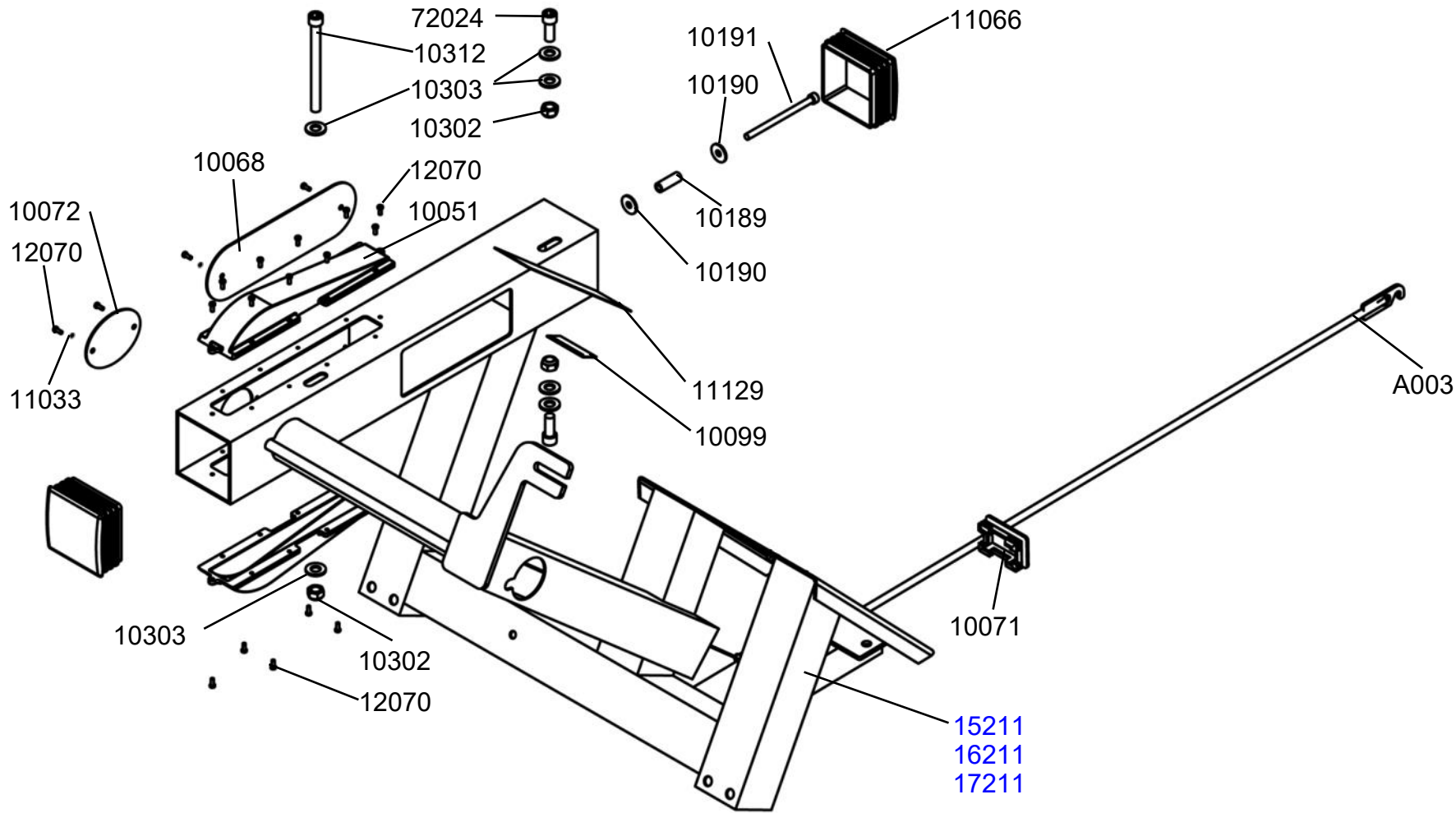
# POWERROW

## *Exploded Diagram*



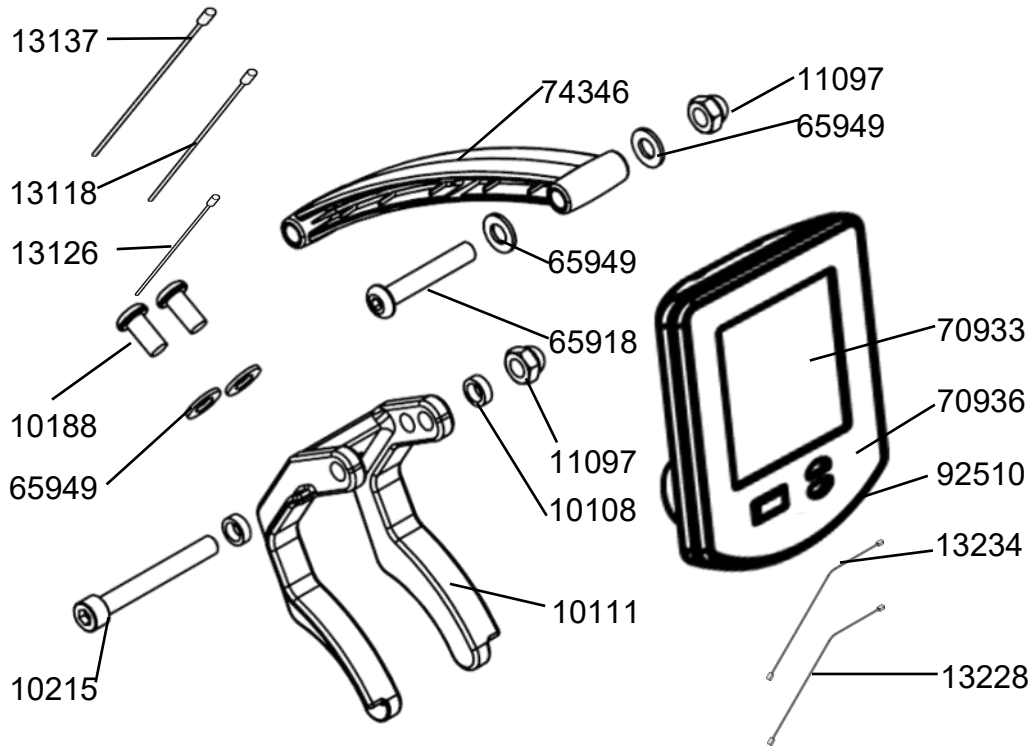


# Main Frame Assembly



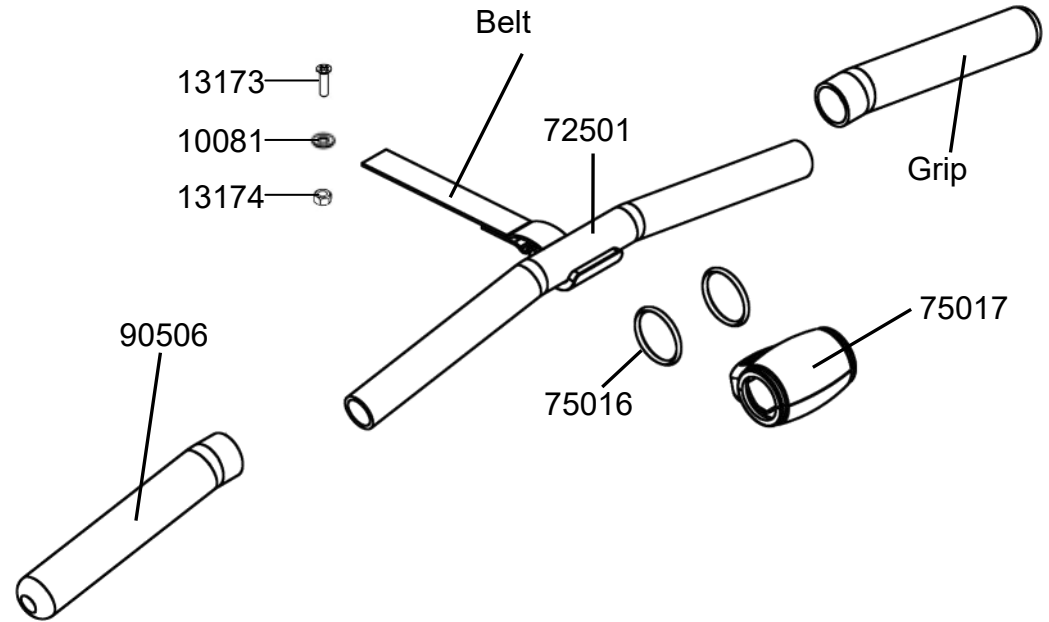
10051	2	Rubber Cover for Large PK Pulley	10312	1	Hex Head Bolt M12x150 - B
10068	1	Large Steel Side Cover 276mm	11033	4	Washer M4.2x10x1t - B
10071	1	End Cap Rubber 75x50mm	11066	2	End Cap 100x100mm
10072	1	Small Steel Side Cover 100mm	12070	24	Round Head Phillips Screw M4x10 - B
10189	1	Tank Tension Adjustment Bushing	15211	1	Main Frame Complete with Decal #10240 &11129 - Orange
10190	2	Washer M8x26x2	16211	1	Main Frame Complete with Decal #10240 &11129 - Gray
10191	1	Hex Head Bolt M8x120	17211	1	Main Frame Complete with Decal #10240 &11129 - Red
10302	3	Nyloc Nut M12 - B	72024	2	Hex Head Bolt M12x35 - B
10303	6	Washer M13x24x2t - B			

# Computer Stalk Assembly



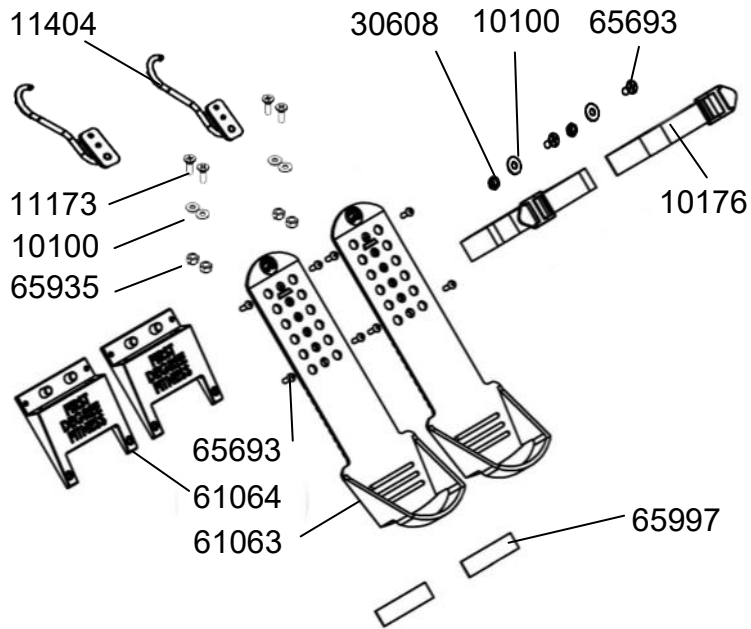
10108	2	Spacer for Computer Mount
10111	1	Belt Guard Aluminum
10188	2	Dome Head Bolt M10x20 - B
10215	1	Hex Head Bolt M10x80 - B
11097	2	Nut Dome Head M10 - B
13118	1	Heart Rate Wiring 1150mm-Upper
13126	1	Computer Wiring 600mm
13137	1	Computer Wiring 1200mm
13228	1	Level Wiring 1200mm
13234	1	Computer Wiring 600mm
65918	1	Dome Head Bolt M10x60 - B
65949	4	Washer M10x21x2 - B
70933	1	LCD for Auto Level
70936	1	Mambrane for Power Zone
74346	1	Computer Stalk
92510	1	L10 Computer - Power Row

# A261 Handle Assembly



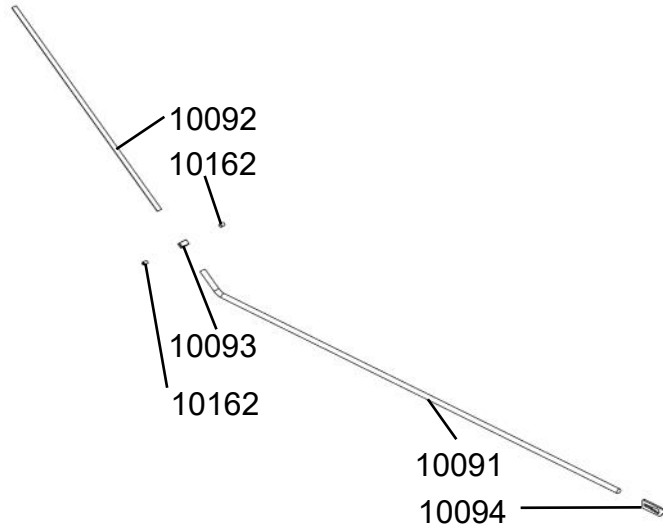
10081	1	Washer M6x16x1
13173	1	Counter Sunk Bolt M5x25
13174	1	Nyloc Nut M5
72501	1	Rower Handle & Belt 2000mm & Grips #90506x2
75016	2	O-Ring for Handle
75017	1	Rubber Cover

# Sliding Footplate Assembly



10100	6	Washer M6x16x1 - B
10176	2	Foot Strap & Buckle
11173	4	Counter Sunk Bolt M6x15 - B
11404	2	Bar Catch - 520
30608	2	Nyloc Nut M5 - B
61063	2	Footplate Slider with Velcro #65997
61064	2	Footplate Slider Base 120x111x22.8
65693	10	Dome Head Bolt M5x15 - B
65935	4	Nyloc Nut M6 - B
65997	2	Velcro For Sliding Footplate

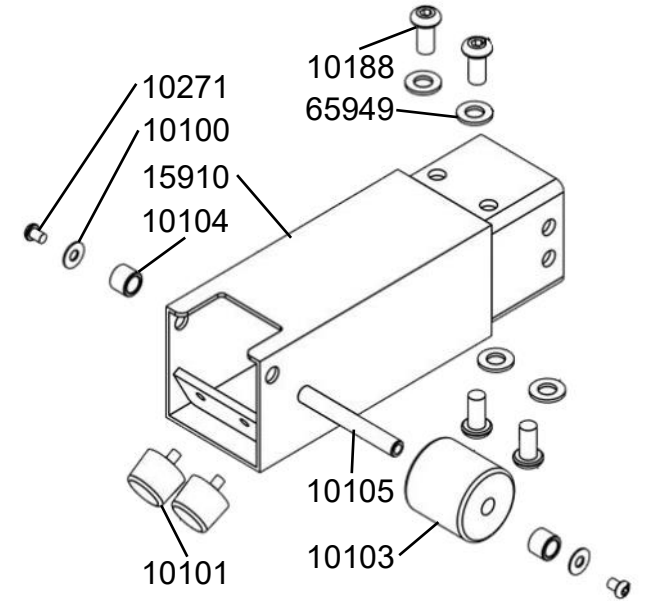
# A003 Bungee Assembly



Note to Distributor/Retailer: The parts listed here are not sold separately.

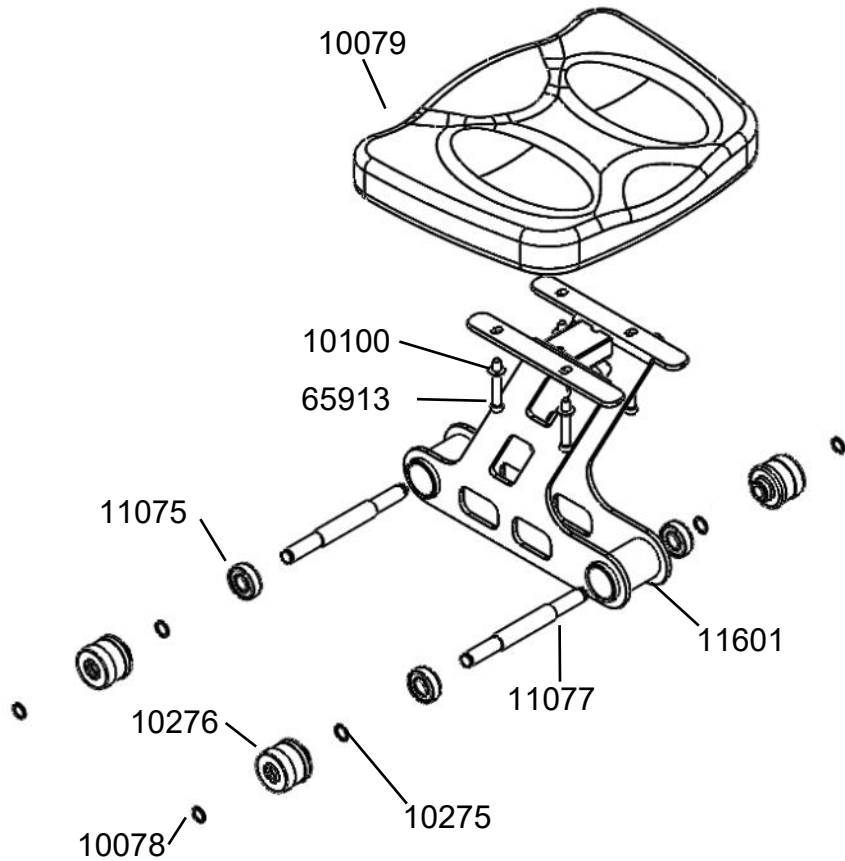
10091	1	Bungee 10mm
10092	1	Belt
10093	1	Shock Cord Joiner
10094	1	Bungee End Hook
10162	2	Grub Screw M8x10

# A191 Front Leg Assembly



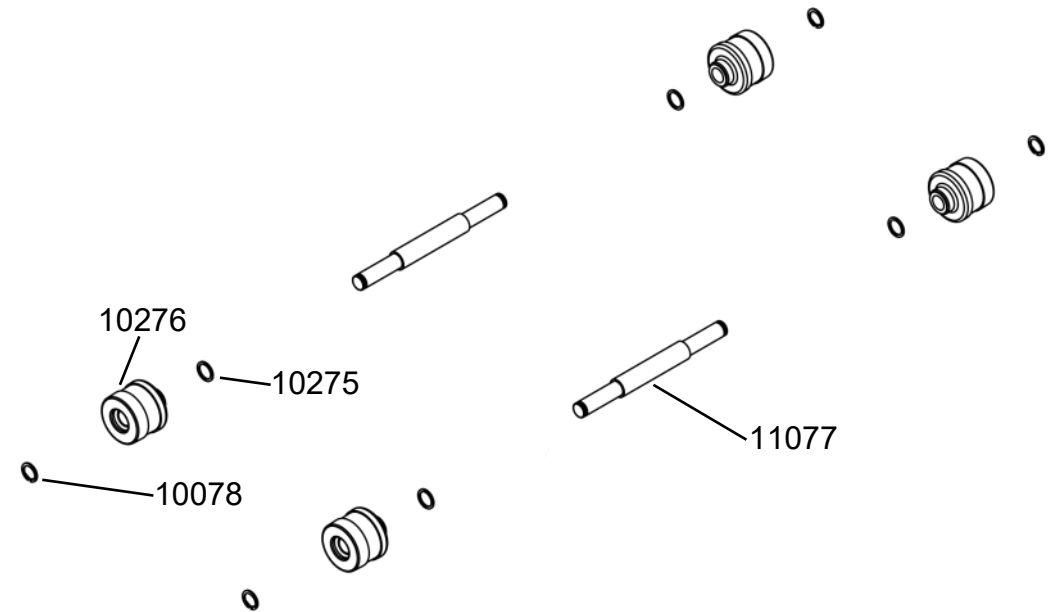
10100	2	Washer M6x16x1 - B
10101	2	Rubber Bumper TT500
10103	1	Transport Wheel
10104	2	Plastic Spacer 15x10.1x12
10105	1	Shaft
10188	4	Dome Head Bolt M10x20 - B
10271	2	Dome Head Bolt M6x8 - B
15910	1	Front Leg - Power Row
65949	4	Washer M10x21x2 - B

# A345 Complete Seat Assembly



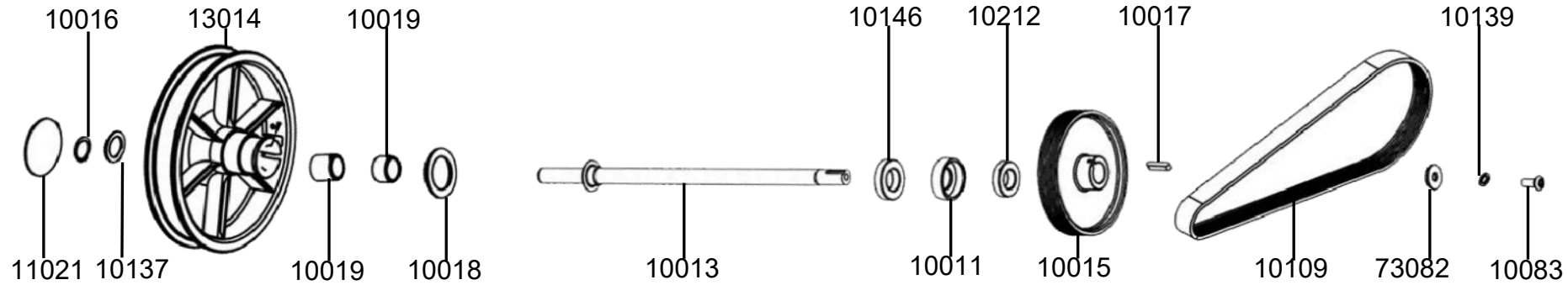
10078	4	C Clip ISTW-12
10079	1	Seat LS-E28
10100	4	Washer M6
10275	4	Seat Spacer
10276	4	Seat Wheel
11075	4	Bearing Seat Frame
11077	2	Axle Shaft
11601	1	Seat Frame
65913	4	Bolt M6x20mm

# A301 Seat Wheel Kit E316/E520/S6



10078	4	C Clip ISTW-12
10275	4	Seat Spacer
10276	4	Seat Wheel
11077	2	Axle Shaft

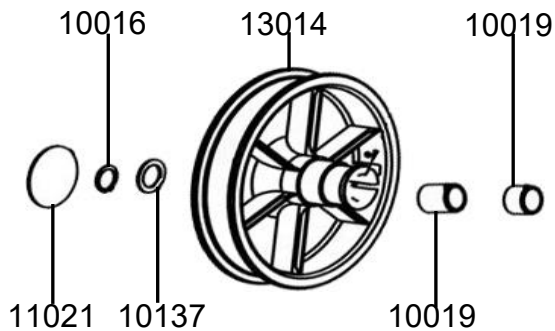
## A085 Belt Pulley/Main Drive Assembly E520/VX3



10011	1	Bearing Housing on Pulley Shaft with Bearing #10212
10013	1	Main Pulley Shaft & Shaft Sleeve Bearing Mount
10015	1	Large PK Transmission Pulley 150mm
10016	1	C Clip STW-25
10017	1	Key Way 7x7x32
10018	1	Nylon Pulley Spacer 60x40x6.5
10083	1	Dome Head Bolt M10x20
10109	1	PK Belt 7 Rib 926mm Hutchinson

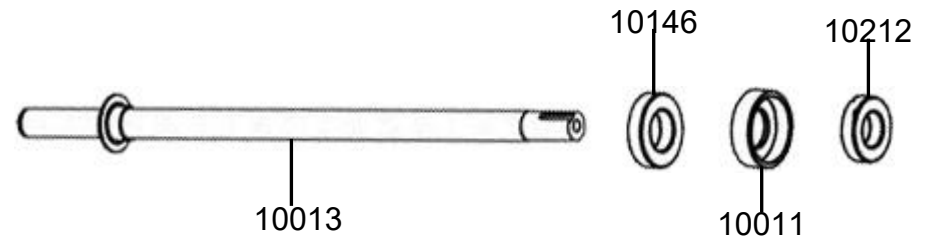
10137	1	Belt Pulley Spacer 38.1x25.7x2t
10139	1	Spring Washer M10
10146	1	Ball Bearing NSK6006ZZ
11021	1	Decal - Belt Pulley
13014	1	Belt Pulley & 2 x INA One Way Bearings #10019
73082	1	Washer 30*10.2*3t SUS

## A002 ABS Belt Pulley Assembly E520/VX3



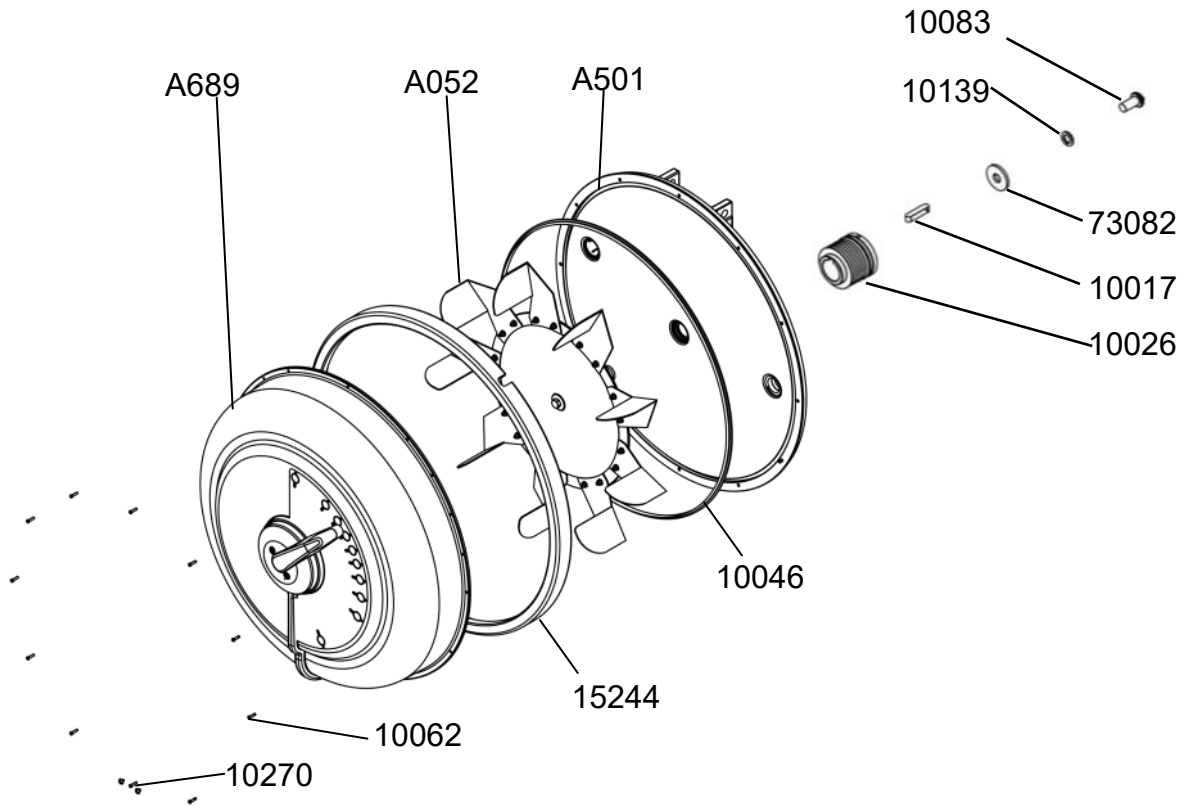
10016	1	C Clip STW-25
10137	1	Belt Pulley Spacer 38.1x25.7x2t
11021	1	Decal - Belt Pulley
13014	1	Belt Pulley & 2 x INA One Way Bearings #10019

## A017 Main Pulley Shaft Kit



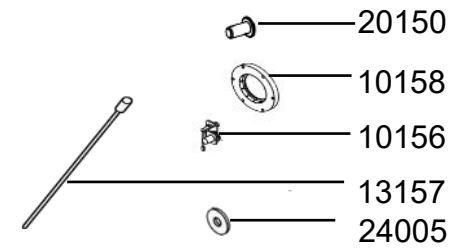
10011	1	Bearing Housing on Pulley Shaft with Bearing #10212
10013	1	Main Pulley Shaft & Shaft Sleeve Bearing Mount
10146	1	Ball Bearing NSK6006ZZ

# A260 Complete Tank Assembly



A052	1	Flywheel Assembly
A501	1	Tank Back Kit - Black
A689	1	Tank Cover Assembly
10017	1	Key Way 7x7x32
10026	1	Small 5PK Transmission Pulley 50mm
10046	1	Tank Large Seal
10062	12	Round Head Phillips Screw M3x12 SUS
10083	1	Dome Head Bolt M10x20
10139	1	Spring Washer M10
10270	2	Round Head Phillips Screw M4x8 SUS
15244	1	Tank Outer Cover Ring - Black
73082	1	Washer 30*10.2*3t SUS

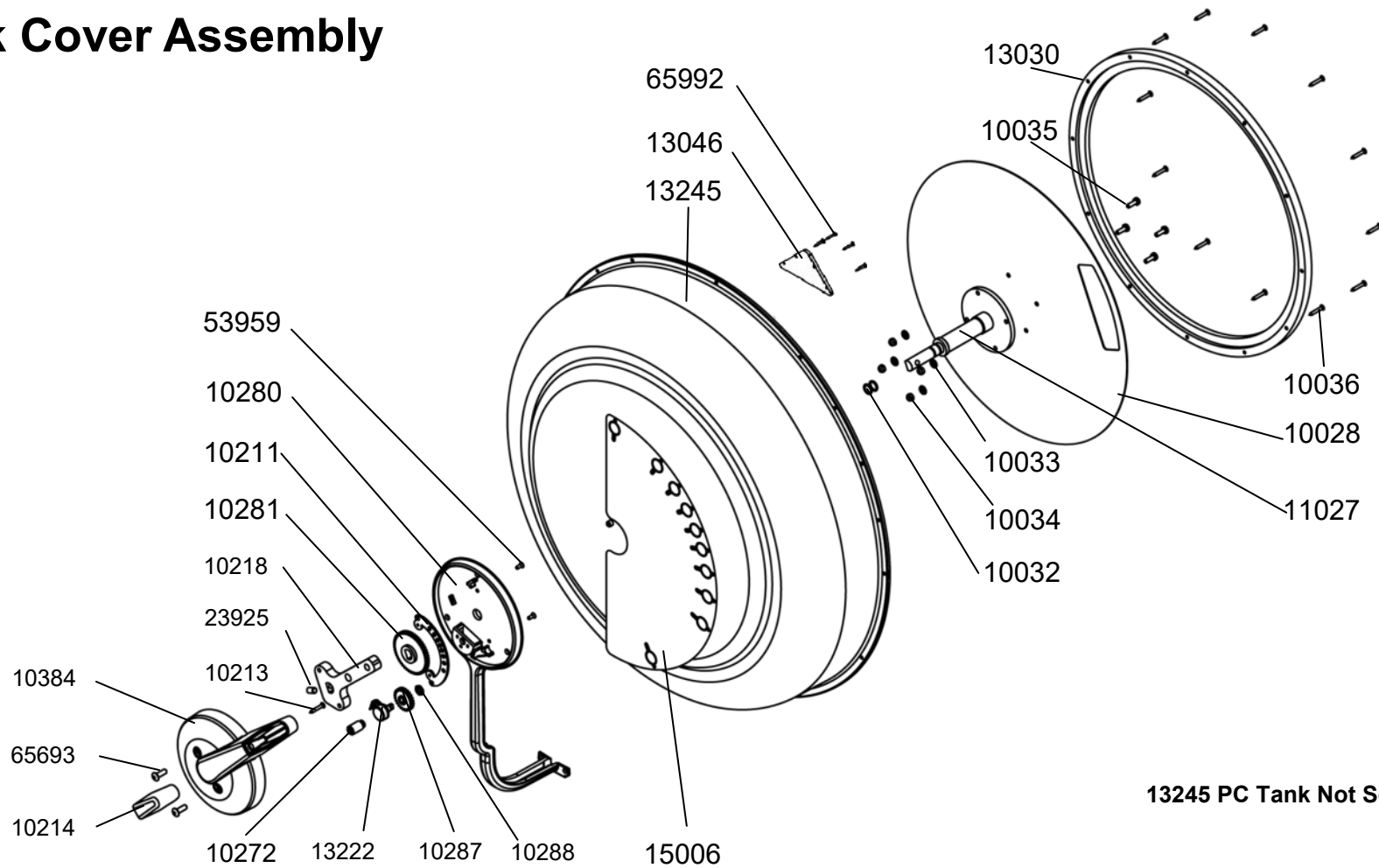
# A006 Sensor Kit



10156	1	Sensor mounting bracket
10158	1	Magnetic Ring & 6x Rare Earth Magnet 4mm #10057
13157	1	Speed Sensor 300mm
20150	1	M10x15 sensor bracket bolt
24005	1	Washer M11x22x1t SUS



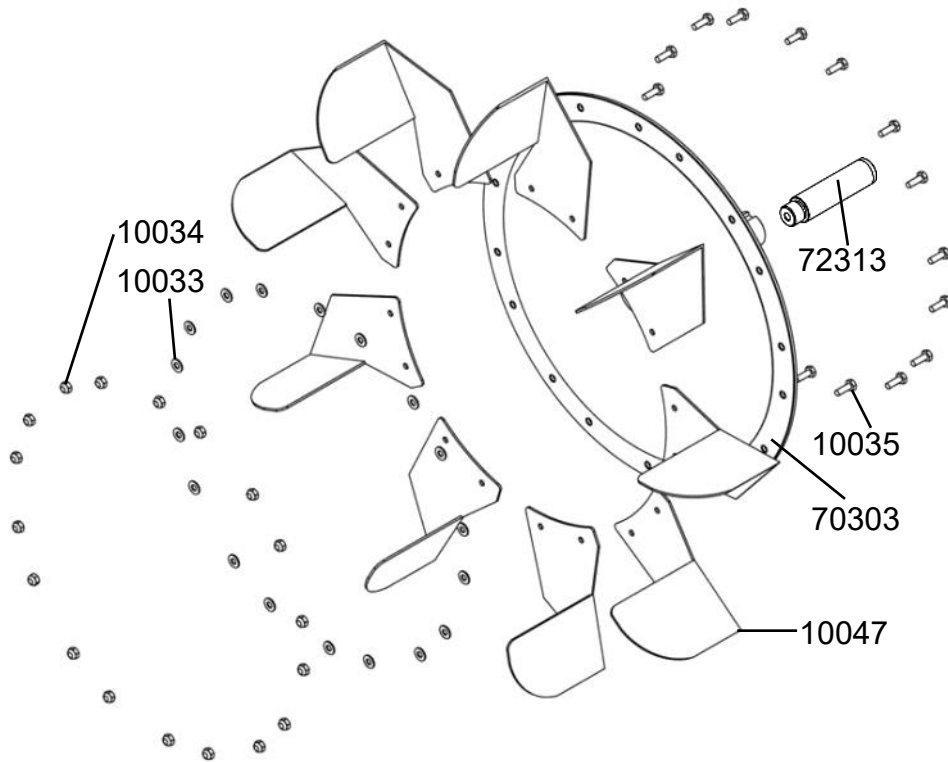
# A689 Tank Cover Assembly



**13245 PC Tank Not Sold Separately**

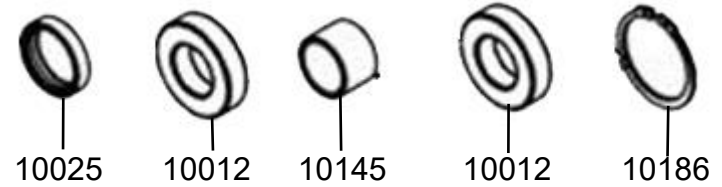
10028	1	Backing Plate 0.8mm SUS	10281	1	Gear M1T48
10032	2	Nylon Resistance Adjuster O Ring 12x9x1.5	10384	1	Adjuster Knob Set Gary incl. Cap #10214 & Screw #10213 & Ball Plunger #10272
10033	4	Washer 10x4.2x1 SUS	11027	1	Adjuster Handle Shaft
10034	4	Nut M4 SUS	13030	1	Adjuster PP Tank Ring 358x10
10035	4	Hex Bolt M4 SUS	13245	1	PC Tank Cover with Decal #15006 & Triangle plate #13046 & Bolts #65992
10036	12	Flat Tapping Screw M3x20 SUS	23925	1	Grub Screw M6x10
10211	1	Locating Plate	53959	2	Counter Sunk Bolt M3x8 -SUS
10218	1	Adjuster Handle	65693	2	Dome Head Bolt M5x15 - B
10280	1	Lever Base incl. Potentiometer, #13222 Gear #10287 & Nut #10288			

# A052 Flywheel Assembly



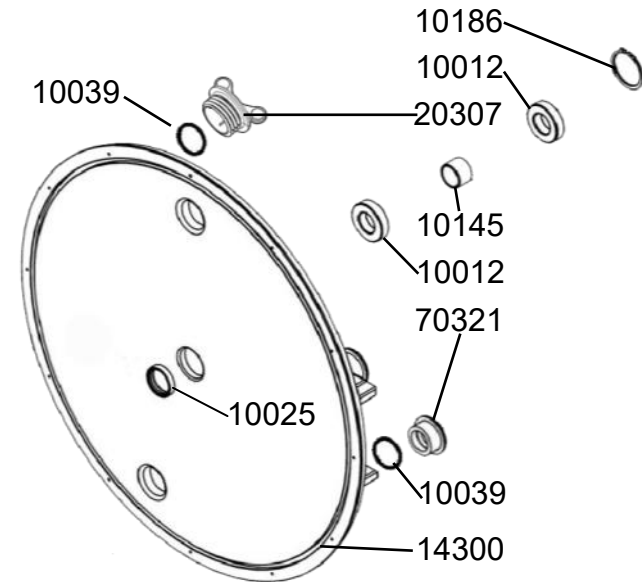
10033	18	Washer 10x4.2x1 SUS
10034	18	Nut M4 SUS
10035	18	Hex Bolt M4 SUS
10047	9	Impeller Blade
70303	1	Flywheel E316/VX2/E520/VX3
72313	1	Impeller Shaft E520/VX3

# A012 Tank Bearing & Seal Kit



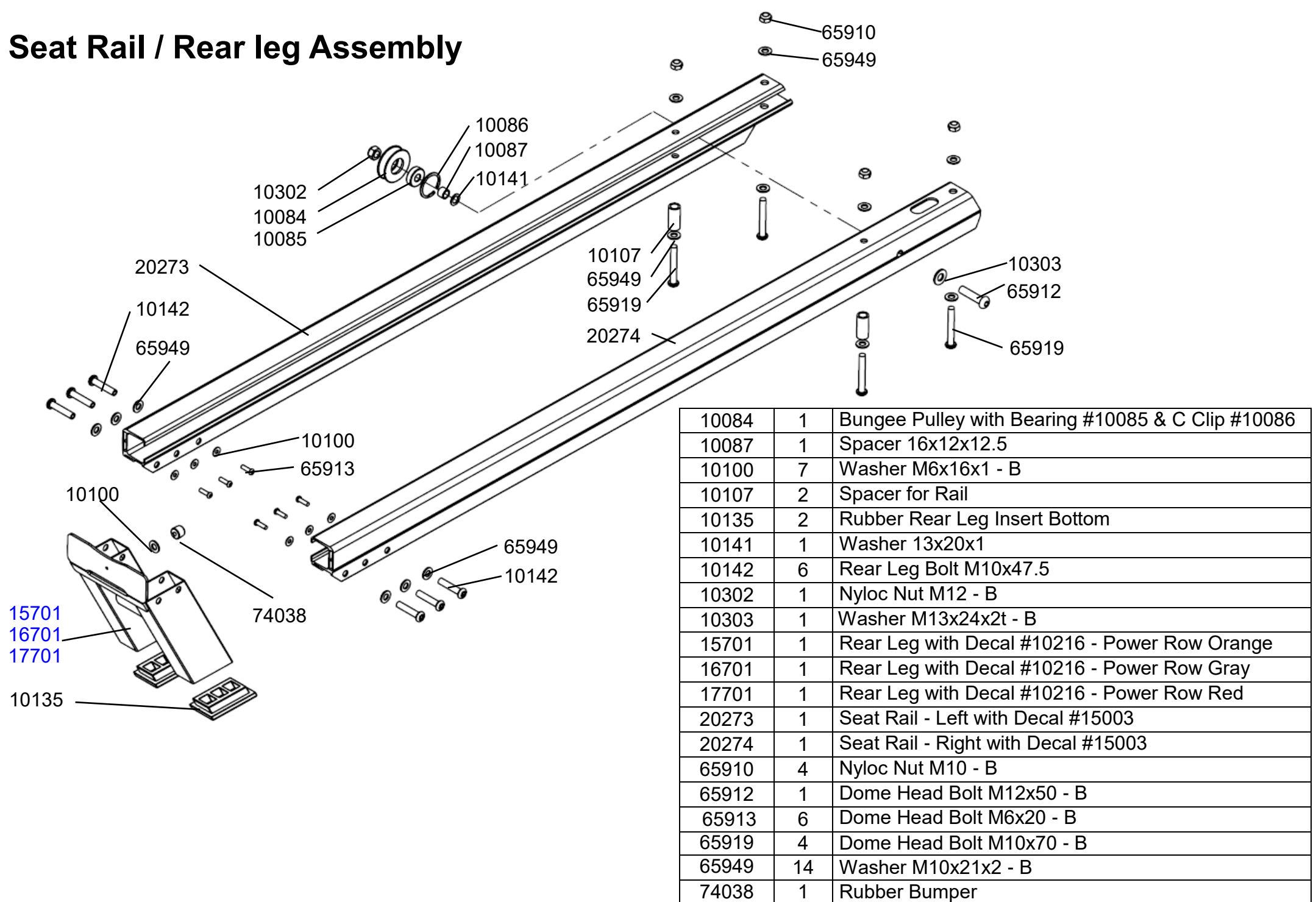
10012	2	Bearing NSK6005ZZ
10025	1	Seal NBR 37x30x8t for Flywheel Shaft
10145	1	Bearing Spacer 30x25.1x20.5mm
10186	1	C Clip RTW-48

# A501 Tank Back Kit - Black



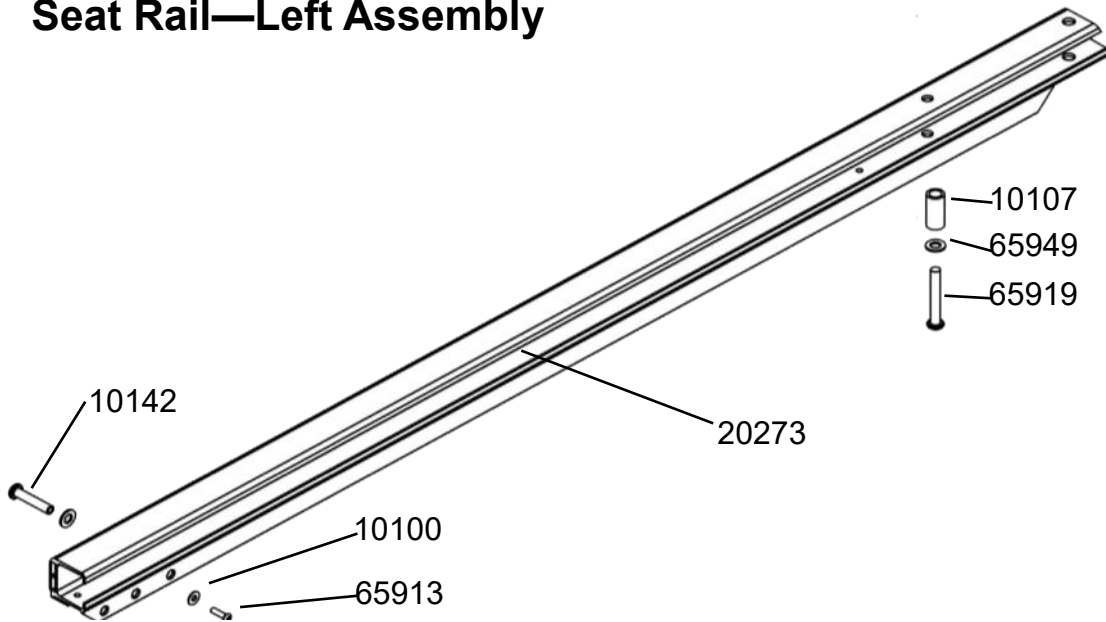
10012	2	Bearing NSK6005ZZ
10025	1	Seal NBR 37x30x8t for Flywheel Shaft
10145	1	Bearing Spacer 30x25.1x20.5mm
10186	1	C Clip RTW-48
14300	1	Tank Back - Black
20307	1	Tank Plug Black with O-ring #10039
70321	1	Tank Plug Black with O Ring #10039

# Seat Rail / Rear leg Assembly

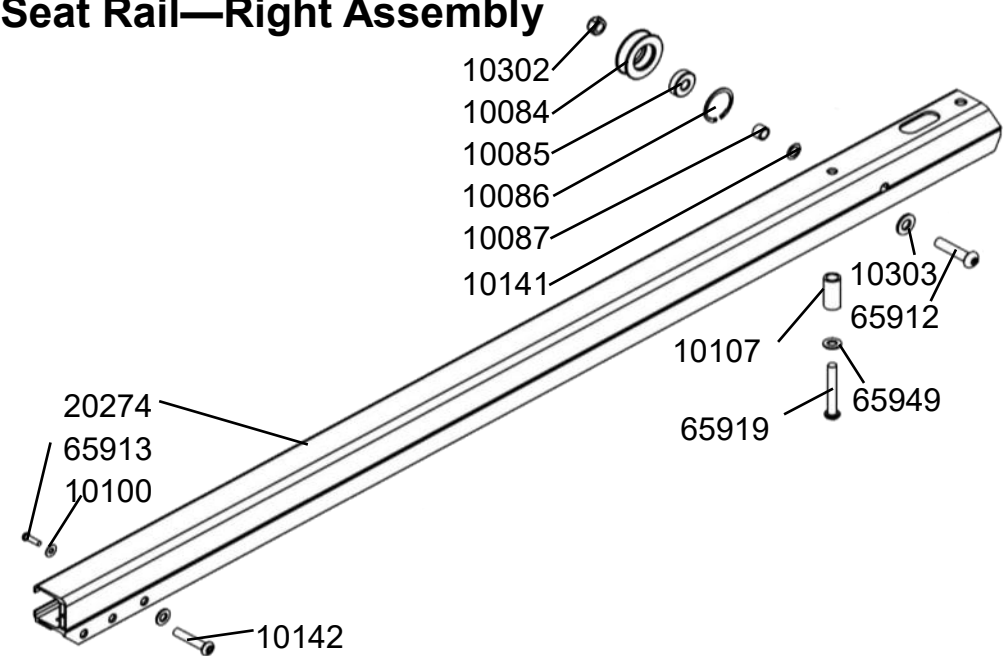


# A228 Seat Rail Set Complete - Black

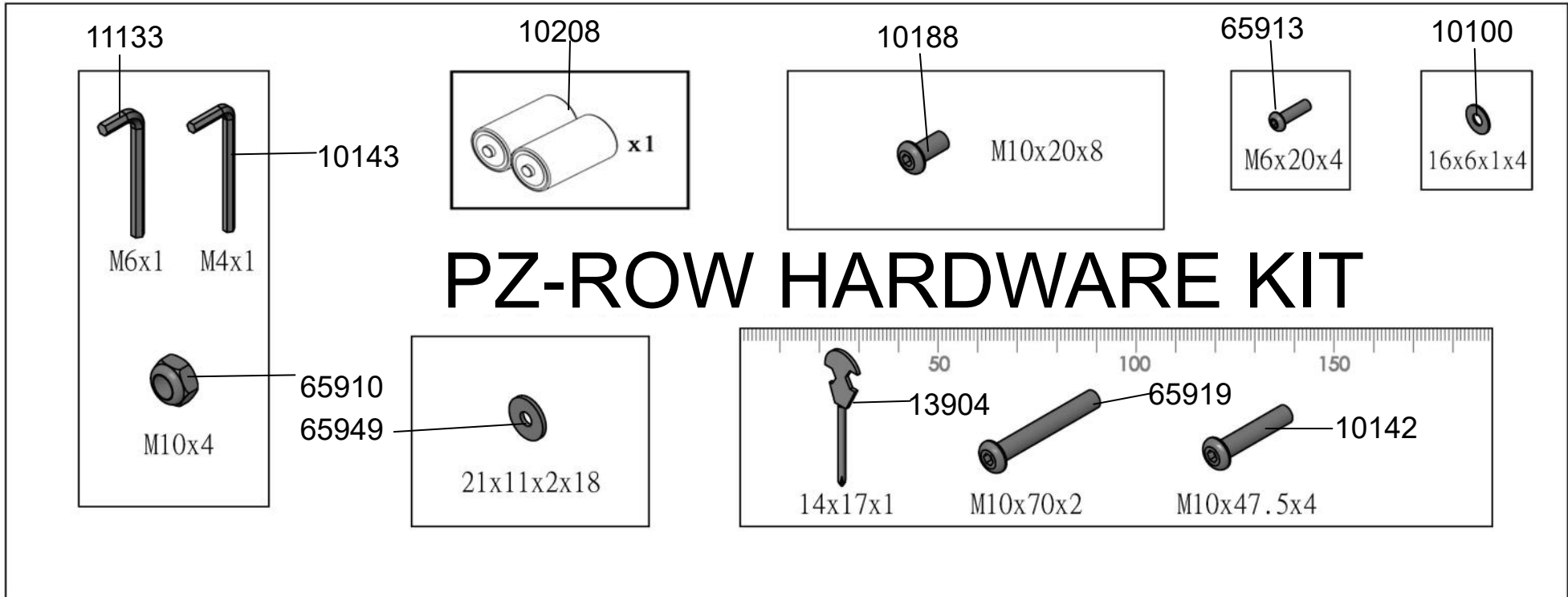
## Seat Rail—Left Assembly



## Seat Rail—Right Assembly



10084	1	Bungee Pulley with Bearing #10085& C Clip #10086
10087	1	Spacer 16x12x12.5
10100	2	Washer M6x16x1 - B
10107	2	Spacer for Rail
10141	1	Washer 13x20x1 - B
10142	2	Bolt M10x47.5mm - B
10302	1	Nyloc Nut M12 - B
10303	1	Washer M13x24x2t - B
20273	1	Seat Rail - Left With Decal <b>#15003</b>
20274	1	Seat Rail - Right With Decal <b>#15003</b>
65912	1	Dome Head Bolt M12x50 - B
65913	2	Dome Head Bolt M6x20 - B
65919	2	Dome Head Bolt M10x70 - B
65949	4	Washer M10x21x2 -B



10100	4	Washer M6 - B
10142	4	Rear Leg Bolt M10x47.5mm - B
10143	1	4mm Allen Key
10188	8	Bolt M10x20 - B
10208	1	D Cell Duracell Battery
11133	1	6mm Allen Key
13904	1	Multi-Tool
65910	4	Nyloc Nut M10 - B
65913	4	Bolt M6x20 - B
65919	2	Bolt M10x70 - B
65949	18	Washer M10 - B