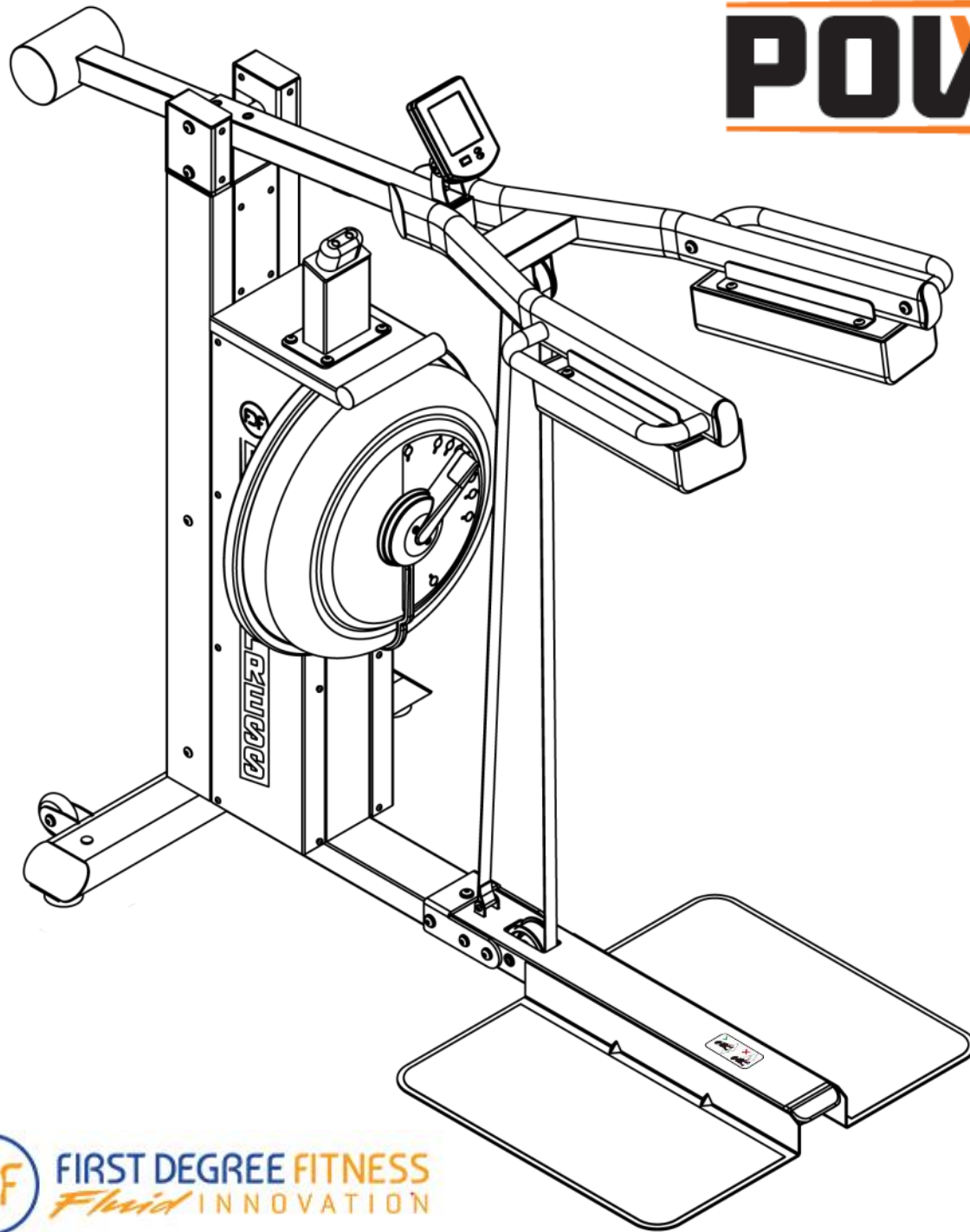
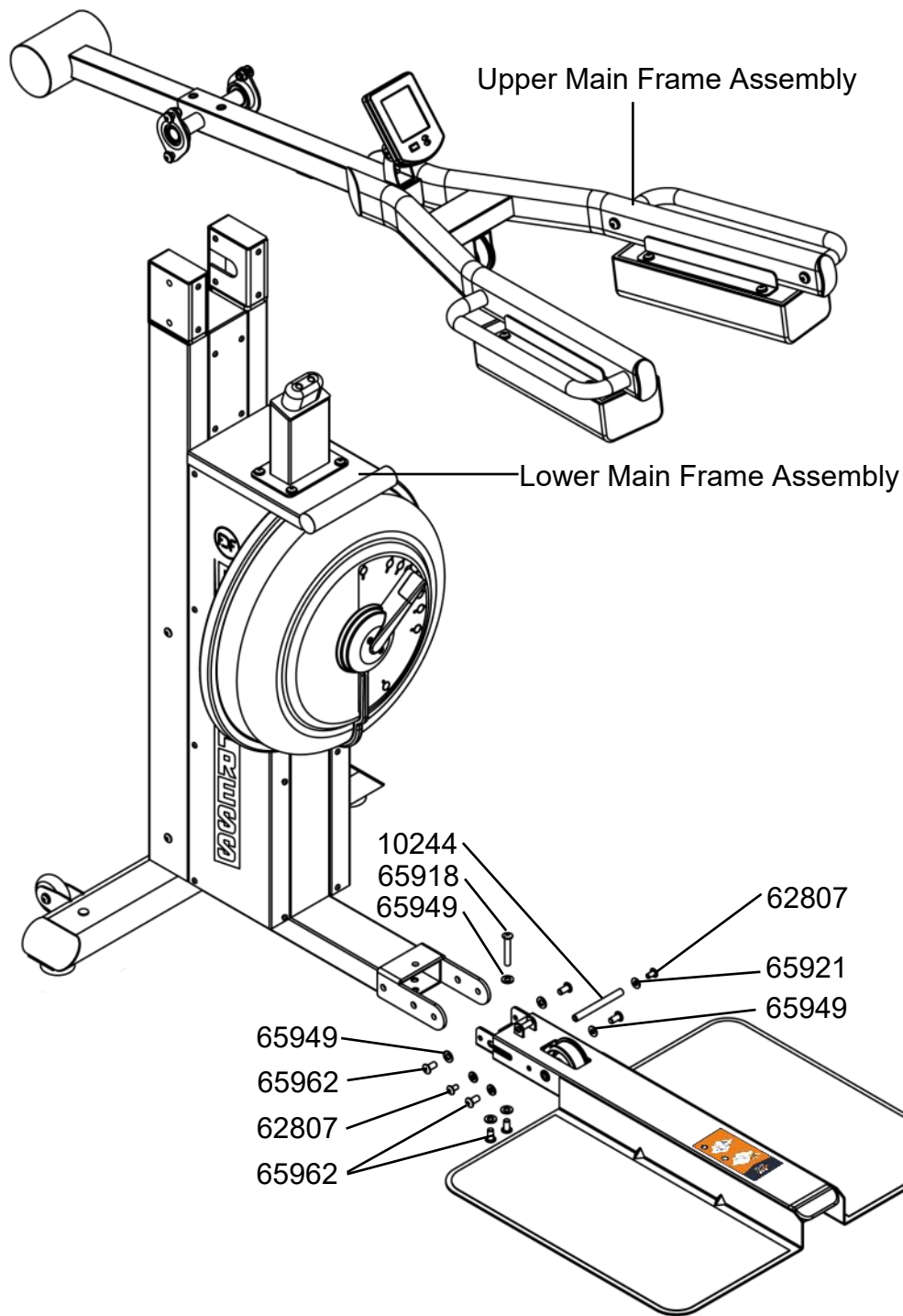


POWER PRESS

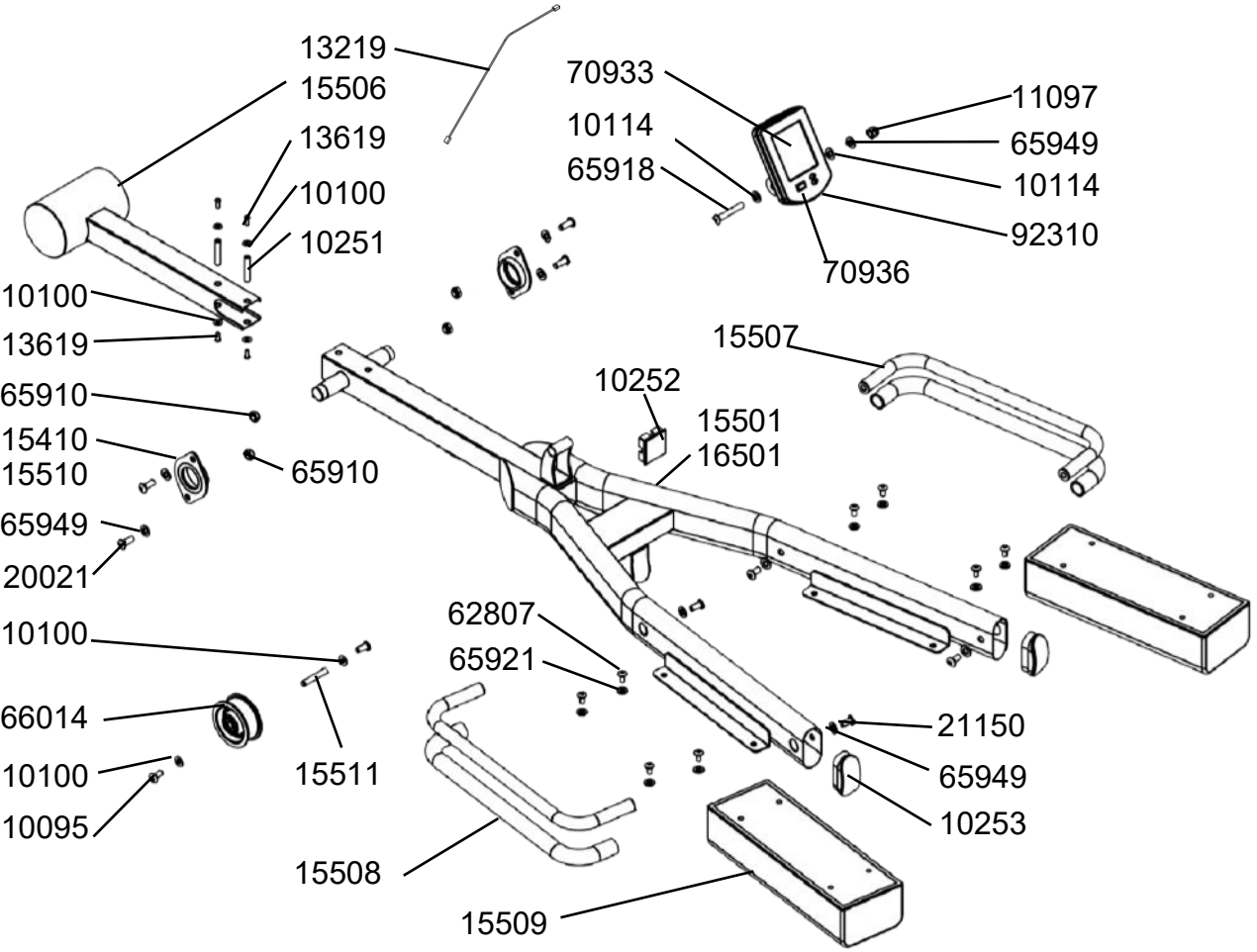
Exploded Diagram





10244	1	Shaft 11.9x115mm
62807	2	Dome Head Bolt M8x15 - B
65918	1	Dome Head Bolt M10x60 - B
65921	2	Washer M8x19x1.6t - B
65949	7	Washer M10x21x2t - B
65962	6	Dome Head Bolt M10x25 - B

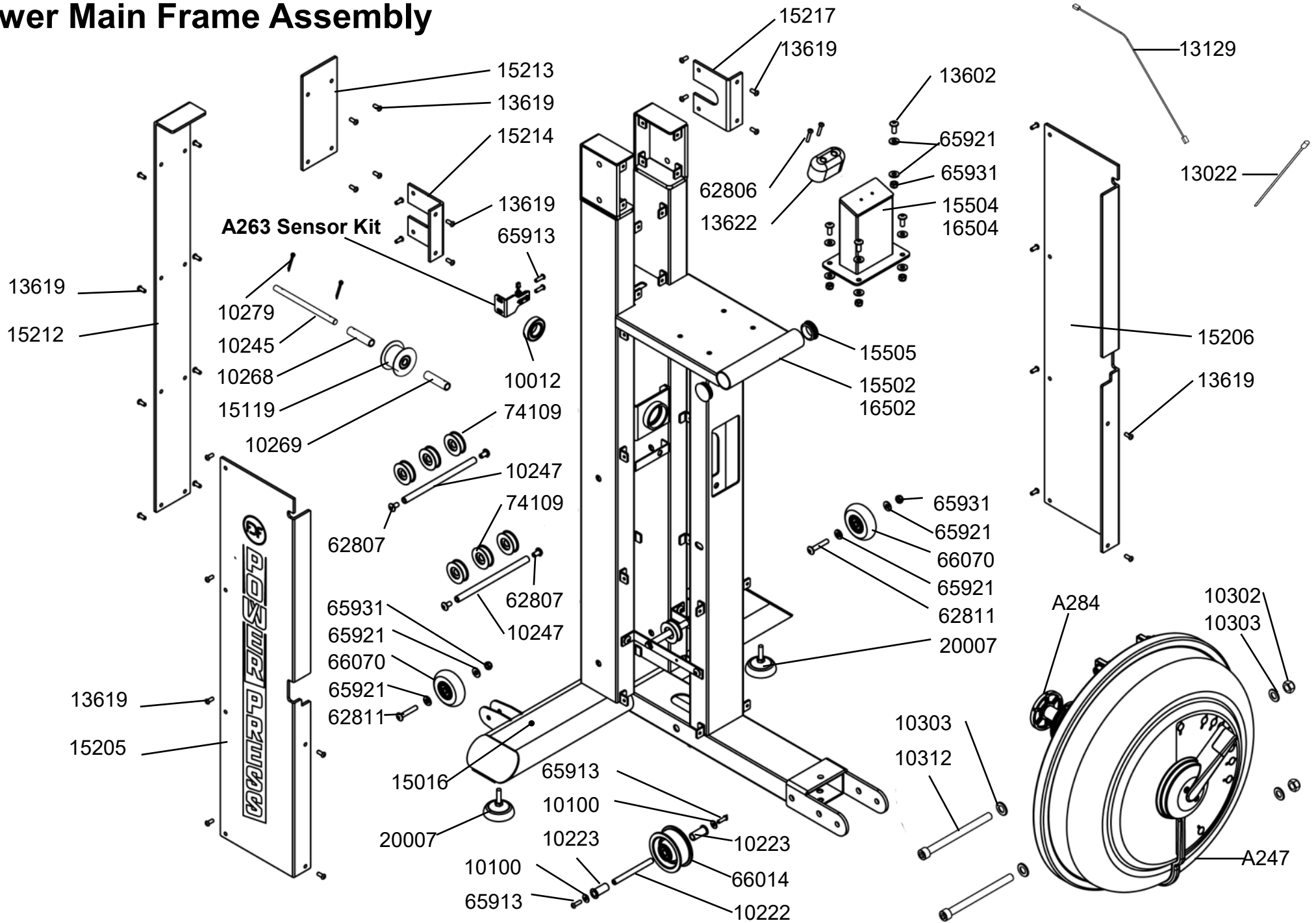
Upper Main Frame Assembly



15410 - Before **#18 04023-4032 10**
 15510 - After **#18 04113-4118 10**

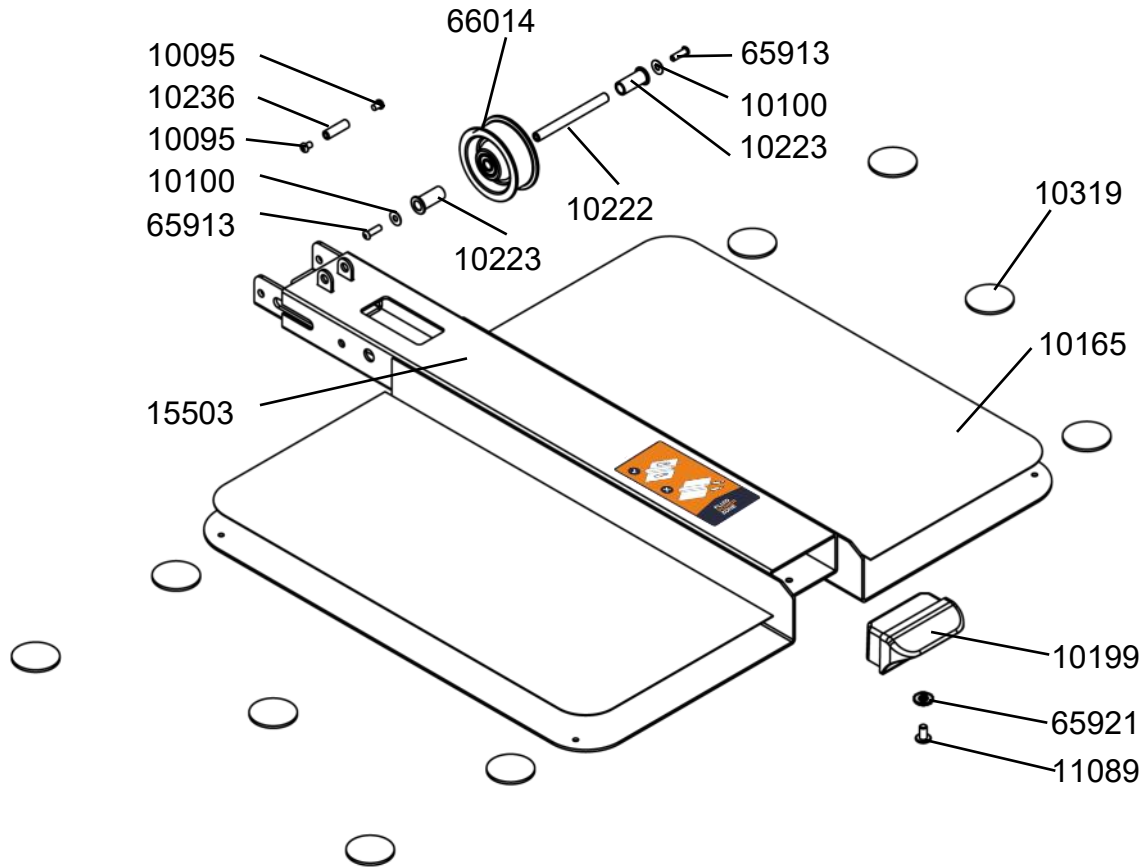
10095	2	Dome Head Bolt M6x10 - B
10100	6	Washer M6x16x1t - B
10114	2	Computer Mount Plastic Bushing 20x16x13x10
10251	2	Shaft 10x49mm
10252	1	End Cap 50x50mm
10253	2	End Cap 40x80mm
11097	1	Nut Dome Head M10 - B
13219	1	Heart Rate Wiring 800mm - Upper
13619	4	Dome Head Bolt M6x15 - B
15410	2	Pillow Block Ball Bearing
15501	1	Upper Main Frame Complete - Power Press Orange
15506	1	Balance Bar
15507	2	Arm Tube
15508	2	Grip for Arm Tube
15509	2	Shoulder Pad
15510	2	Pillow Block Ball Bearing
15511	1	Shaft 10x42mm
16501	1	Upper Main Frame Complete - Power Press Gray
20021	4	Dome Head Bolt M10x35 - B
21150	4	Dome Head Bolt M10x15 - B
62807	8	Dome Head Bolt M8x15 - B
65910	4	Nyloc Nut M10 - B
65918	1	Dome Head Bolt M10x60 - B
65921	8	Washer M8x19x1.6t - B
65949	9	Washer M10x21x2t - B
66014	1	Belt Pulley with 6000zz Bearings Complete
70933	1	LCD for Bluetooth Auto-Adjust Monitor
70936	1	Mambrane for Power Zone
92310	1	Bluetooth Auto-Adjust Monitor

Lower Main Frame Assembly



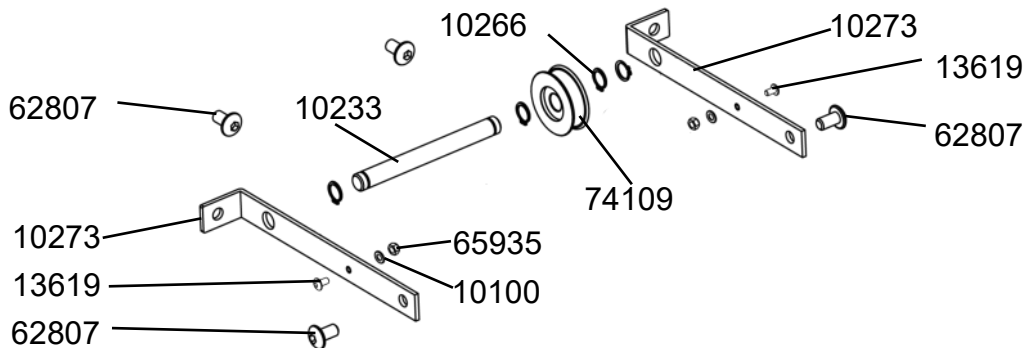
10012	1	Bearing NSK6005ZZ	15212	1	PVC Cover Rear - Power Press
10100	2	Washer M6x16x1t - B	15213	1	PVC Cover Upper Rear - Power Press
10222	1	Shaft 10x104mm	15214	1	L-Shaped PVC Cover - Power Press
10223	2	Plastic Bushing 10.5x14x34.5	15217	1	R-Shaped PVC Cover - Power Press
10245	1	Shaft 10x165mm	16502	1	Lower Main Frame Complete - Power Press Gray
10247	2	Shaft 12x195L	16504	1	Support Bracket for Upper Main Frame - Power Press Gray
10268	1	Spacer 14.5x10x60.2	20007	2	Foot Levelers M8x30 Hardened Rubber
10269	1	Spacer 14.5x10x57.2	60145	2	End Cap 38.1
10279	2	Cotter Pin 4mm	62806	2	Dome Head Bolt M5x30 - B
10302	2	Nyloc Nut M12 - B	62807	4	Dome Head Bolt M8x15 - B
10303	4	Washer M13x24x2t - B	62811	2	Dome Head Bolt M8x45 - B
10312	2	Hex Head Bolt M12x150 - B	65913	4	Dome Head Bolt M6x20 - B
13022	1	Computer Wiring 800mm	65921	12	Washer M8.5x19x1.6t - B
13229	1	Level Wiring 900mm	65931	6	Nyloc Nut M8 - B
13602	4	Dome Head Bolt M8x20 - B	66014	1	Belt Pulley with 6000zz Bearings Complete
13619	30	Dome Head Bolt M6x15 - B	66070	2	Transport Wheel
13622	1	Rubber Feet	74109	6	Bungee Pulley with Bearing
15016	2	End Cap 11mm	84519	1	Bungee 6mmx3120mm & Inner Clip #65922 & Hook #65923
15119	1	Idle Wheel & Bearing 6000ZZ x 2 #60112	84506	1	Belt 5360mm
15205	1	PVC Cover Left with Decal #15008 - Power Press	A247	1	Tank and Pulley Complete Assembly
15206	1	PVC Cover Right with Decal #15008 - Power Press	A263	1	Sensor Kit
15502	1	Lower Main Frame Complete - Power Press Orange	A284	1	Pulley Assembly
15504	1	Support Bracket for Upper Main Frame - Power Press Orange			

Foot Plate Assembly



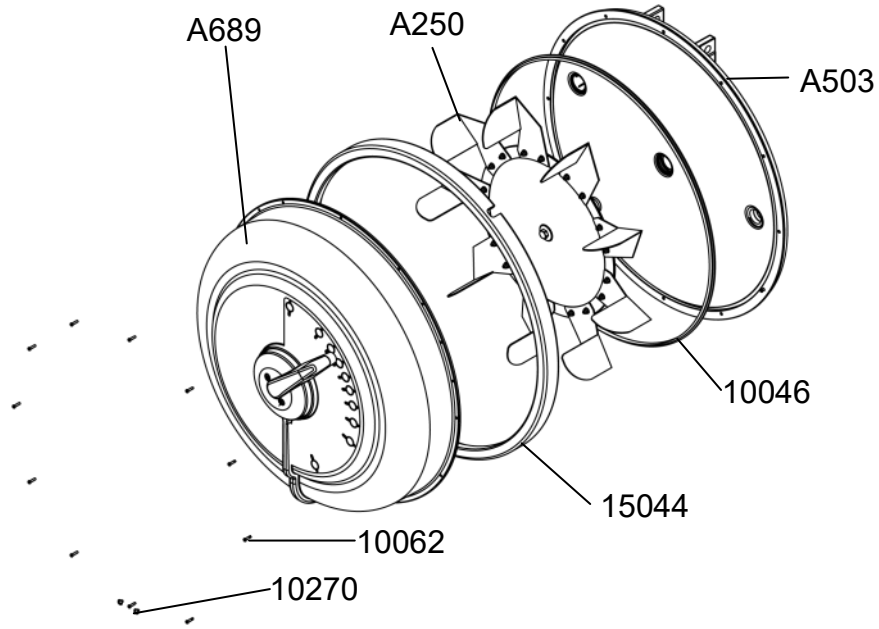
10095	2	Dome Head Bolt M6x10 - B
10100	2	Washer M6x16 - B
10199	1	End Cap 100x50mm
10222	1	Shaft 10x104mm
10223	2	Plastic Bushing 10.5x14x34.5
10236	1	Shaft 9.5x31mm
11089	1	Dome Head Bolt M8x30 - B
15503	1	Foot Plate & Rubber Pad #10165 & Non Skid #10319 & Decal#15017
66014	1	Belt Pulley with 6000zz Bearings Complete
65913	2	Dome Head Bolt M6x20 - B
65921	1	Washer M8.5x19x1.6t - B

Bungee Pulley Assembly



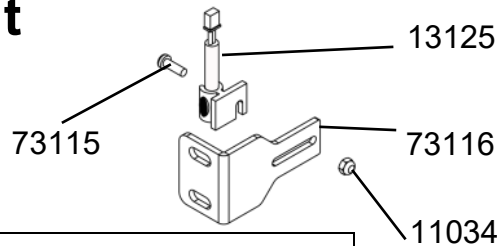
10100	2	Washer M6x16 - B
10233	1	Shaft 12x118 - Rear
10266	4	C Clip STW-12
10273	2	L-Shaped Support Bracket
13619	2	Dome Head Bolt M6x15 - B
62807	4	Dome Head Bolt M8x15 - B
65935	2	Nyloc Nut M6 - B
74109	1	Bungee Pulley with Bearing - L16

A252 Complete Tank Assembly



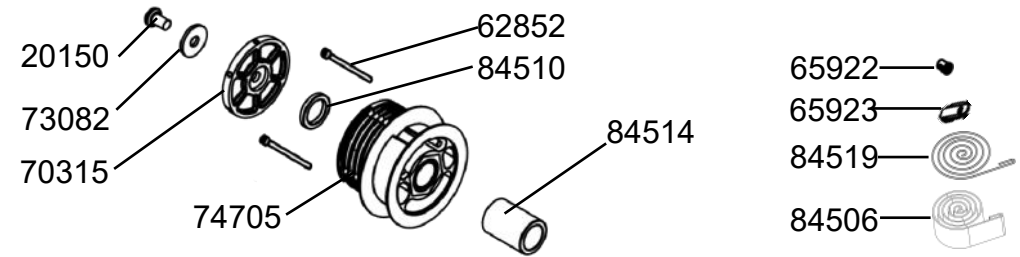
A250	1	Flywheel Complete Assembly
A503	1	Tank Back Kit - Black
A689	1	Tank Cover Assembly
10046	1	Tank Large Seal
10062	12	Round Head Phillips Screw M3x12 SUS
10270	2	Round Head Phillips Bolt M4x8 SUS
15044	1	Tank Outer Cover Ring - Black

A263 Sensor Kit



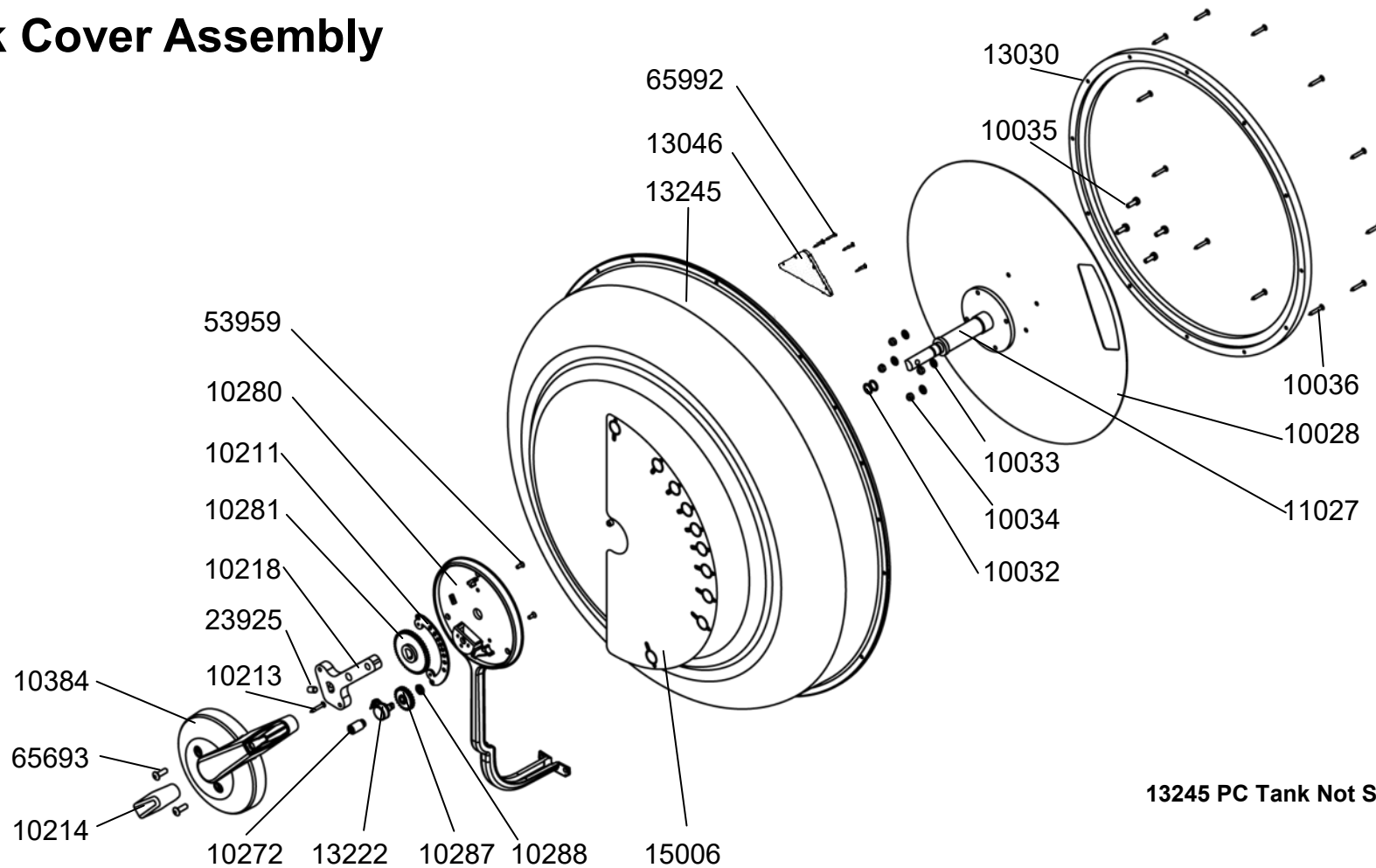
11034	1	Nut M4 -B
13125	1	Sensor Lead 45cm DT
73115	1	Round Head Phillips Screw M4x12
73116	1	Sensor Bracket

A284 Pulley Assembly



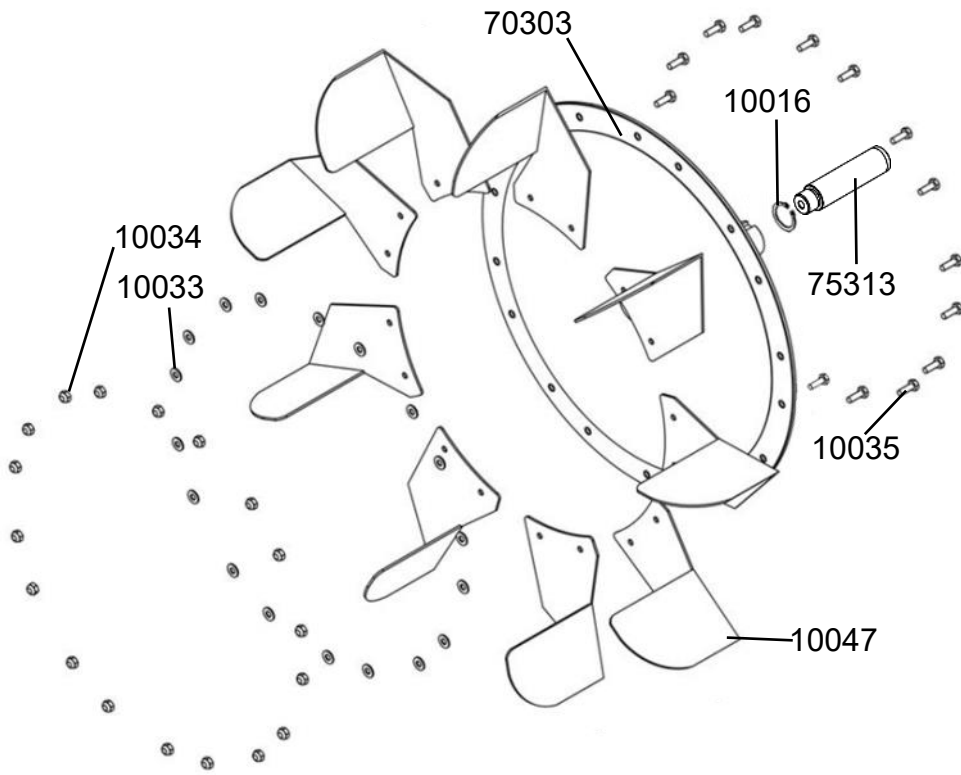
20150	1	Dome Head Bolt M10x15
62852	2	Hex Head Bolt M6x60 - B
70315	1	Magnetic Ring & Rare Earth Magnet #60124
73082	1	Washer 10.2x30x3t SUS
74705	1	One Way Bearings & Needle Bearings included for Belt/
84510	1	Bushing 25x35x5t
84514	1	Bushing 25x35x65t
84519	1	Bungee 6mmx3120mm & Inner Clip #65922 & Hook
84506	1	Belt 5360mm

A689 Tank Cover Assembly



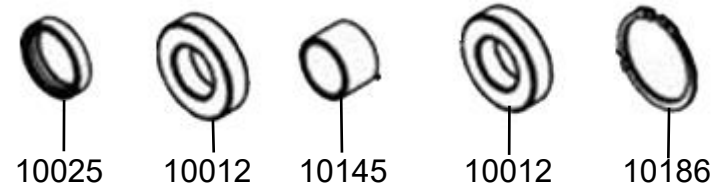
10028	1	Backing Plate 0.8mm SUS	10281	1	Gear M1T48
10032	2	Nylon Resistance Adjuster O Ring 12x9x1.5	10384	1	Adjuster Knob Set Gary incl. Cap #10214 & Screw #10213 & Ball Plunger #10272
10033	4	Washer 10x4.2x1 SUS	11027	1	Adjuster Handle Shaft
10034	4	Nut M4 SUS	13030	1	Adjuster PP Tank Ring 358x10
10035	4	Hex Bolt M4 SUS	13245	1	PC Tank Cover with Decal #15006 & Triangle plate #13046 & Bolts #65992
10036	12	Flat Tapping Screw M3x20 SUS	23925	1	Grub Screw M6x10
10211	1	Locating Plate	53959	2	Counter Sunk Bolt M3x8 -SUS
10218	1	Adjuster Handle	65693	2	Dome Head Bolt M5x15 - B
10280	1	Lever Base incl. Potentiometer, #13222 Gear #10287 & Nut #10288			

A250 Flywheel Assembly



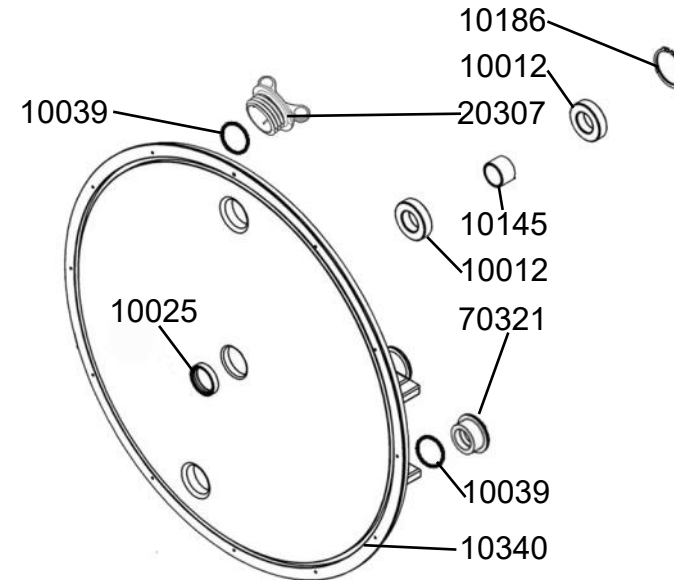
10016	1	C Clip STW-25
10033	18	Washer 10x4.2x1 SUS
10034	18	Nut M4 SUS
10035	18	Hex Bolt M4 SUS
10047	9	Impeller Blade
70303	1	Flywheel - E316/VX2/E520/VX3
75313	1	Impeller Shaft 252mm

A012 Tank Bearing & Seal Kit



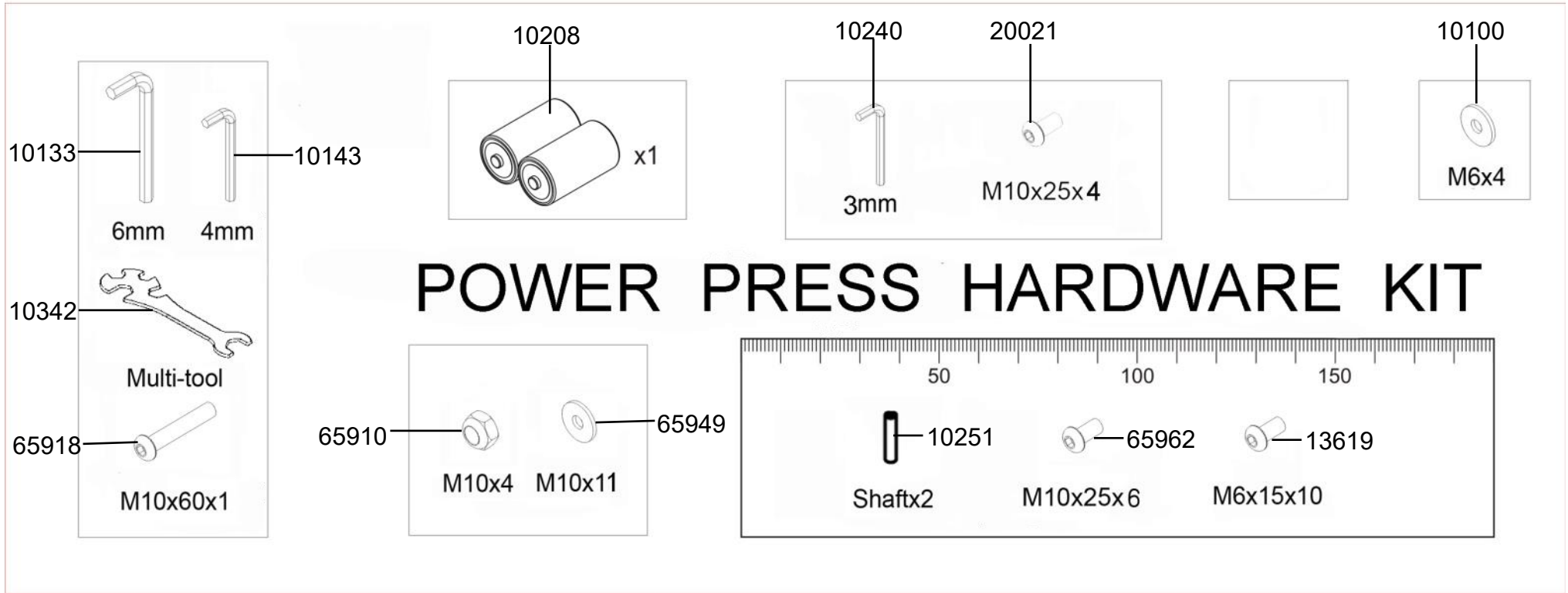
10012	2	Bearing NSK6005ZZ
10025	1	Seal NBR 37x30x8t for Flywheel Shaft
10145	1	Bearing Spacer 30x25.1x20.5mm
10186	1	C Clip RTW-48

A503 Tank Back Kit - Black



10012	2	Bearing NSK6005ZZ
10025	1	Seal NBR 37x30x8t for Flywheel Shaft
10145	1	Bearing Spacer 30x25.1x20.5mm
10186	1	C Clip RTW-48
10340	1	Tank Back - Black
20307	1	Tank Plug Black with O-Ring #10039
70321	1	Tank Plug Black with O Ring #10039

HPRE Hardware Kit



10100	4	Washer M6x16x1t - B
10133	1	Allen Key 6mm
10143	1	Allen Key 4mm
10208	1	D Cell Duracell Battery
10240	1	Allen Key 3mm
10251	2	Shaft 10x49mm
13619	10	Dome Head Bolt M6x15 - B
10342	1	Multi-Wrench
20021	4	Dome Head Bolt M10x35 - B
65910	4	Nyloc Nut M10 - B
65918	1	Dome Head Bolt M10x60 - B
65949	11	Washer M10x21x2t - B
65962	6	Dome Head Bolt M10x25 - B