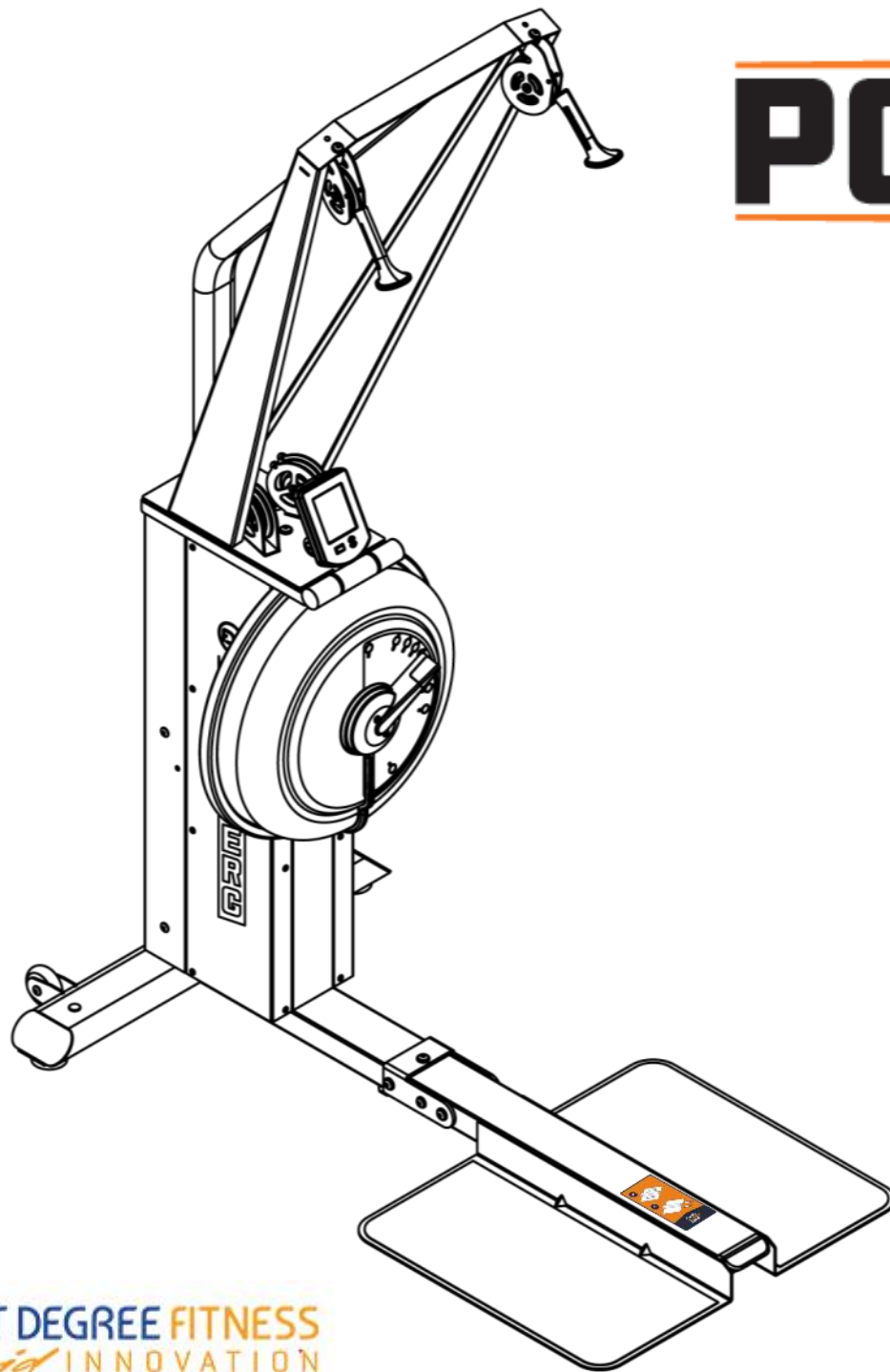
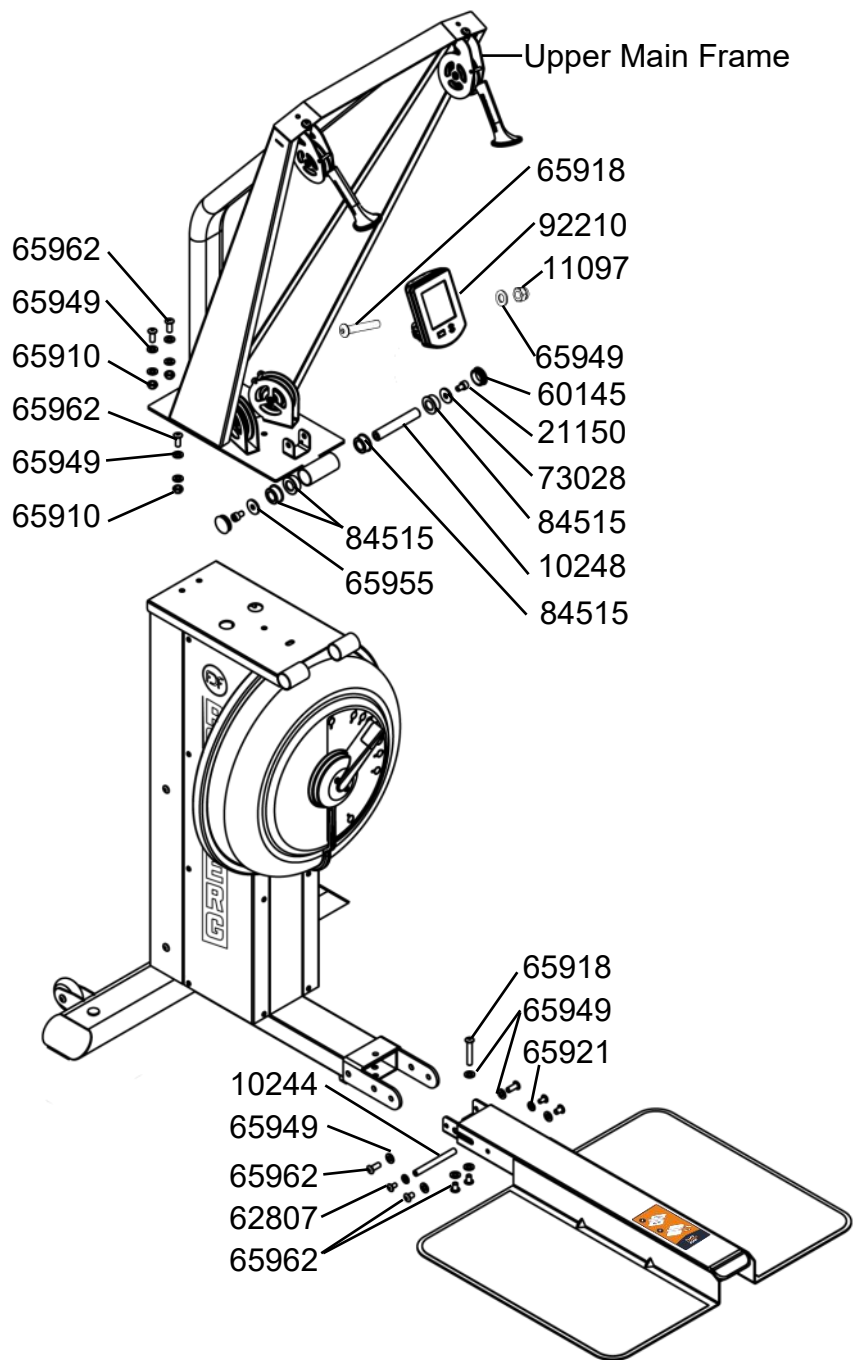


POWER/ERG

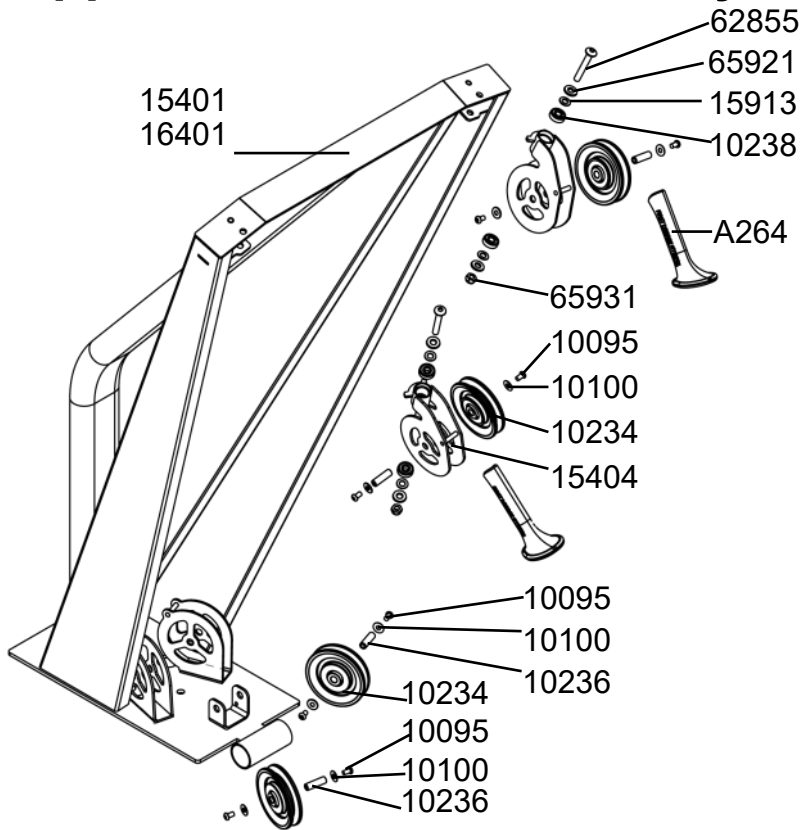
Exploded Diagram





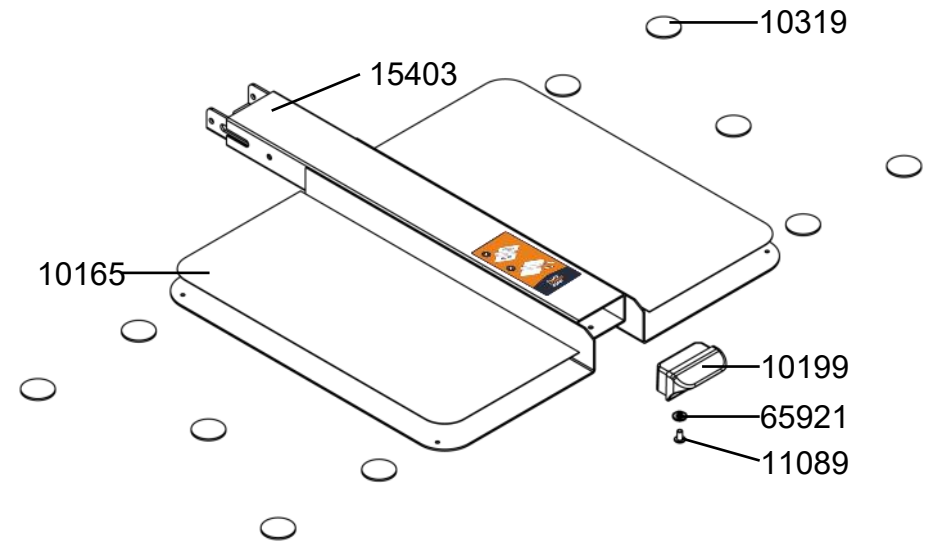
10244	1	Shaft 11.9x115mm
10248	1	Shaft 20x120.5mm
11097	1	Nut Dome Head M10 - B
21150	2	Dome Head Bolt M10x15 - B
60145	2	End Cap 38.1mm
62807	2	Dome Head Bolt M8x15 - B
65910	3	Nyloc Nut M10 - B
65918	2	Dome Head Bolt M10x60 - B
65921	2	Washer M8x19x1.6t - B
65949	14	Washer M10x21x2t - B
65962	9	Dome Head Bolt M10x25 - B
73082	2	Washer M10x30 - B
84515	4	Bushing 20x38.1x16t
92210	1	Bluetooth Auto-Adjust Monitor

Upper Main Frame Assembly



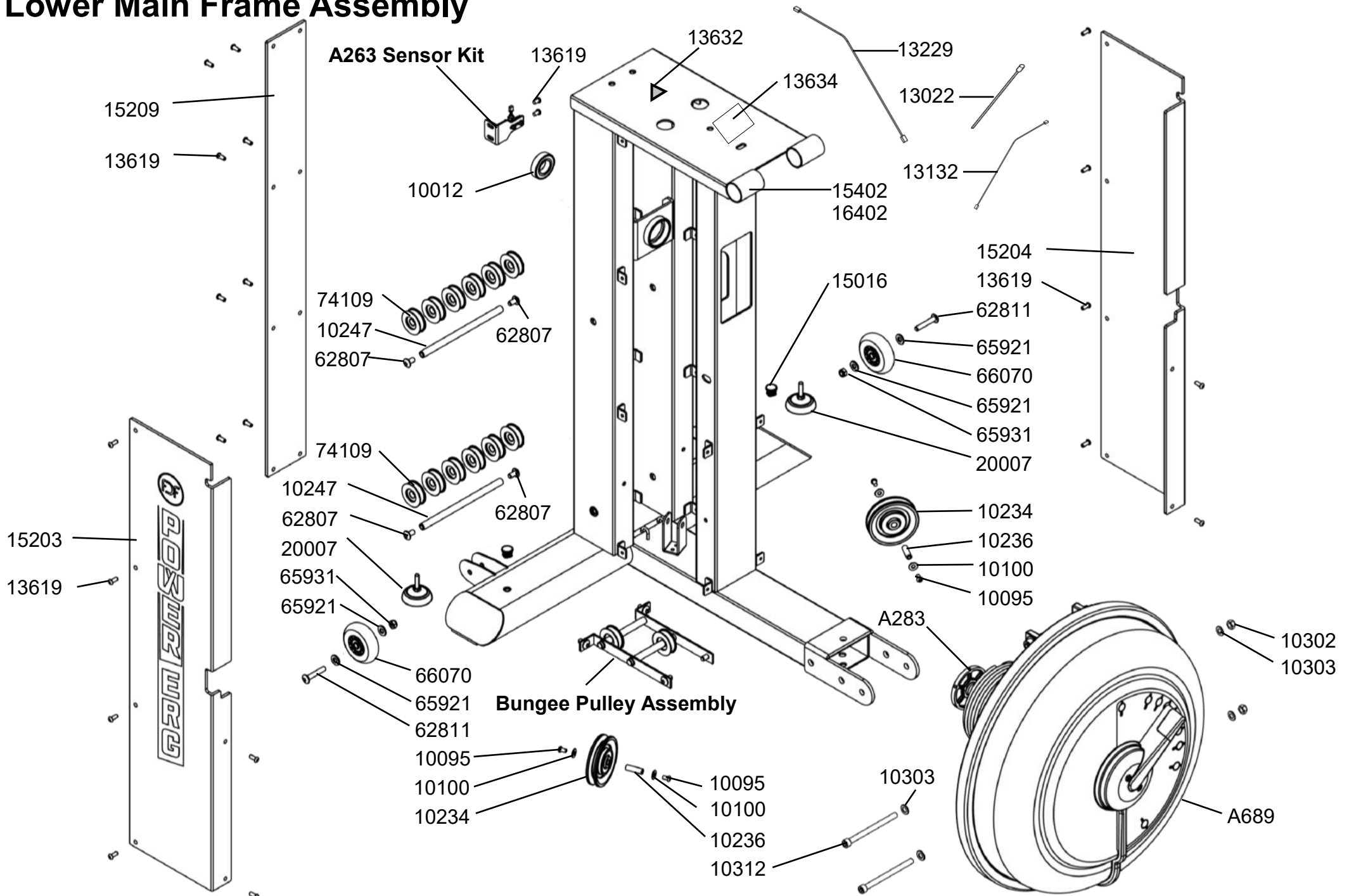
A264	1	Handle Assembly
10095	8	Dome Head Bolt M6x10 - B
10100	8	Washer M6x16 - B
10234	4	Pulley 90mm
10236	4	Shaft 9.5x31
10238	4	Bearing 608ZZ 8x22x7t
15401	1	Upper Main Frame Complete - Power Erg Orange
15404	2	Pulley Cover
15913	4	Washer M8x16x1t - B
16401	1	Upper Main Frame Complete - Power Erg Gray
62855	2	Dome Head Bolt M8x55 - B
65921	4	Washer M8.5x19x1.6t - B
65931	2	Nyloc Nut M8 - B

Foot Plate Assembly



10199	1	End Cap 100x50
11089	1	Dome Head Bolt M8x30 - B
15403	1	Foot Plate & Rubber Pad #10165 & Non Skid #10319 & Decal#15017
65921	1	Washer M8.5x19x1.6t - B

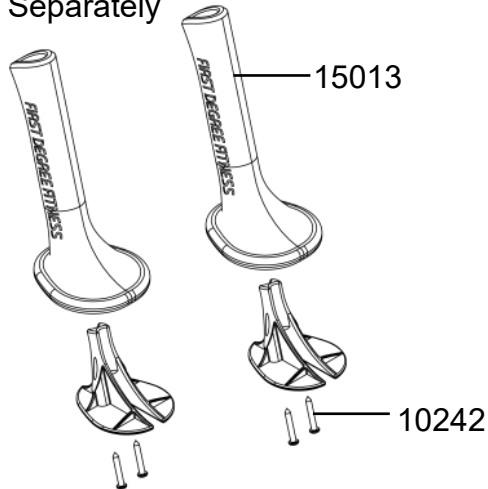
Lower Main Frame Assembly



10012	1	Bearing NSK6005ZZ	15203	1	PVC Cover Left with Decal #15001 - Power Erg
10095	4	Dome Head Bolt M6x10 - B	15204	1	PVC Cover Right with Decal #15001 - Power Erg
10100	4	Washer M6x16x1t - B	15209	1	PVC Cover Rear - Power Zone
10234	2	Pulley 90mm	15402	1	Lower Main Frame Complete - Power Erg Orange with Decal # 13632&13634
10236	2	Shaft 9.5x31mm	16402	1	Lower Main Frame Complete - Power Erg Graywith Decal # 13632&13634
10247	2	Shaft 12x195L	20007	2	Foot Levelers M8x30 Hardened Rubber
10302	2	Nyloc Nut M12 - B	62807	4	Dome Head Bolt M8x15 - B
10303	4	Washer M13x24x2t - B	62811	2	Dome Head Bolt M8x45 - B
10312	2	Hex Head Bolt M12x150 - B	65921	4	Washer M8.5x19x1.6t - B
13022	1	Computer Wiring 800mm	65931	2	Nyloc Nut M8 - B
13229	1	Level Wiring 900mm	66070	2	Transport Wheel
13232	1	Computer Wiring 450mm	74109	12	Bungee Pulley with Bearing
13619	22	Dome Head Bolt M6x15 - B	A689	1	Tank Cover Assembly
15016	2	End Cap 11mm	A263	1	Sensor Kit

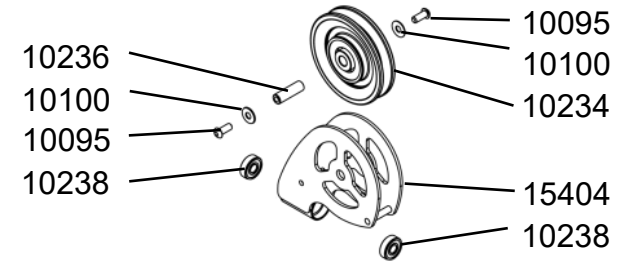
A264 Handle Assembly

Not Sold Separately



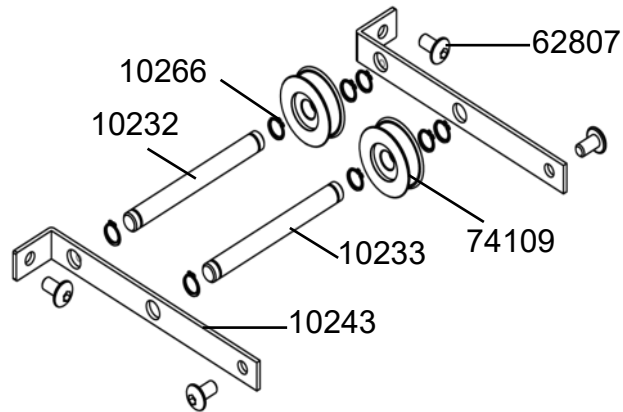
10242	4	Round Head Phillips Screw M3x25 - B
15013	2	Handle with Cap

A279 Rope Pulley Assembly



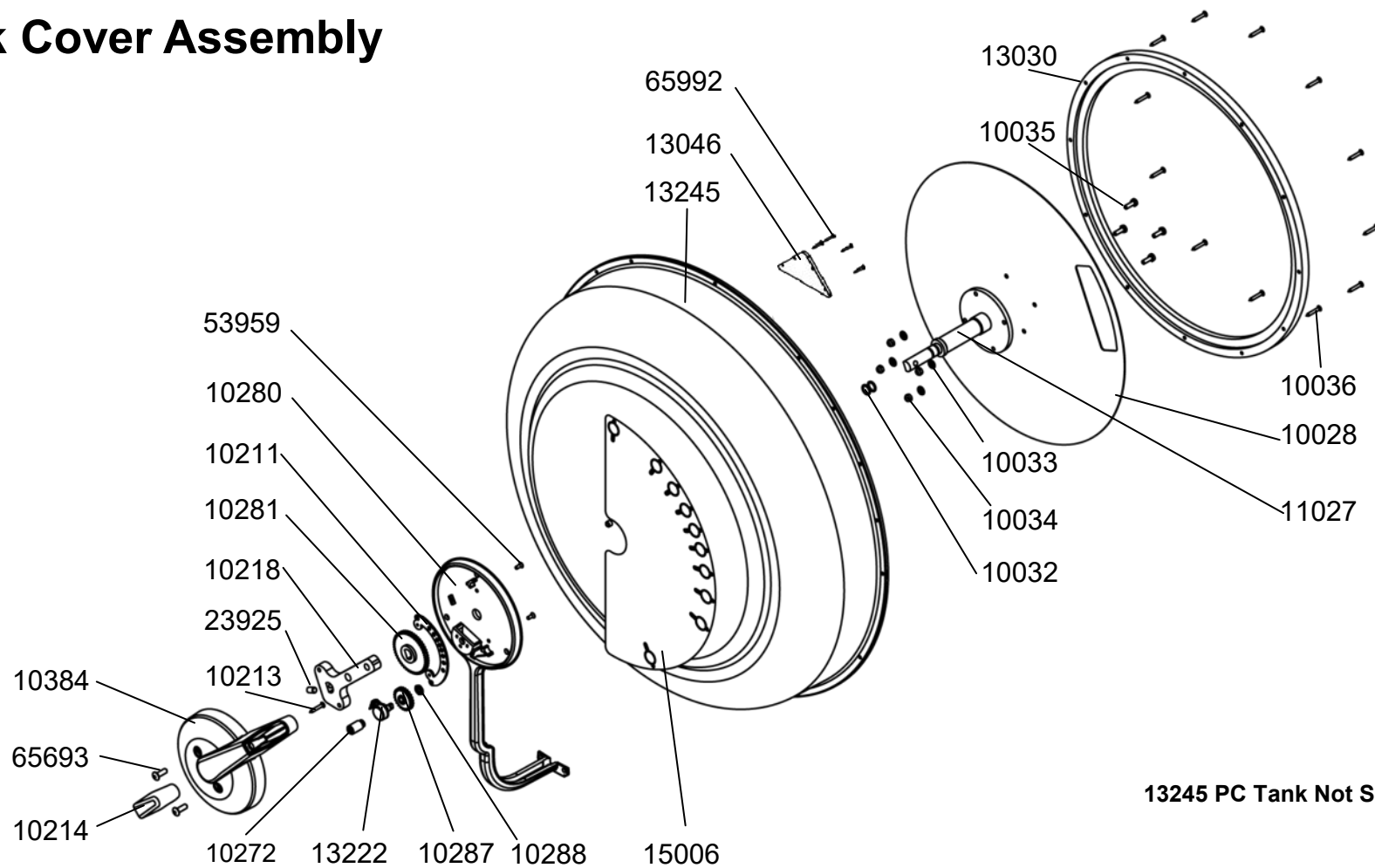
10095	2	Dome Head Bolt M6x10 - B
10100	2	Washer M6x16 - B
10234	1	Pulley 90mm
10236	1	Shaft 9.5x31
10238	2	Bearing 608ZZ 8x22x7t
15404	1	Pulley Cover

Bungee Pulley Assembly



10232	1	Shaft 12x118 - Front
10233	1	Shaft 12x118 - Rear
10243	2	L-Shaped Support Bracket
10266	8	STW-12
62807	4	Dome Head Bolt M8x15 - B
74109	2	Bungee Pulley with Bearing - L16

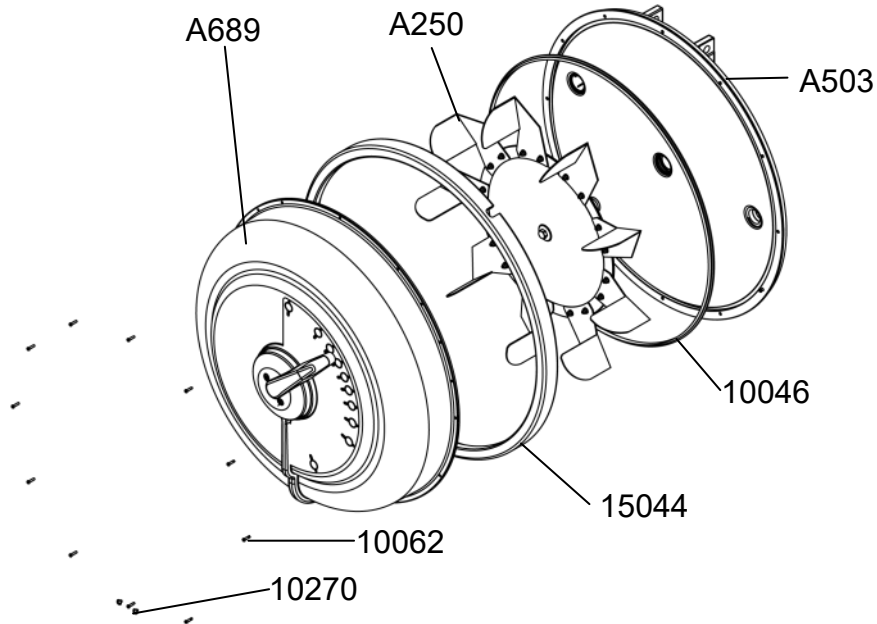
A689 Tank Cover Assembly



13245 PC Tank Not Sold Separately

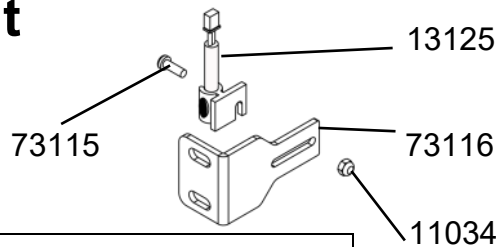
10028	1	Backing Plate 0.8mm SUS	10281	1	Gear M1T48
10032	2	Nylon Resistance Adjuster O Ring 12x9x1.5	10384	1	Adjuster Knob Set Gary incl. Cap #10214 & Screw #10213 & Ball Plunger #10272
10033	4	Washer 10x4.2x1 SUS	11027	1	Adjuster Handle Shaft
10034	4	Nut M4 SUS	13030	1	Adjuster PP Tank Ring 358x10
10035	4	Hex Bolt M4 SUS	13245	1	PC Tank Cover with Decal #15006 & Triangle plate #13046 & Bolts #65992
10036	12	Flat Tapping Screw M3x20 SUS	23925	1	Grub Screw M6x10
10211	1	Locating Plate	53959	2	Counter Sunk Bolt M3x8 -SUS
10218	1	Adjuster Handle	65693	2	Dome Head Bolt M5x15 - B
10280	1	Lever Base incl. Potentiometer, #13222 Gear #10287 & Nut #10288			

A252 Complete Tank Assembly



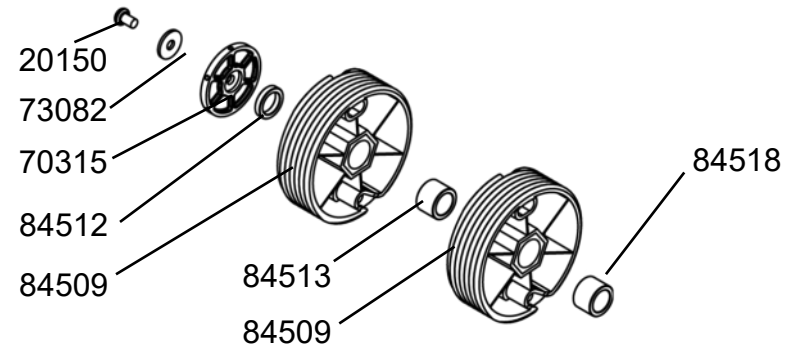
A250	1	Flywheel Complete Assembly
A503	1	Tank Back Kit - Black
A689	1	Tank Cover Assembly
10046	1	Tank Large Seal
10062	12	Round Head Phillips Screw M3x12 SUS
10270	2	Round Head Phillips Bolt M4x8 SUS
15044	1	Tank Outer Cover Ring - Black

A263 Sensor Kit



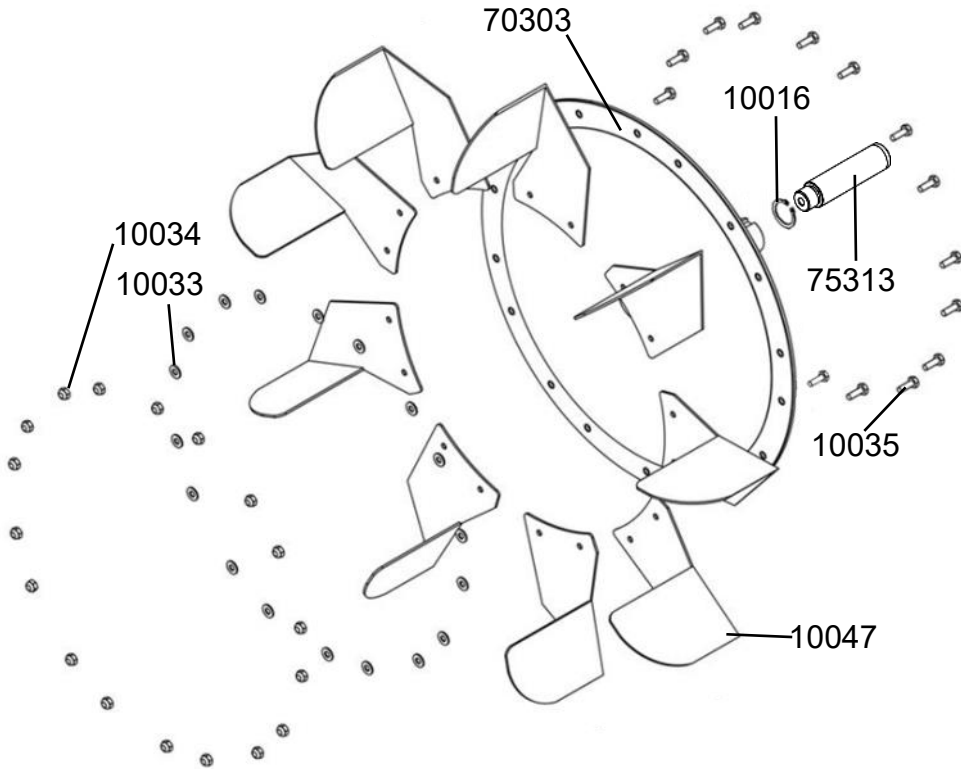
11034	1	Nut M4 -B
13125	1	Sensor Lead 45cm DT
73115	1	Round Head Phillips Screw M4x12
73116	1	Sensor Bracket

A283 Pulley Assembly



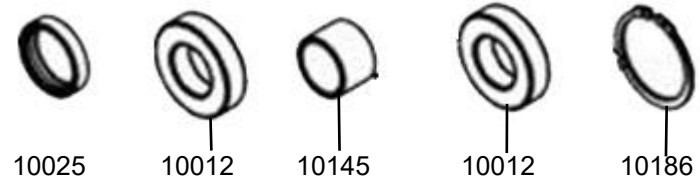
20150	1	Dome Head Bolt M10x15
70315	1	Magnetic Ring & Rare Earth Magnet #60124
73082	1	Washer 10.2x30x3t SUS
84509	2	One Way Bearings & Needle Bearings included for Dyneema/Bungee Pulley
84512	1	Bushing 25x35x7t
84513	1	Bushing 25x35x24.5t
84516	2	Dyneema 5200mm
84518	1	Bushing 25x35x17.5t
84519	2	Bungee 6mmx3120mm & Inner Clip #65922 & HOOK #65923

A250 Flywheel Assembly



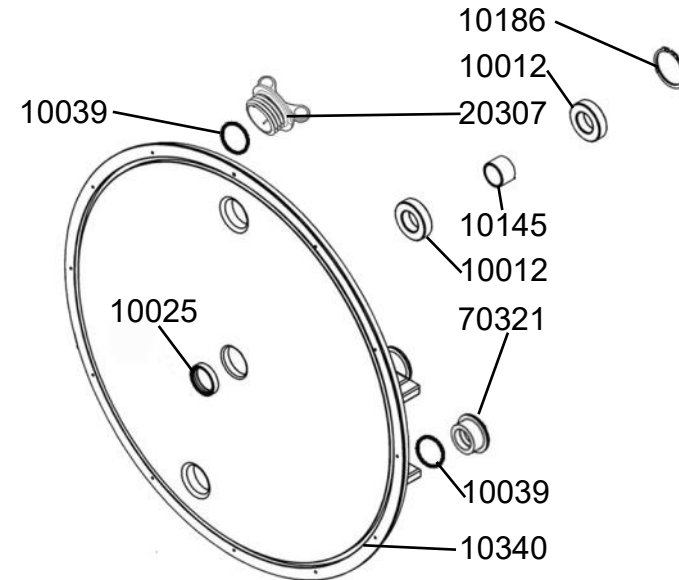
10016	1	C Clip STW-25
10033	18	Washer 10x4.2x1 SUS
10034	18	Nut M4 SUS
10035	18	Hex Bolt M4 SUS
10047	9	Impeller Blade
70303	1	Flywheel - E316/VX2/E520/VX3
75313	1	Impeller Shaft

A012 Tank Bearing & Seal Kit



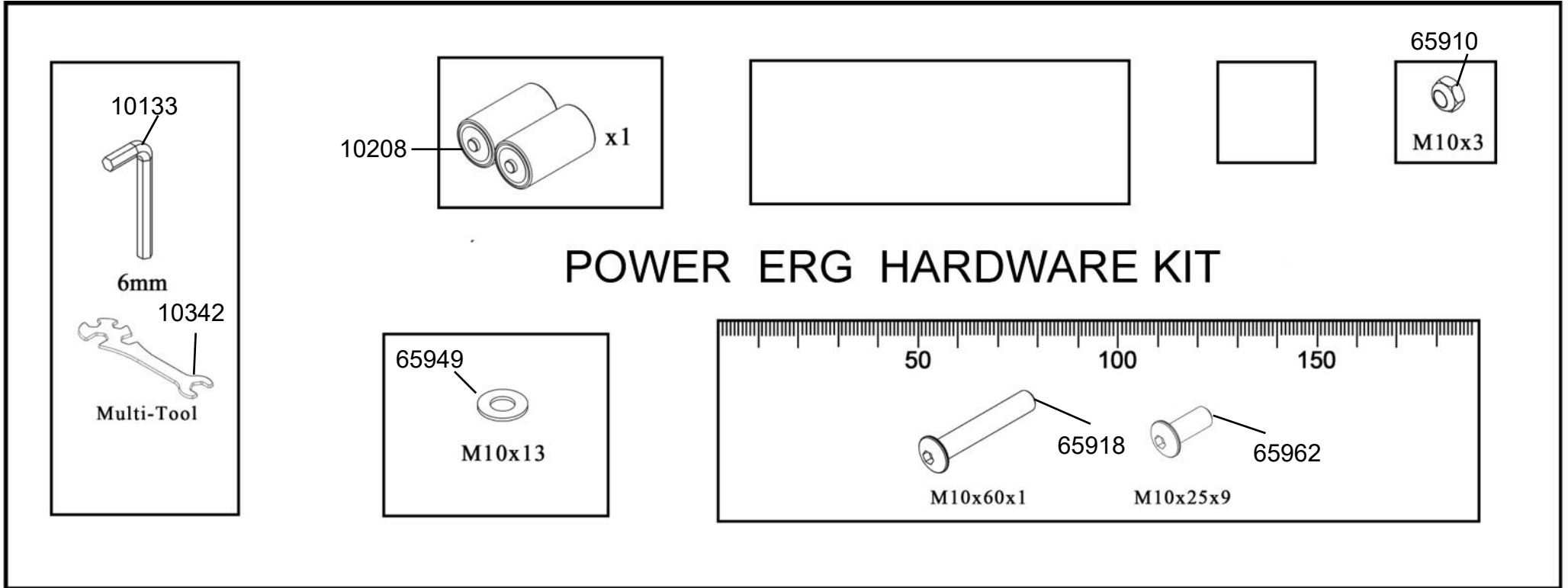
10012	2	Bearing NSK6005ZZ
10025	1	Seal NBR 37x30x8t for Flywheel Shaft
10145	1	Bearing Spacer 30x25.1x20.5mm
10186	1	C Clip RTW-48

A503 Tank Back Kit - Black



10012	2	Bearing NSK6005ZZ
10025	1	Seal NBR 37x30x8t for Flywheel Shaft
10145	1	Bearing Spacer 30x25.1x20.5mm
10186	1	C Clip RTW-48
10340	1	Tank Back - Black
20307	1	Tank Plug Black with O-ring #10039
70321	1	Tank Plug Black with O Ring #10039

HERG Hardware Kit



10133	1	Allen Key 6mm
10208	1	D Cell Duracell Battery
10342	1	Wrench 13x15x17x19
65910	3	Nyloc Nut M10 - B
65918	1	Dome Head Bolt M10x60 - B
65949	13	Washer M10x21x2t - B
65962	9	Dome Head Bolt M10x25 - B