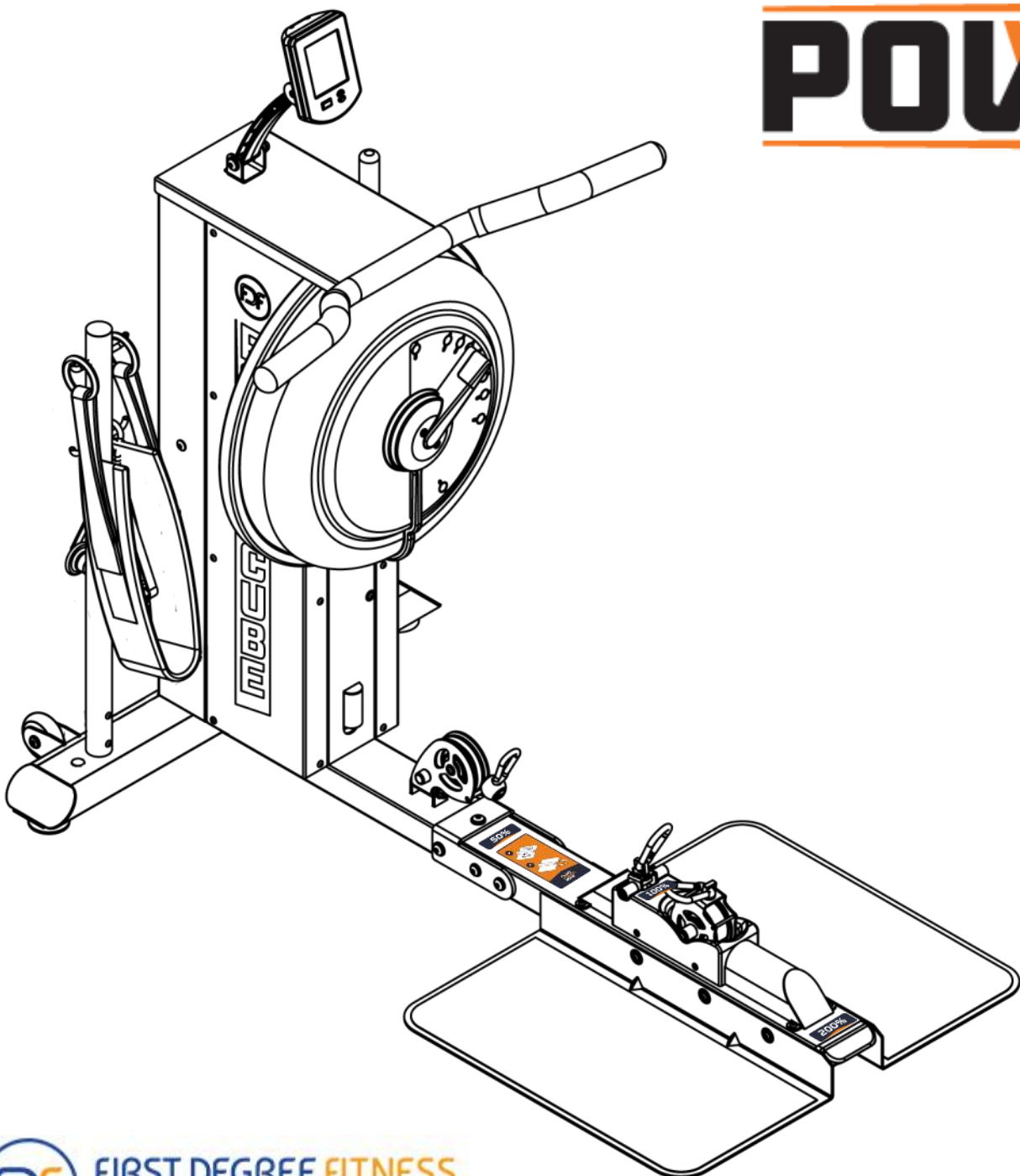
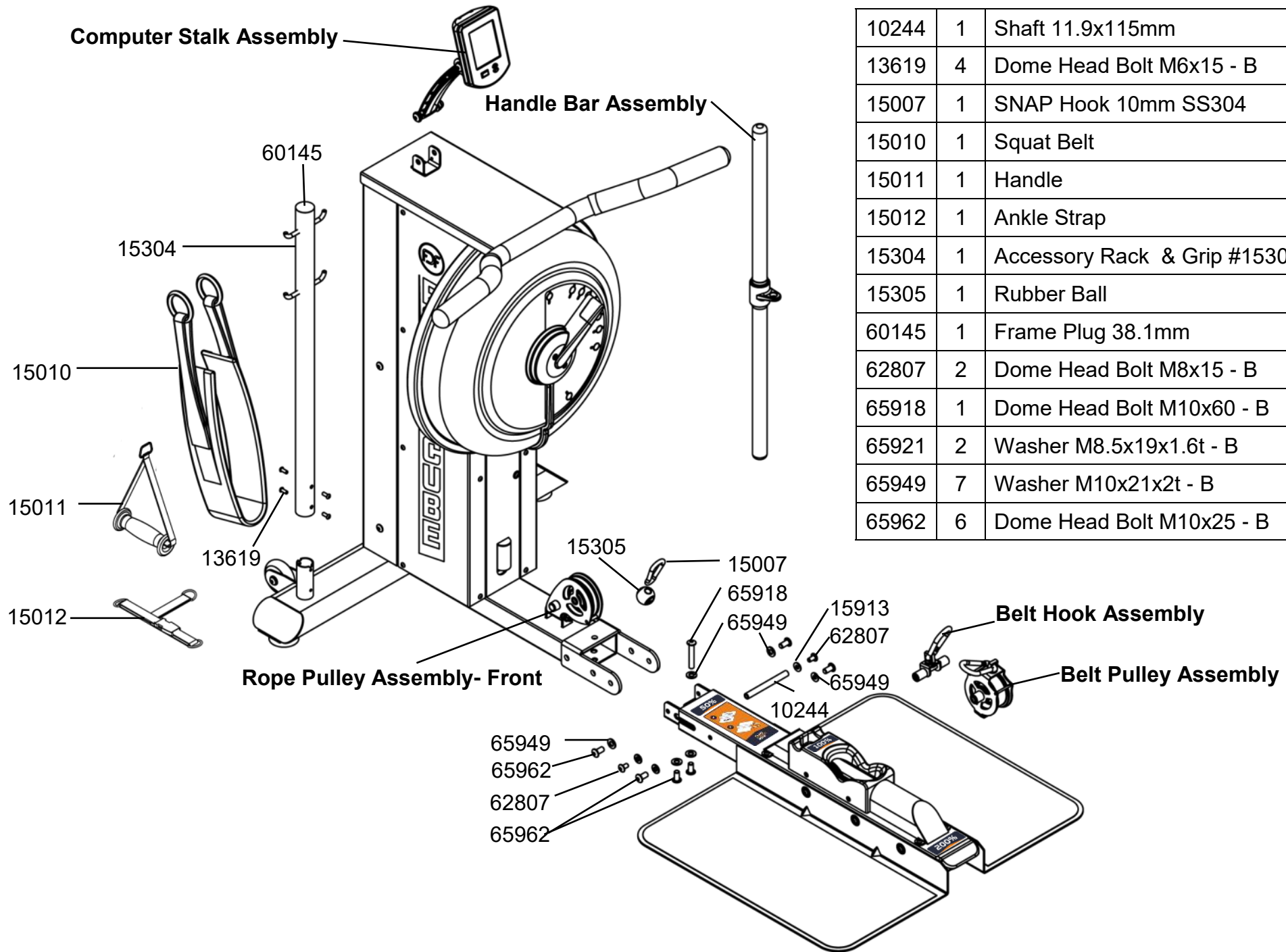


POWER CUBE

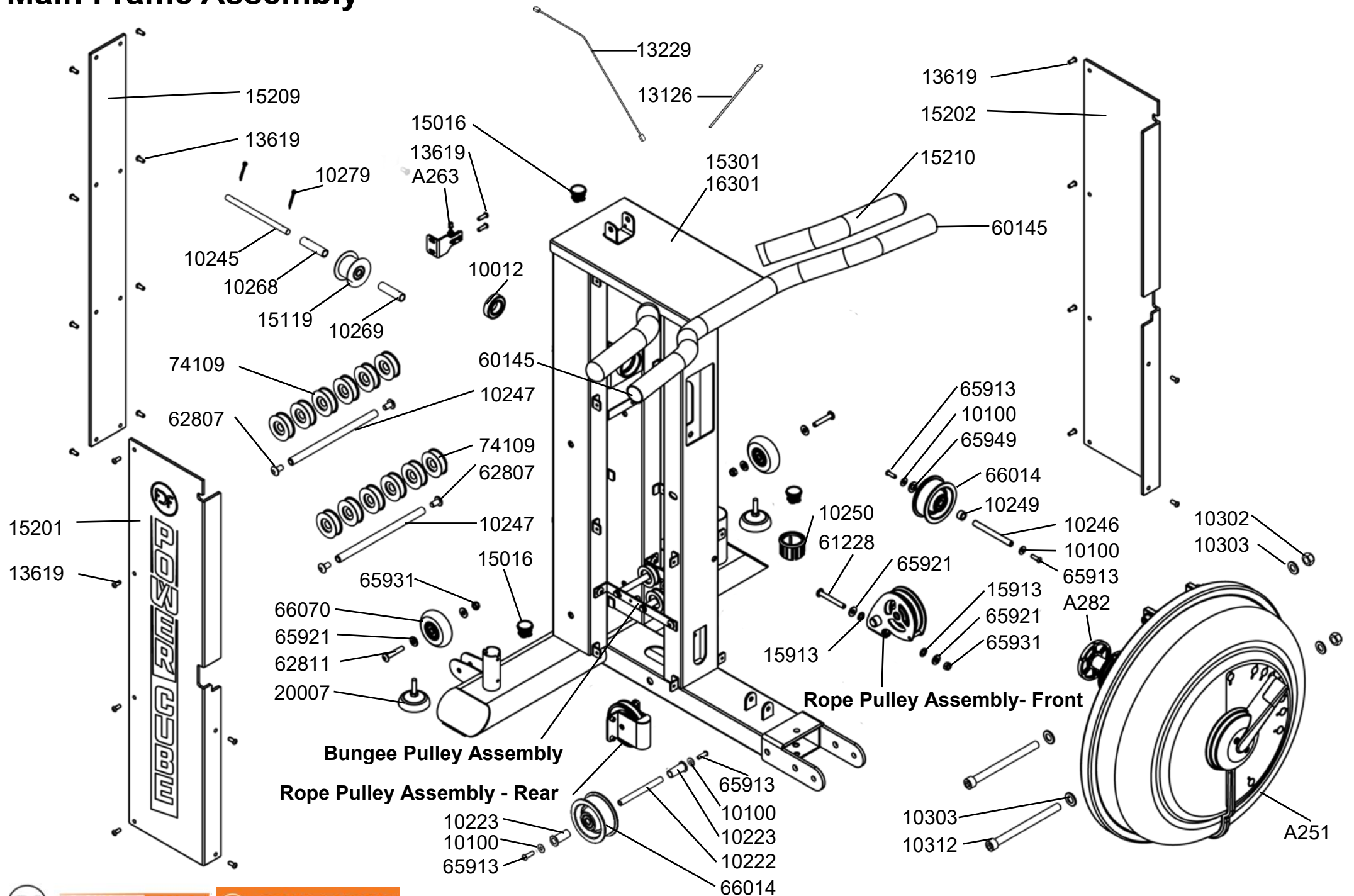
Exploded Diagram





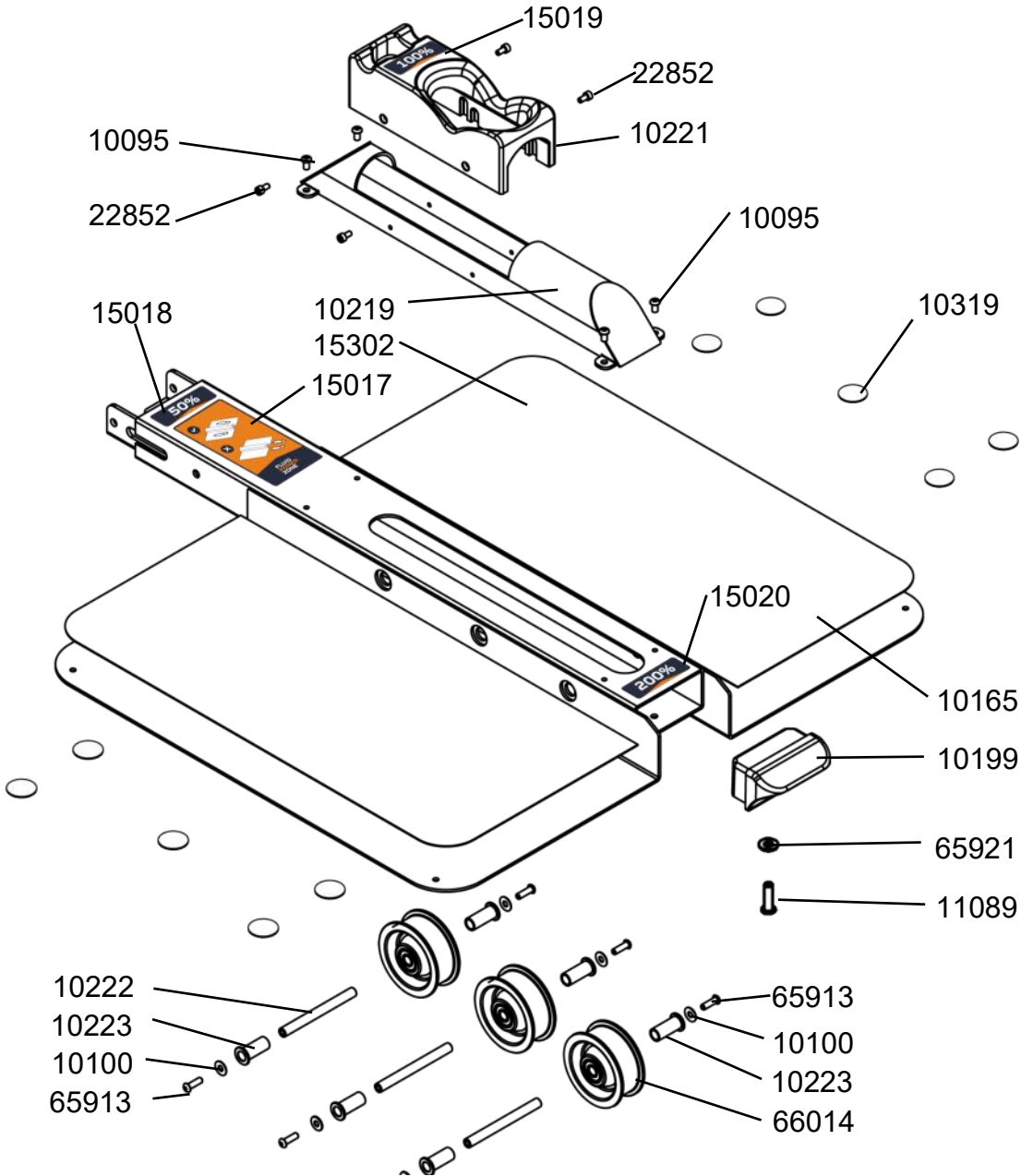
10244	1	Shaft 11.9x115mm
13619	4	Dome Head Bolt M6x15 - B
15007	1	SNAP Hook 10mm SS304
15010	1	Squat Belt
15011	1	Handle
15012	1	Ankle Strap
15304	1	Accessory Rack & Grip #15307
15305	1	Rubber Ball
60145	1	Frame Plug 38.1mm
62807	2	Dome Head Bolt M8x15 - B
65918	1	Dome Head Bolt M10x60 - B
65921	2	Washer M8.5x19x1.6t - B
65949	7	Washer M10x21x2t - B
65962	6	Dome Head Bolt M10x25 - B

Main Frame Assembly



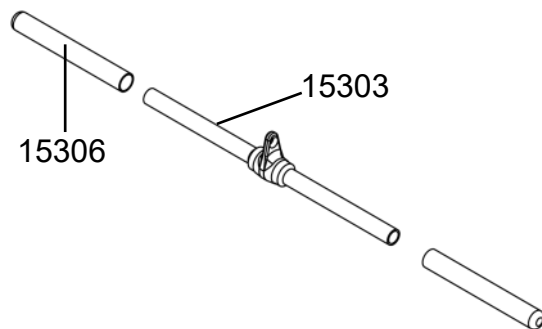
10012	1	Bearing NSK6005ZZ	15201	1	PVC Cover Left with Decal #15001 - Power Cube
10100	4	Washer M6x16x1t - B	15202	1	PVC Cover Right with Decal #15001 - Power Cube
10222	1	Shaft 10x104mm	15209	1	PVC Cover Rear
10223	2	Plastic Bushing 10.5x14x34.5	15210	2	Handle Grip - Power Cube
10245	1	Shaft 10x165mm	15301	1	Main Frame - Power Cube Orange
10246	1	Shaft 10x100mm	15913	2	Washer M8x16x1t - B
10247	2	Shaft 12x195L	16301	1	Main Frame - Power Cube Gray
10249	1	Bushing 10.2x16.2x10t	20007	2	Foot Levelers M8x30 Hardened Rubber
10250	1	Handle Plastic Cover	60145	2	Frame Plug 38.1mm
10268	1	Spacer 14.5x10x60.2	61228	1	Dome Head Bolt M8x65 - B
10269	1	Spacer 14.5x10x57.2	62807	4	Dome Head Bolt M8x15 - B
10279	2	Cotter Pin 4mm	62811	2	Dome Head Bolt M8x45 - B
10302	2	Nyloc Nut M12 - B	65913	4	Dome Head Bolt M6x20 - B
10303	4	Washer M13x24x2t - B	65921	6	Washer M8.5x19x1.6t - B
10312	2	Hex Head Bolt M12x150 - B	65931	3	Nyloc Nut M8 - B
13126	1	Computer Wiring 600mm	65949	1	Washer M10x21x2t - B
13229	1	Level Wiring 900mm	66014	2	Belt Pulley with 6000zz Bearings Complete
13619	22	Dome Head Bolt M6x15 - B	66070	2	Transport Wheel
15016	3	End Cap 11mm	74109	12	Bungee Pulley with Bearing
15119	1	Idle Wheel 56x35 & Bearing 6000ZZ x 2 #60112	A263	1	Sensor Kit

Foot Plate Frame Assembly



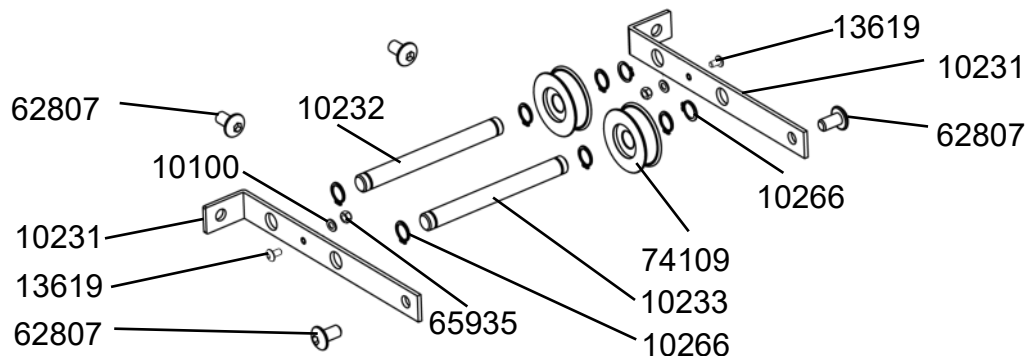
10095	4	Dome Head Bolt M6x10 - B
10100	6	Washer M6x16 - B
10199	1	End Cap 100x50
10219	1	Pulley Cover
10221	1	Pulley Rubber Strut with Decal#15019
10222	3	Shaft 10x104mm
10223	6	Plastic Bushing 10.5x14x34.5
11089	1	Dome Head Bolt M8x30 - B
15302	1	Foot Plate & Rubber Pad #10165 & Non Skid #10319 Decal#15017 & #15018 & #15020
22852	4	Hex Head Bolt M5x10 - B
66014	3	Belt Pulley with 6000zz Bearings Complete
65913	6	Dome Head Bolt M6x20 - B
65921	1	Washer M8.5x19x1.6t - B

Handle Bar Assembly



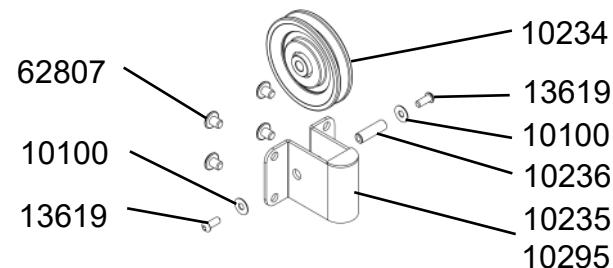
15303	1	Handle Bar 20 inch with Grip #15306
-------	---	-------------------------------------

Bungee Pulley Assembly



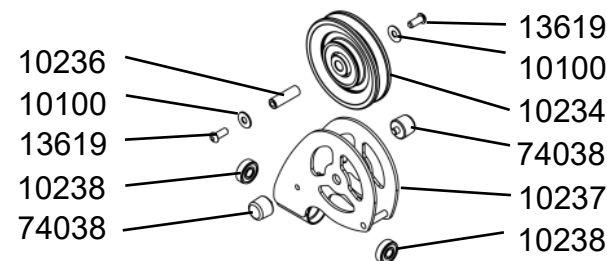
10100	2	Washer M6x16 - B
10231	2	L-Shaped Support Bracket
10232	1	Shaft 12x118 - Front
10233	1	Shaft 12x118 - Rear
10266	8	C Clip ISTW-12
13619	2	Dome Head Bolt M6x15 - B
62807	4	Dome Head Bolt M8x15 - B
65935	2	Nyloc Nut M6 - B
74109	2	Bungee Pulley with Bearing - L16

Rope Pulley Assembly - Rear



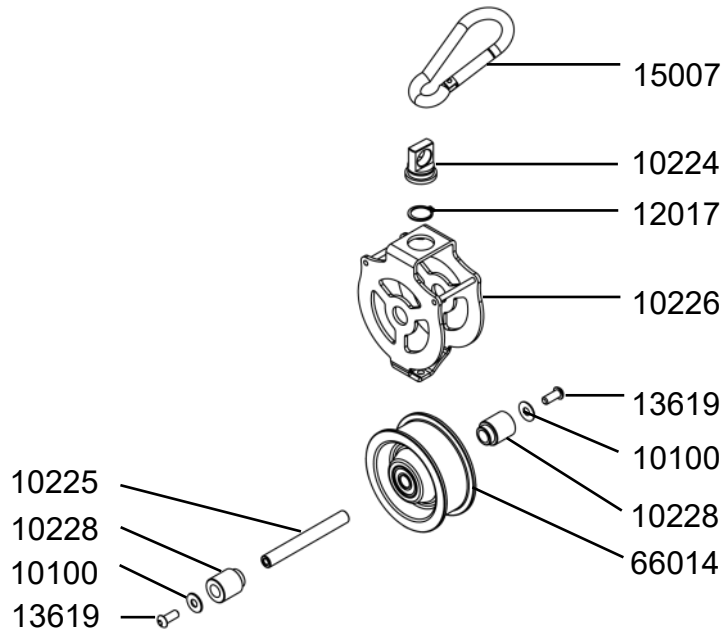
10100	2	Washer M6x16 - B
10234	1	Pulley 90mm
10235	1	U-Shaped Pulley Cover - Orange
10236	1	Shaft 9.5x31
10295	1	U-Shaped Pulley Cover - Gary
13619	2	Dome Head Bolt M6x15 - B
62807	4	Dome Head Bolt M8x15 - B

A268 Rope Pulley Assembly - Front



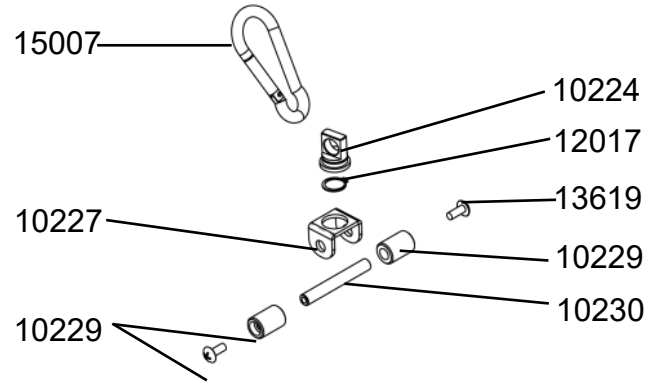
10100	2	Washer M6x16 - B
10234	1	Pulley 90mm
10236	1	Shaft 9.5x31
10237	1	Pulley Cover
10238	2	Bearing 608ZZ 8x22x7t
13619	2	Dome Head Bolt M6x15 - B
74038	2	Rubber Bumper

Belt Pulley Assembly



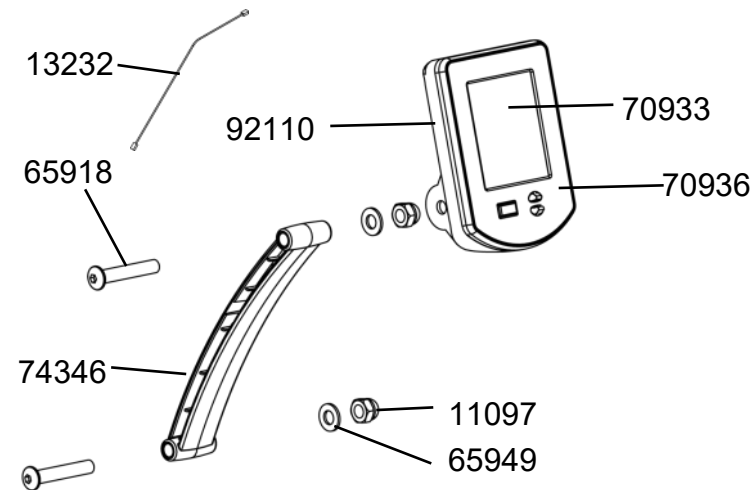
10100	2	Washer M6x16 - B
10224	1	Metal Hook Ring
10225	1	Shaft 10x85
10226	1	Belt Pulley Cover
10228	2	Plastic Bushing 10.5x20x25
12017	1	C Clip 20mm
13619	2	Dome Head Bolt M6x15 - B
15007	1	SNAP Hook 10mm SS304
66014	1	Belt Pulley with 6000zz Bearings Complete

Belt Hook Assembly



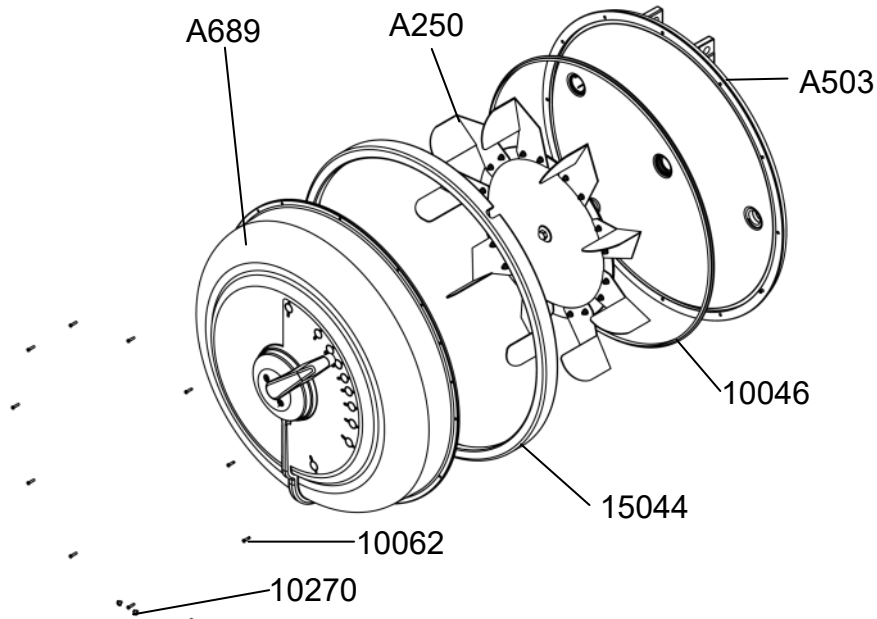
10224	1	Metal Hook Ring
10227	1	Metal Bracket
10229	2	Plastic Bushing 6.5x18x26
10230	1	Shaft 9.5x70
12017	1	C Clip 20mm
13619	2	Dome Head Bolt M6x15 - B
15007	1	SNAP Hook 10mm SS304

Computer Stalk Assembly



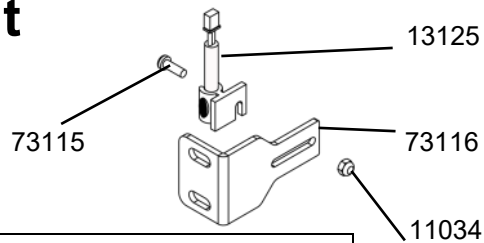
11097	2	Nut Dome Head M10 - B
13232	1	Computer Wiring 450mm
65918	2	Dome Head Bolt M10x60 - B
65949	2	Washer M10x21x2t - B
70933	1	LCD for Bluetooth Auto-Adjust Monitor
70936	1	Mambrane for Power Zone
74346	1	Computer Stalk
92110	1	Bluetooth Auto-Adjust Monitor

A252 Complete Tank Assembly



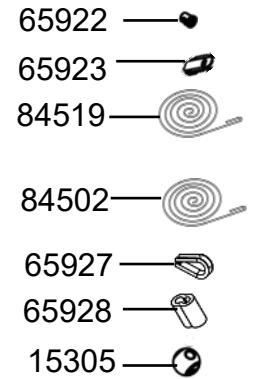
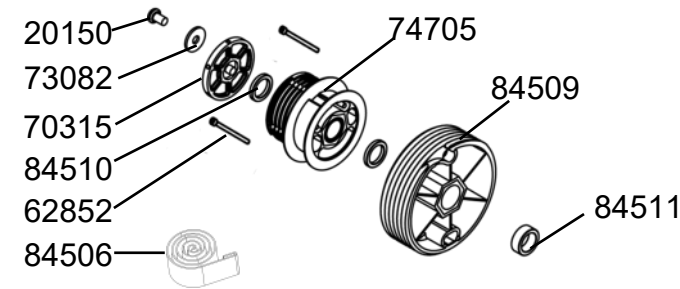
A250	1	Flywheel Complete Assembly
A503	1	Tank Back Kit - Black
A689	1	Tank Cover Assembly
10046	1	Tank Large Seal
10062	12	Round Head Phillips Screw M3x12 SUS
10270	2	Round Head Phillips Bolt M4x8 SUS
15044	1	Tank Outer Cover Ring - Black

A263 Sensor Kit



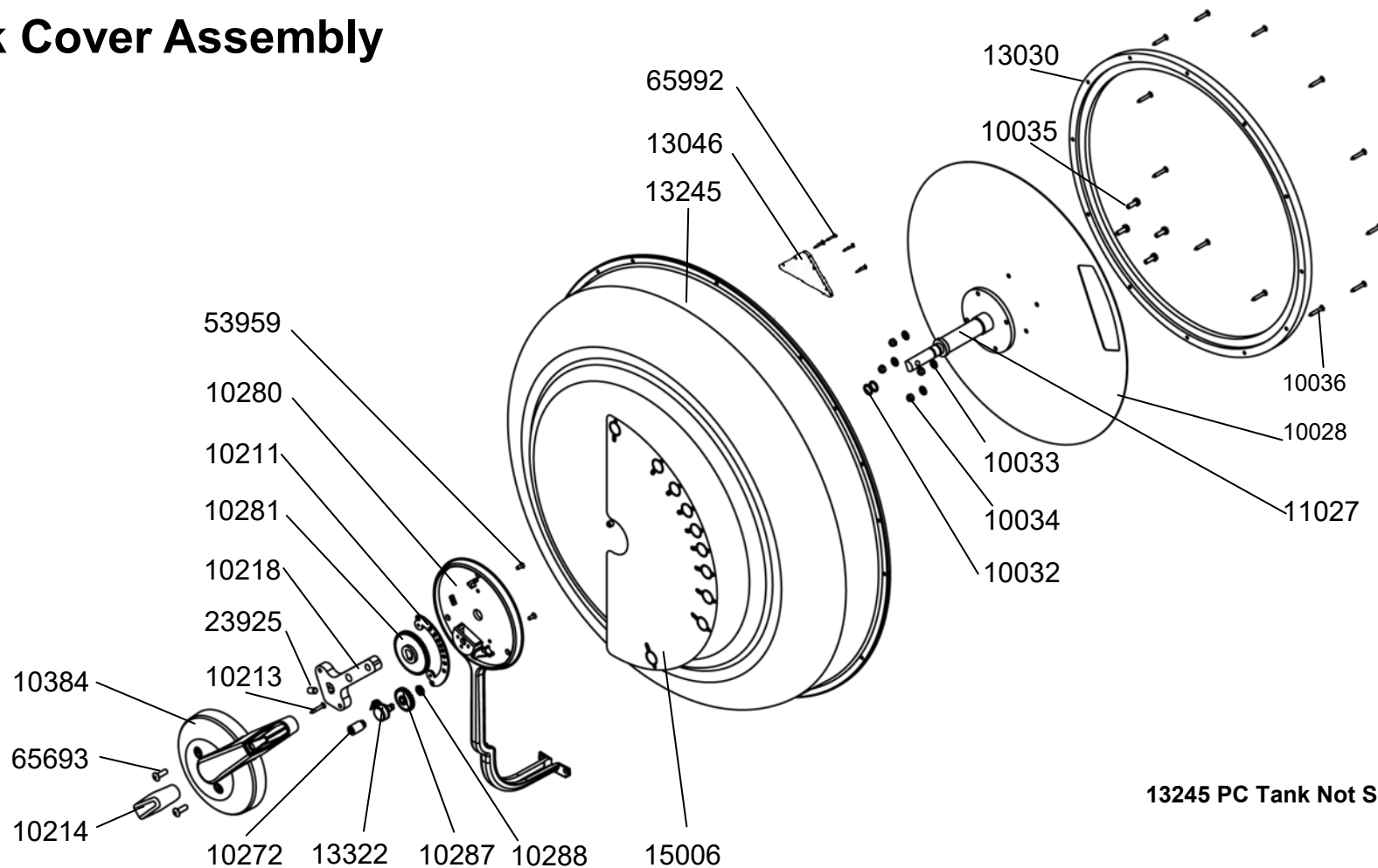
11034	1	Nut M4 -B
13125	1	Sensor Lead 45cm DT
73115	1	Round Head Phillips Screw M4x12
73116	1	Sensor Bracket

A282 Pulley Assembly



20150	1	Dome Head Bolt M10x15
62852	2	Hex Head Bolt M6x60 - B
70315	1	Magnetic Ring & Rare Earth Magnet #60124
73082	1	Washer 10.2x30x3t SUS
74705	1	One Way Bearings & Needle Bearings included for Belt/Bungee Pulley
84502	1	Dyneema 3440mm & Wire Rope Thimbles #65927 & Aluminum Sleeve #65928 & Rubber Ball # 15305 - Power Cube
84506	1	Belt 5360mm
84509	1	One Way Bearings & Needle Bearings included for Dyneema/Bungee Pulley
84510	2	Bushing 25x35x5t
84511	1	Bushing 25x35x13t
84519	2	Bungee 6mmx3120mm & Inner Clip #65922 & Hook #65923

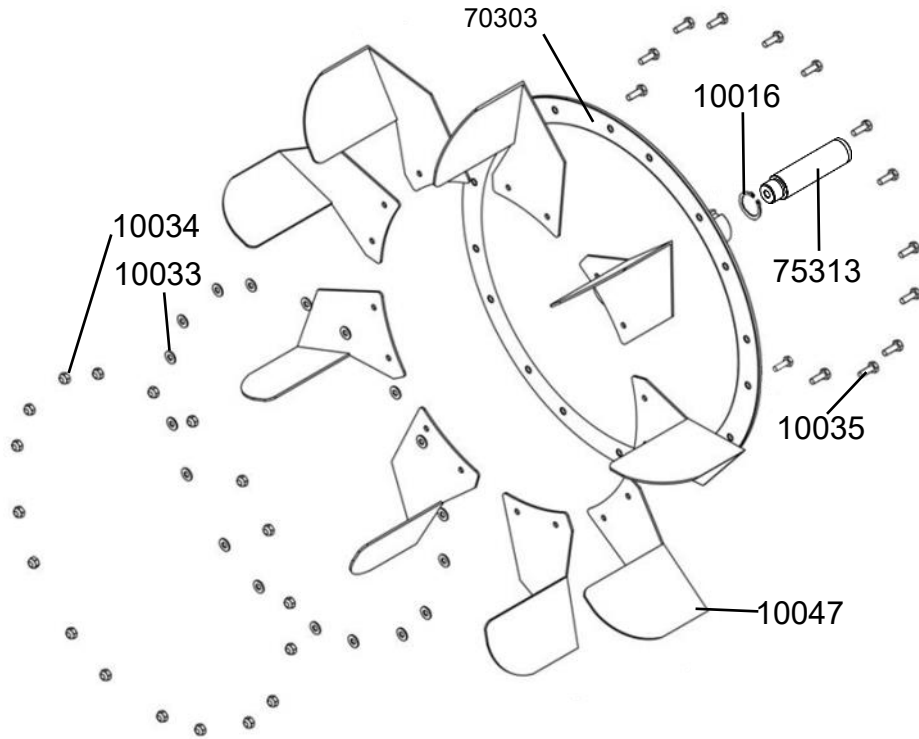
A689 Tank Cover Assembly



13245 PC Tank Not Sold Separately

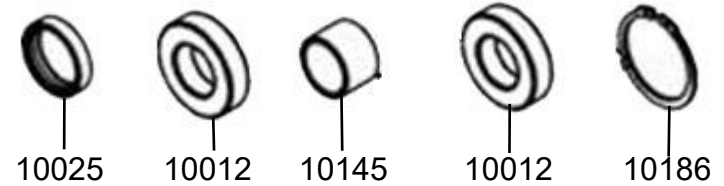
10028	1	Backing Plate 0.8mm SUS	10281	1	Gear M1T48
10032	2	Nylon Resistance Adjuster O Ring 12x9x1.5	10384	1	Adjuster Knob Set Gary incl. Cap #10214 & Screw #10213 & Ball Plunger #10272
10033	4	Washer 10x4.2x1 SUS	11027	1	Adjuster Handle Shaft
10034	4	Nut M4 SUS	13030	1	Adjuster PP Tank Ring 358x10
10035	4	Hex Bolt M4 SUS	13245	1	PC Tank Cover with Decal #15006 & Triangle plate #13046 & Bolts #65992
10036	12	Flat Tapping Screw M3x20 SUS	23925	1	Grub Screw M6x10
10211	1	Locating Plate	53959	2	Counter Sunk Bolt M3x8 -SUS
10218	1	Adjuster Handle	65693	2	Dome Head Bolt M5x15 - B
10280	1	Lever Base incl. Potentiometer, #13322 Gear #10287 & Nut #10288			

A250 Flywheel Assembly



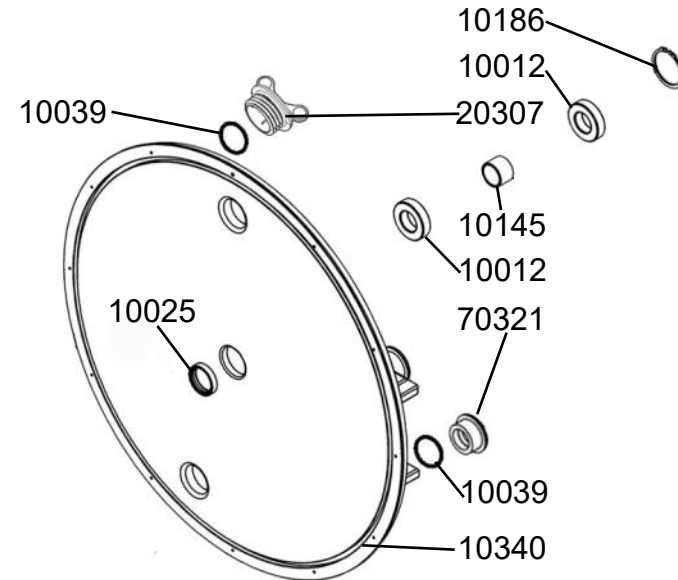
10016	1	C Clip STW-25
10033	18	Washer 10x4.2x1 SUS
10034	18	Nut M4 SUS
10035	18	Hex Bolt M4 SUS
10047	9	Impeller Blade
70303	1	Flywheel - E316/VX2/E520/VX3
75313	1	Impeller Shaft 252mm

A012 Tank Bearing & Seal Kit

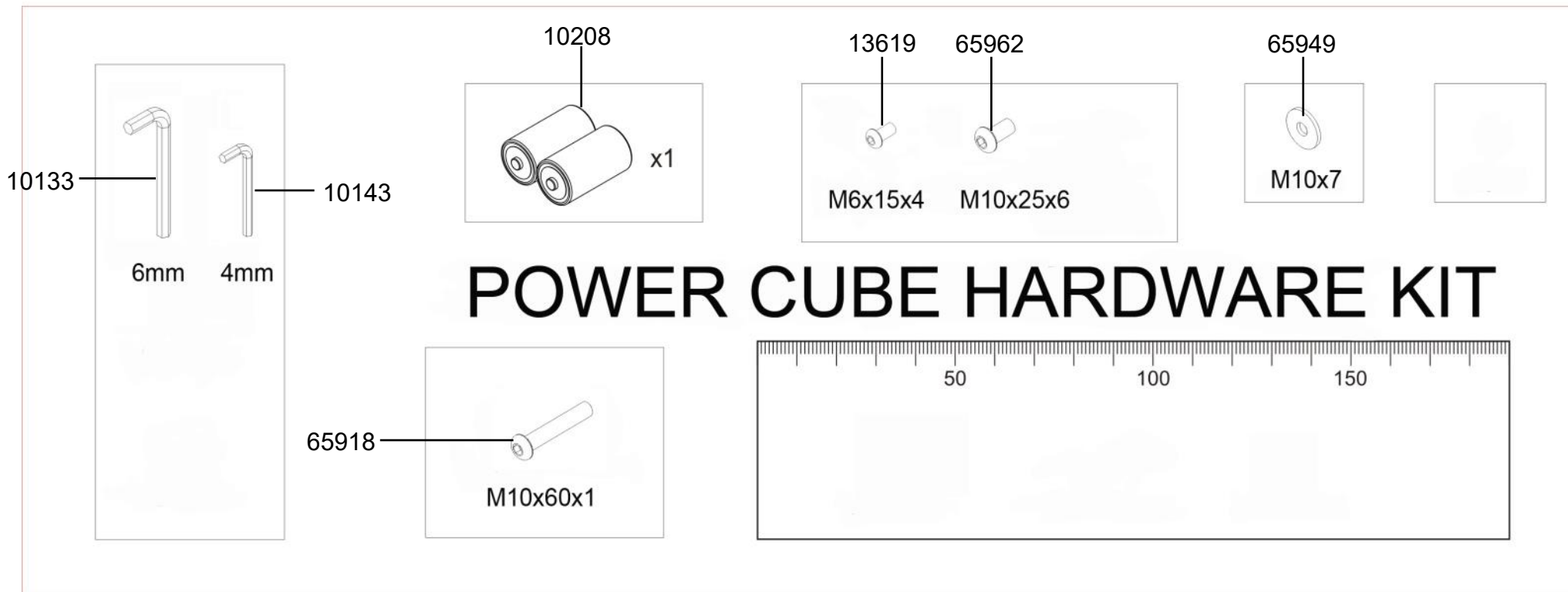


10012	2	Bearing NSK6005ZZ
10025	1	Seal NBR 37x30x8t for Flywheel Shaft
10145	1	Bearing Spacer 30x25.1x20.5mm
10186	1	C Clip RTW-48

A503 Tank Back Kit - Black



10012	2	Bearing NSK6005ZZ
10025	1	Seal NBR 37x30x8t for Flywheel Shaft
10145	1	Bearing Spacer 30x25.1x20.5mm
10186	1	C Clip RTW-48
10340	1	Tank Back - Black
20307	1	Tank Plug Black with O-Ring #10039
70321	1	Tank Plug Black with O Ring #10039



POWER CUBE HARDWARE KIT

10133	1	Allen Key 6mm
10143	1	Allen Key 4mm
10208	1	D Cell Duracell Battery
13619	4	Dome Head Bolt M6x15 - B
65918	1	Dome Head Bolt M10x60 - B
65949	7	Washer M10x21x2t - B
65962	6	Dome Head Bolt M10x25 - B