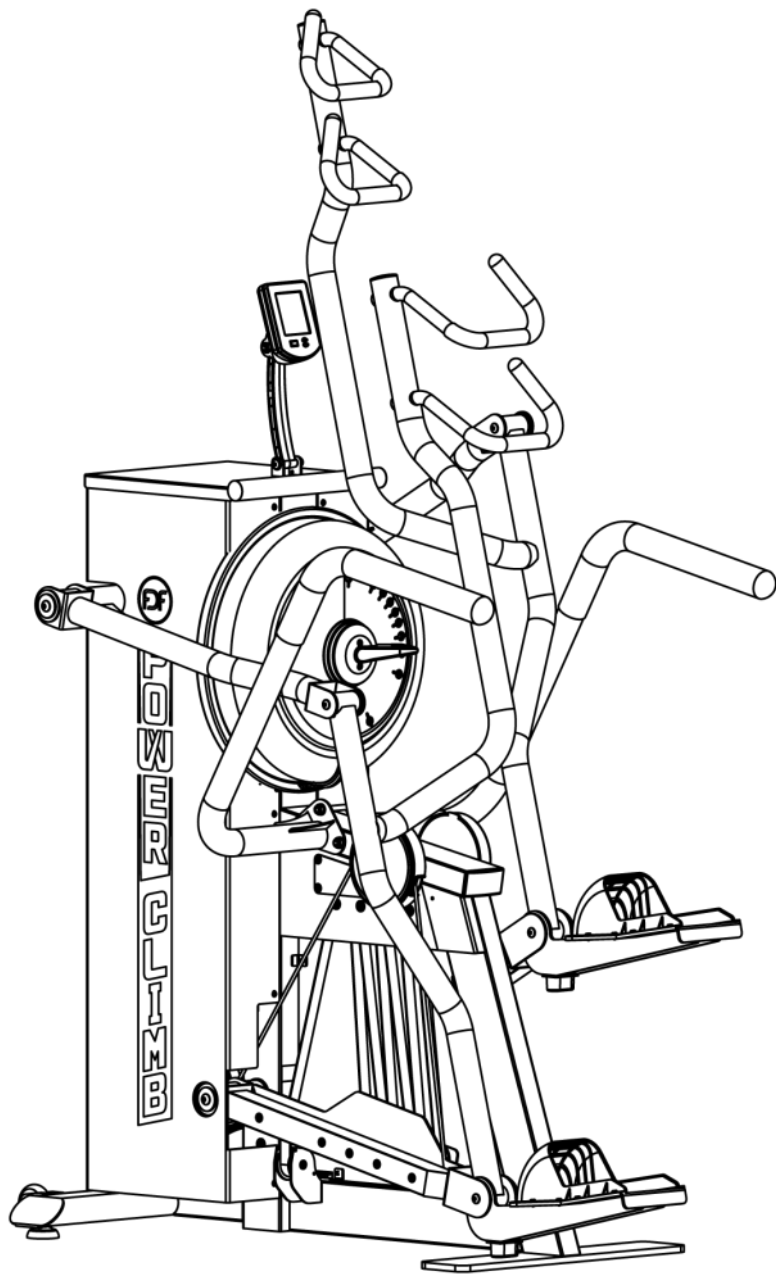
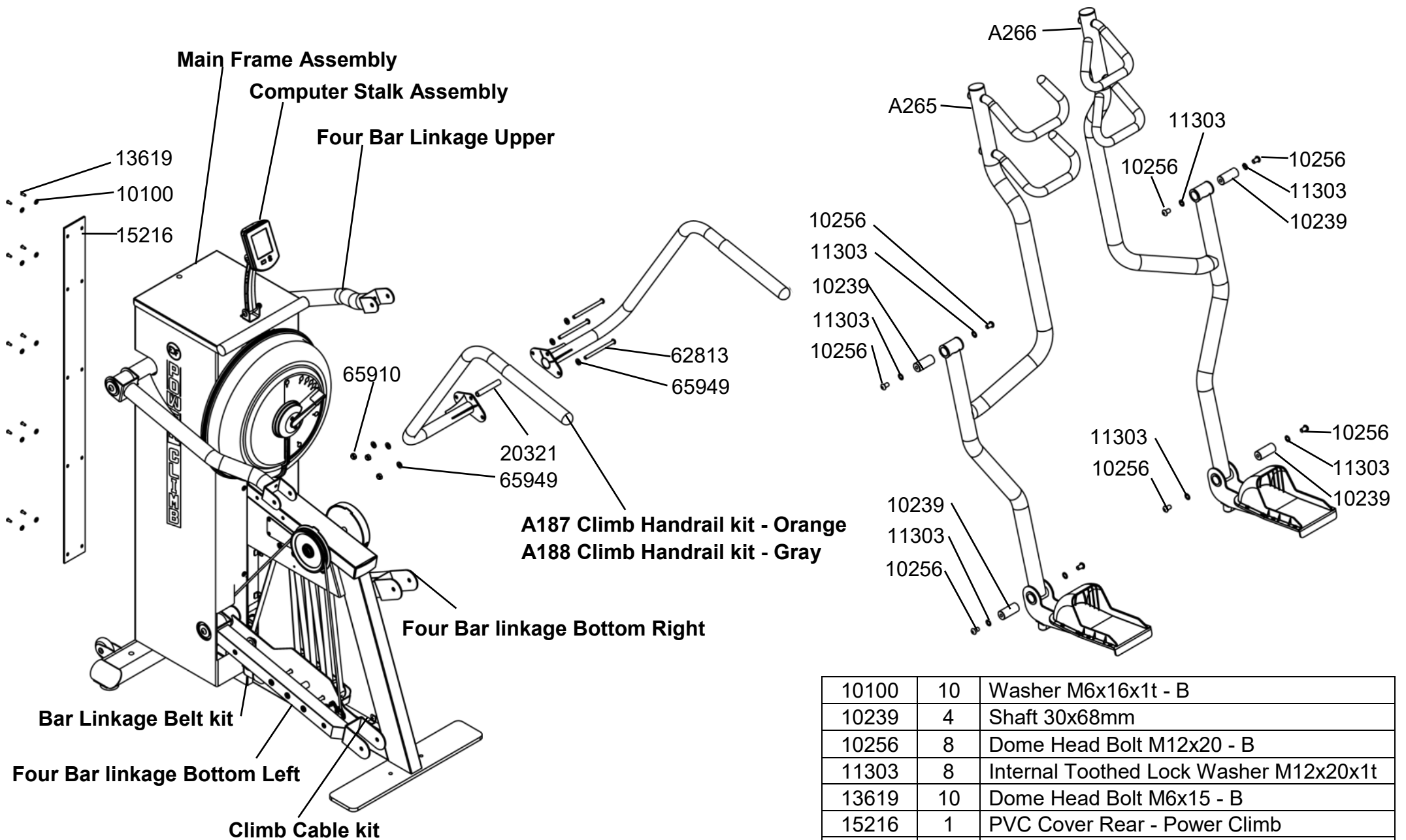


POWERCLIMB

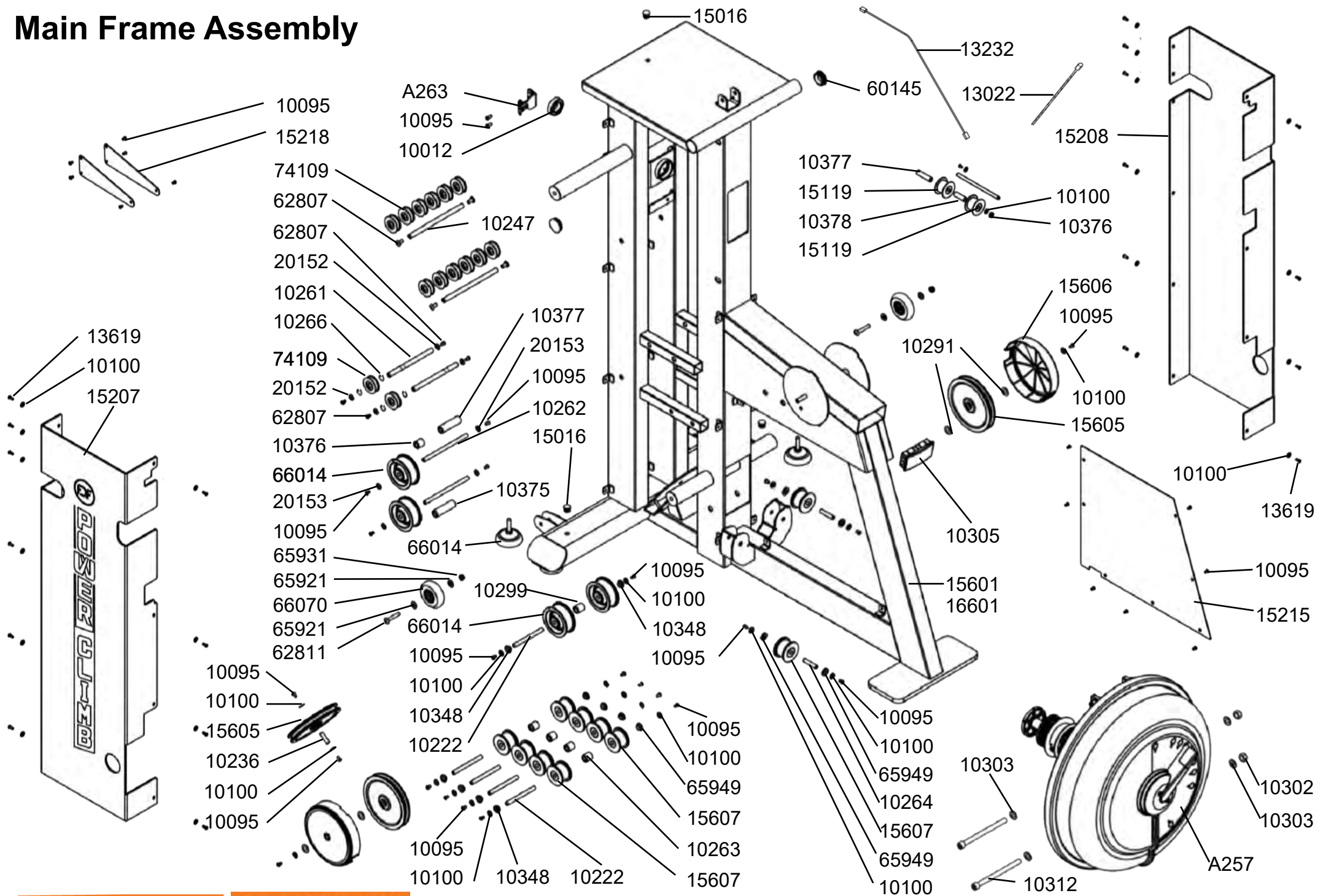
Exploded Diagram





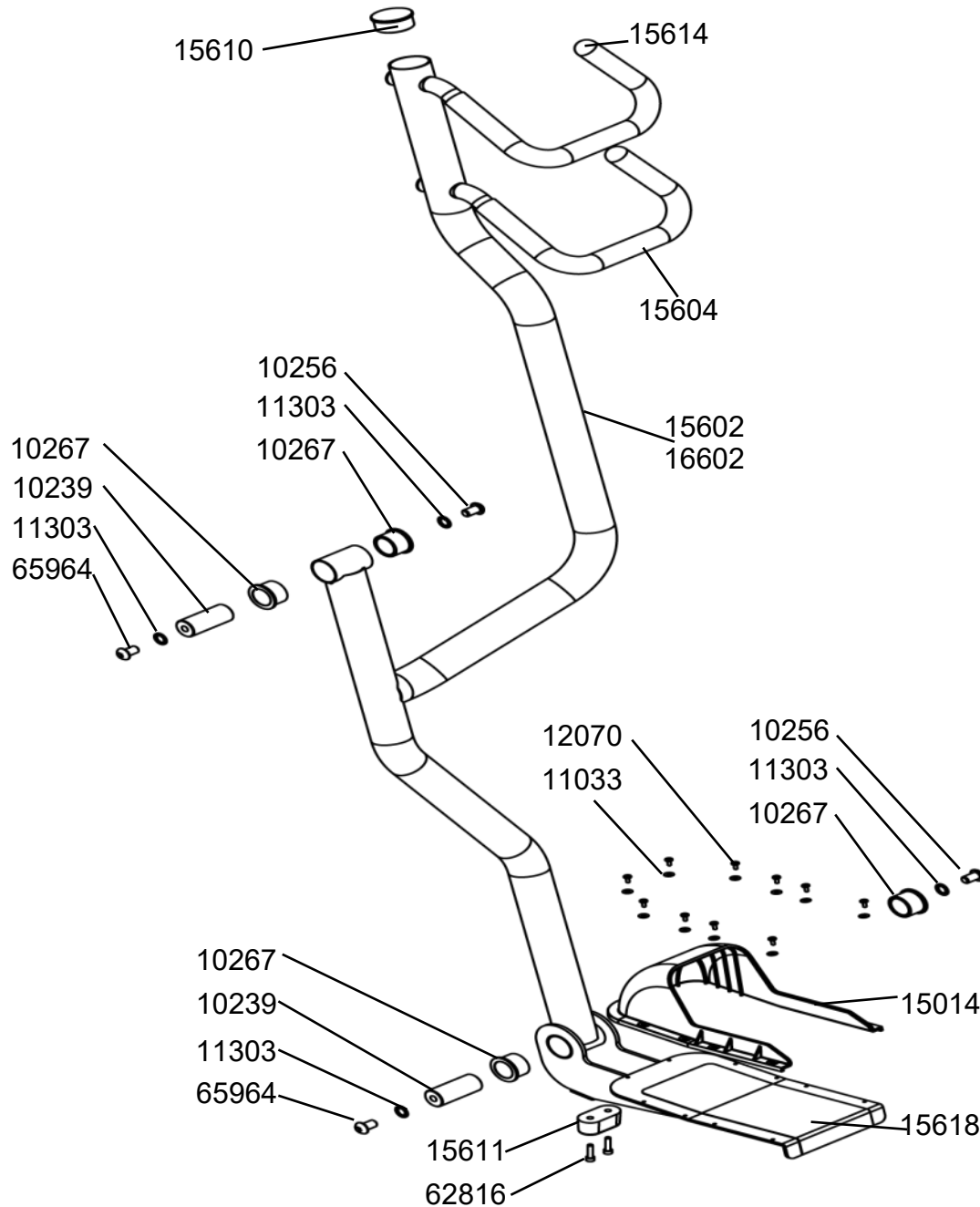
10100	10	Washer M6x16x1t - B
10239	4	Shaft 30x68mm
10256	8	Dome Head Bolt M12x20 - B
11303	8	Internal Toothed Lock Washer M12x20x1t
13619	10	Dome Head Bolt M6x15 - B
15216	1	PVC Cover Rear - Power Climb
20321	1	Bushing 10.5x16x100mm
62813	3	Hex Head Bolt M10x130 - B
65910	3	Nyloc Nut M10 - B
65949	6	Washer M10x21x2t - B

Main Frame Assembly



10012	1	Bearing NSK6005ZZ	15119	2	Idle Wheel & Bearing 6000ZZ x 2 #60112
10095	37	Dome Head Bolt M6x10 - B	15207	1	PVC Cover Left with Decal #15009 - Power Climb
10100	39	Washer M6x16x1t - B	15208	1	PVC Cover Right with Decal #15009 - Power Climb
10222	5	Shaft 10x104mm	15215	1	PVC Cover Lower - Power Climb
10236	1	Shaft 9.5x31mm	15218	2	PVC Cover Triangle- Power Climb
10247	2	Shaft 12x195L	15601	1	Main Frame - Power Climb Orange
10261	2	Shaft 12x160mm	15605	2	Pulley 152x17x19.3t
10262	2	Shaft 10x160mm	15606	2	Pulley Cap - Power Climb
10263	4	Bushing 10x20x20.5	15607	10	Belt Pulley 62x20x35 - Power Climb
10264	2	Shaft 9.5x45mm	15612	1	Tension Cable 2890mm
10265	1	Shaft 10x181mm	15619	1	Pulley 152x17x25t
10266	4	C clip 12mm	16601	1	Main Frame - Power Climb Gray
10291	4	Spacer 17.1x24x7	20007	2	Foot Levelers M8x30 Hardened Rubber
10299	1	Bushing 14.5x11x21mm	20152	4	M8 Star Washer
10302	2	Nyloc Nut M12 - B	20153	4	M6 Star Washer
10303	4	Washer M13x24x2t - B	60145	2	End Cap 38.1
10305	1	Curved End Cap 100x50	62807	8	Dome Head Bolt M8x15 - B
10312	2	Hex Head Bolt M12x150 - B	62811	2	Dome Head Bolt M8x45 - B
10348	10	Bushing 20x10.5x7mm	62812	1	Hex Head Bolt M6x15 - B
10375	1	Bushing 10x17x58	65921	4	Washer M8.5x19x1.6t - B
10376	1	Bushing 10x14.5x6	65931	2	Nyloc Nut M8 - B
10377	1	Bushing 10x14.5x58	64949	4	Washer M10x21x2t - B
13022	1	Computer Wiring 800mm	66014	4	Belt Pulley with 6000zz Bearings Complete
13229	1	Level Wiring 900mm	66070	2	Transport Wheel
13232	1	Computer Wiring 450mm	74109	14	Bungee Pulley with Bearing
13619	20	Dome Head Bolt M6x15 - B	A257	1	Complete Tank Assembly -Power CLIMB
15016	3	End Cap 11mm	A263	1	Sensor Kit

A265 Left Pedal Assembly - Orange



10239	2	Shaft 30x68mm
10256	4	Dome Head Bolt M12x20 - B
10267	4	Bushing 44x30x25 – 3.2t
11033	10	Washer M4.2x10x1t - B
11303	4	Internal Toothed Lock Washer M12x20x1t
12070	10	Round Head Phillips Screw M4x10 - B
15014	1	Foot Cap for Power Climb
15602	1	Orange Left Pedal Frame & Grip #15604& Cap 50.8mm #15610 & Cap 25.4mmx2t #15614& Washer #11033x10 & Screw #12070x10
15604	2	Handle Grip - Power Climb
15610	1	End Cap 50.8mm
15611	1	Rubber Feet
15614	2	End Cap 25.4mmx2t
15618	1	Non Skid for Foot Cap
62816	2	Hex Head Bolt M6x25 - B

A465 Left Pedal Assembly - Gray

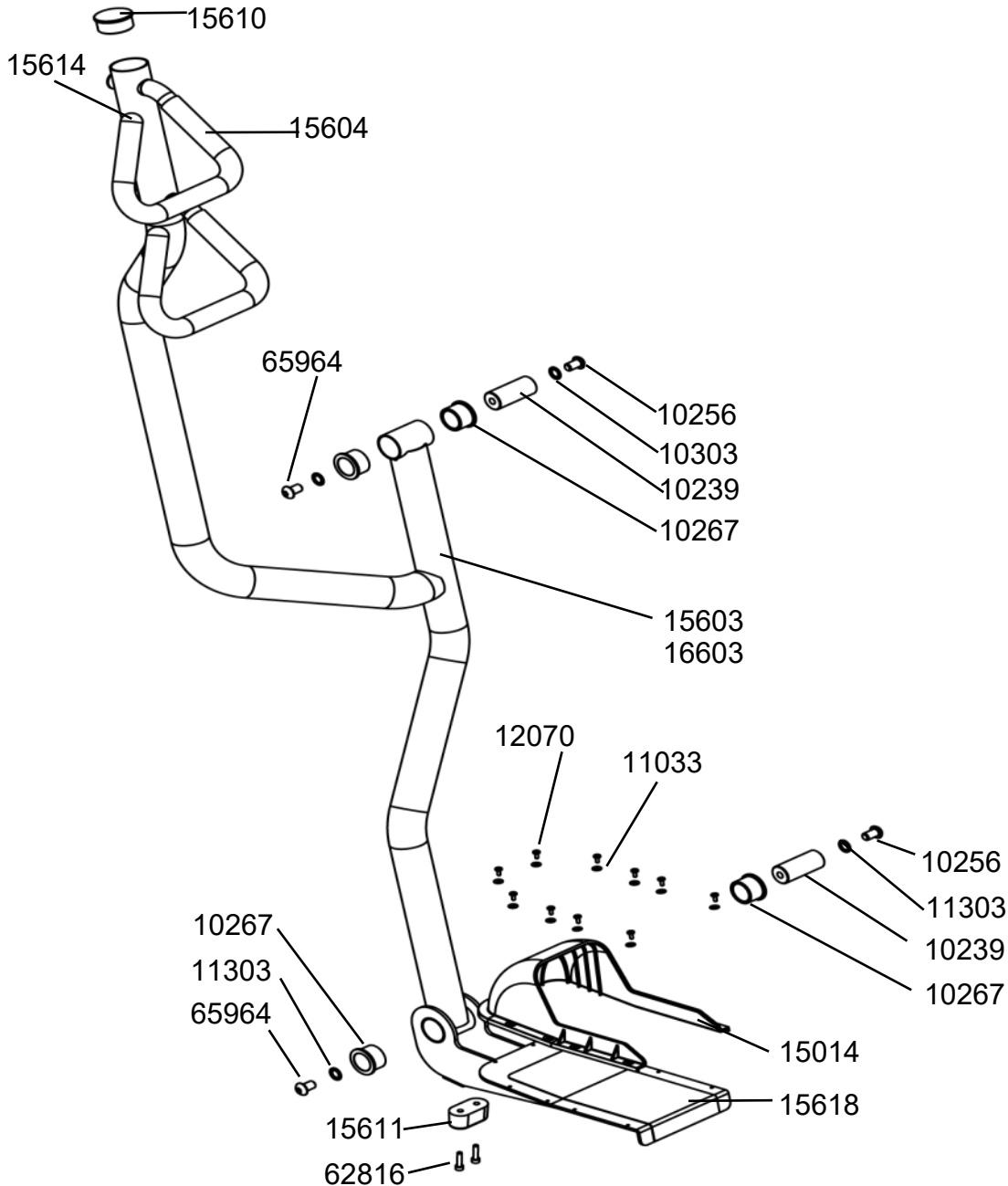
10239	2	Shaft 30x68mm
10256	4	Dome Head Bolt M12x20 - B
10267	4	Bushing 44x30x25 – 3.2t
11033	10	Washer M4.2x10x1t - B
11303	4	Internal Toothed Lock Washer M12x20x1t
12070	10	Round Head Phillips Screw M4x10 - B
15014	1	Foot Cap for Power Climb
15604	2	Handle Grip - Power Climb
15610	1	End Cap 50.8mm
15611	1	Rubber Feet
15614	2	End Cap 25.4mmx2t
15618	1	Non Skid for Foot Cap
16602	1	Gray Left Pedal Frame & Grip #15604& Cap 50.8mm #15610 & Cap 25.4mmx2t #15614& Washer #11033x10 & Screw #12070x10
62816	2	Hex Head Bolt M6x25 - B

A266 Right Pedal Assembly - Orange

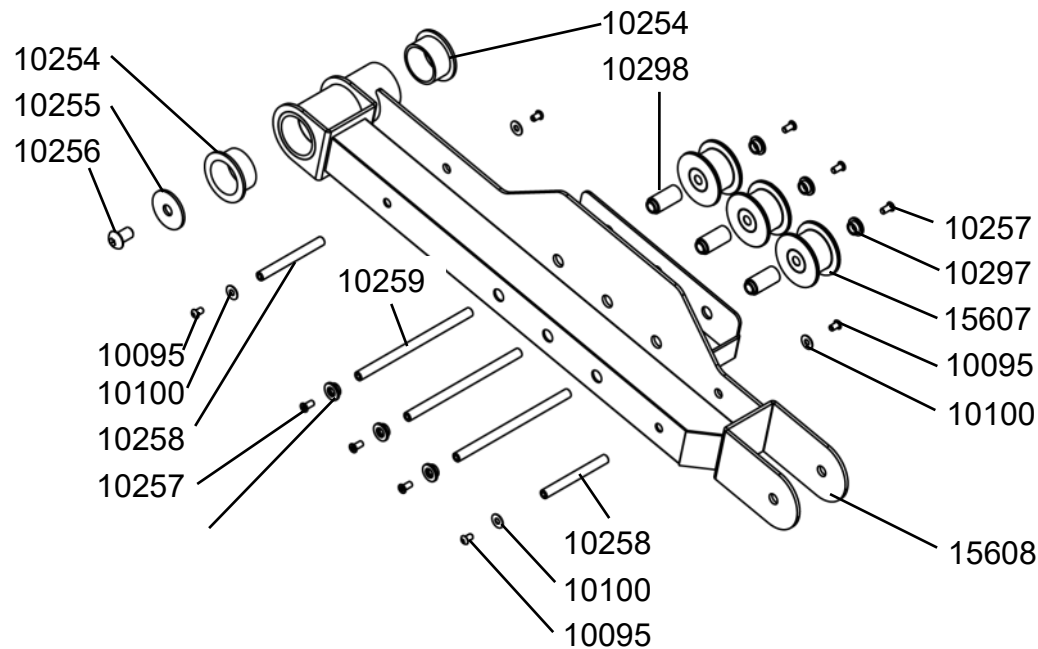
10239	2	Shaft 30x68mm
10256	4	Dome Head Bolt M12x20 - B
10267	4	Bushing 44x30x25
11033	10	Washer M4.2x10x1t - B
11303	4	Internal Toothed Lock Washer M12x20x1t
12070	10	Round Head Phillips Screw M4x10 - B
15014	1	Foot Cap for Power Climb
15603	1	Orange Right Pedal Frame & Grip #15604 & Cap 50.8mm #15610 & Cap 25.4mmx2t #15614 & Washer #11033x10 & Screw #12070x10
15604	2	Handle Grip - Power Climb
15610	1	End Cap 50.8mm
15611	1	Rubber Feet
15614	2	End Cap 25.4mmx2t
15618	1	Non Skid for Foot Cap
62816	2	Hex Head Bolt M6x25 - B

A466 Right Pedal Assembly - Gray

10239	2	Shaft 30x68mm
10256	4	Dome Head Bolt M12x20 - B
10267	4	Bushing 44x30x25
11033	10	Washer M4.2x10x1t - B
11303	4	Internal Toothed Lock Washer M12x20x1t
12070	10	Round Head Phillips Screw M4x10 - B
15014	1	Foot Cap for Power Climb
15604	2	Handle Grip - Power Climb
15610	1	End Cap 50.8mm
15611	1	Rubber Feet
15614	2	End Cap 25.4mmx2t
15618	1	Non Skid for Foot Cap
16603	1	Gray Right Pedal Frame & Grip #15604 & Cap 50.8mm #15610 & Cap 25.4mmx2t #15614 & Washer #11033x10 & Screw #12070x10
62816	2	Hex Head Bolt M6x25 - B

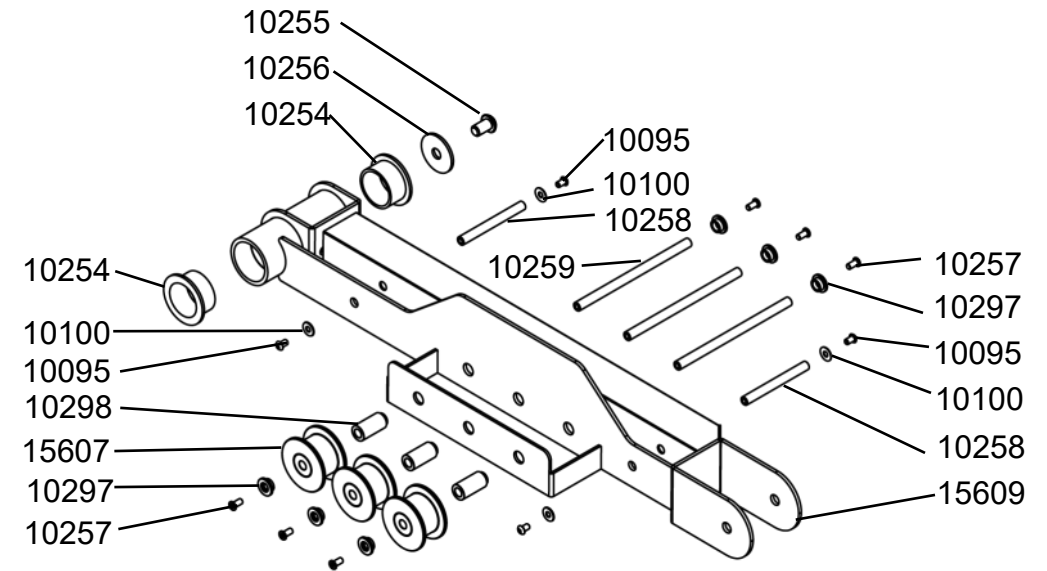


Four Bar Linkage Bottom - Left



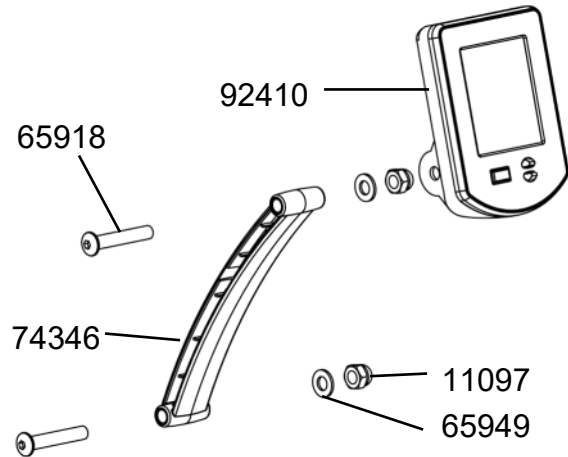
10095	4	Dome Head Bolt M6x10 - B
10100	4	Washer M6x16x1t - B
10254	2	Bushing 40x60x25mm
10255	1	Washer M12x45
10256	1	Dome Head Bolt M12x20 - B
10257	6	Flat Head Bolt M6x10 - B
10258	2	Shaft 9.5x93mm
10259	3	Shaft 9.5x167mm
10297	6	Bushing 20x6.5x7.5mm
10298	3	Bushing 18x10.1x37.5mm
15607	3	Belt Pulley ϕ 62x20x35 & Bearing 6000ZZ#60112x2
15608	1	Four Bar Linkage Bottom with Decal #13632 - Left

Four Bar Linkage Bottom - Right



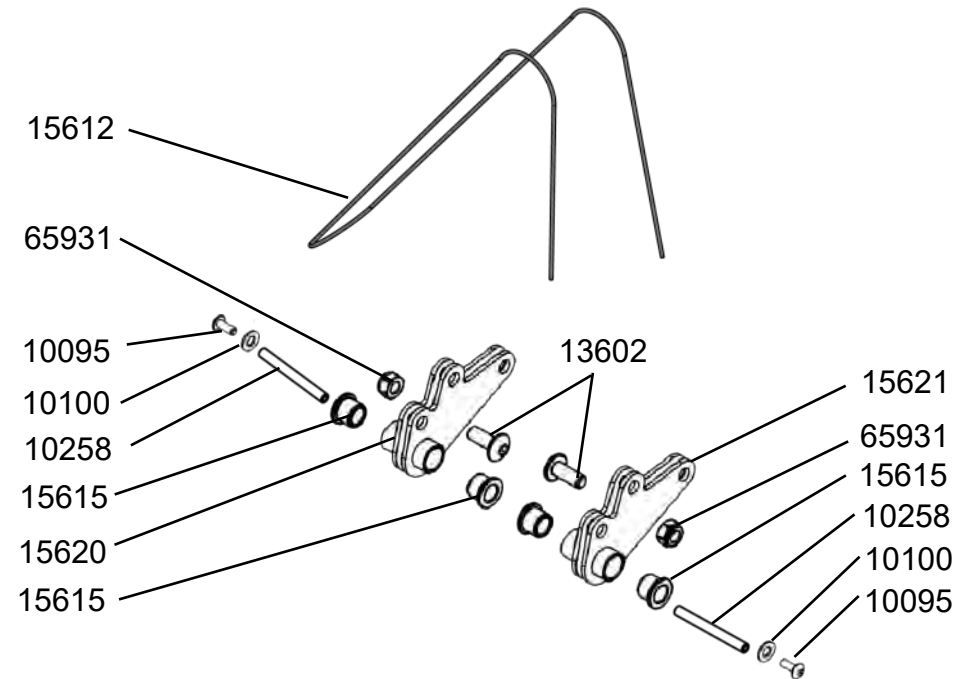
10095	4	Dome Head Bolt M6x10 - B
10100	4	Washer M6x16x1t - B
10254	2	Bushing 40x60x25mm
10255	1	Washer M12x45
10256	1	Dome Head Bolt M12x20 - B
10257	6	Flat Head Bolt M6x10 - B
10258	2	Shaft 9.5x93mm
10259	3	Shaft 9.5x167mm
10297	6	Bushing 20x6.5x7.5mm
10298	3	Bushing 18x10.1x37.5mm
15607	3	Belt Pulley ϕ 62x20x35 & Bearing 6000ZZ#60112x2
15609	1	Four Bar Linkage Bottom with Decal #13632- Right

Computer Stalk Assembly



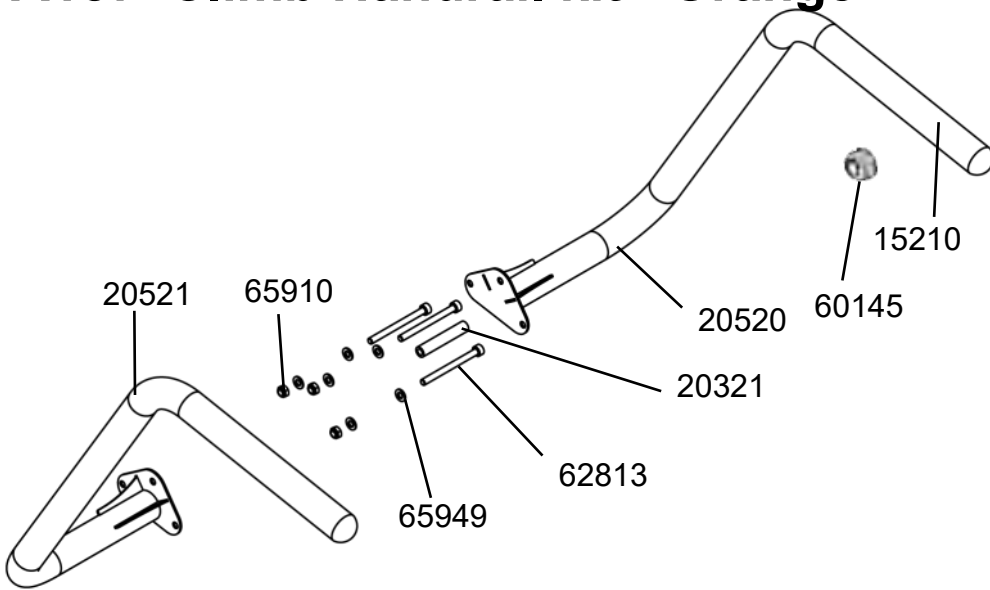
11097	2	Nut Dome Head M10 - B
65918	2	Dome Head Bolt M10x60 - B
65949	2	Washer M10x21x2t - B
74346	1	Computer Stalk
92410	1	Bluetooth Auto-Adjust Monitor

A179 Climb Cable kit



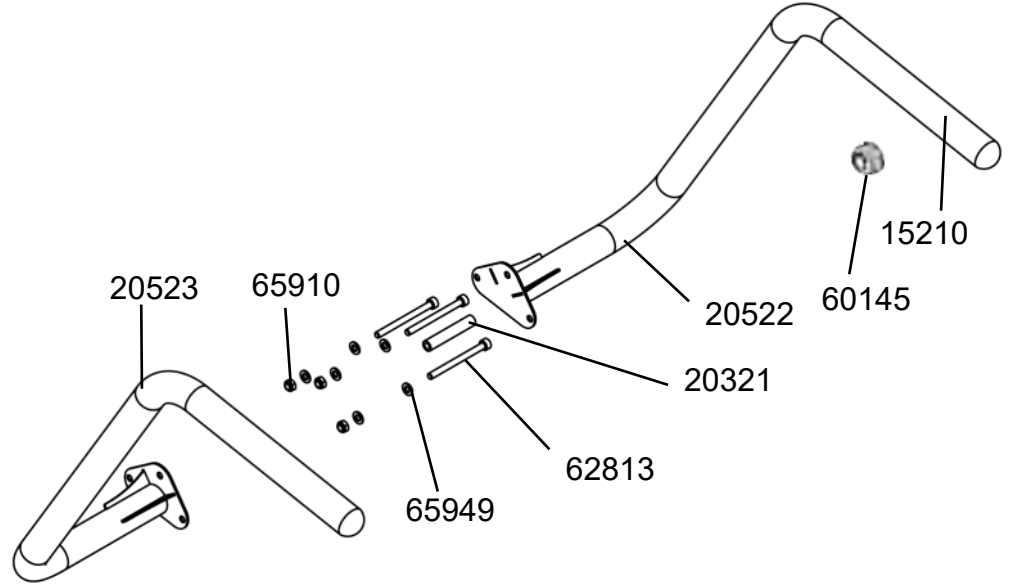
10095	2	Dome Head Bolt M6x10 - B
10100	2	Washer M6x16x1t - B
10258	2	Shaft 9.5x93mm
13602	2	Dome Head Bolt M8x20 - B
15612	1	Tension Cable 2844mm - Power Climb
15615	4	Bushing - Ø16xØ14xØ10x12
15620	1	Bushing - Left
15621	1	Bushing - Right
65931	2	Nyloc Nut M8 - B

A187 Climb Handrail kit - Orange



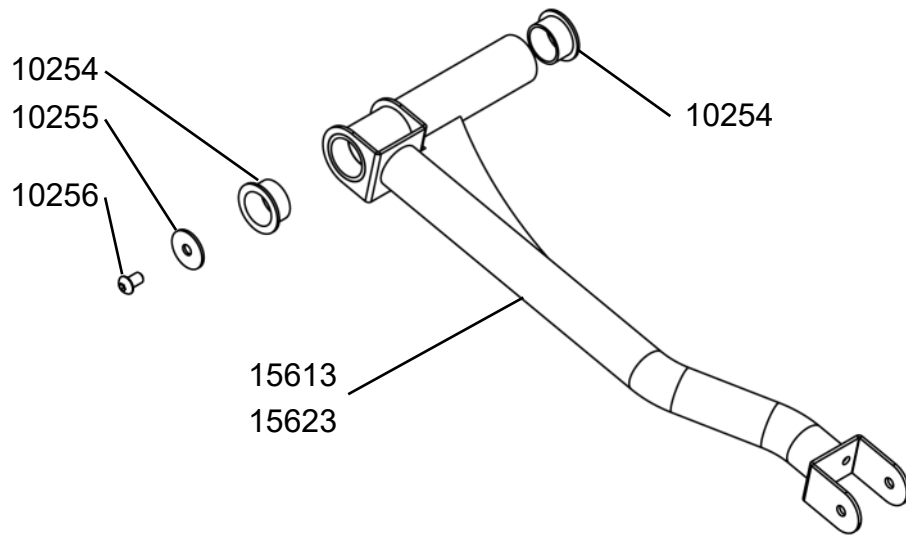
20321	1	Bushing 10.5x16x100mm
20520	1	Climb Right Handrail-Orange with Cap #60145 & Grip #15210
20521	1	Climb Left Handrail-Orange with Cap #60145 & Grip #15210
62813	3	Hex Head Bolt M10x130 - B
65910	3	Nyloc Nut M10 - B
65949	6	Washer M10x21x2t - B

A188 Climb Handrail kit - Gray



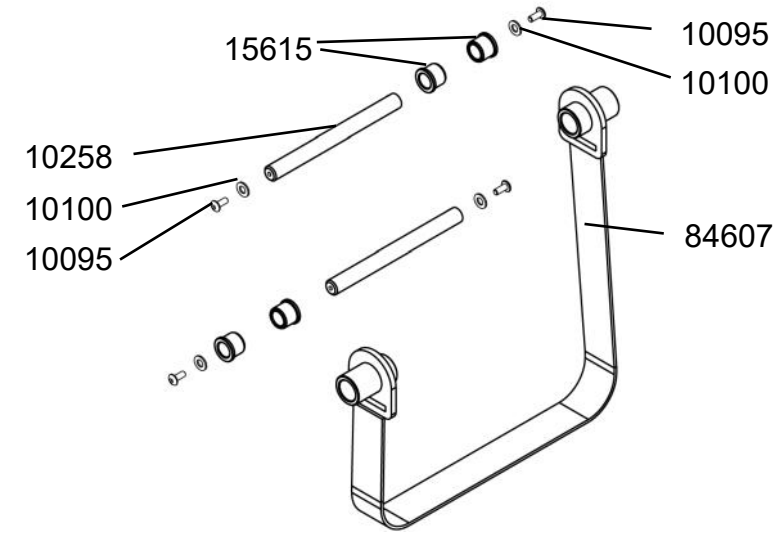
20321	1	Bushing 10.5x16x100mm
20522	1	Climb Right Handrail-Gray with Cap #60145 & Grip #15210
20523	1	Climb Left Handrail-Gray with Cap #60145 & Grip #15210
62813	3	Hex Head Bolt M10x130 - B
65910	3	Nyloc Nut M10 - B
65949	6	Washer M10x21x2t - B

Four Bar Linkage Upper –L/R



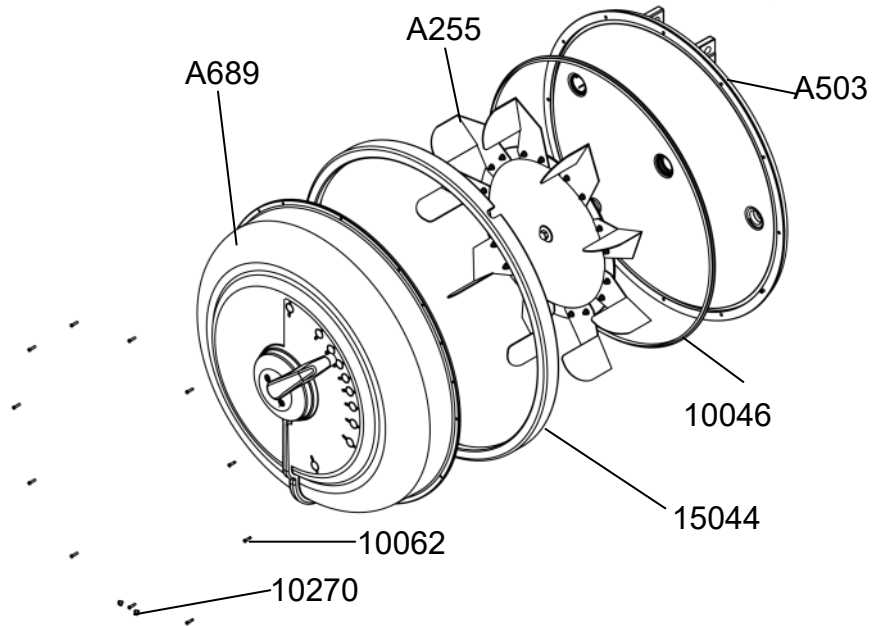
10254	4	Bushing § 58x § 46x § 40x25
10255	2	Washer M12x45
10256	2	Dome Head Bolt M12x20 - B
15613	2	Four Bar Linkage Upper - Orange
15623	2	Four Bar Linkage Upper - Gray

A166 Bar Linkage Belt kit



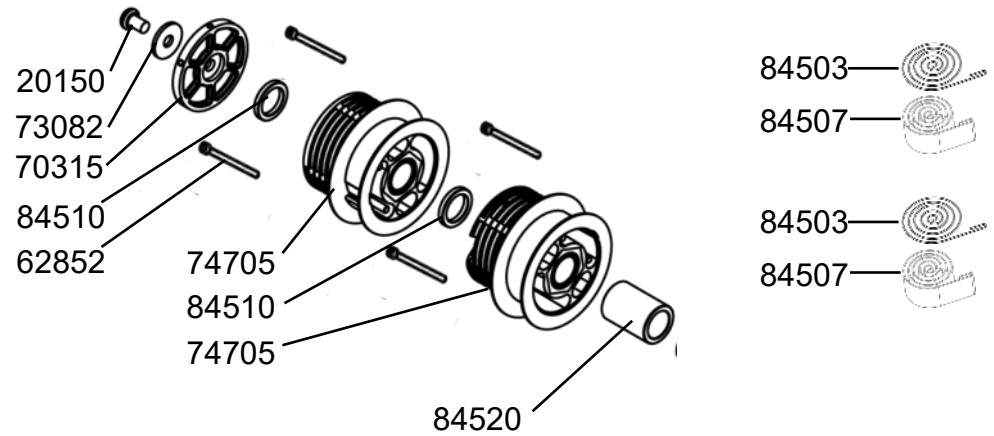
10095	4	Dome Head Bolt M6x10 - B
10100	4	Washer M6x16x1t - B
10258	2	Heat treatment Shaft9.8x93mm
15615	4	Bushing - Ø16xØ14xØ10x12
84607	1	Belt with Fixed piece - PZ-CLI

A257 Complete Tank Assembly



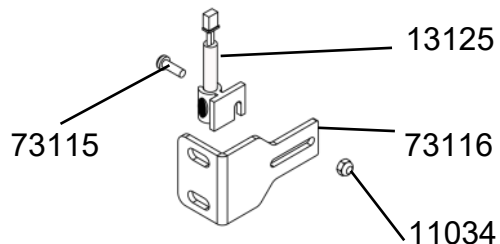
A255	1	Flywheel Complete Assembly
A503	1	Tank Back Kit - Black
A689	1	Tank Cover Assembly
10046	1	Tank Large Seal
10062	12	Round Head Phillips Screw M3x12 SUS
10270	2	Round Head Phillips Bolt M4x8 SUS
15044	1	Tank Outer Cover Ring - Black

A288 Pulley Assembly



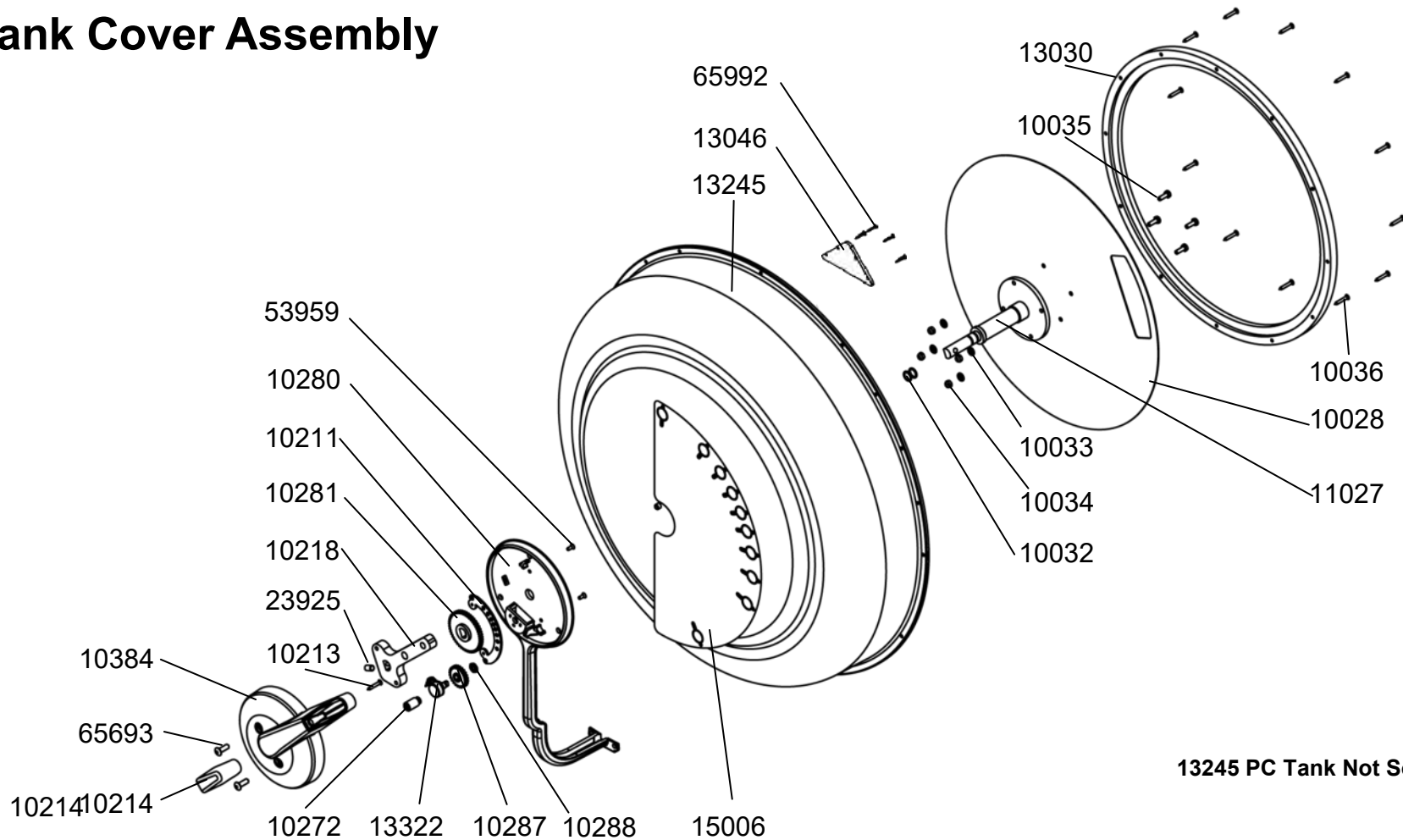
20150	1	Dome Head Bolt M10x15
62852	4	Hex Head Bolt M6x60 - B
70315	1	Magnetic Ring & Rare Earth Magnet #70319
73082	1	Washer 10.2x30x3t SUS
74705	2	One Way Bearings & Needle Bearings included for Belt/Bungee Pulley
84503	2	Bungee 8mmx4060mm Climb
84507	2	Belt 4900mm - Power Climb
84510	2	Bushing 25x35x5t
84520	1	Bushing 25x35x64t

A263 Sensor Kit



11034	1	Nut M4 - B
13125	1	Sensor Lead 45cm DT
73115	1	Round Head Phillips Screw M4x12
73116	1	Sensor Bracket

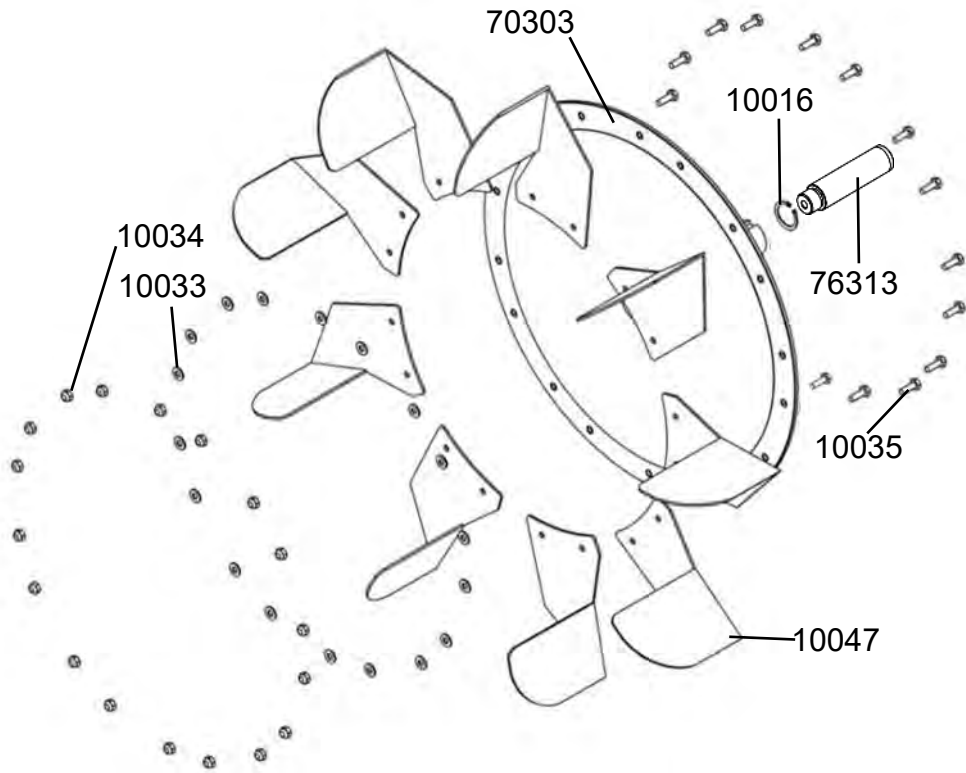
A689 Tank Cover Assembly



13245 PC Tank Not Sold Separately

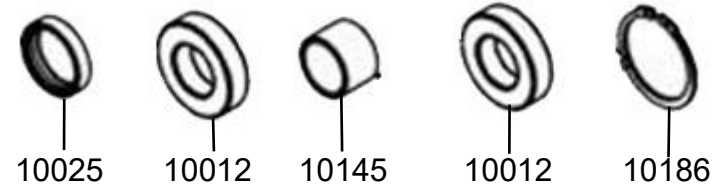
10028	1	Backing Plate 0.8mm SUS	10228	1	Gear M14x8
10032	2	Nylon Resistance Adjuster O Ring 12x9x1.5	10034	1	Adjuster Knob Set Carry inc. Cap #10214 & Screw #10213 & Ball Pinger #10272
10033	4	Washer 10x4.2x1 SUS	10227	1	Adjuster Handle Shaft
10034	4	Nut M4 SUS	10030	1	Adjuster PPF Tank Ring 35x19
10035	4	Hex Bolt M4 SUS	13245	1	PC Tank Cover with Decal #15006 & Triangle plate #13046 & Bolts #65992
10036	12	Flat Tapping Screw M3x20 SUS	23925	1	Grab Screw M6x19
10211	1	Locating Plate	53959	2	Counter Sunk Bolt M3x8 SUS
10218	1	Adjuster Handle	65693	2	Dome Head Bolt M5x15 BB
10280	1	Lever Base incl. Potentiometer, #13322 Gear #10287 & Nut #10288			

A255 Flywheel Assembly



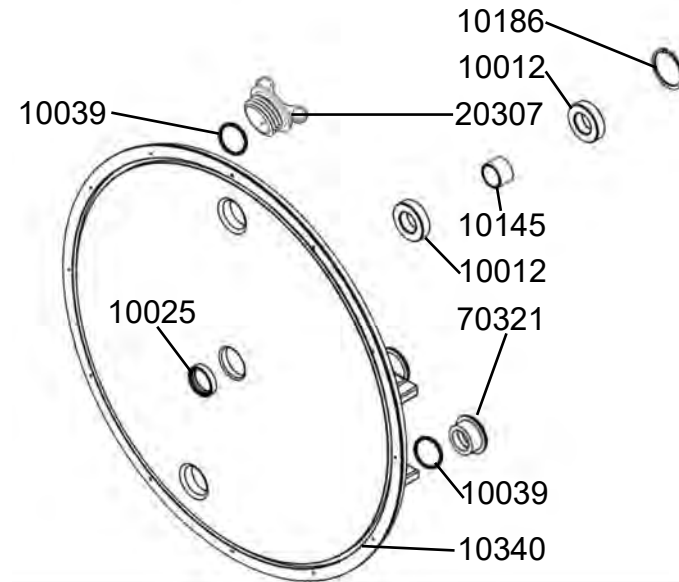
10016	1	C Clip STW-25
10033	18	Washer 10x4.2x1 SUS
10034	18	Nut M4 SUS
10035	18	Hex Bolt M4 SUS
10047	9	Impeller Blade
70303	1	Flywheel - E316/VX2/E520/VX3
76313	1	Impeller Shaft 328mm

A012 Tank Bearing & Seal Kit



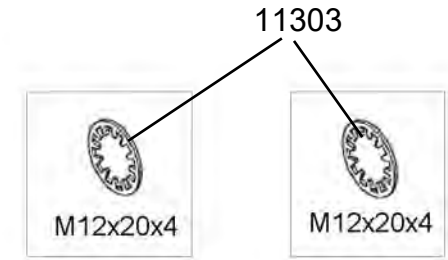
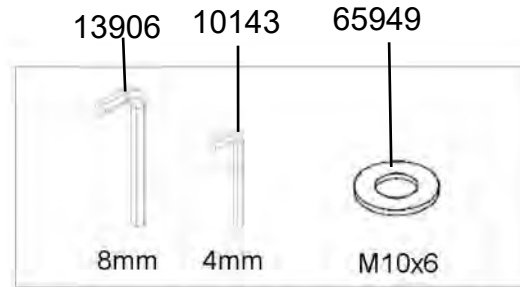
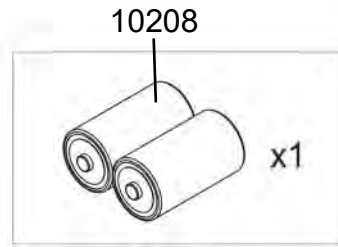
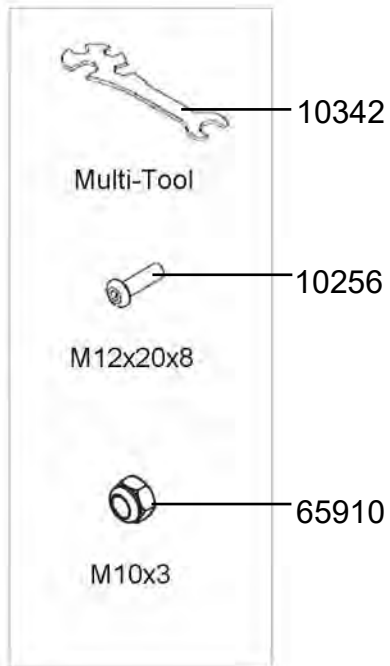
10012	2	Bearing NSK6005ZZ
10025	1	Seal NBR 37x30x8t for Flywheel Shaft
10145	1	Bearing Spacer 30x25.1x20.5mm
10186	1	C Clip RTW-48

A503 Tank Back Kit - Black

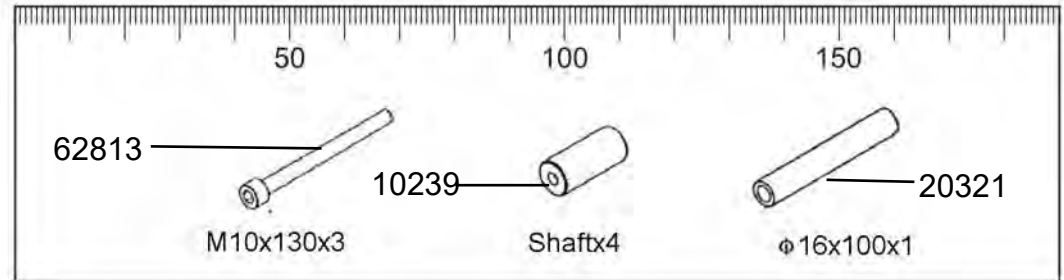
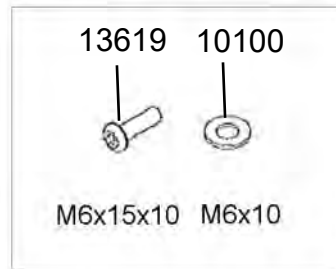


10012	2	Bearing NSK6005ZZ
10025	1	Seal NBR 37x30x8t for Flywheel Shaft
10145	1	Bearing Spacer 30x25.1x20.5mm
10186	1	C Clip RTW-48
10340	1	Tank Back - Black
20307	1	Tank Plug Black with O-ring #10039
70321	1	Tank Plug Black with O Ring #10039

HCLI Hardware Kit



POWER CLIMB HARDWARE KIT



10100	10	Washer M6x16x1t - B
10143	1	Allen Key 4mm
10208	1	D Cell Duracell Battery
10239	4	Shaft 30x68mm
10256	8	Dome Head Bolt M12x20 - B
10342	1	Multi-Wrench
11303	8	Internal Toothed Lock Washer M12x20x1t
13619	10	Dome Head Bolt M6x15 - B
13906	1	Allen Key 8mm
20321	1	Bushing 10.5x16x100mm
62813	3	Hex Head Bolt M10x130 - B
65910	3	Nyloc Nut M10 - B
65949	6	Washer M10x21x2t - B