

Hinge Replacement/ Conversion Guide

for Casement Windows

Limited Publication Release

Please read this guide completely before starting. For questions about this and other Andersen® products, call 1-888-888-7020.

For the most current version of this guide visit www.andersenwindows.com. Consult your local building code official for applicable building codes and regulations. Thank you for choosing Andersen® products.

Please leave this information with homeowner.

Parts Included

- (1) Installation Guide
 - (2) Split Arm Hinges
 or Split Arm Hinges with
 Control Bracket, 20"
 - (12) #8 x 5/8" Screws
 - (2) #8 x 5/8" Stopper Screws *
- or**
- (1) Installation Guide
 - (2) Straight Arm Hinges, 22" or
 4-Bar Hinge
 - (12) #8 x 5/8" Screws

Supplies Needed

- Silicone Sealant (color matching)
- Wood Plugs

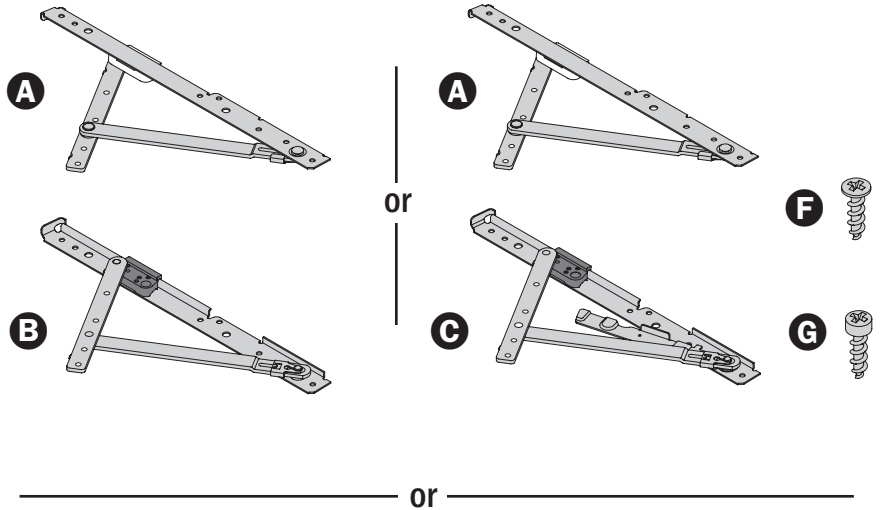
Tools Needed

- Safety Glasses
- Phillips Screwdriver
- Hammer
- Pencil
- Drill
- 3/32" Drill Bit
- Tape Measure
- Caulk Gun

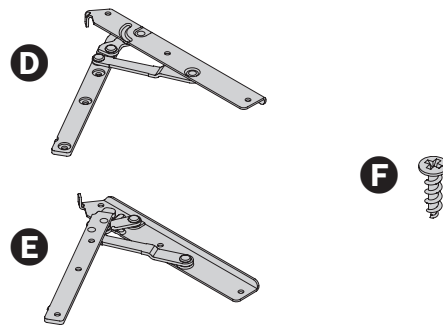
Key

- A** Upper Split Arm Hinge (white shoe)
- B** Lower Split Arm Hinge (black shoe)
- C** Lower Split Arm Hinge with
 Control Bracket, 20" (black shoe)
- D** Upper Straight Arm Hinge, 22" or 4-Bar Hinge
- E** Lower Straight Arm Hinge, 22" or 4-Bar Hinge
- F** #8 x 5/8" Screw
- G** #8 x 5/8" Stopper Screw *

* Used during reinstallation of sash.



► Before beginning hinge replacement, remove sash and existing hinges following the instruction guide for casement window sash replacement.



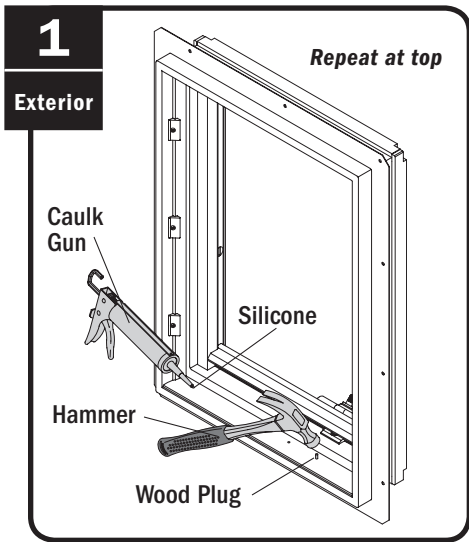
Left hand hinges shown in this guide.

⚠ WARNING

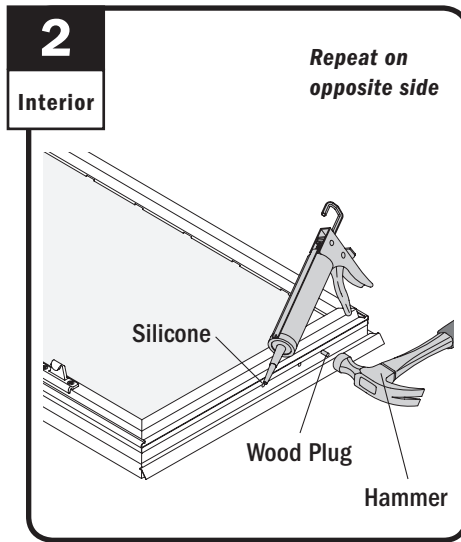
Follow manufacturer's instructions for safe operation of hand/power tools. Always wear safety glasses. Failure to do so may result in injury and/or product damage.

⚠ WARNING

Use caution when working at elevated heights and around unit openings. Follow manufacturer's instructions for safe operation of ladder and/or scaffolding. Failure to do so may result in injury or death.



Fill and seal old screw holes in frame.

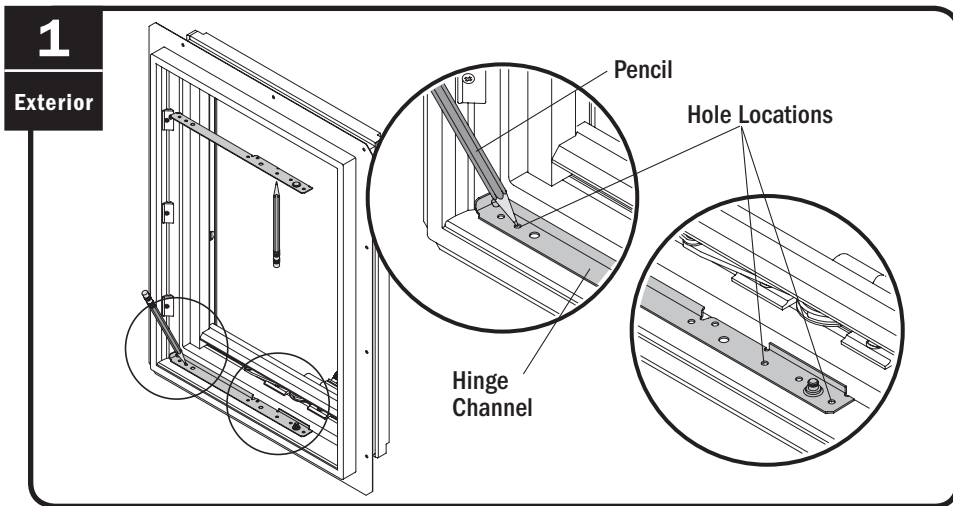


Fill and seal old screw holes in sash.

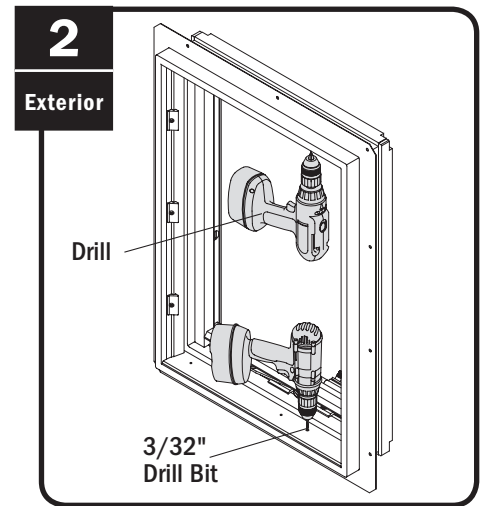
► For Split Arm Hinge Replacement proceed below.

► For Straight Arm Hinge Replacement proceed to page 3.

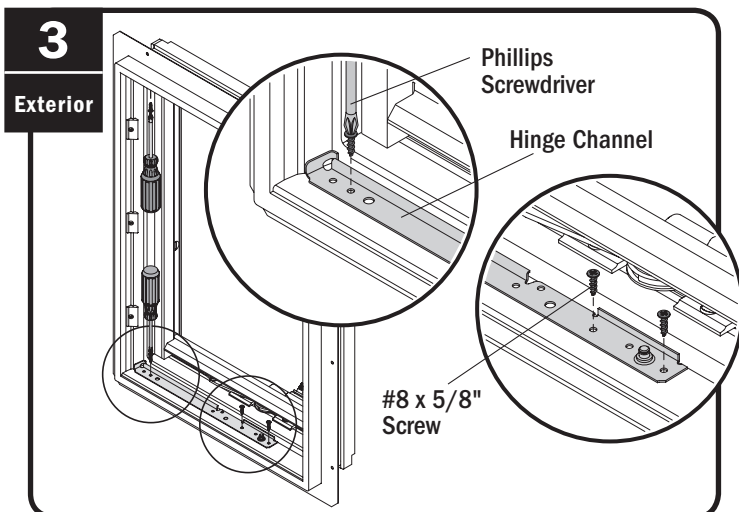
Split Arm Hinge Replacement



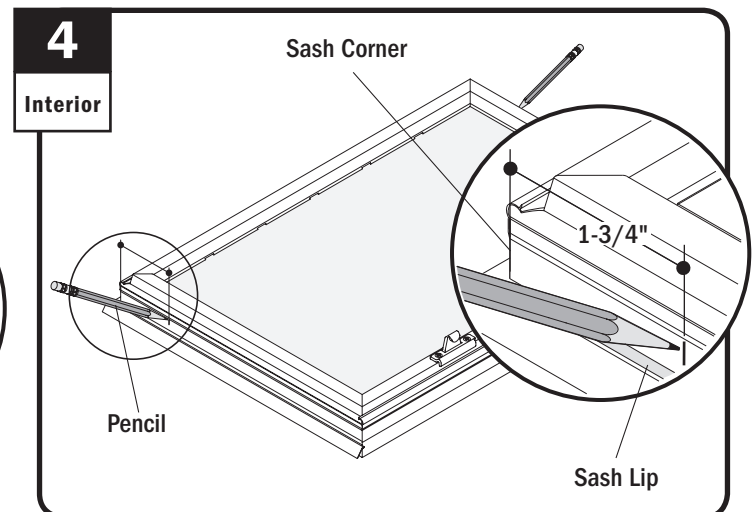
Position lower hinge channel tight to corner of frame, as shown, and mark indicated hole locations. Repeat for upper hinge channel.



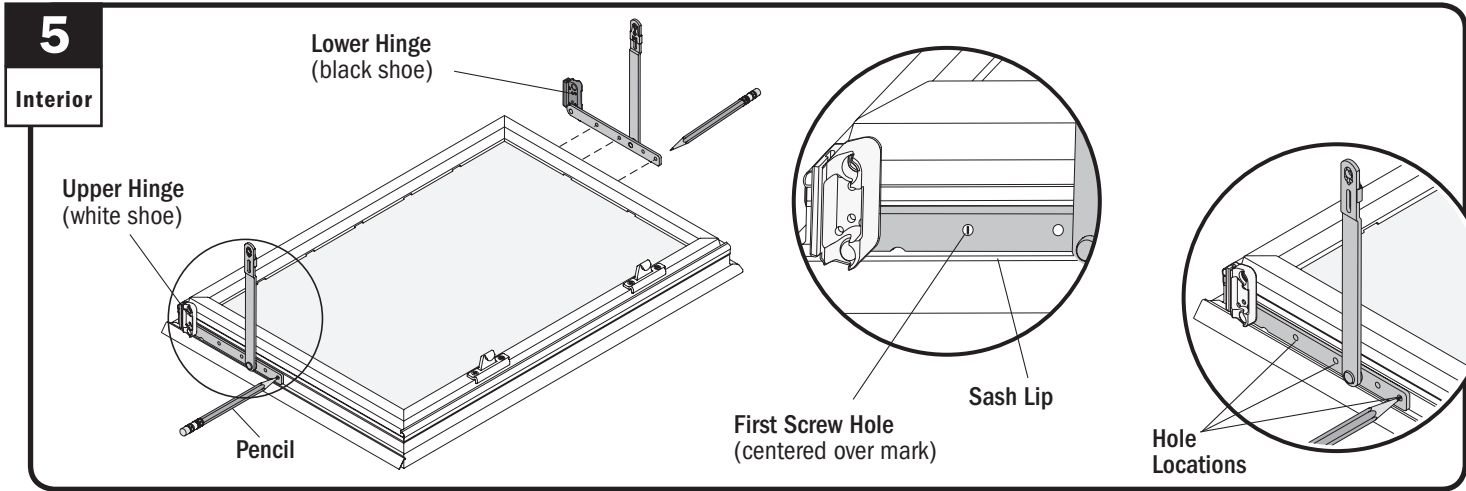
Drill holes 1/8" deep using a 3/32" drill bit at marked locations.



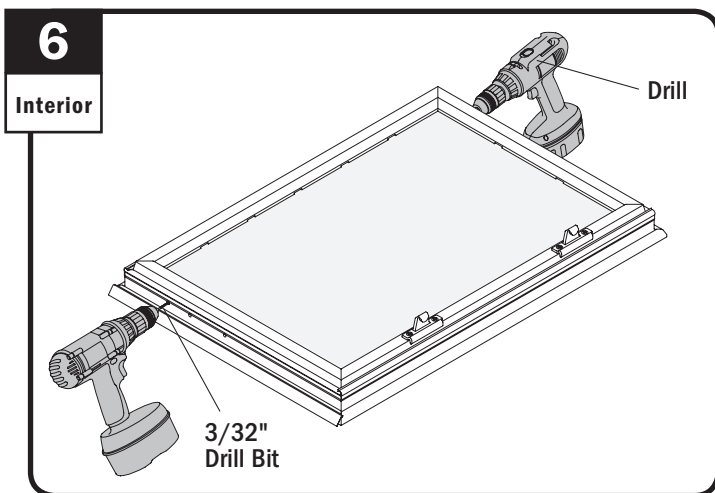
Position hinge channels over drilled locations and fasten to frame.



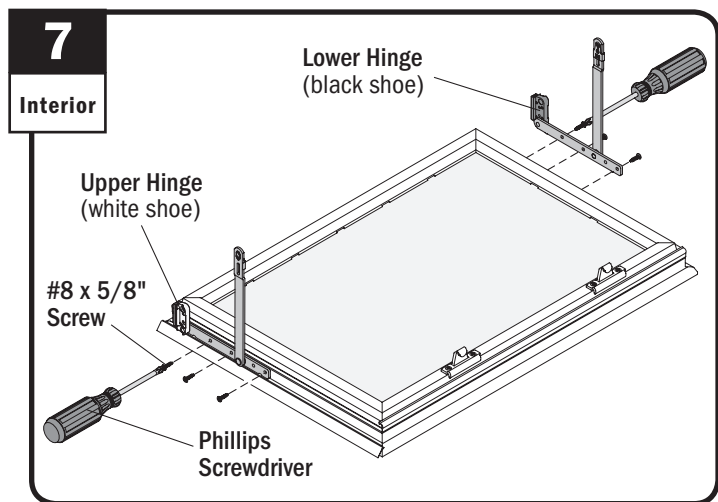
Position sash interior side up. Mark 1-3/4" from sash corner, as shown.



Place hinge on sash lip, center first screw hole over marked location and mark screw holes, as shown.

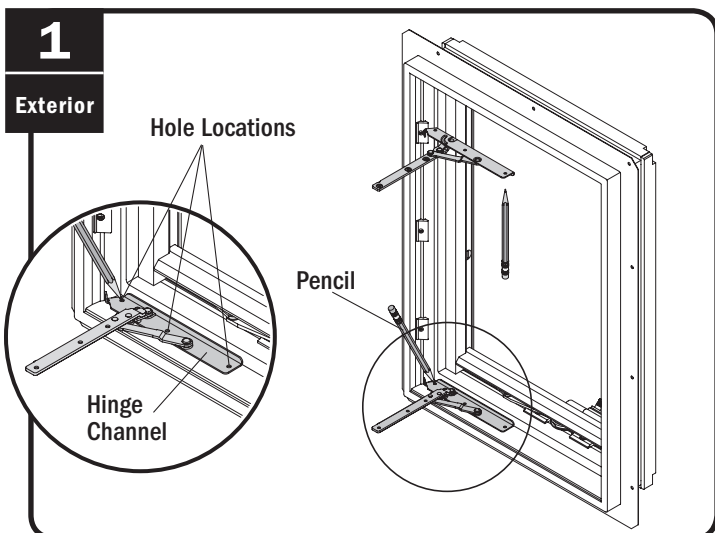


Drill holes 1/8" deep using a 3/32" drill bit at marked locations.

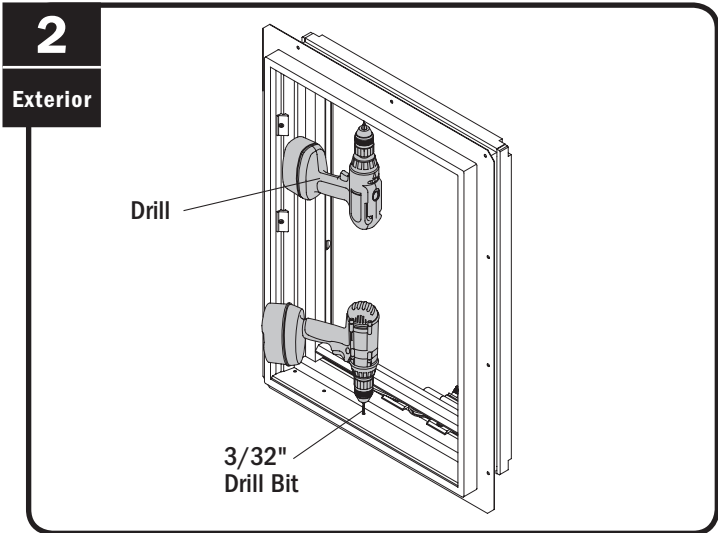


Position hinges over drilled locations and fasten to sash. **Reinstall sash following instruction guide for sash replacement.**

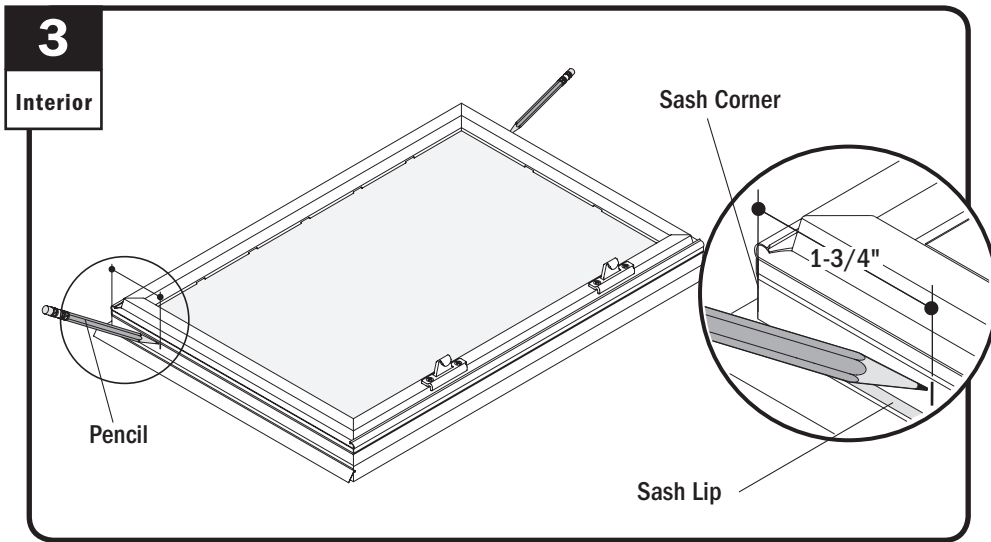
Straight Arm Hinge Replacement



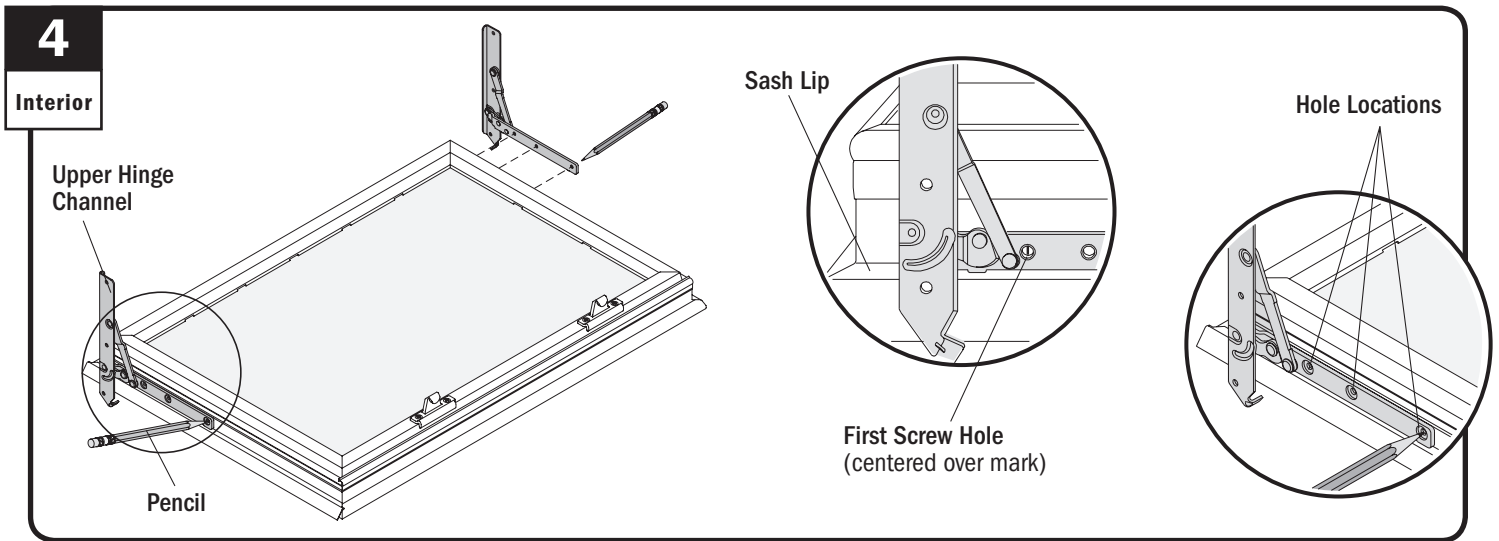
Position hinge channel tight to corner of frame, as shown, and mark hole locations. Repeat for upper hinge channel.



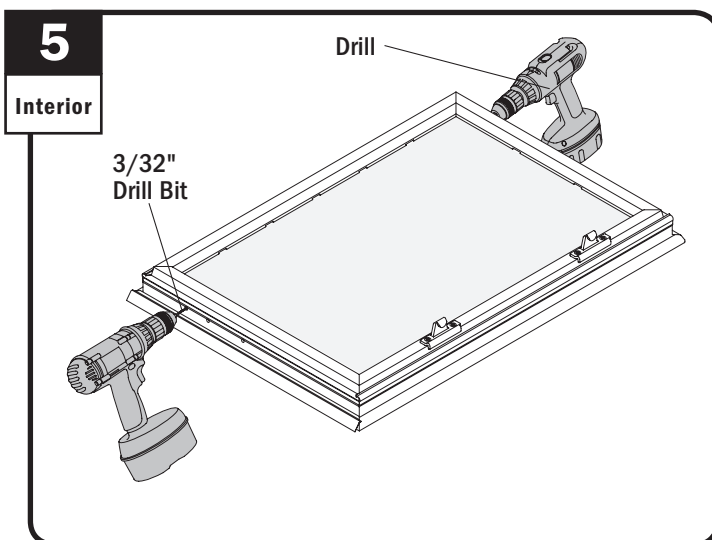
Drill holes 1/8" deep using a 3/32" drill bit at marked locations.



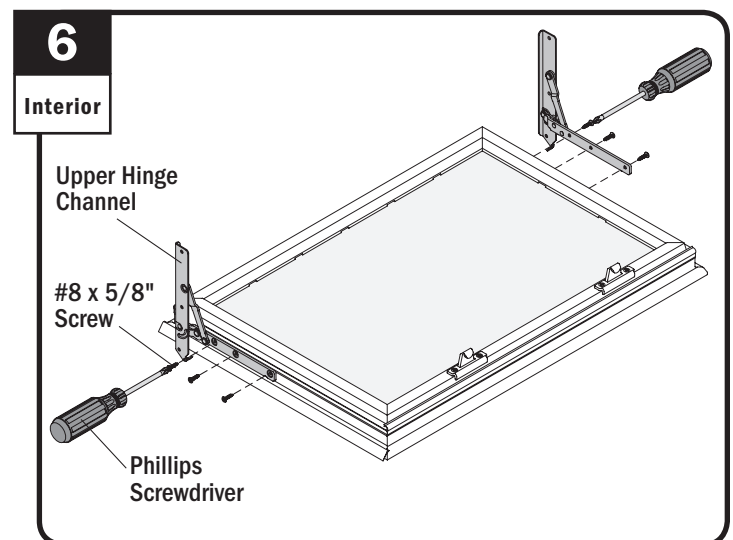
Position sash interior side up. Mark 1-3/4" from sash corner, as shown.



Place hinge on sash lip, center first screw hole over marked location and mark screw holes, as shown.



Drill holes 1/8" deep using a 3/32" drill bit at marked locations.



Position hinges over drilled locations and fasten to sash.
Reinstall sash following instruction guide for sash replacement.