

Rescreening Kit Guide

for Andersen® A-Series Hinged Inswing, & Gliding; 400 Series Frenchwood® Hinged Inswing, & Gliding; 200 Series Hinged Inswing and Narroline® & Perma Shield® Gliding Patio Doors and A-Series, 400 Series Frenchwood® Hinged Inswing, & Gliding Patio Doors with Stormwatch® Protection (excluding Retractable Insect Screen)

Thank you for choosing Andersen.

For questions call 1-888-888-7020. For more information and/or guides visit andersenwindows.com.

Please leave this guide with building owner.

- ▶ Read guide from beginning to end before starting installation. Read all warnings and cautions during unit installation.
- ▶ Check with your local building code official to identify and confirm compliance with local building code requirements.

Kit Parts Included

- (1) Screen Cloth
- (1) 1/2" x 1-1/2" Wood Strip
- (2) Spline (large and small)
- (1) Hand Roller

Tools Needed

- Safety Glasses
- Utility Knife
- Hand Saw
- Tape Measure

⚠ WARNING

Use caution when working at elevated heights and around unit openings. Follow manufacturers' instructions for ladders and/or scaffolding. Failure to do so may result in injury or death.

⚠ WARNING

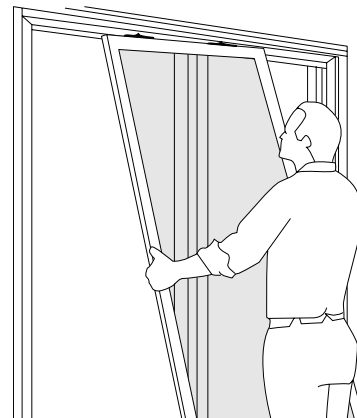
Follow manufacturers' instructions for hand or power tools. Always wear safety glasses. Failure to do so may result in injury and/or product damage.

⚠ WARNING

Windows and doors can be heavy. Use safe lifting techniques and a reasonable number of people with enough strength to lift, carry and install window and door products to avoid injury and/or product damage.

1. Remove Insect Screen

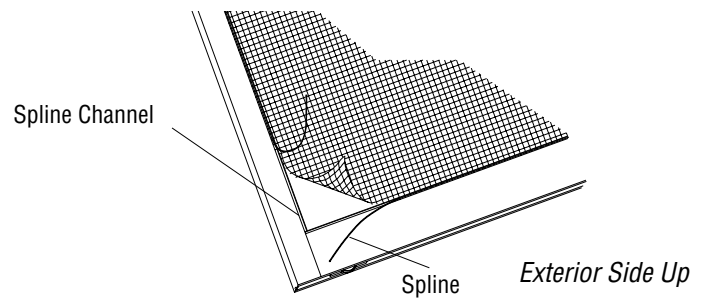
- Remove *Roller Gliding Insect Screen Panel* by centering in opening, lifting up and pulling bottom outward.
To remove *Top Hung Gliding Insect Screen Panel*, release bottom rollers by lifting up on bottom roller tabs and pulling bottom outward. Pull bottom outward while lifting screen and pushing the top inward until the top hooks release from the head track.
To remove *Hinged Insect Screen Panel*, detach and remove *Closer Assembly* and remove *Hinge Pins*.
- Place the *Insect Screen Panel* exterior side up on a clean flat work surface.



Exterior View

2. Remove Spline and Cloth

- Remove *Splines* from *Spline Channel* by inserting utility knife at one end of the *Spline* and gently pulling upward.
- Remove screen cloth from insect screen frame.

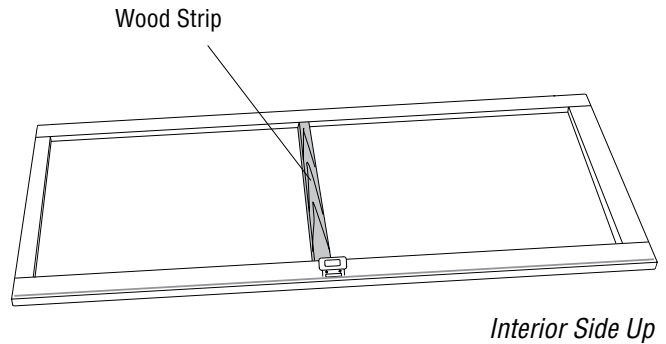


3. Cut and Install Wood Strip

NOTICE

Wood Strip must be cut to width and placed in center of Insect Screen Frame to prevent frame from bowing inward.

- Turn insect screen panel interior side up.
- Measure the width of the panel's insect screen opening and cut the 1/2" x 1-1/2" *Wood Strip* to length.

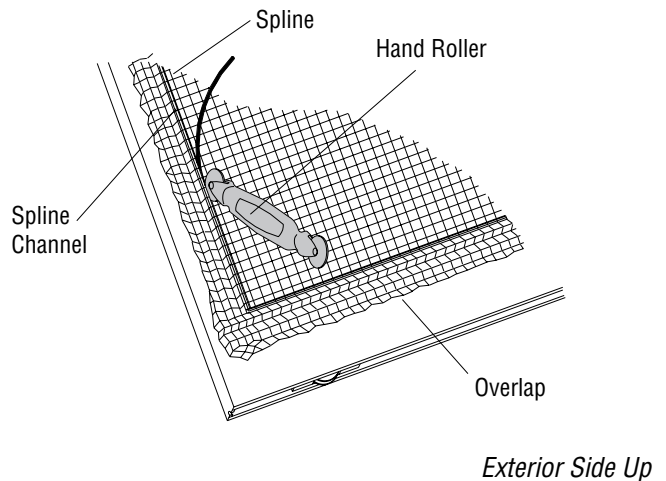


4. Install New Cloth

NOTICE

Two types of splines are provided with kit, small and large. Test fit and use the one that fits tightly into the spline channel. If using the larger spline, make sure that the smooth side is up.

- Lay the cloth in the *Insect Screen Panel Frame* so it overlaps evenly on all sides.
- Roll the cloth into the *Spline Channel* using the *Hand Roller*.
- Start *Spline* in a corner and proceed around *Insect Screen Panel* making sure that the cloth is parallel to the *Spline Channel* and does not pucker or bulge.
- If puckers or bulges exist, remove *Spline* just past that point and carefully pull out any puckers or bulges. Reinstall *Spline* and remove *Wood Strip*.
- Trim *Spline* so ends meet at corners.



5. Trim Excess Cloth

- Carefully trim the excess cloth with a sharp knife on the outside edge of the *Spline*.
- Reinstall the *Insect Screen Panel* in the opening.

► Rescreening procedure is complete.

