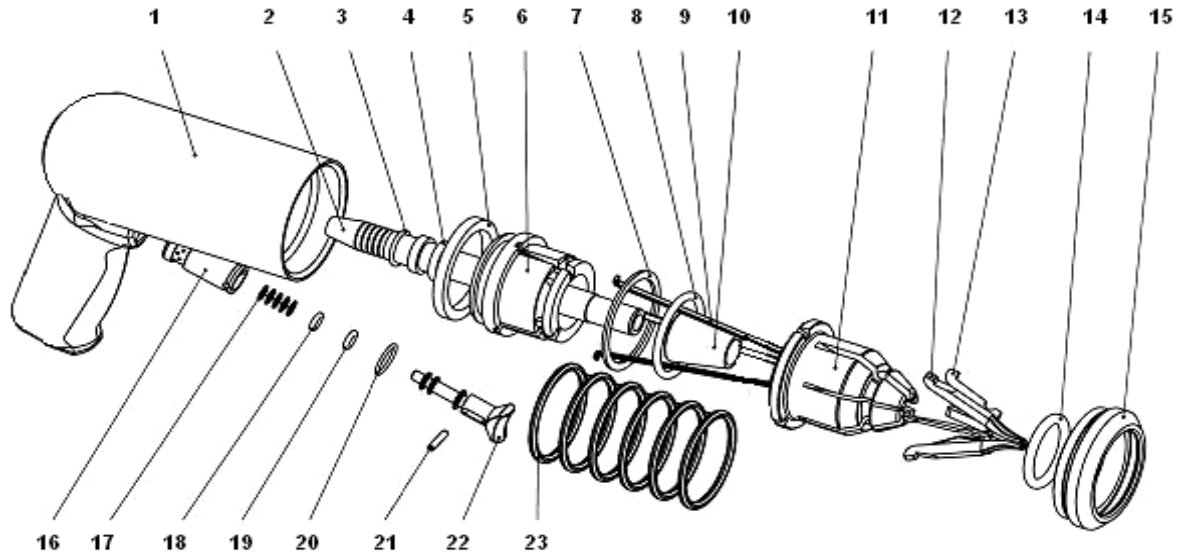


# TSIT-8, TSIT-9 & TSIT-11 TIRE STUD INSERTION TOOL

TSIT-8, TSIT-9 & TSIT-11 Pistolet de cramponnage pour pneus



ITEM	BW#	EURO old	EURO new	Description	Description
1	0128	10060	00570045	HANDLE	POIGNEE
2	0130-08		00470084	FEED TUBE for 8mm	TUBE D'ALIMENTATION 8mm
2	0130-09	00109	00470085	FEED TUBE for 9mm	TUBE D'ALIMENTATION 9mm
2	0130-11		N/A	FEED TUBE for 11mm	TUBE D'ALIMENTATION 11mm
3	0136	00119	00003412	O-RING	BAGUE "O"
4	0383	00131	00003508	PISTON CUP	ANNEAU RAINURE
5	0092	00116	00003507	PISTON CUP	ANNEAU RAINURE
6	0129	00108	00470082	PISTON	PISTON
7	0135	00115	00350299	STEEL RING	RONDELLE
8	0088	00123	00003465	R-RING	BAGUE "R"
9	0126	00102	00470083	INSERTING FINGERS	DOIGT D'INSERTION
10	0131	00110	00350292	FINGER SPREADER	DOIGT D'ECARTEMENT
11	0132-08		00470088	HEAD for 8mm	TETE 8mm
11	0132-09	10067	00470089	HEAD for 9mm	TETE 9mm
11	0132-11		N/A	HEAD for 11mm	TETE 11mm
12	0084	00101	00485167	EXTERNAL FINGERS	DOIGT D'ECARTEMENT
13	0127	00104	00350295	METERING LEVER	CLAPET
14	0103	00103	00417280	ENDLESS SPRING	RESSORT BAGUE
15	0133	00112	00350294	RING-NUT	ECROU-CHAPEAU
16	0099	00124	00350728	BRASS SLEEVE	DOUILLE
17	0095	00107	00350297	TRIGGER SPRING	RESSORT DE PRESSION
18	0091	00117	00003463	O-RING	BAGUE "O"
19	0090	00118	00003404	O-RING	BAGUE "O"
20	0089	00120	00003464	R-RING	BAGUE "R"
21	0096	00114	00000536	PIN	GOUPILLE CYLINDRIQUE
22	0098	00106	00470092	TRIGGER	GACHETTE
23	0134	00113	00350299	COMPRESSION SPRING	RESSORT DE PRESSION

BW is a trademark of Bruno wessel Inc. All other product names are trademarks of their respective companies.  
Equipment and part numbers in the BW column are manufactured in North America.



**BRUNO WESSEL**

BRUNO WESSEL in CANADA

877-452-1935

BRUNO WESSEL in U.S.A.

800-869-1908

