

NEW DWR1000C



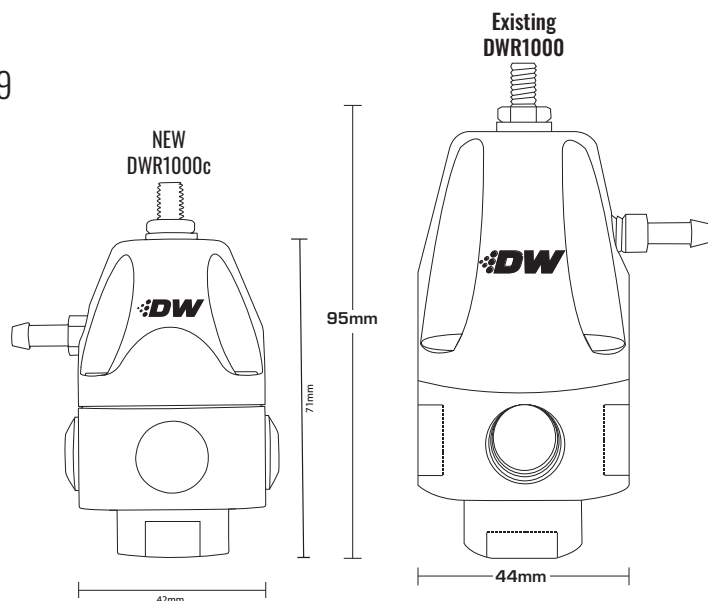
The ALL NEW DWR1000c is a compact version of our original DWR1000 Fuel Pressure Regulator, at a lower price point!

- Precision performance and versatility of up to 1,000hp
- -6AN ORB inlets, -6AN ORB outlet
- Compatible with all fuels including methanol and ethanol
- 2 psi per turn precision ball bearing adjustment
- Multi-directional baracket for installation flexibility

Anodized Black
PN: 6-1002-FRB - \$129

Anodized Titanium
PN: 6-1002-FRT - \$129

	Existing DWR1000	New Compact DWR1000c
Quad Inlet Ports	-8AN ORB	-6AN ORB
Single Outlet Ports	-6AN ORB	-6AN ORB
Gauge Port Fitting	1/8" NPT	1/8" NPT
Height	95mm	71mm
Width	44mm	42mm
Weight	8.6 oz	6.9 oz
Pressure Range	30-100 psi	30-100 psi
Flow Rating	500LPH	500LPH
HP Rating	1000 HP	1000 HP



Need more information? All Part Numbers, Product Information, Technical Sheets, and Photos are available for export in PDM-Automotive

WWW.DEATSCHWERKS.COM
405.217.0701 / 800.419.6023

