

DW810 Brushless In-Tank Pump

9-811



Note: Brushless pumps must be used with a brushless pump controller.

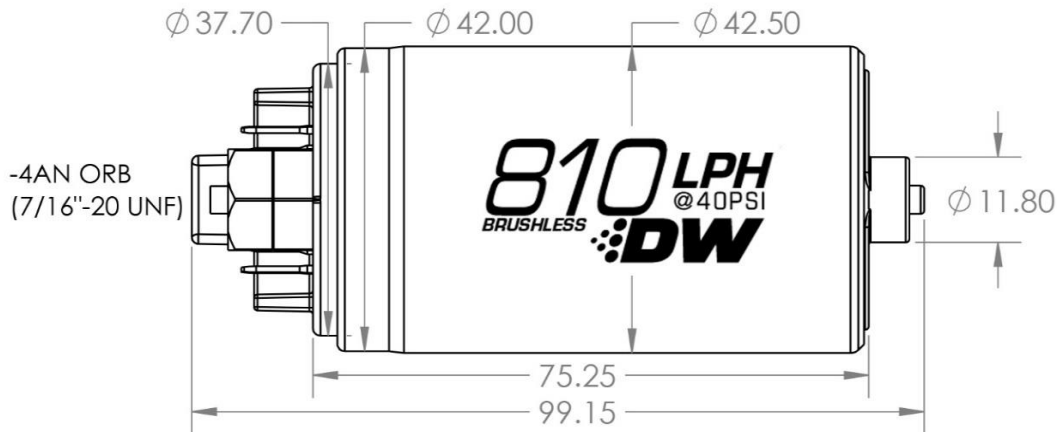
Specifications

Weight	11.6oz (328 grams)
External Materials	Electroplated Steel
Inlet Fitting	8.5mm ID, 11.8mm OD
Outlet Fitting	AN4 O-Ring Boss (7/16"-20" SAE)
Impeller Design	Single Scroll Composite Turbine
Connector Terminal	4-Spade Brushless
Min Voltage Input	8 Volts
Max Constant Voltage	14.5 Volts*
Fittings Included	6AN and 8AN Male 37° Flare 5/16"(8mm) and 3/8"(10mm) Barb

NOTE: To ensure maximum voltage at the pump, a 10-gauge hardwire kit is strongly recommended for optimum performance (DeatschWerks PN# FPHWK-10-HD)

**Boosting pump voltage over 14.5v does not increase pump Flow Rate.*

Dimensions



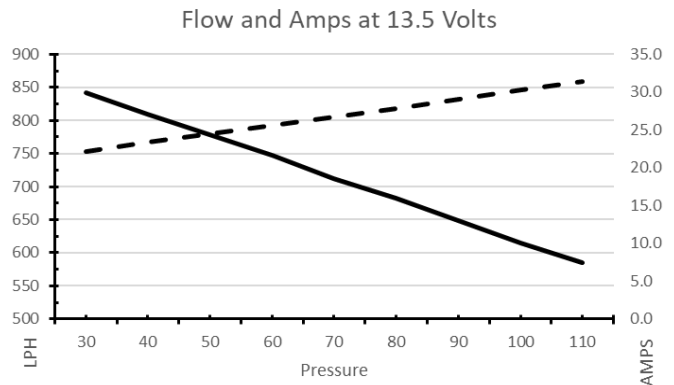
Note: DW810 pump does not have a integrated check valve, use DW PN# 6-02-0723, 724, or 725.

THIS PRODUCT MAY BE USED SOLELY ON VEHICLES USED IN SANCTIONED COMPETITION, WHICH MAY NEVER BE USED UPON A PUBLIC ROAD OR HIGHWAY, UNLESS PERMITTED BY SPECIFIC REGULATORY EXEMPTION

The DW810 provides high fuel flow in a reliable, quiet, and compact package. Its optimized impeller design achieves peak efficiency at target flow rates while careful engineering of internal fluid flow eliminates restrictions. Its brushless motor technology reduces friction and heat, vastly improving durability, especially when using aggressive fuels such as ethanol and methanol.

- 5/16", 3/8", -6AN and -8AN anodized fittings included
- 810LPH at 40psi, 680LPH at 80psi (13.5 volts)
- Compact size is optimized for in-tank use
- Universal bulkhead harness and fitment kit included
- Compatible with all fuels including Methanol and E100
- No brushes + No commutator = Ultimate Durability

Flow Rate



PSIG	30	40	50	60	70	80	90	100
AMP	22.1	23.4	24.5	25.5	26.7	27.9	29.1	30.3
LPH	843	810	778	747	713	682	649	614