

In-Tank Pump DW65v (9-654, 9-655)

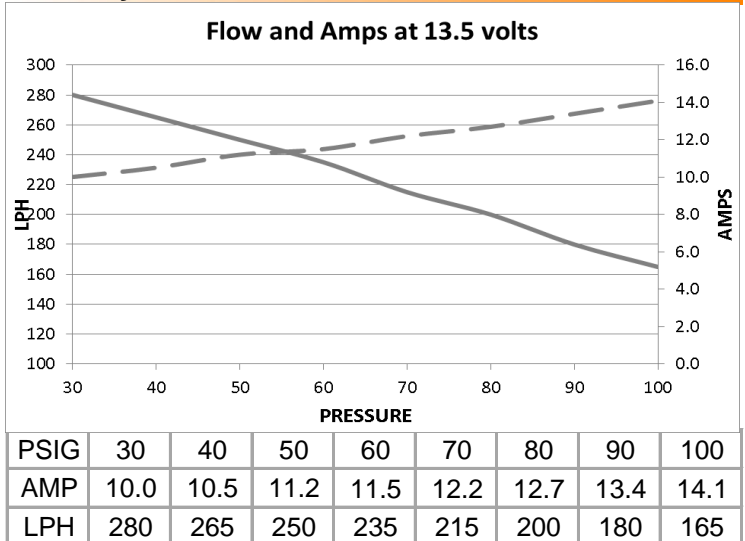


The DW65v was designed specifically as a drop-in pump for VW/Audi applications such as 1.8t, 2.0 TSI, and 2.0 TFSI applications. 2 part numbers are available to fit FWD (9-654) and AWD (9-655). The DW65v flows 265lph at 40psi which is 40% more than the OE TT225 pump. In addition, the DW65v features a quiet and reliable turbine impeller which is compatible with pulse width modulated pump drivers. The pump also features an encapsulated armature for compatibility with ethanol based fuels. All DW fuel pumps are backed by a 3-yr no fault warranty.

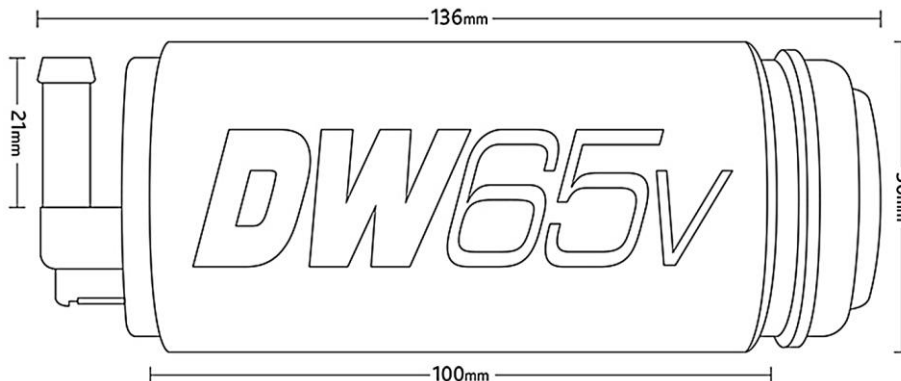
Specifications

Weight	22.4oz (635grams)
External Materials	Electroplated steel
Inlet Fitting	32.0mm ID, 35.4mm OD
Outlet Fitting	5/16" Hose Clamp
PRV Activation	>100psi
Impeller Design	Single Scroll Composite Turbine
Connector Terminal	Spade Pos/Neg
Min Voltage Input	6 Volts
Max Voltage Input	18 Volts
Current Draw 40psi	10.5 Amps (13.5v)

Delivery Characteristics



Dimensions



THIS PRODUCT MAY BE USED SOLELY ON VEHICLES USED IN SANCTIONED COMPETITION WHICH MAY NEVER BE USED UPON A PUBLIC ROAD OR HIGHWAY, UNLESS PERMITTED BY SPECIFIC REGULATORY EXEMPTION