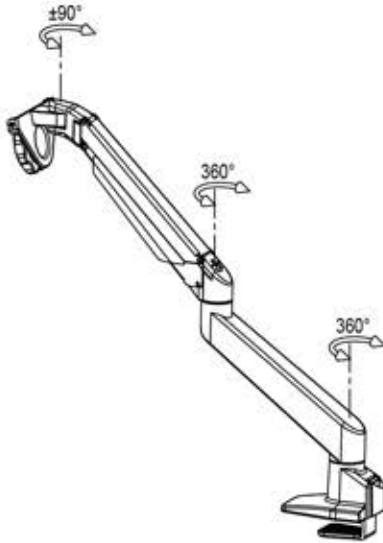
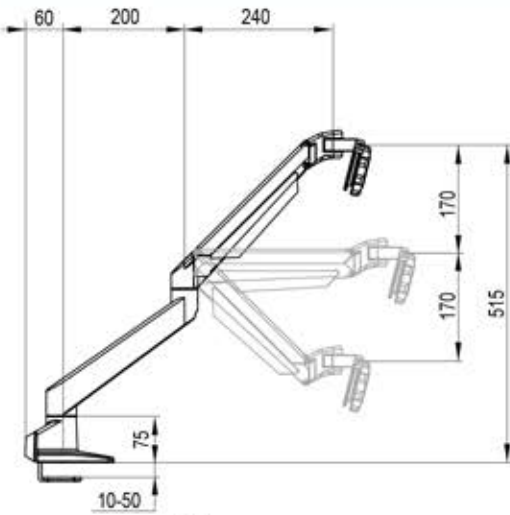


## iMac Monitor Arm Installation

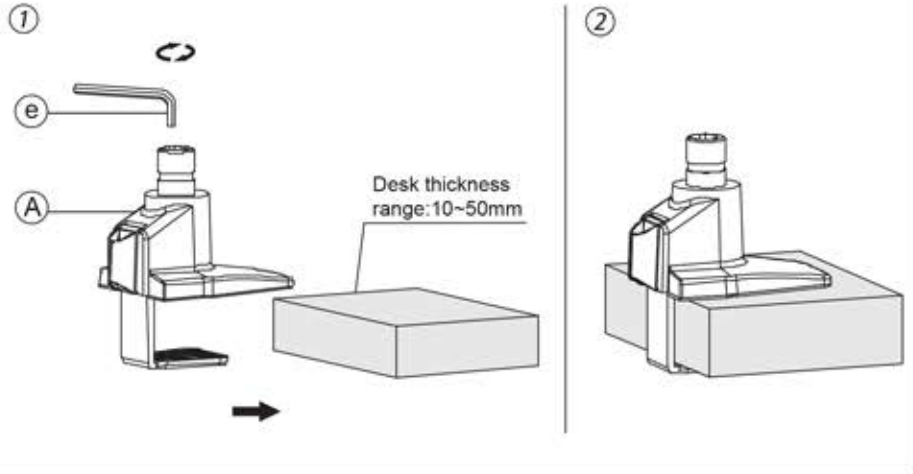
### Product Specification

Sketch											Desk thickness(mm)	
Item	Monitor size	Weight range (kg)	Lift(mm)	Tilt	Swivel	Pivot	VESA	Packing size (mm)	N.W(kg)	G.W(kg)	Thru-desk	Desk clamp
Specification	≤30°	5-11	340	—	±90°	—	—	Inner: 475*195*140	Inner: 3.5	Inner: 4	50	50
								Outside: 490*210*440	Outside: 10.6	Outside: 12.5		
								Inner/Outside: 3/1				

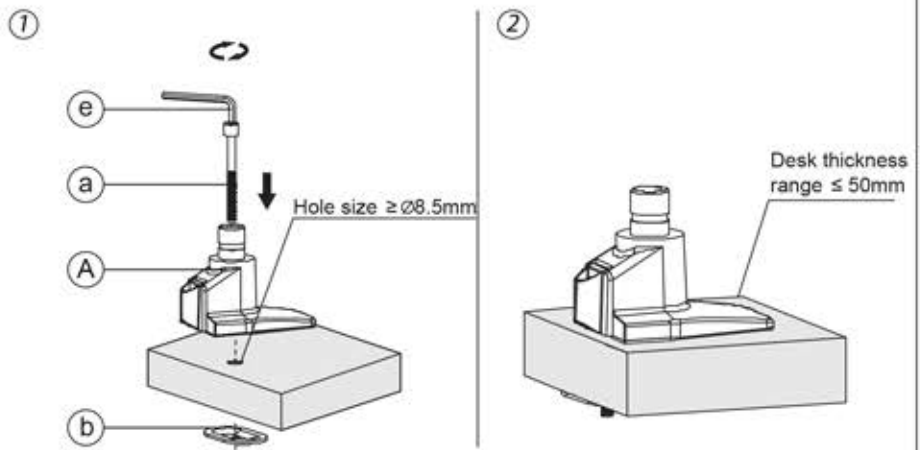
### Product Size



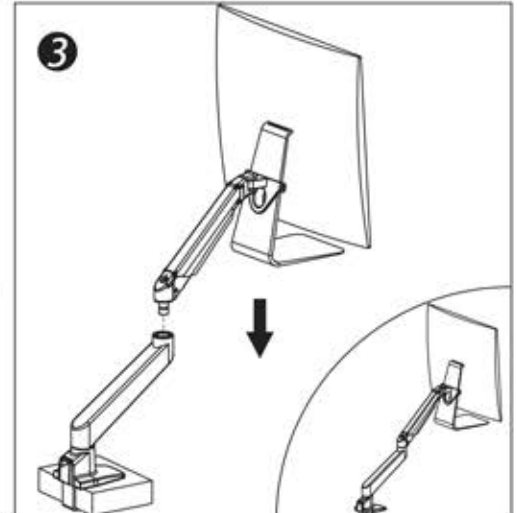
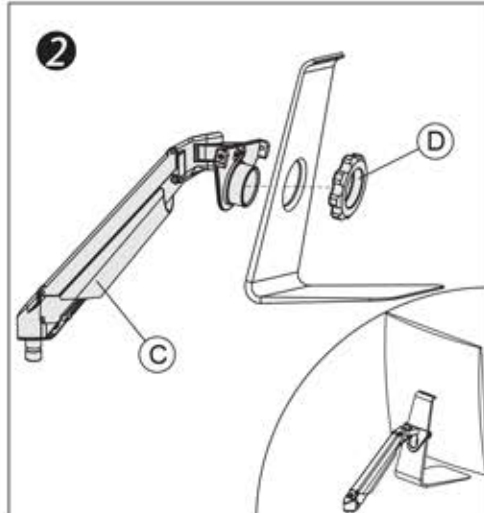
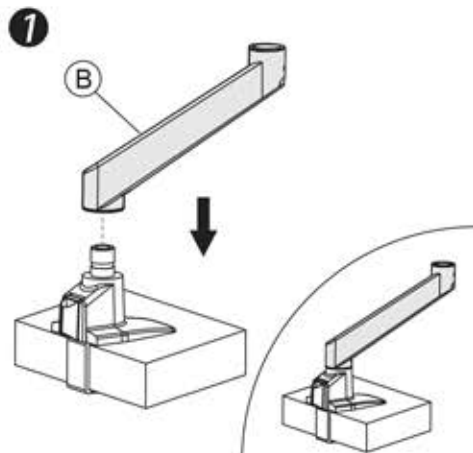
### Installation – Desk Clamp

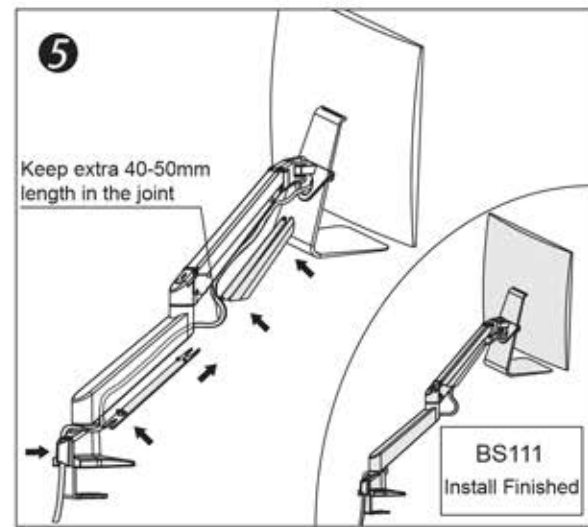
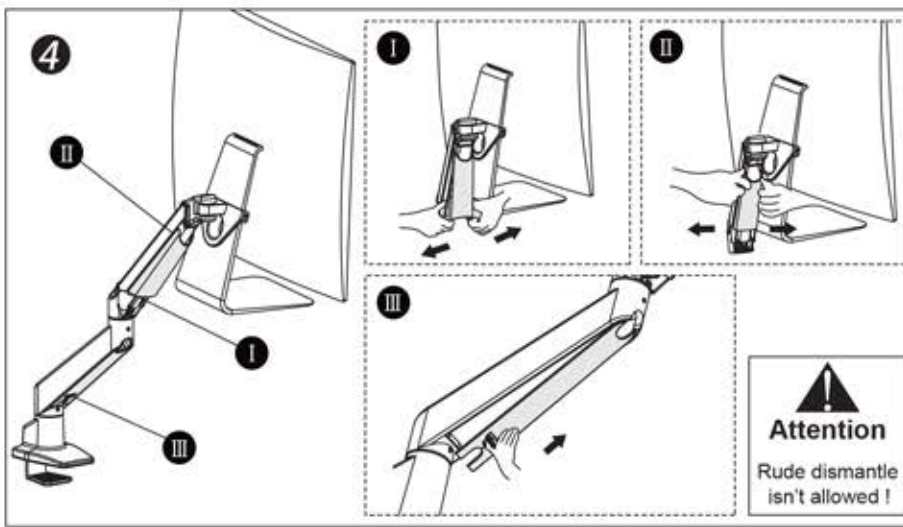


### Installation – Thru-desk



### Install Procedure





Module List			
No.	Sketch	Specs	Quantity
A			1
B			1
C			1
D			1

Part List			
No.	Sketch	Specs	Quantity
a		M8x160	1
b			1
c		M3	1
d		M4	1
e		M6	1

