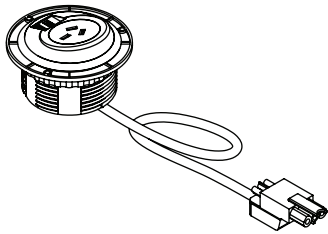


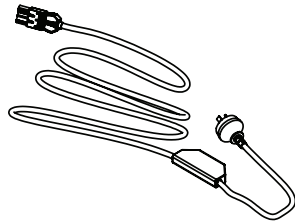
ELSAFE PIXEL INSTRUCTION MANUAL

DESKY

WHAT'S INCLUDED



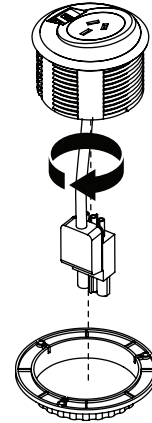
A. Pixel



B. Starter Cable

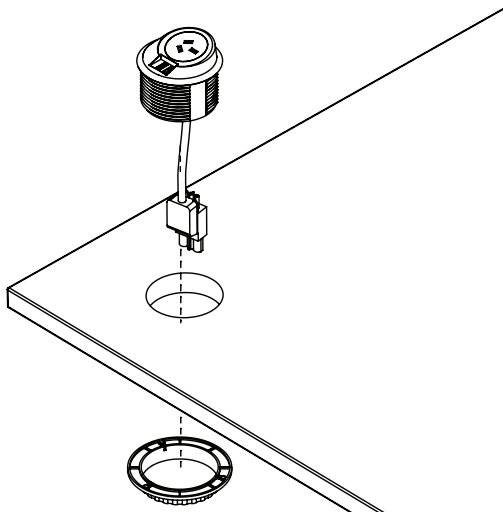
STEP 1

Straighten the cable and unscrew the under desk mount that is attached to the pixel unit.



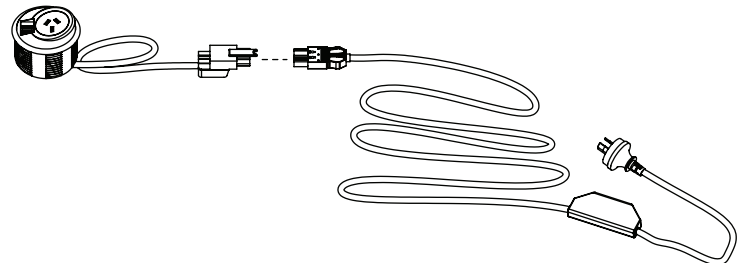
STEP 2

Place the cable through the hole on the desktop and screw on the under desk mount to secure the Pixel unit.



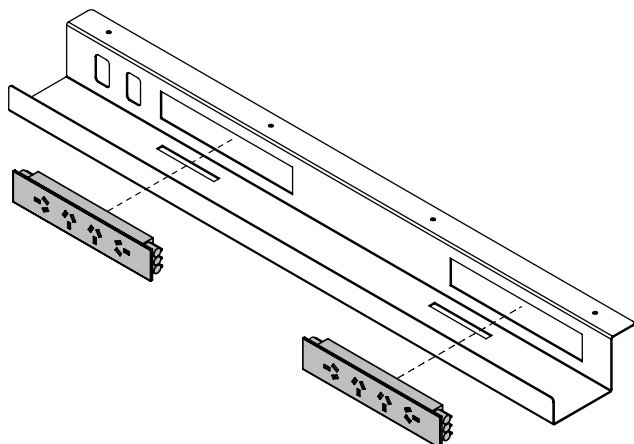
STEP 3

If ordered without our power boards simply clip in the Pixel's cable to the Starter cable and then into your desired wall socket.



STEP 4

If purchased with our 1Plug power station make sure it is clipped into the cable management tray or channel before connecting the cables.



STEP 5

If purchased with our 1Plug power station connect the Pixel's Cable into the 1Plug and then connect the starter Cable to the 1Plug.

