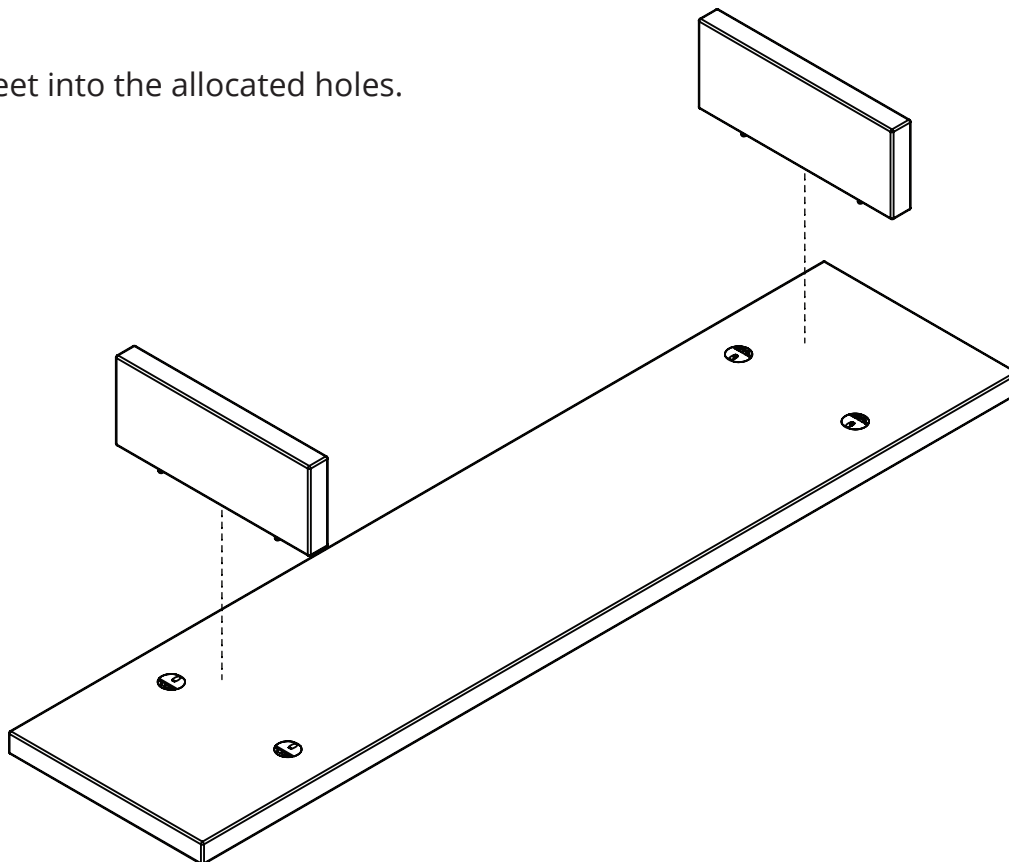


# MONITOR STAND INSTRUCTION MANUAL

# DESKY

## Step 1

Insert the feet into the allocated holes.



## Step 2

Tighten all 4 joints using a phillips head screw driver.

