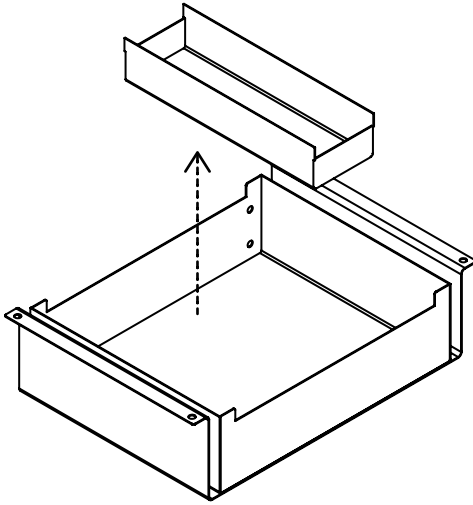


MINIMAL DRAWER INSTRUCTION MANUAL

DESKY

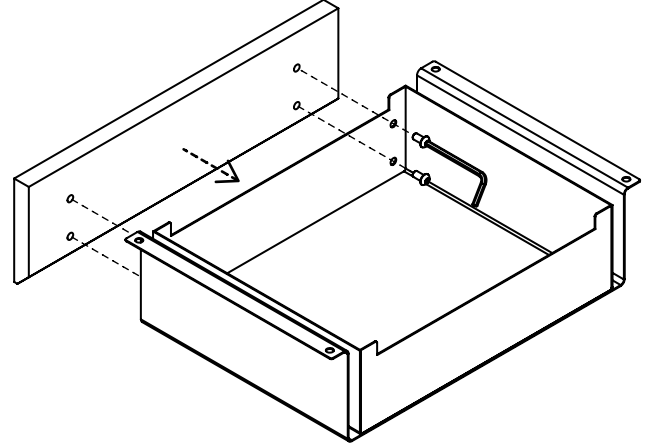
STEP 1

Remove the pen holder from the drawer.



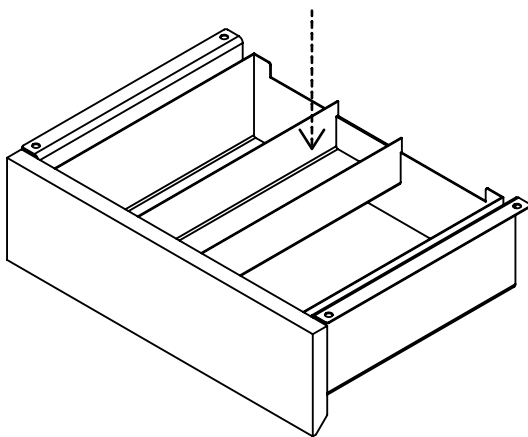
STEP 2

Attach your chosen drawer front using the four (4) machine screws and hex key provided. *Tip: finger tighten the screws and then finish tightening using the hex key.*



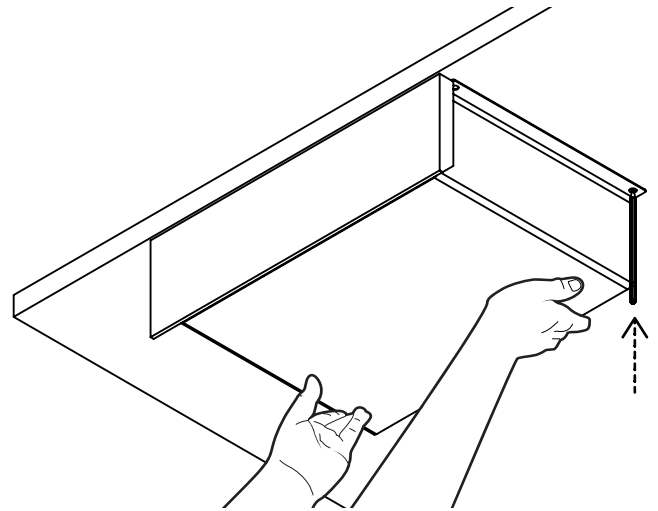
STEP 3

Place the pen holder back into the drawer.



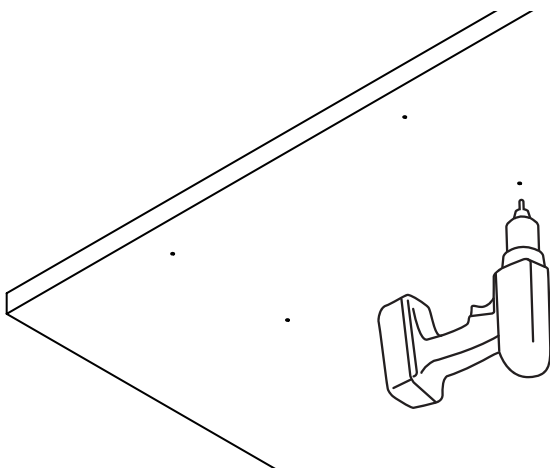
STEP 4

Position the drawer under your desktop in the desired position and use a pencil or pen to mark the location of the 4 holes in the drawer brackets.



STEP 5

Use a power drill and 3mm drill bit to drill pilot holes in the four (4) marked positions.



STEP 6

Use a Phillips head screwdriver or power drill with Phillips head drill bit to attach the drawer with four (4) wood screws as shown. *Tip: you may not wish to drill pilot holes if you are using a power drill with Phillips head bit as the wood screws are self tapping.*

