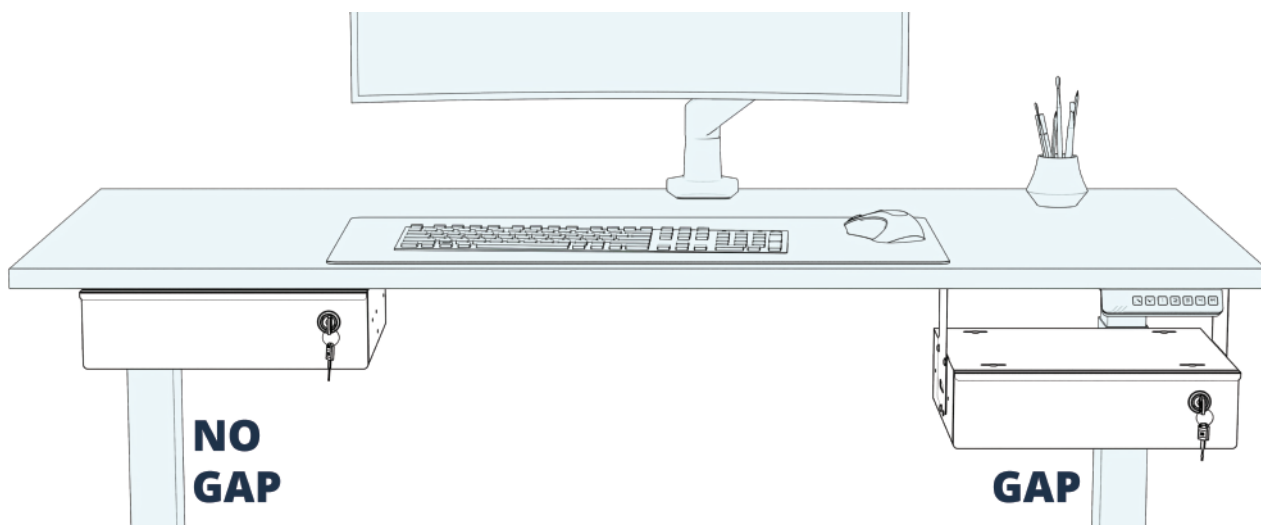


LOCKABLE DRAWER INSTRUCTION MANUAL

DESKY

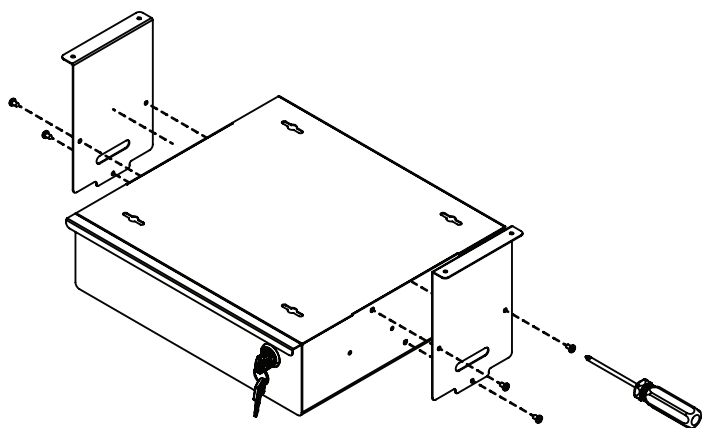


NOTE:

You can either install this drawer with a gap or without a gap. If you prefer with the gap start from step 1.

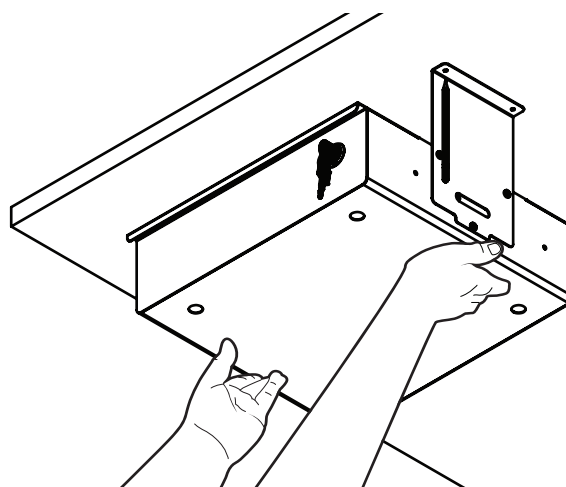
STEP 1

Attach the side bracket using the 6 small screws.



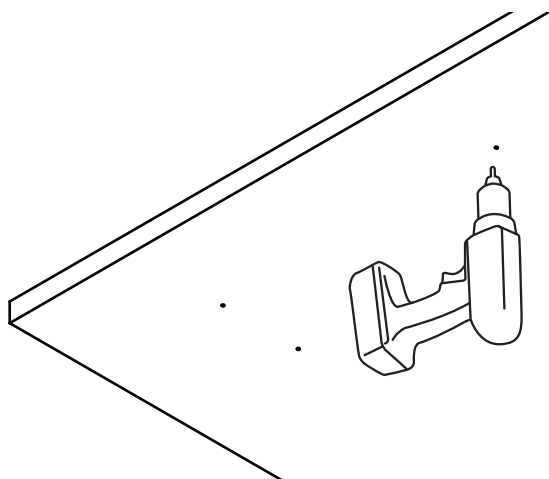
STEP 2

Using a pencil mark the 4 holes in the drawer to the desktop



STEP 3

Drill the pilot holes using a small drill bit 2-4mm in diamtre. Or skip this if you have a phillips head drill bit.



STEP 4

Insert the provided wood screws using a screw driver or phillips head drill bit attached to your drill.

