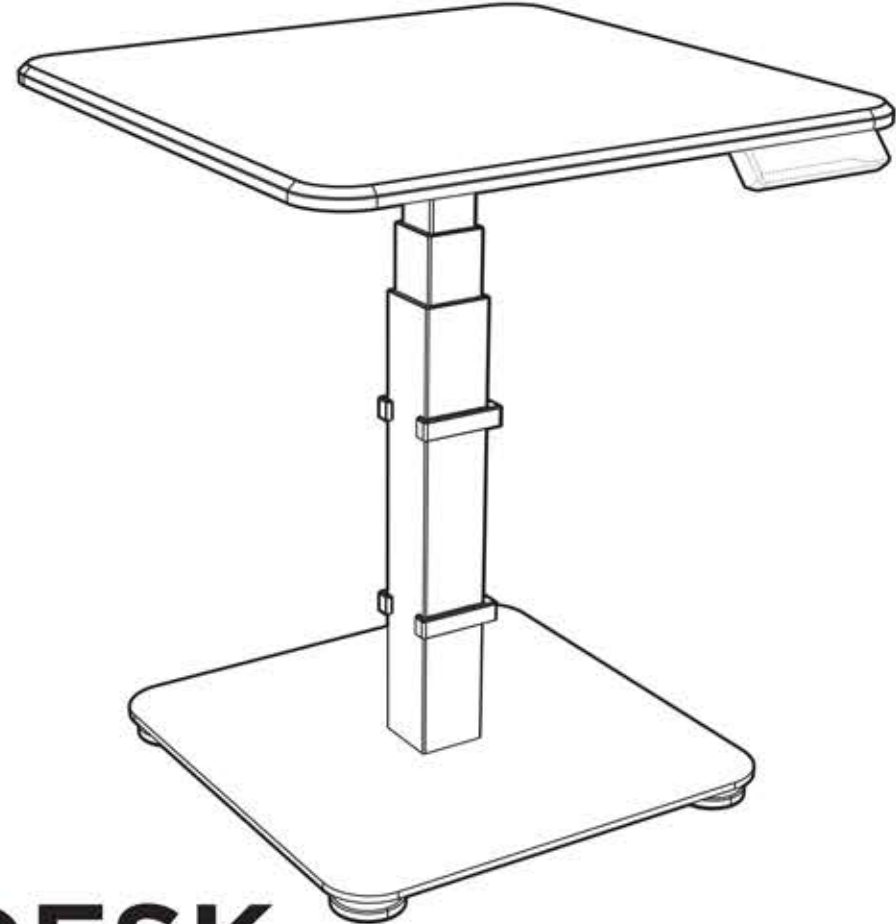


DESKY

Instruction Manual

ELECTRIC SIT-STAND DESK



Preface

This electric height adjustable standing desk consists of a heavy-duty steel desk frame, a desktop and a motorized height adjustment system. Please read and completely understand this manual before installation in order to make sure the safe and correct use of the system and maintain the longevity of the overall construction and the built-in electronics.

Instructions of Safety and Warnings:

- Any failure to comply with the safety and installation instructions in this manual may cause serious bodily injury.
- Any incomplete observation of the instructions, warnings and additional information marked with the **"Note"** and "⚠" may result in serious damage to the system or its components.
- This product can be used by children aged from 8 years and above if they have been given supervision or instruction concerning use of the appliance in a safe way and understand the hazards involved. Children shall not play with the appliance. Cleaning and user maintenance shall not be made by children without supervision. Unplug the desk when the system isn't in use, and place the power plug out of children reach.
- Persons with reduced physical, mental abilities and or lack of experience and knowledge must not use the product, unless they're under supervision, understand the hazards involved or they have been thoroughly instructed in the use of the apparatus by a person who is responsible for the safety of these persons.
- Users should make sure that they never sit on the desktop in order to prevent serious bodily injury.



Electrical Safety Instructions:

The product is powered by electricity. In order to avoid burns, fire and electric shock, please read the instructions carefully.



Don't clean the product with water while the power is still connected.



Never operate the system if it's in moist environment or its electrical components have contact with liquids.



Don't disassemble or replace components while the power is still connected.



Don't operate the system if the control box makes noise or odor. Alterations of the given power unit and control box aren't allowed.



Never operate the system with a damaged cord or plug. Please contact your point of purchase to replace the damaged parts.



Other Safety Instructions:

- Clear up all obstacles within the height adjustment range.
- Don't leave the cords or plug unorganized in order to prevent tripping hazards.
- Any attempts to reconstruct the desk frame aren't allowed.
- Don't add anything to the adjustable junctions of the desk frame.
- Outdoor use is prohibited.

I Preparation

1 What are the specifications you need to know?



Weight Capacity
50kg (110lbs)



Power Input
(100-240V)



Operation Temperature
(-5°C-+40°C)

2 What are the tools you require while installation?



Bubble Level



Allen Wrench
(Included)

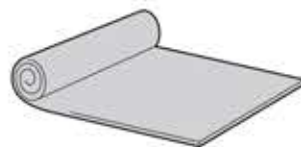


Drill



Phillips Screwdriver

3 What's the thing you'd better have before installation?



A Shipping Blanket
to protect the desk
and the floor










4 Things you need to know before installation

Please check all of the components shown in the component checklist. If any of the components are missing or damaged, contact your point of purchase for a replacement.



Disposal: The product with this mark indicates that this product shouldn't be disposed with other household wastes throughout the EU. To prevent possible harm to the environment or human health from uncontrolled waste disposal, recycle it responsibly to promote the sustainable reuse of material resources. To return your used device, please use the local recycle service or contact your point of purchase to withdraw the product.







I Checklist and Installation

A (x1) Support Bar 	B (x1) Lifting Column 	C (x1) Base 
D (x4) Foot 	E (x1) AC Adapter 	F (x2) Cable Management Clip 
G (x1) Power Plug 	H (x1) Desktop Only S02-13D-B 	The picture of the controller is for your reference only. Actual product may vary. 

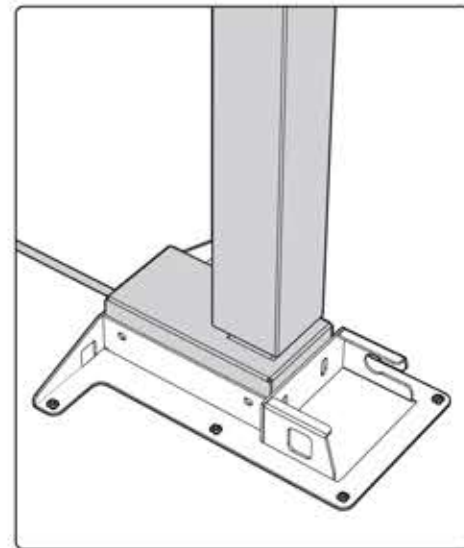
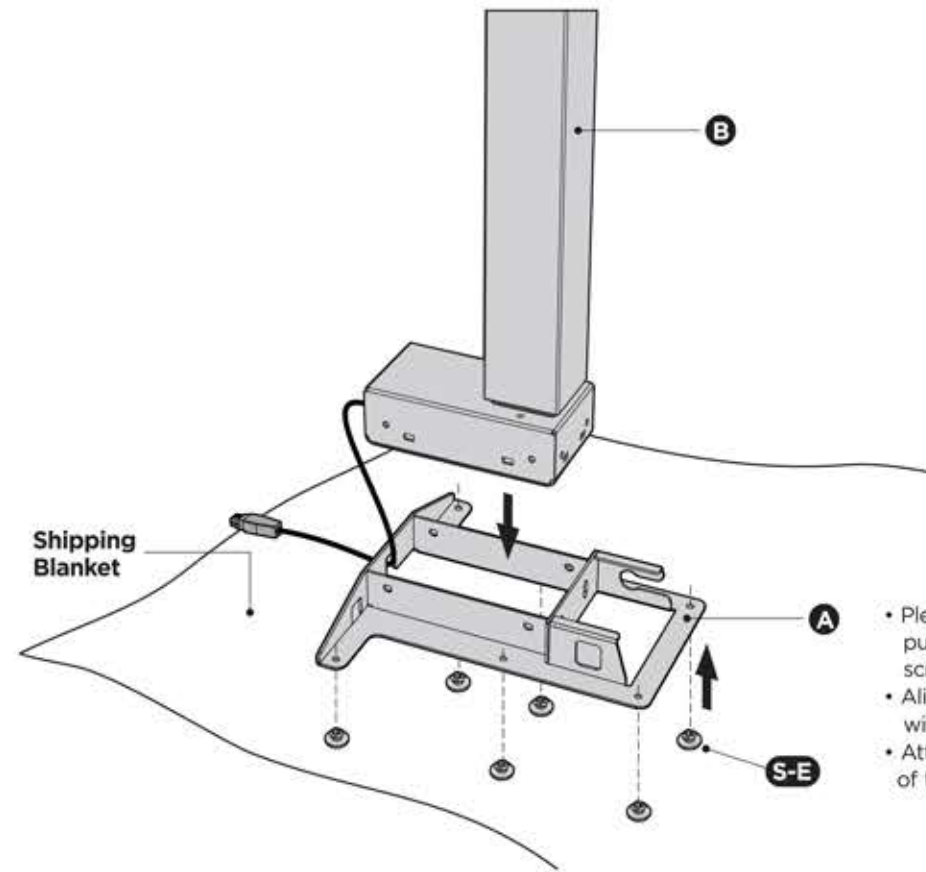


This page can be torn so that it's easier for you to match the components with the images.

I Assembling the Lifting Column

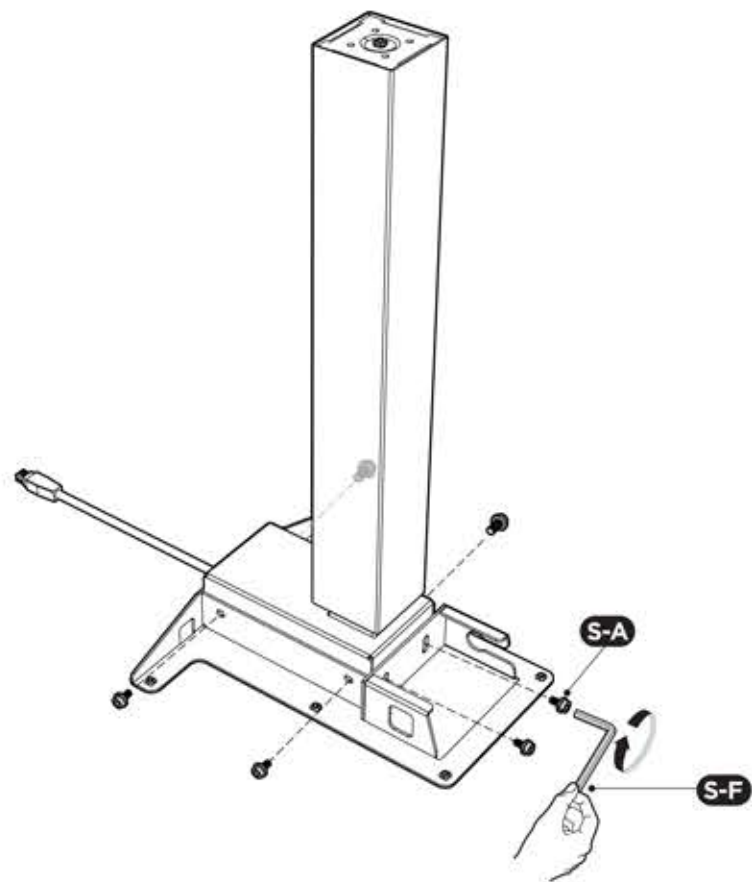
 S-A (x6) Hex Flange Bolts	 S-B (x4) Hex Flange Bolts	 S-C (x8) Phillips Head Screw+ 1 Spacer
 S-D (x3) Cable Clip	 S-E (x6) Anti-Vibration Pad	 S-F (x1) Allen Wrench

Now let's start the installation.

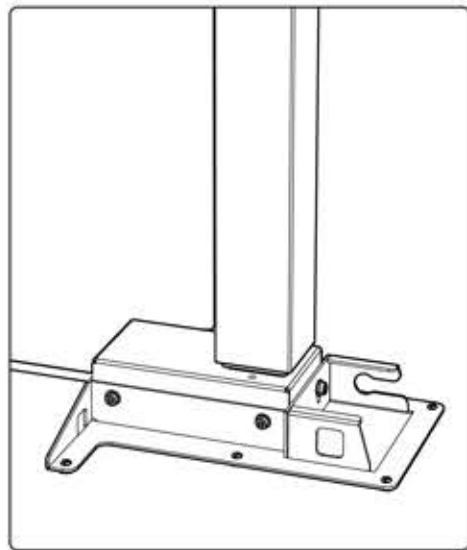


- Please prepare a spacious area for installation, and put a shipping blanket on the area to prevent scratches on the floor and the frame.
- Align the mounting holes on the **lifting column B** with the screw holes on the **support bar A**.
- Attach the **anti-vibration pads S-E** to the surface of the support bar on the six positions as shown.

I Assembling the Base

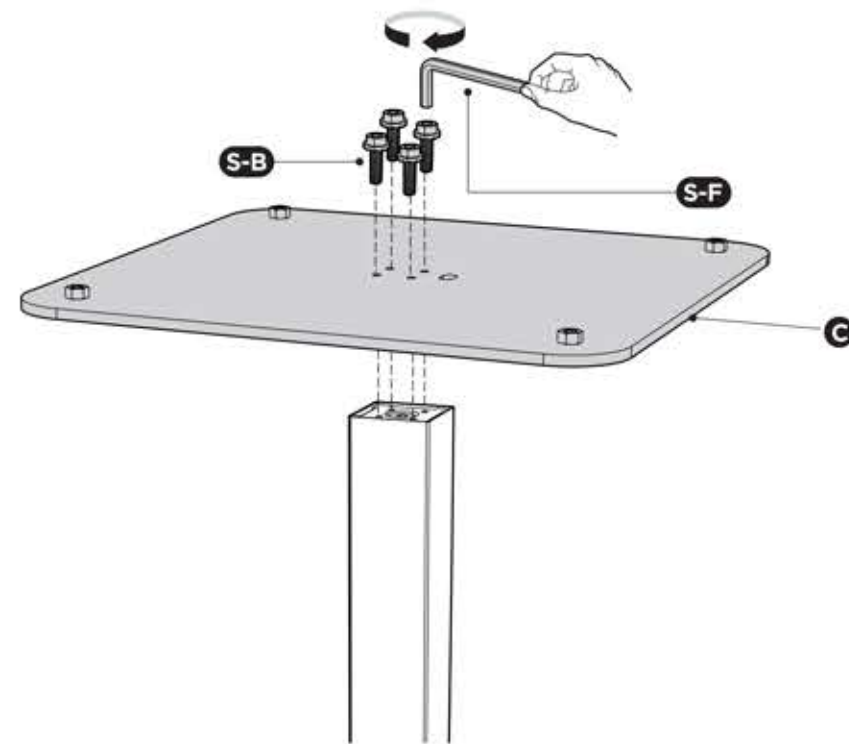


- Insert the **6 screws S-A** into the mounting holes and tighten them.

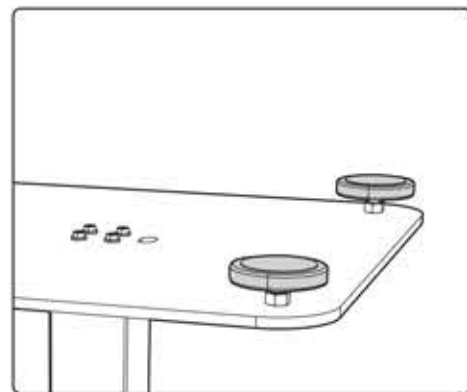
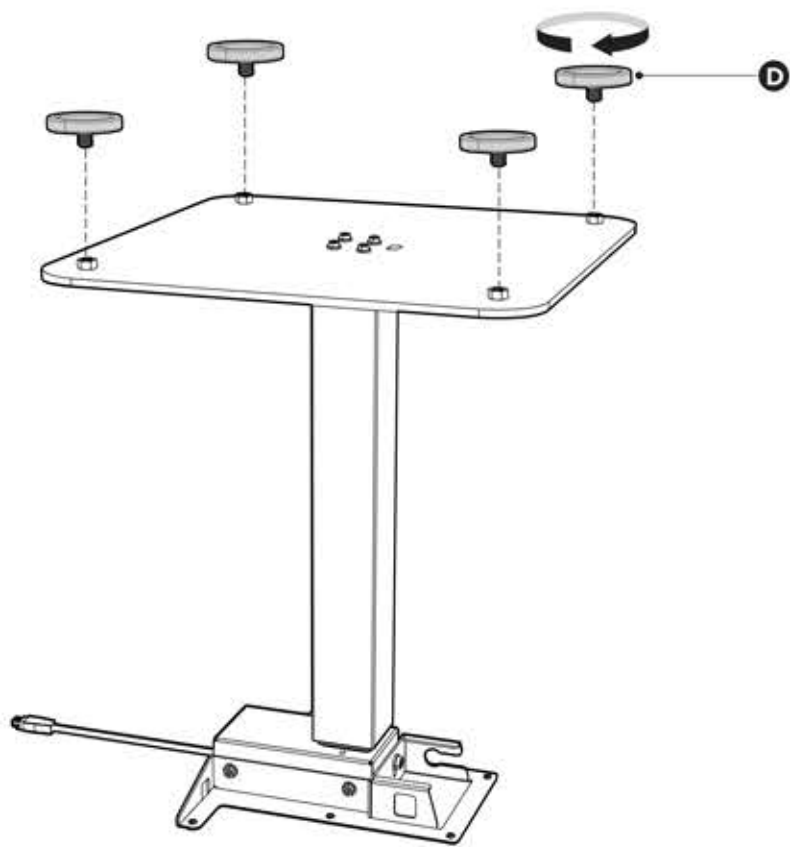


- Align the mounting holes on the **base C** with the screw holes on the lifting column.
- Insert the **4 screws S-B** into the mounting holes and tighten them.

Note: You will need another one's assistance with this step.

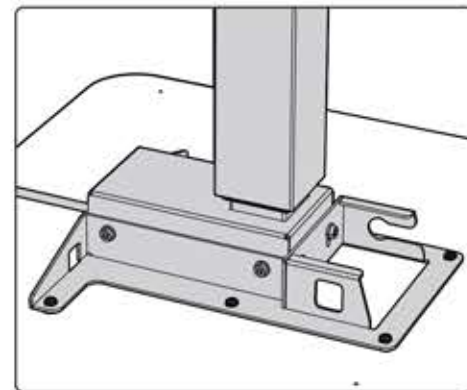
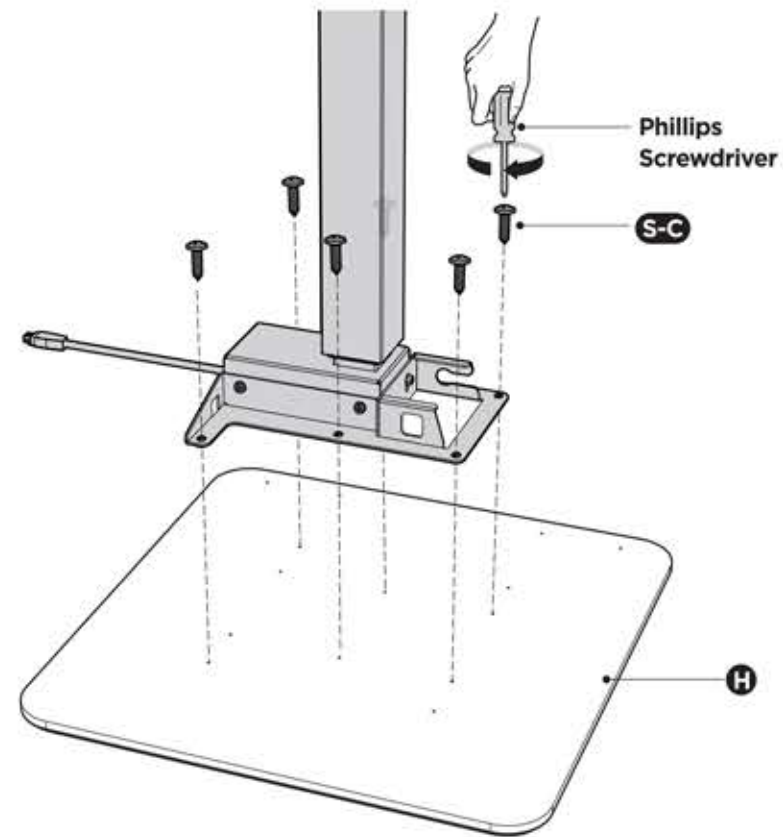


Assembling the Feet



- Align the **feet D** with the screw holes on the four corners of the base.
- Rotate the feet clockwise to fix them.

I Installing the Desktop

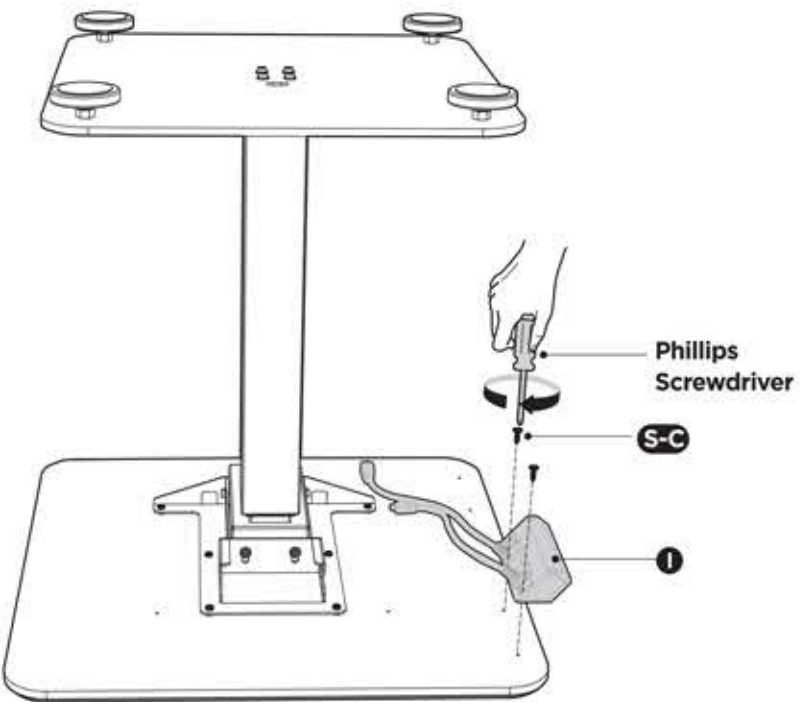


- Align the screw holes on the **desktop H** with the mounting holes on the support bar. Insert and tighten **6 screws S-C** from below.

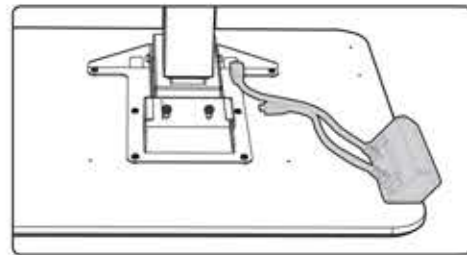
Note: You will need another one's assistance with this step.

⚠ Note: For **S03-13D**, you'll have to prepare the desktop by yourself. And the depth of mounting holes should be over **10mm** and the diameter should be less than **3.5mm**.

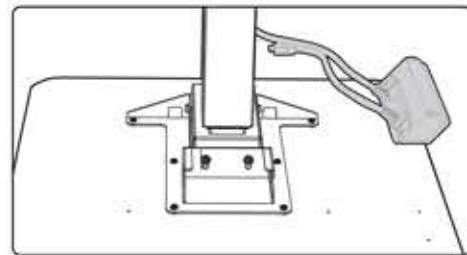
I Attaching the Control Panel



Note: The picture of the controller is for your reference only. Actual product may vary.

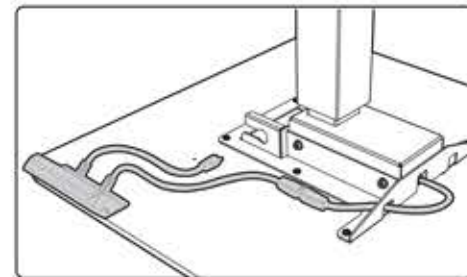
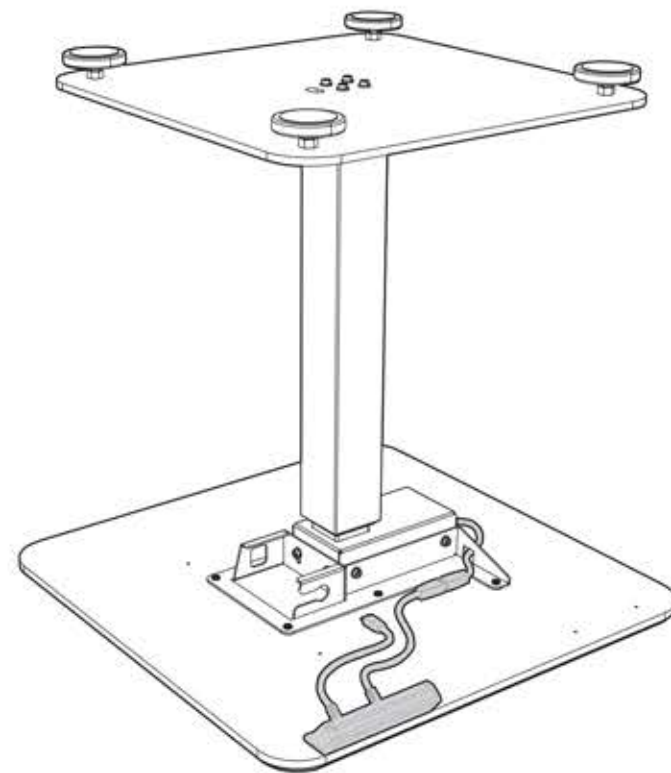


OR



• The control panel can be placed on either side of the desktop for your reference.

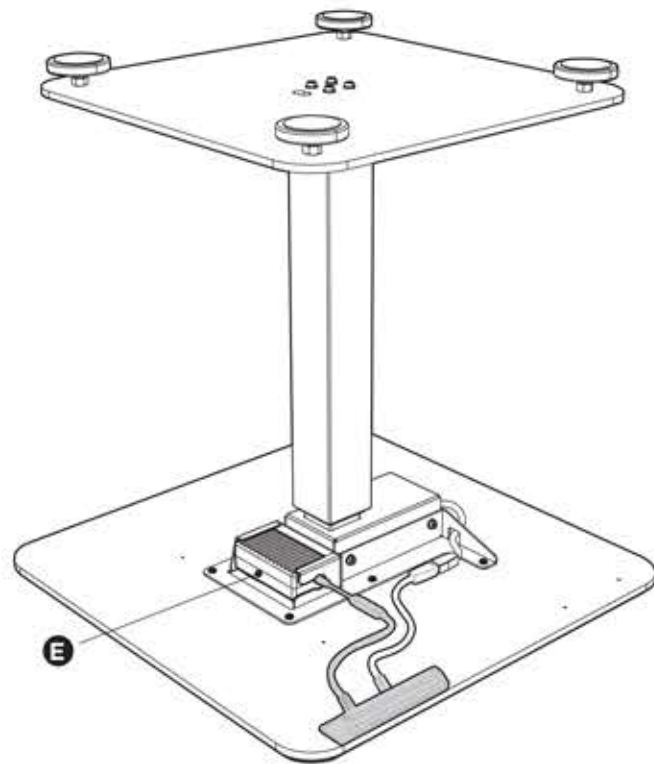
I Connecting the Motor Cord



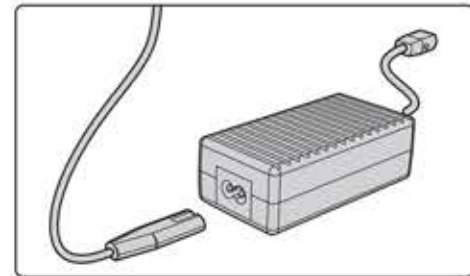
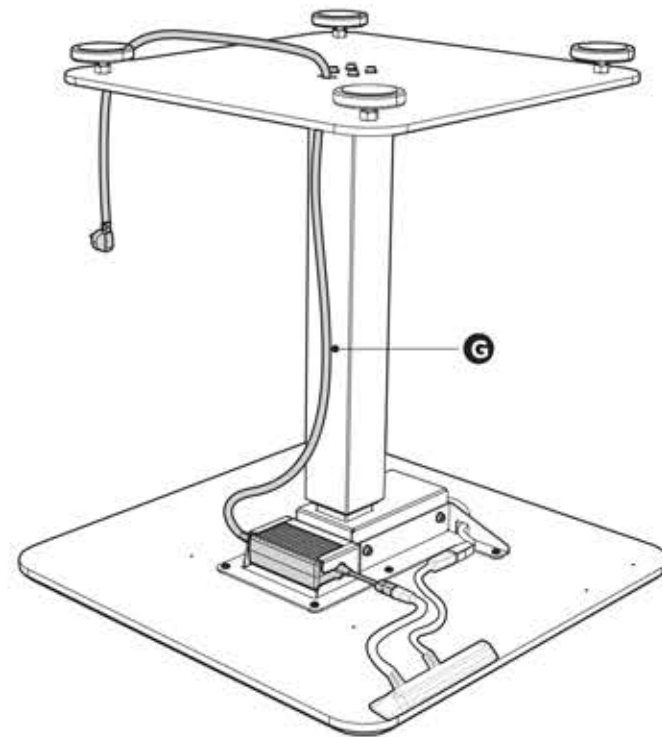
• Connect the right cord on the control panel to the motor cord.

I Installing the AC Adapter

- Connect the left cord on the control panel to the **AC adapter E**.

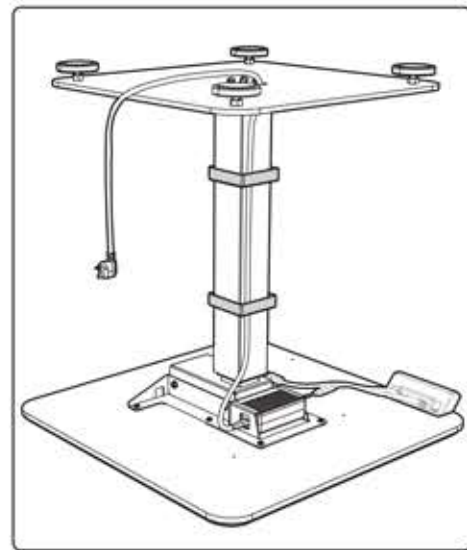
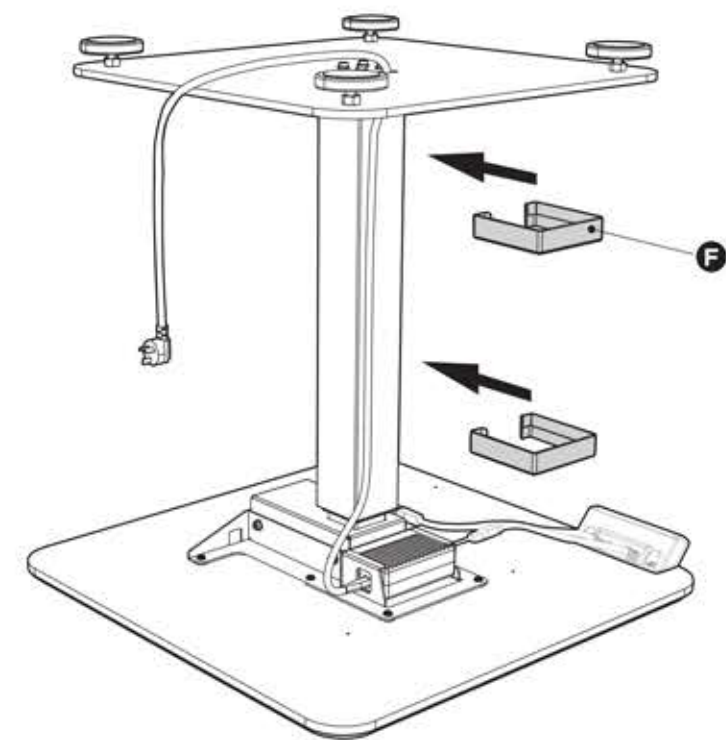


I Connecting the Power Plug

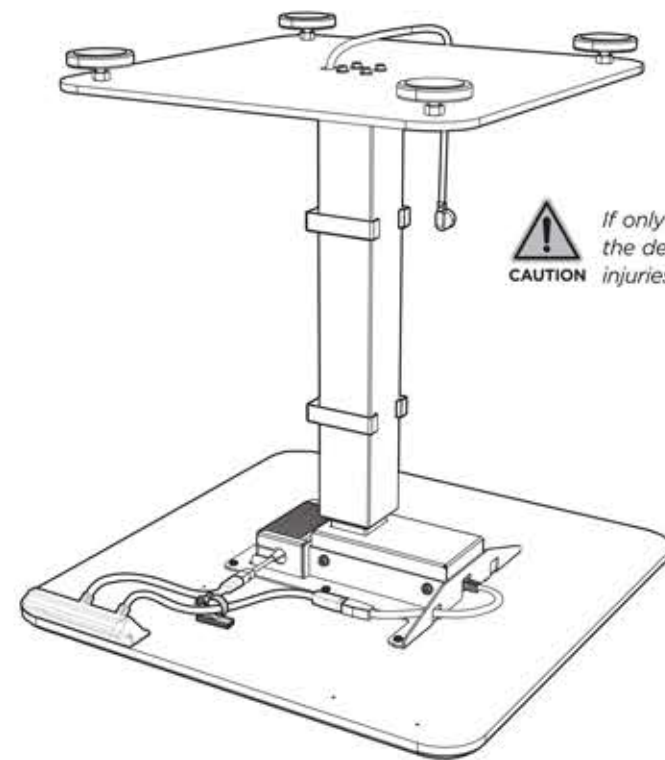


- Thread the cord of the **power plug G** through the hole on the base .
- Connect the power plug to the control.

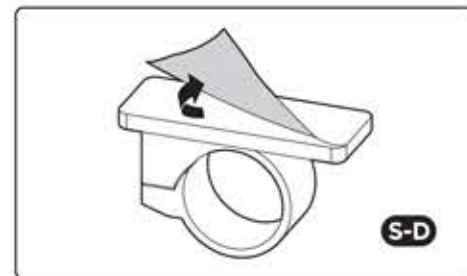
Attaching the Cable Management Clip to the Column



Attaching the Cable Management Clip to Desktop



If only one person turns over the desk frame, serious bodily injuries might occur.

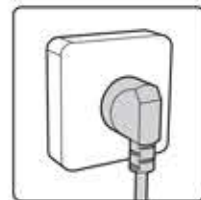
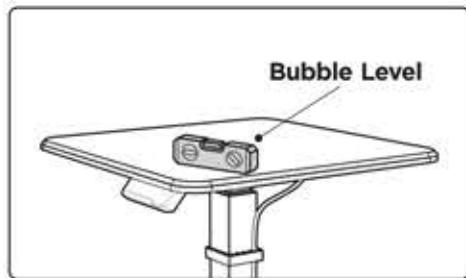
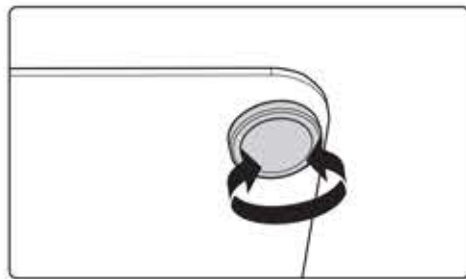


- Remove the back film of the under desk cable clip **S-D** and attach it to the back of the desktop.

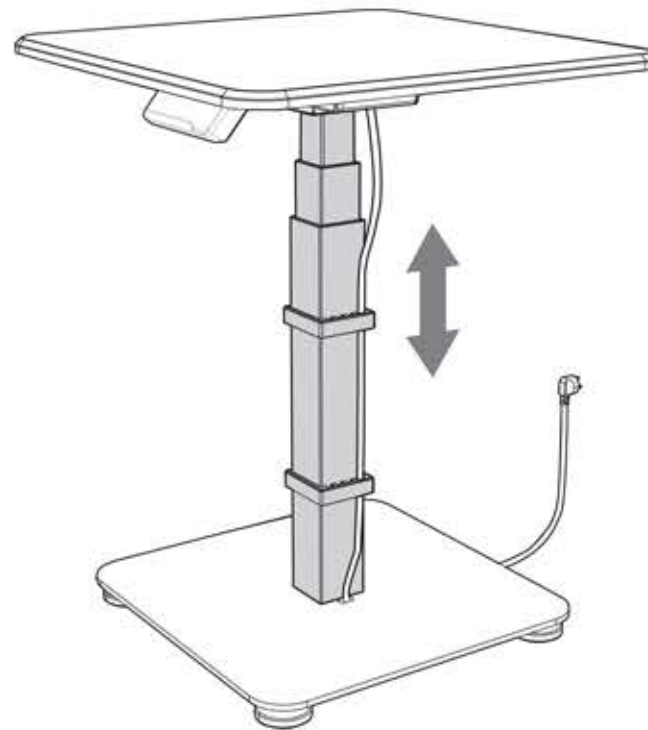
Low Profile Adjustment

There are four adjustable foot pads under the foot. If the floor isn't even, simply turn the pad to adjust the height to make the desk stable.

Tip: Use a **bubble level** to check if the desktop is even.



Connect the desk to power.
You can now use the sit-stand desk.



Note: We have another manual of the digital controller for detailed instruction. Please check the Digital Control Panel For Electric Height Adjustable Desk User Guide.