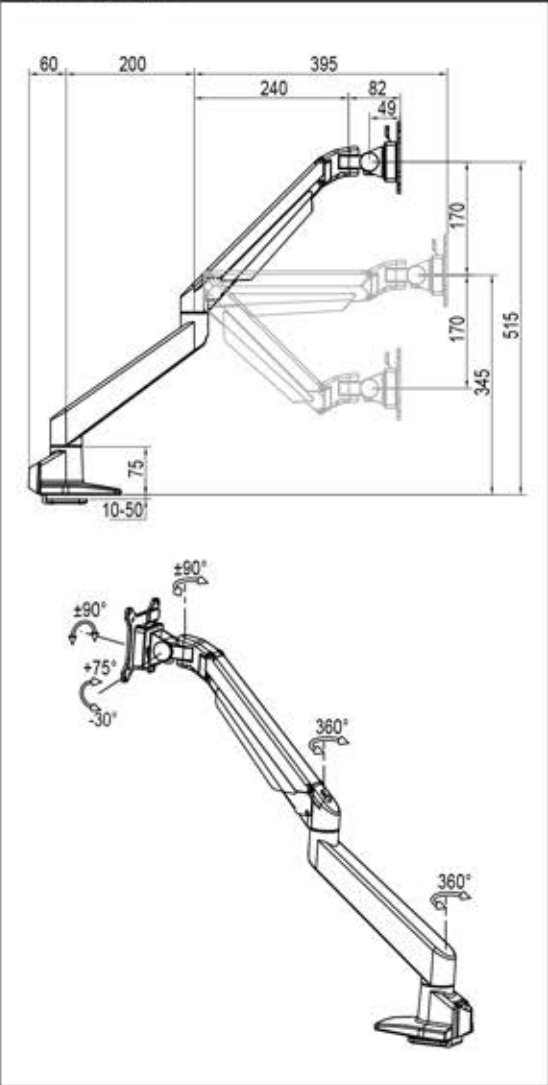


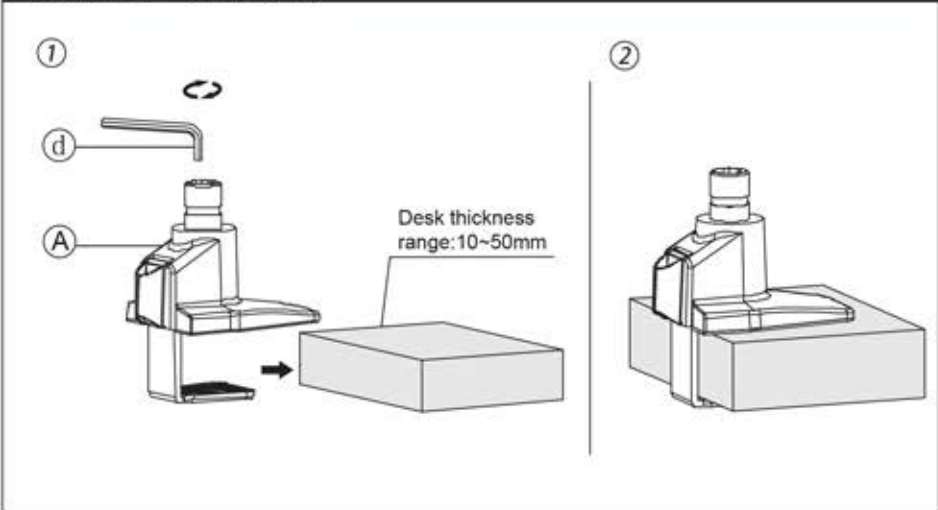
## Single Monitor Arm Installation

Product Specification												
Sketch											Desk thickness(mm)	
Item	Monitor size	Weight range (kg)	Lift(mm)	Tilt	Swivel	Pivot	VESA	Packing size (mm)	N.W(kg)	G.W(kg)	Thru-desk	Desk clamp
Specification	≤30°	2-10	340	+75°~ -30°	±90°	±90°	75*75	Inner: 475*195*140	Inner: 3.3	Inner: 3.8	50	50
		8-20						Outer: 490*210*440				
							100*100	Inner/Outside: 3/1				

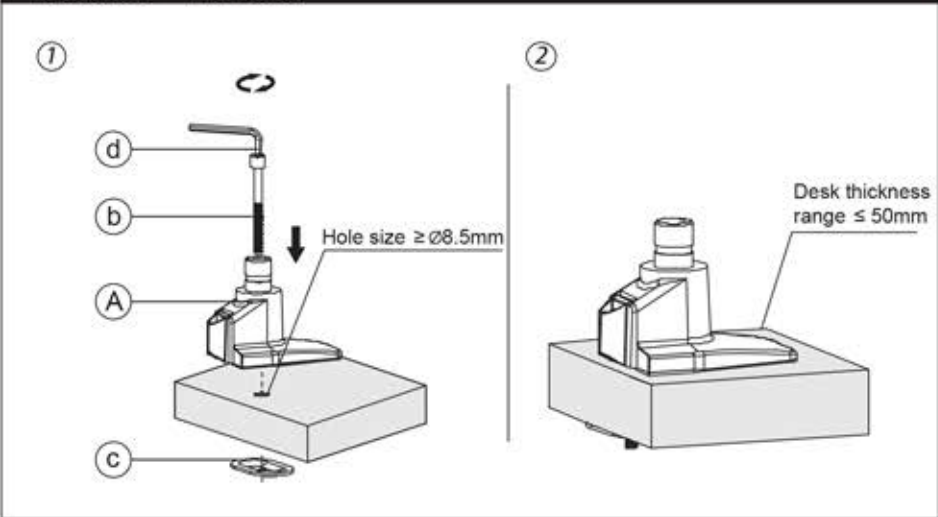
### Product Size



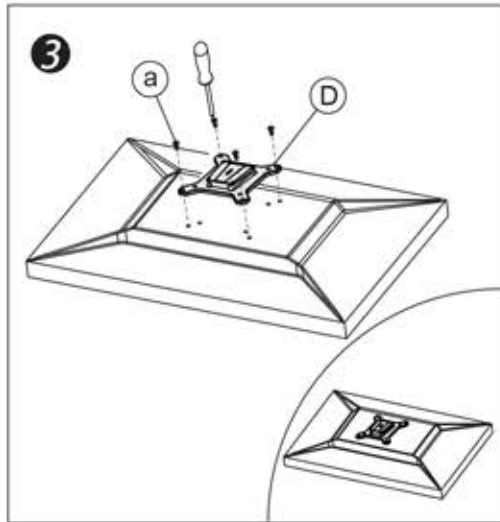
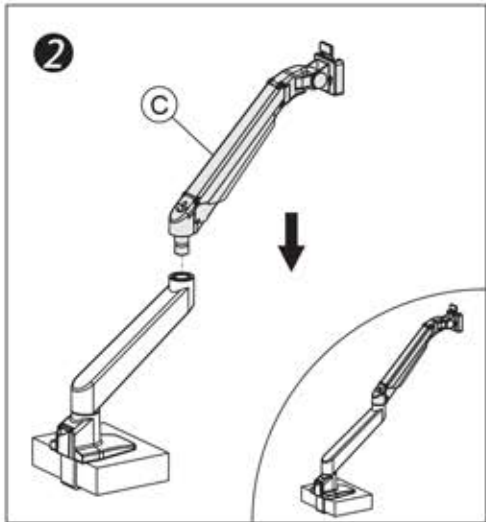
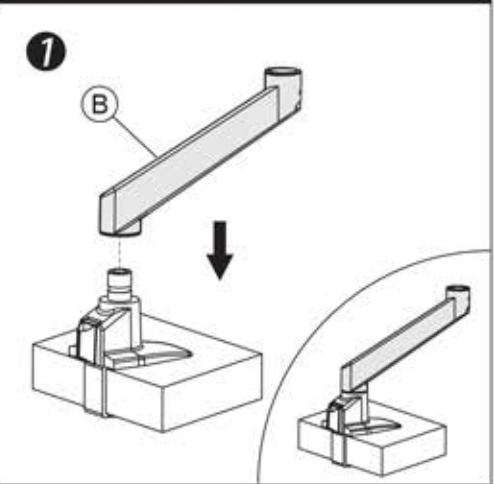
### Installation – Desk Clamp

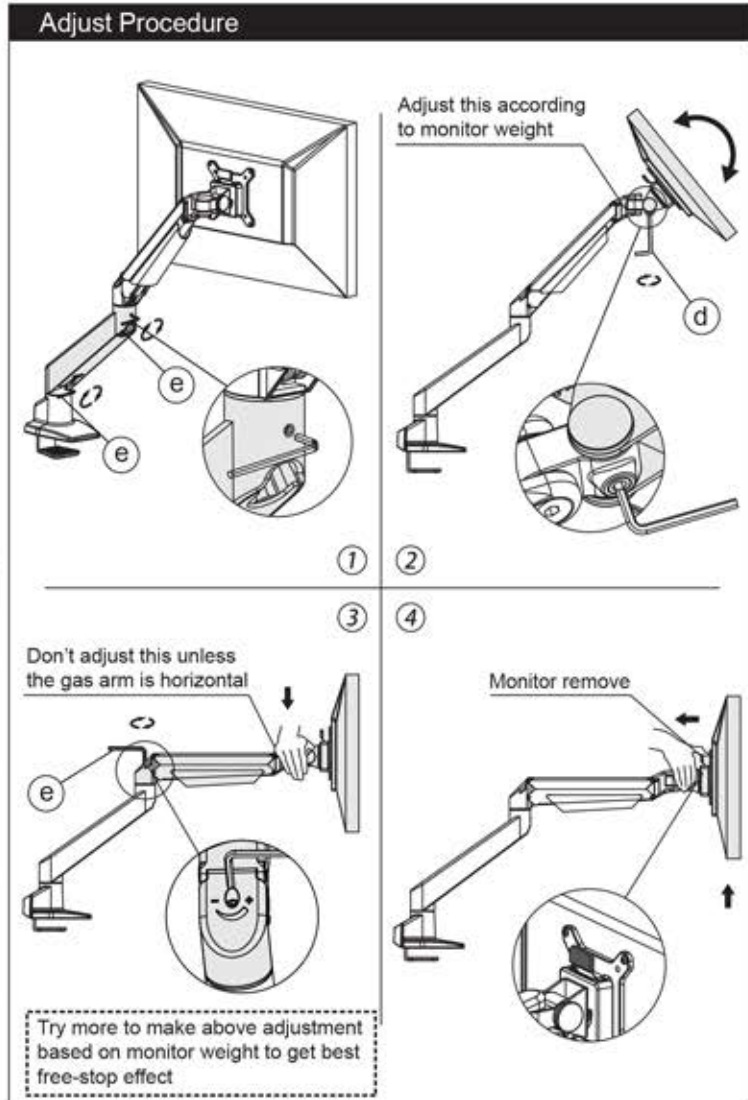
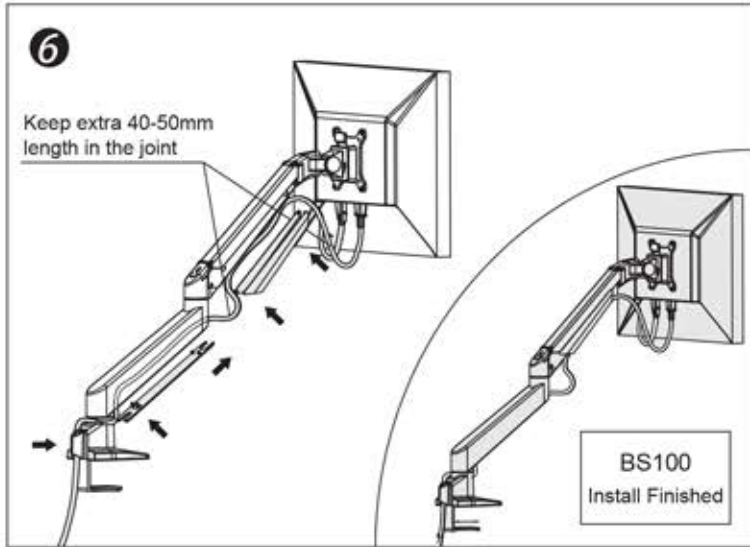
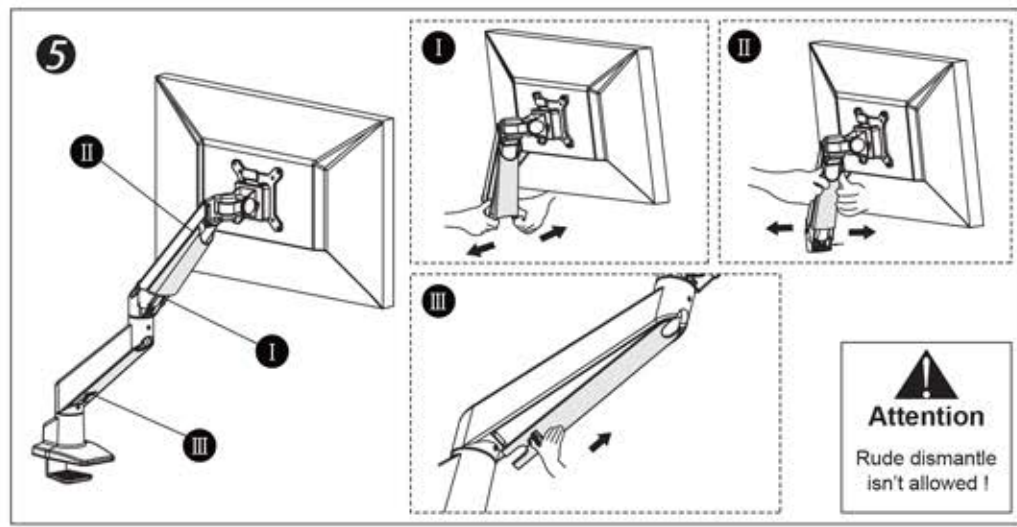
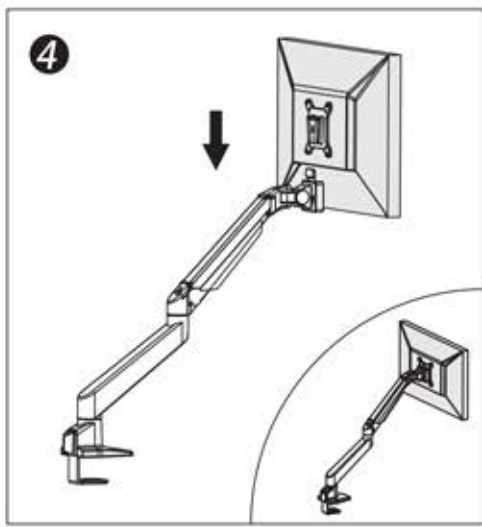


### Installation – Thru-desk



### Install Procedure





Module List			
No.	Sketch	Specs	Quantity
A			1
B			1
C			1
D			1

Part List			
No.	Sketch	Specs	Quantity
a		M4x14	4
b		M8x160	1
c			1
d		M6	1
e		M4	1