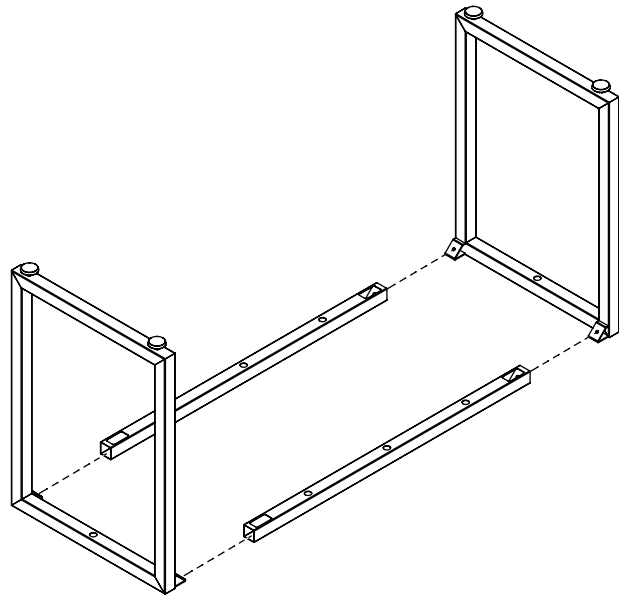


# FIXED SIDE TABLE INSTRUCTION MANUAL

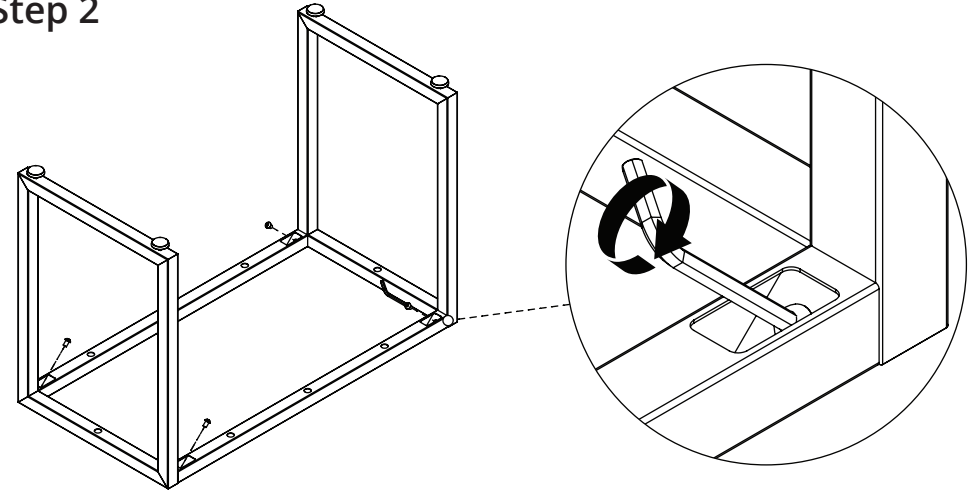
# DESKY

## Step 1



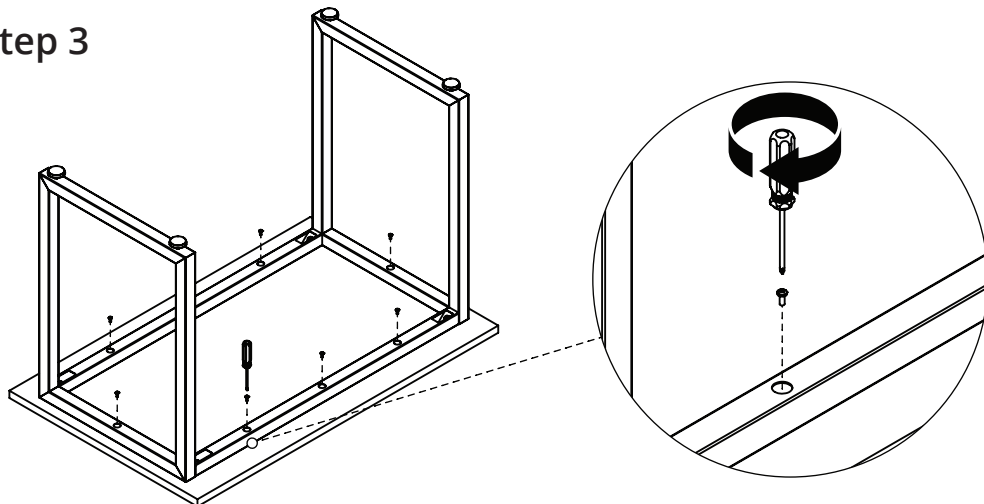
Slide the side table legs into the cross bars.

## Step 2



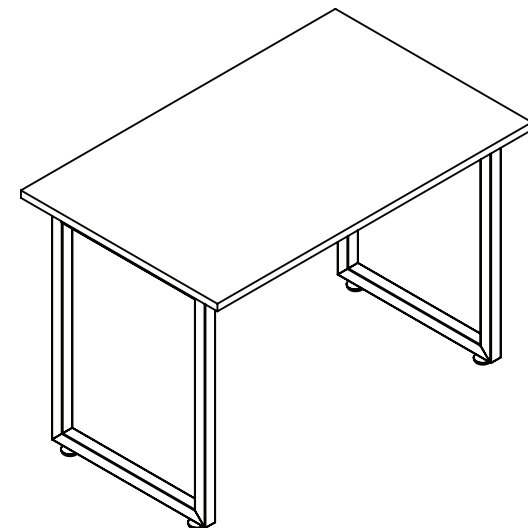
Tighten the 4 large hex screws to secure the legs to the cross bars

## Step 3



Secure the fixed frame into the desktop using the provided self tapping wood screws

## Step 4



Flip and enjoy!