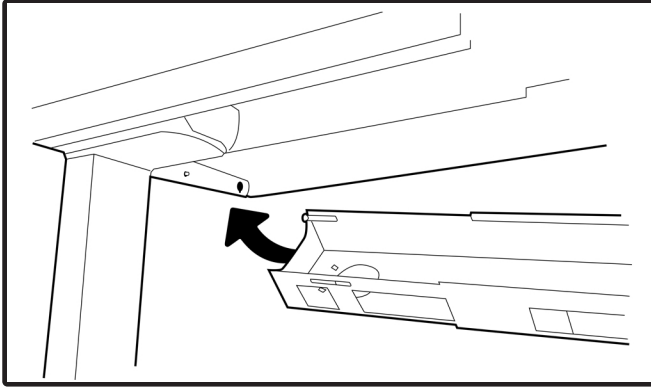


DESKY

www.desky.com.au

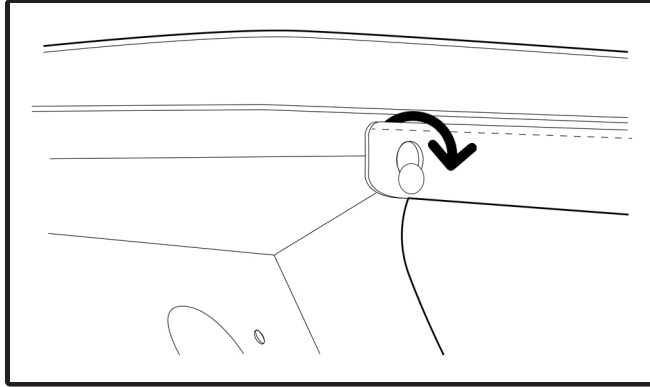
Desky Integrated Cable & Data Channel Installation Instructions

Step 1.



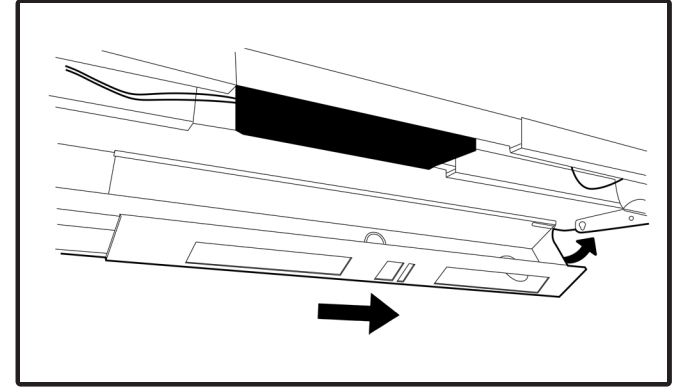
Slide one end of the cable management channel into the side bracket at the back of the Desky.

Step 2.



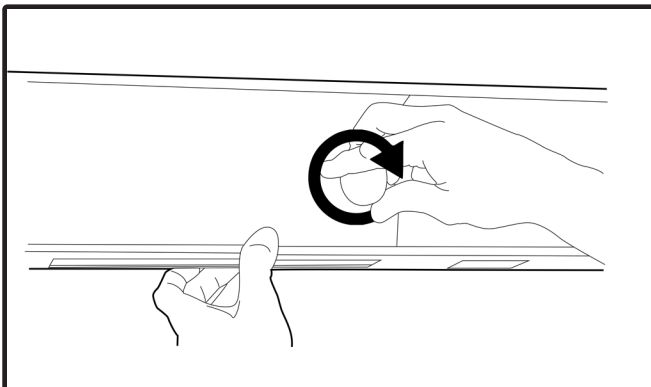
The cable management channel will fit onto the hole provided.

Step 3.



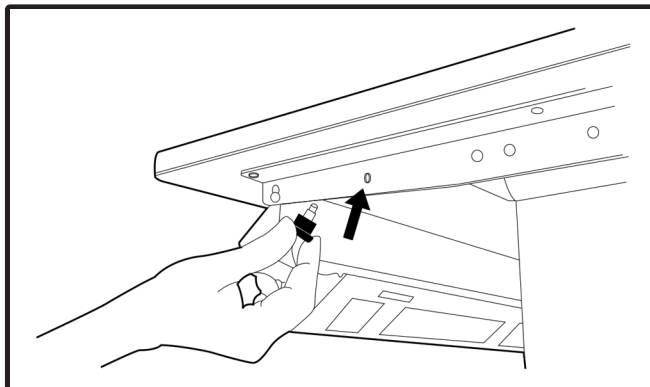
Extend the length of the channel to meet the opposing bracket and secure into place.

Step 4.



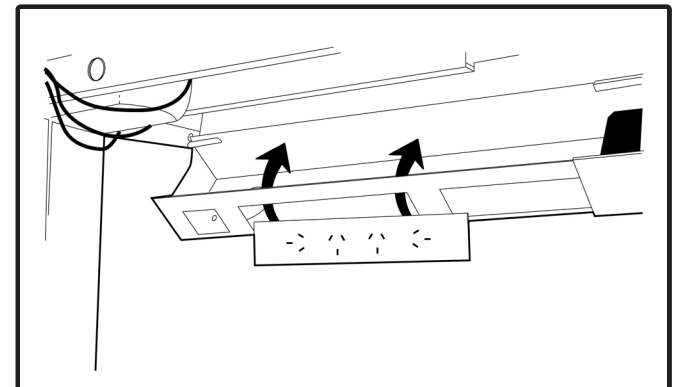
Tighten the centre knob to secure the tray into position. This will ensure that the component does not move nor slide.

Step 5.



Insert and screw into place the spring loaded release screws into the side bracket (either side).

Step 6.



The purpose fit cutouts in the channel fit our Elsafe powerboards - These click seamlessly into the tray.