

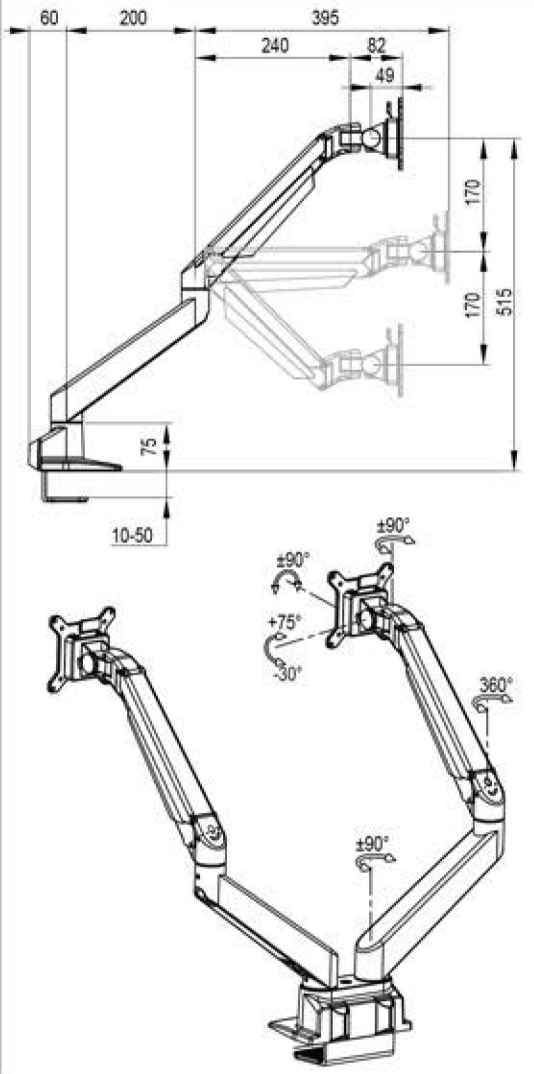
Dual Monitor Arm Installation

DESKY

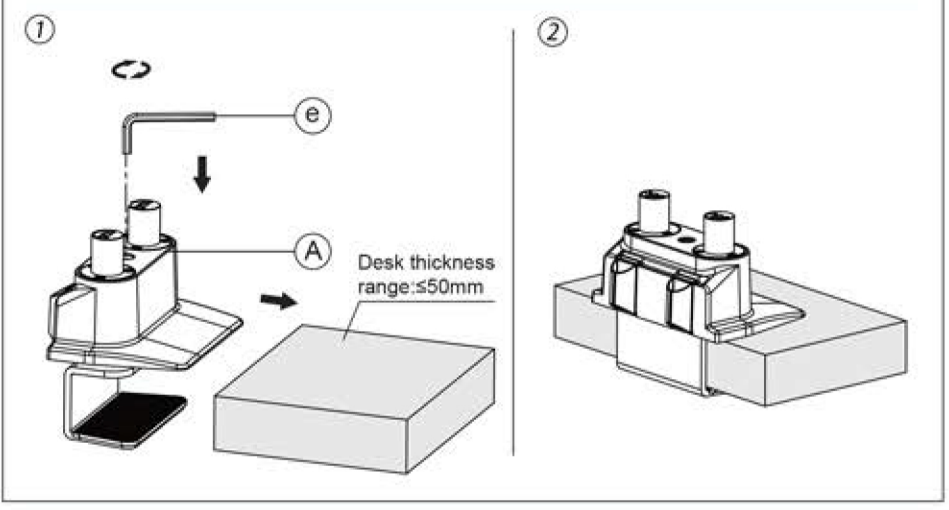
Product Specification

Sketch											Desk thickness(mm)	
Item	Monitor size	Weight range (kg)	Lift(mm)	Tilt	Swivel	Pivot	VESA	Packing size (mm)	N.W(kg)	G.W(kg)	Thru-desk	Desk clamp
Specification	≤27"	2-10	340	+75°~ -30°	±90°	±90°	75*75	Inner: 580*225*165	Inner: 6.5	Inner: 7.5	60	50
		8-20						Outer: 595*240*515				

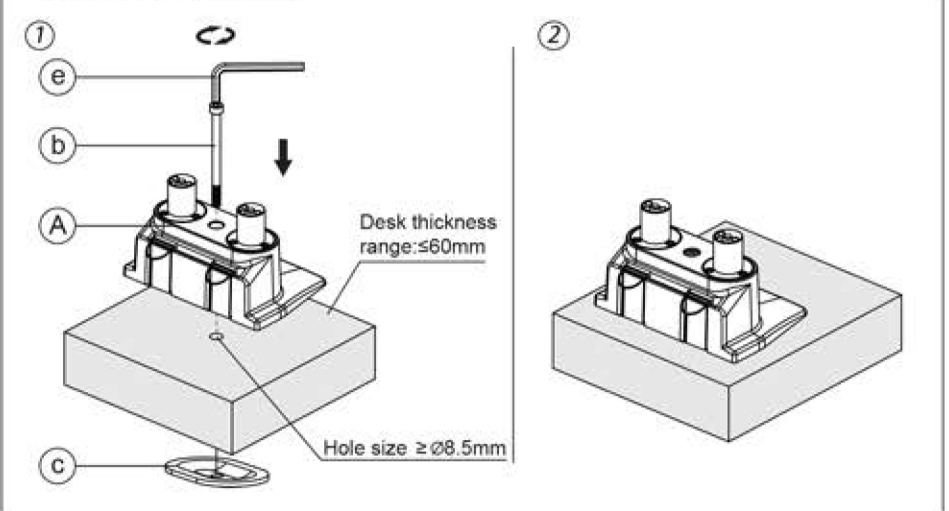
Product Size



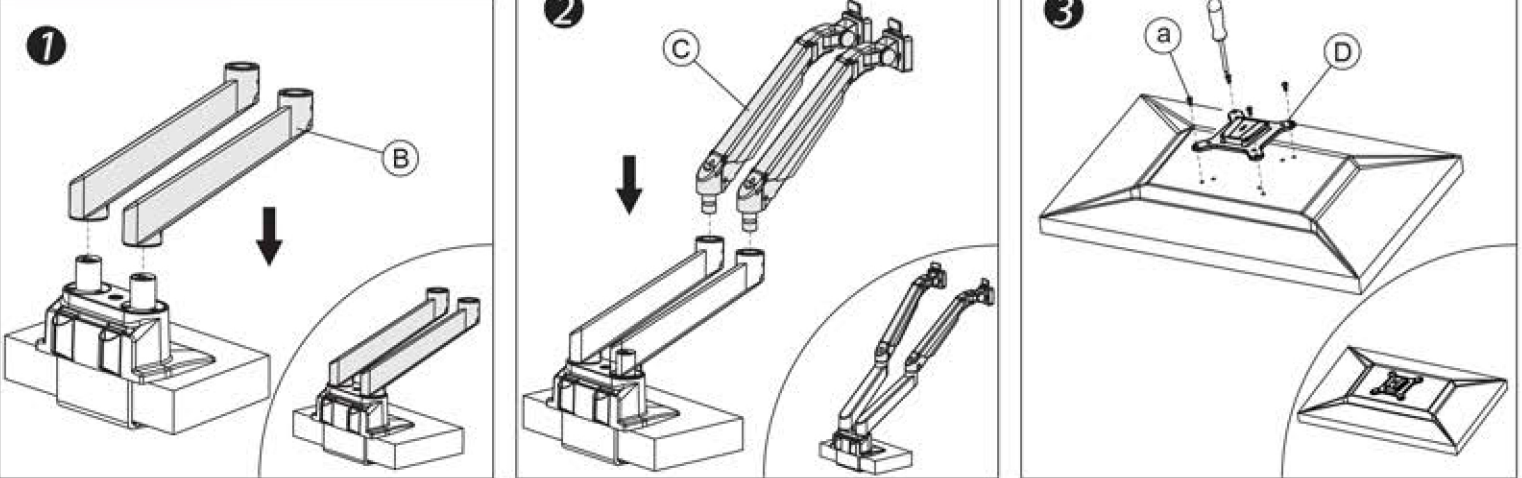
Installation – Desk Clamp

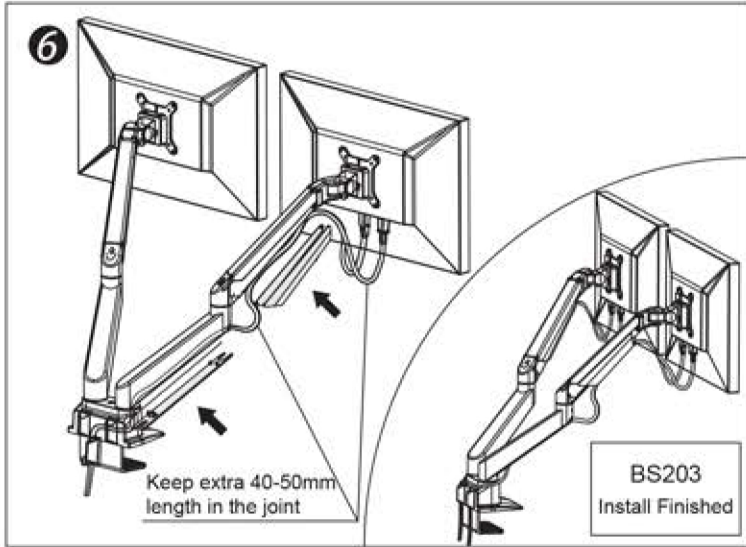
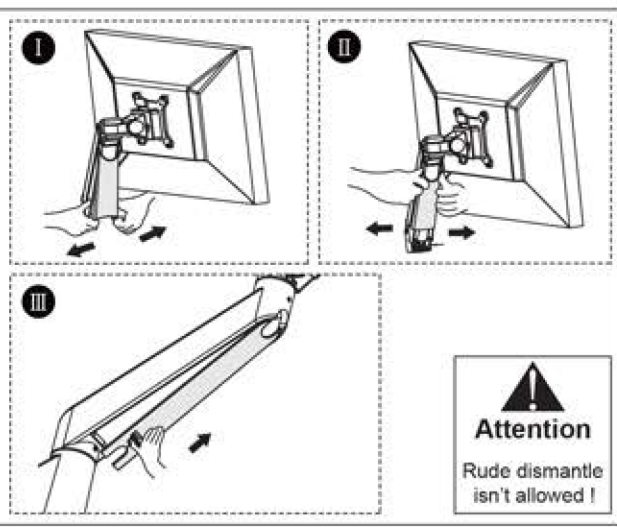
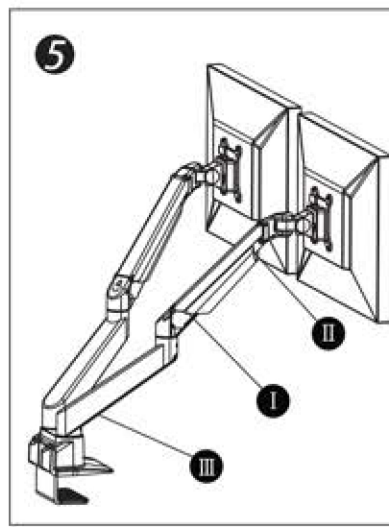
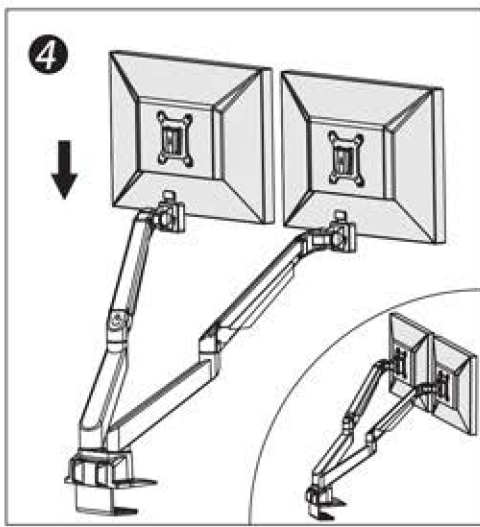


Installation – Thru-desk

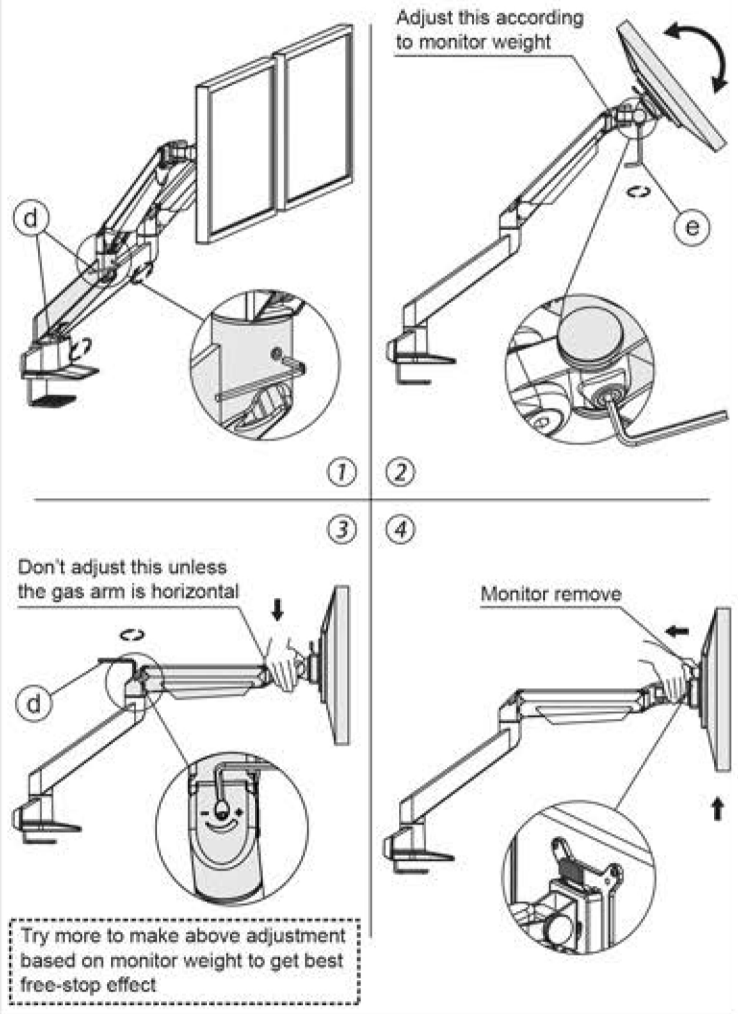


Install Procedure





Adjust Procedure



Module List			
No.	Sketch	Specs	Quantity
A			1
B			2
C			2
D			2

Part List			
No.	Sketch	Specs	Quantity
a		M4x14	8
b		M8x160	1
c			1
d		M4	1
e		M6	1