

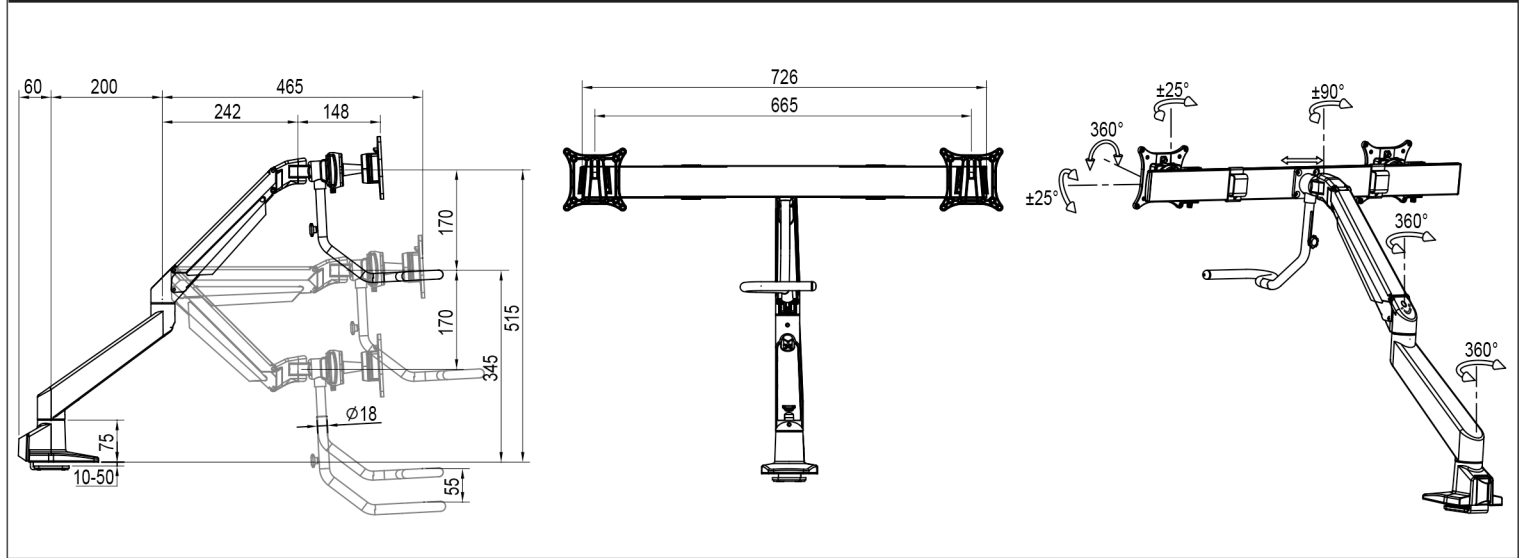
# DESKY

## Dual Bar Monitor Arm

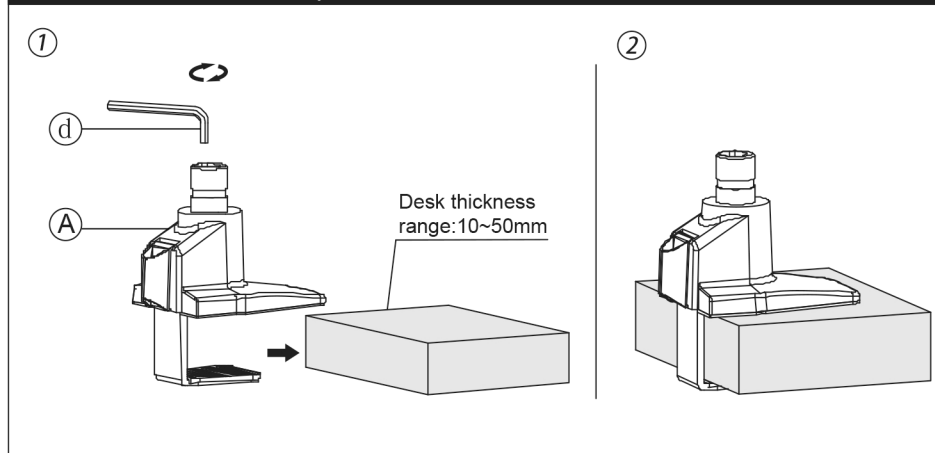
### Product Specification

Sketch											Desk thickness (mm)		
Item	Monitor size	Weight range (kg)	Lift (mm)	Tilt	Swivel	Pivot	VESA	Packing size (mm)	N.W(kg)	G.W(kg)	Thru-desk	Desk clamp	
Specification	≤27"	2-10	340	+25°~ -25°	±90°	360°	75*75	Inner:760*215*165	Inner: 4.1	Inner: 4.8	50	50	
		100*100					Outside:780*235*515	Outside: 12.3					Outside: 15.6
							Inner/Outside:3/1						

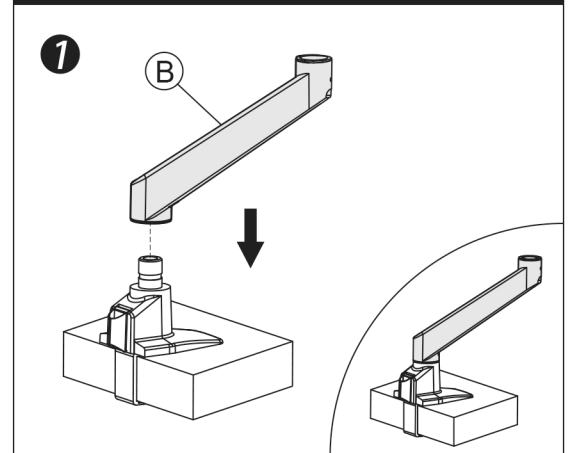
### Product Size



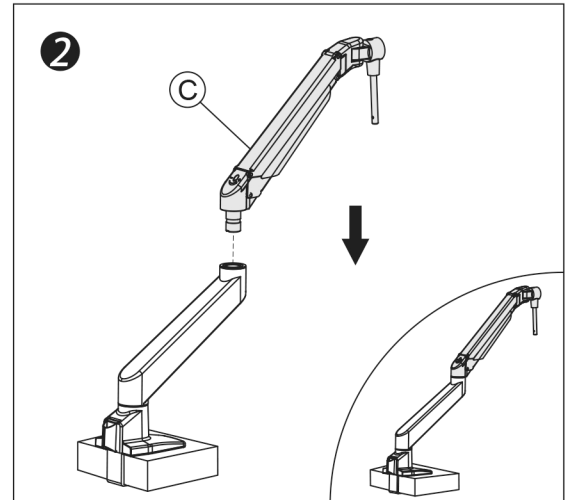
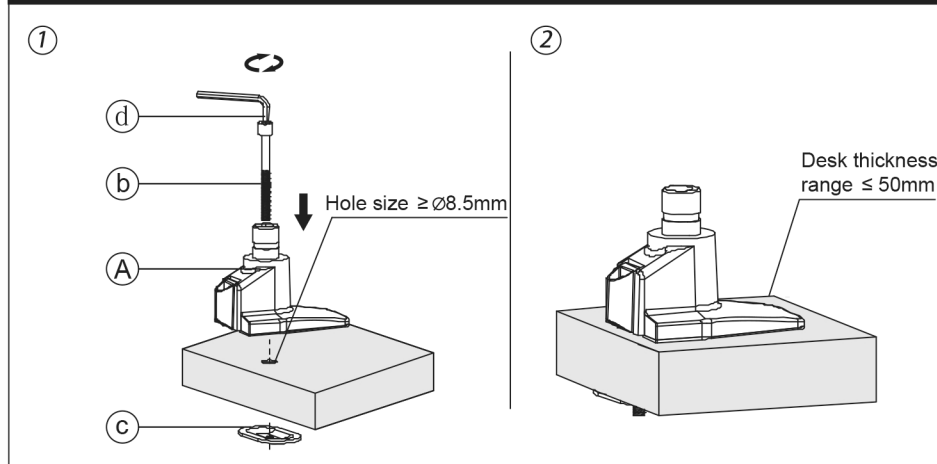
### Installation – Desk Clamp

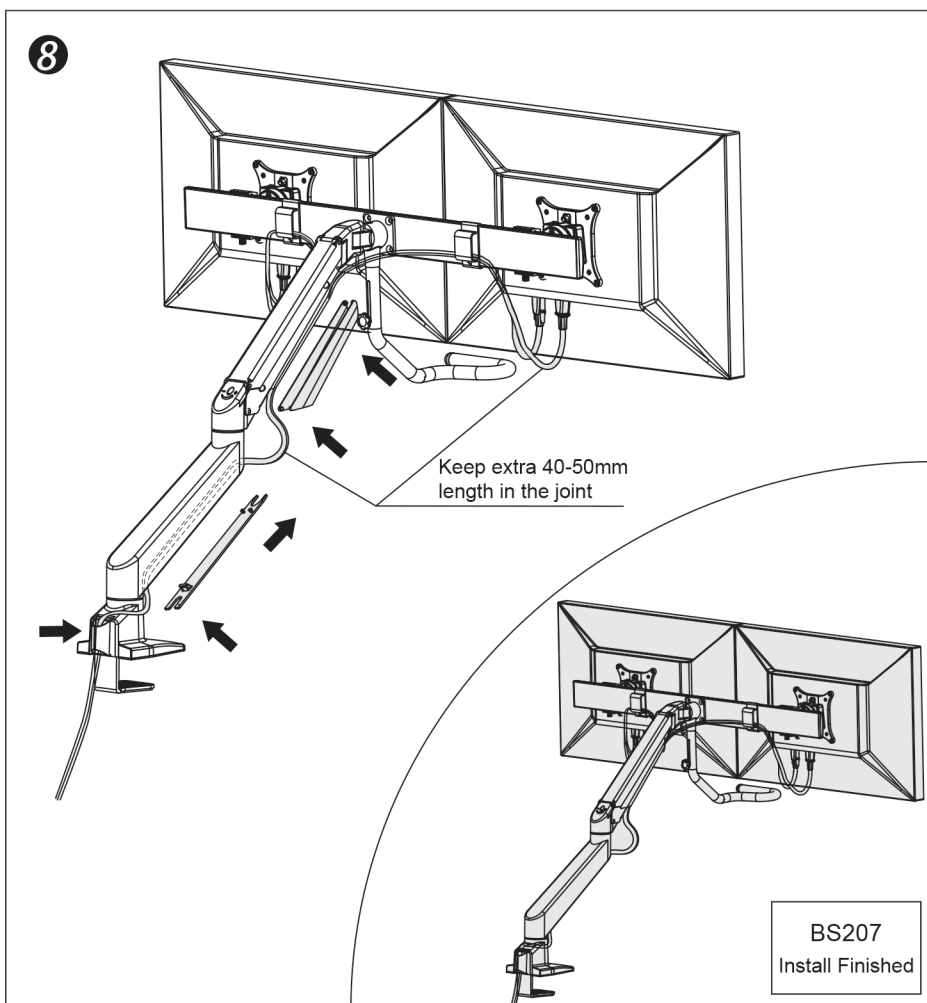
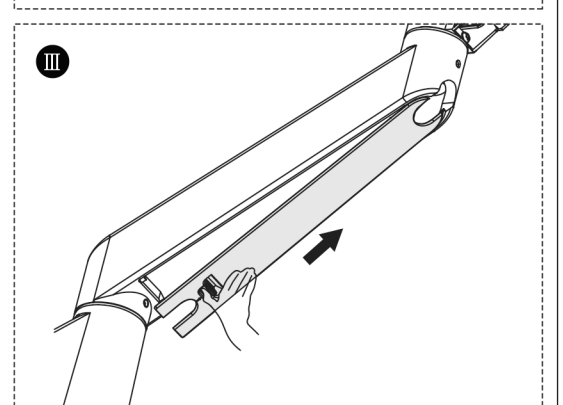
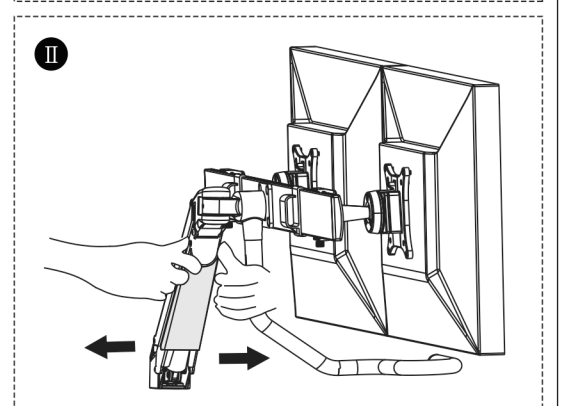
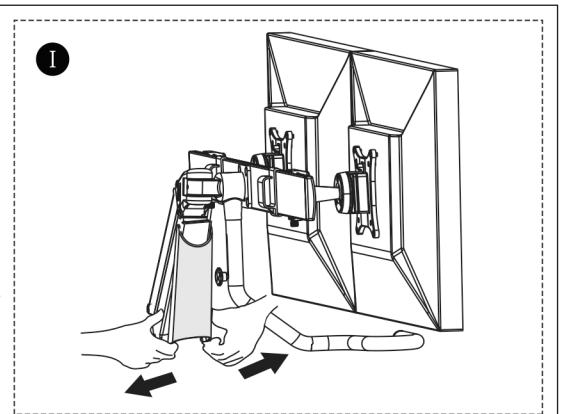
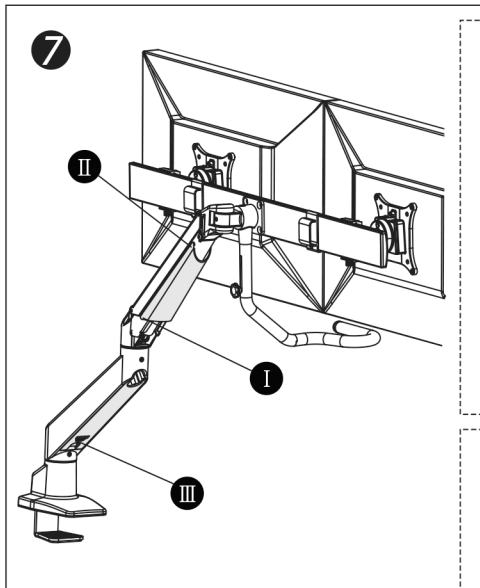
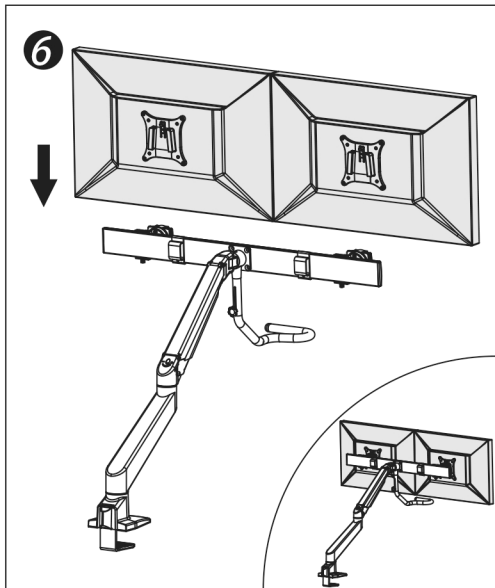
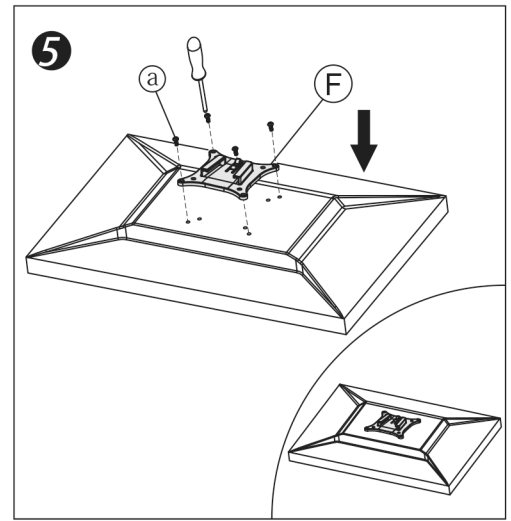
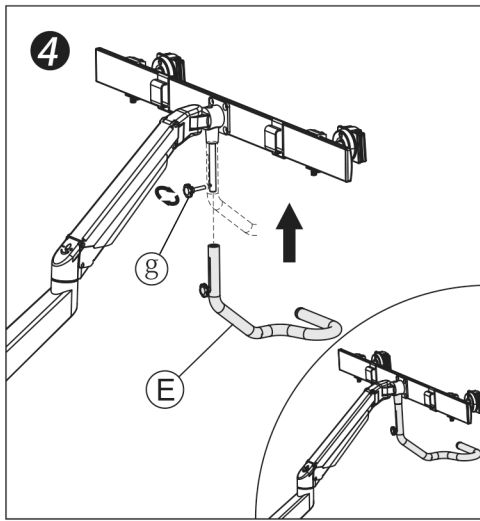
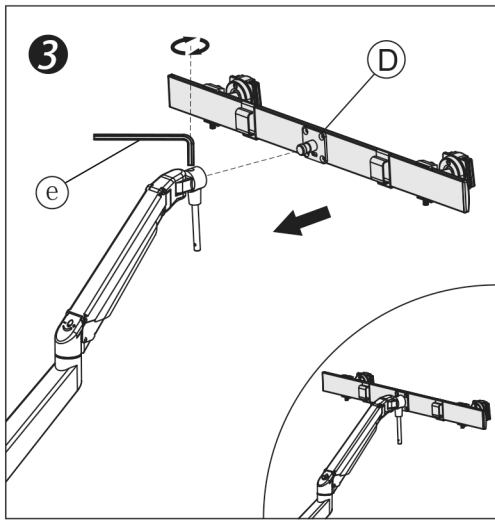


### Install Procedure



### Installation – Thru-desk

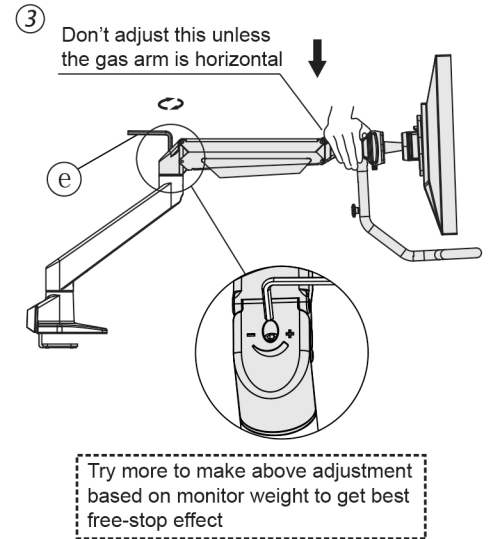
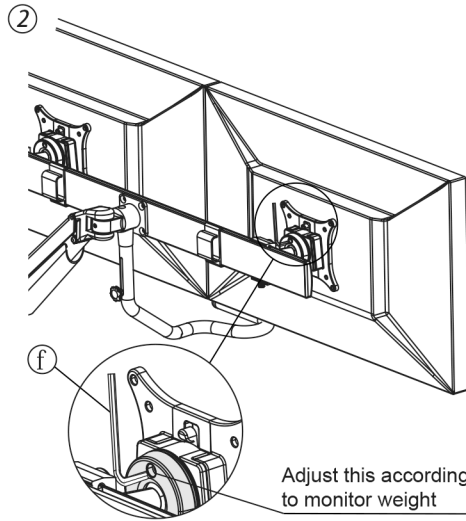
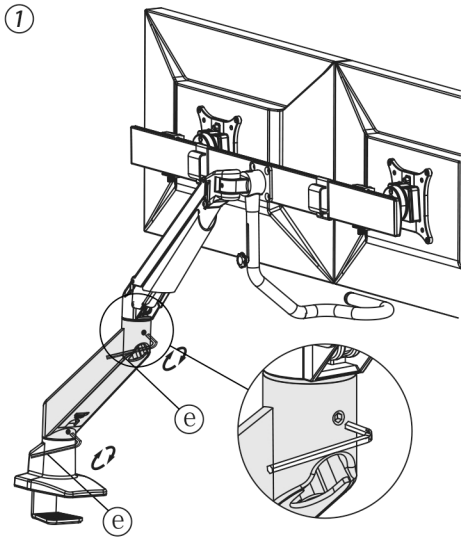




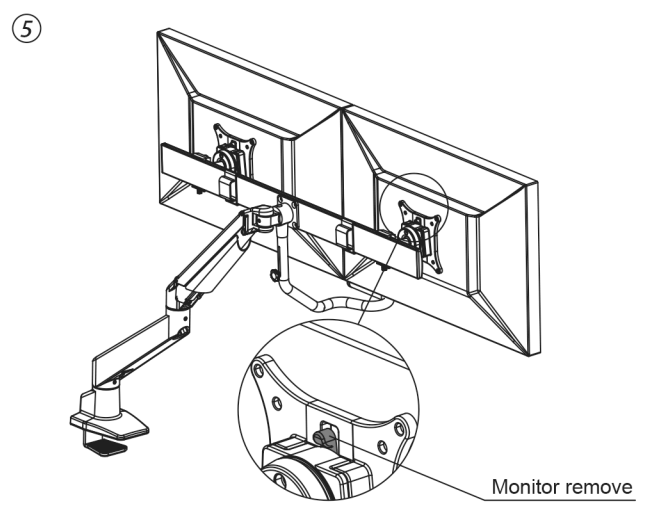
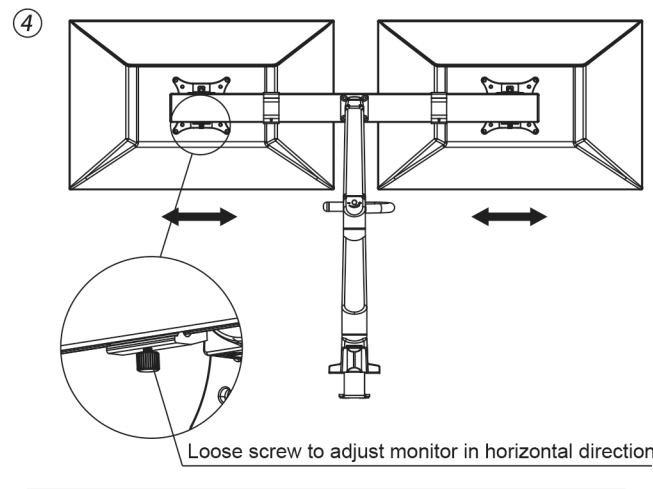
**Attention**  
Rude dismantle isn't allowed !

BS207  
Install Finished

# Adjust Procedure



Module List			
No.	Sketch	Specs	Quantity
A			1
B			1
C			1
D			1
E			1
F			2



Part List			
No.	Sketch	Specs	Quantity
a		M4x12	8
b		M8x160	1
c			1
d		M6	1
e		M4	1
f		M3	1
g		M4x20	1