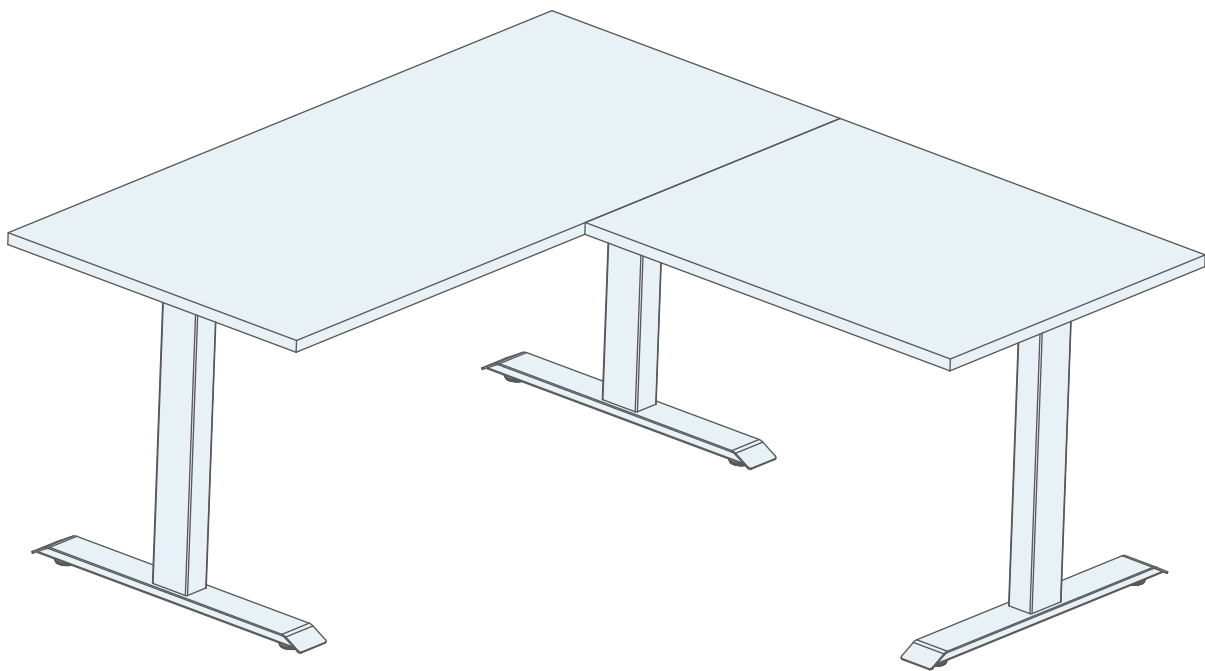


DESKY



DESKY L-SHAPE SIT STAND DESK INSTRUCTION MANUAL

DESKY

Welcome!

Thank you for choosing DESKY. We are so excited that you will be creating a healthier work environment with one of our ergonomically designed electric height adjustable desks!

Whether your work happens at home or at the office you can benefit from the latest in height adjustable desk technology that comes in each DESKY height adjustable desk. Now you have the choice to sit or stand with a desk that adapts to your needs and style!

Please read this manual carefully and keep in a safe place for future reference.

We hope you enjoy your new DESKY!

-DESKY Team

INSTRUCTIONAL VIDEO



DESKY

Safety Instructions	4
Unpacking & Preparation	6
Parts List & Tools	7
Components Diagram	8
Assembly Instructions	9
Operating Controller	17
Programming Controller	18
Troubleshooting	22
Warranty Info	23

DESKY

SAFETY INSTRUCTIONS

Please read this Instruction Manual carefully. This desk is height adjustable so that it can be best positioned to suit a user's ergonomic height as directed in this manual.

Failure to comply with or observe all safety, assembly and operating instructions and warnings in this Instruction Manual may result in property damage, bodily injury or damage to the product itself.

Before beginning assembly of your DESKY:



Read and understand this Instruction Manual fully before attempting to assembly or operate the product. This is required to safely and properly operate the product.



Ensure that everyone who uses the product is familiar with the contents of this Instruction Manual.

Users must observe the following safety warnings:



Indoor use only. This product is designed for use in dry environments only and contains electric motors. Risk of fire, electric shock or injury if used outdoors.



Make sure there are no obstacles in the desk's height path. Do not place objects taller than 50cm under the desk frame. If objects taller than 50cm are required to sit underneath, please refer to the minimum and maximum height limit programming instructions in this manual.



Ensure all cords are an appropriate length to accommodate changes in the height of the desk during operation.



Do not sit or stand on the desk frame once assembled. Do not crawl or lie under the desk frame once assembled.



Only plug the desk into a properly grounded 240v (AU), 120v (US/CA) outlet. Unplug the desk from the electrical outlet before moving the desk or adding & removing accessories. Risk of electric shock.

DESKY

SAFETY INSTRUCTIONS



Do not open any desk component or insert any object in a desk component. Risk of electric shock. Opening any desk component will void the product warranty.



Keep fingers and all body parts clear of the moving desk and all moving components. Risk of crush injury and bodily injury.



The desk's anti-collision system is premised on proper operation by the user and observation of all directions in this manual. It is not a system that will avoid collisions under all conditions as different impacts may or may not cause the system's sensors to activate.



The desk's electric motors require a duty cycle of 10%. A 2 minute on, 18 minute off duty cycle is required based on a continuous motor run time. Not observing the correct duty cycle can over heat the motors and reduce their lifespan.



Do not expose desk components to liquids. In case of spilled liquids, immediately unplug the desk. Risk of desk failure or electric shock if desk components become wet.



In the event of a power outage/ surge or if the power cord is unplugged, a manual reset may be necessary - please see the troubleshooting section.

PRODUCT USE / LIABILITY

Prior to operating this desk for the first time, users must ensure that all components have been assembled as directed in this manual and that all cables are connected to the control box before it is connected to a power outlet.

Users must inspect all components and cables to ensure there are no signs of damage. Do not operate if there are signs of damage.

This desk is height adjustable so that it can be best positioned to suit a user's ergonomic height as directed in this manual. Any other use is at the user's risk. Under no circumstances does the manufacturer accept warranty claims or liability claims for damages caused from improper use or handling of the desk frame.

DESKY

UNPACKING AND PREPARATION

UNPACKING

It is important when you receive your DESKY that all frame components are carefully removed from the packaging and inspected for shipping damage.

Please report any damage to us immediately so we can rectify this for you as quickly as possible.



PREPARATION

Check the parts list in this manual to ensure that all necessary components have been received. The DESKY Corner Desk components are shipped in two (3) separate shipping boxes. Excluding the desktop.



If you have also ordered a desktop from us we recommend leaving this in its shipping box until it is needed to avoid any damage to the surface finish.

Remove all desk frame components from the packaging and lay on a non-abrasive surface like a carpet or rug. Contact with hard and/or abrasive surfaces may cause damage to the finish of the desk frame. Count all pieces before disposing of any packaging material.

Before assembly, consider where you want your desk to be located. You will need a clear, dry indoor area to set up and assemble your desk. All the necessary tools to set up your DESKY frame are included for easy assembly.



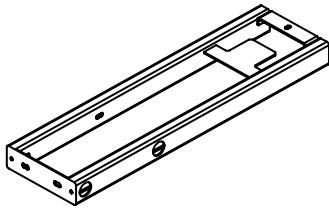
NOTE: If you have not purchased a desktop from us with threaded screw inserts or pre-drilled holes you will need a Phillips head screwdriver or power drill to fix the frame to your desktop.

ESKY

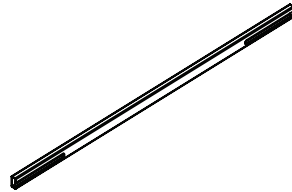
PARTS LIST & TOOLS

BOX 1

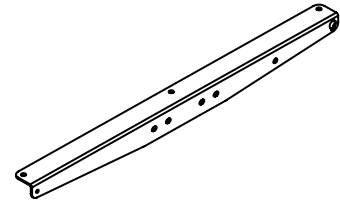
A - CROSSBAR ENDS
QTY: 2



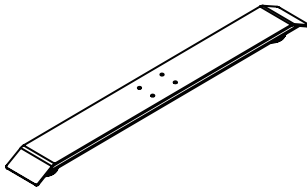
B - CROSSBAR RAILS
QTY: 2



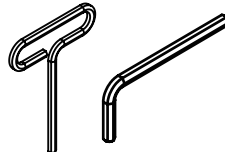
C - SIDE BRACKETS
QTY: 2



D - FOOT
QTY: 2



E - HEX KEY
QTY: 2 - Size 4



F - MACHINE SCREWS
QTY: 38 - M6x14mm



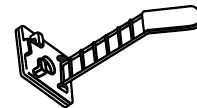
G - GRUB SCREWS
QTY: 8 - M6



H - TIMBER SCREWS
QTY: 14 - 10Gx15mm

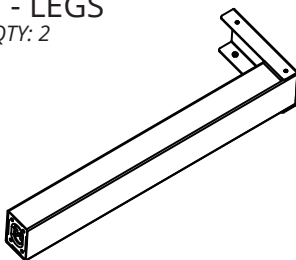


I - CABLE CLIPS
QTY: 10



BOX 2

J - LEGS
QTY: 2



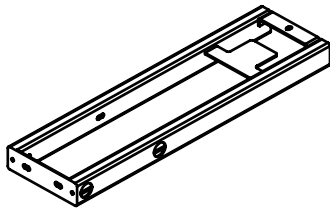
DESKY

PARTS LIST & TOOLS

BOX 3

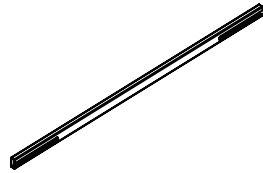
K - CROSSBAR END

QTY: 1



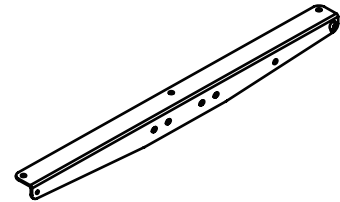
L - CROSSBAR RAILS

QTY: 2



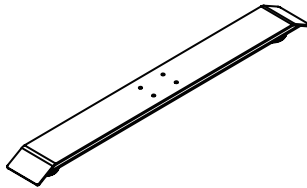
M- SIDE BRACKETS

QTY: 1



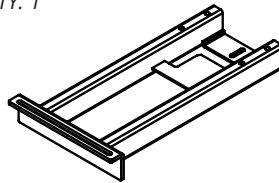
N - FOOT

QTY: 1



**O - CONNECTING CROSS
BAR**

QTY: 1



P - MACHINE SCREWS

QTY: 16 M6x14



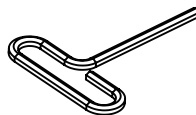
Q- TIMBER SCREWS

QTY: 5



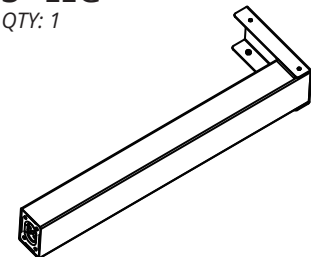
R - HEX KEY

QTY: 1



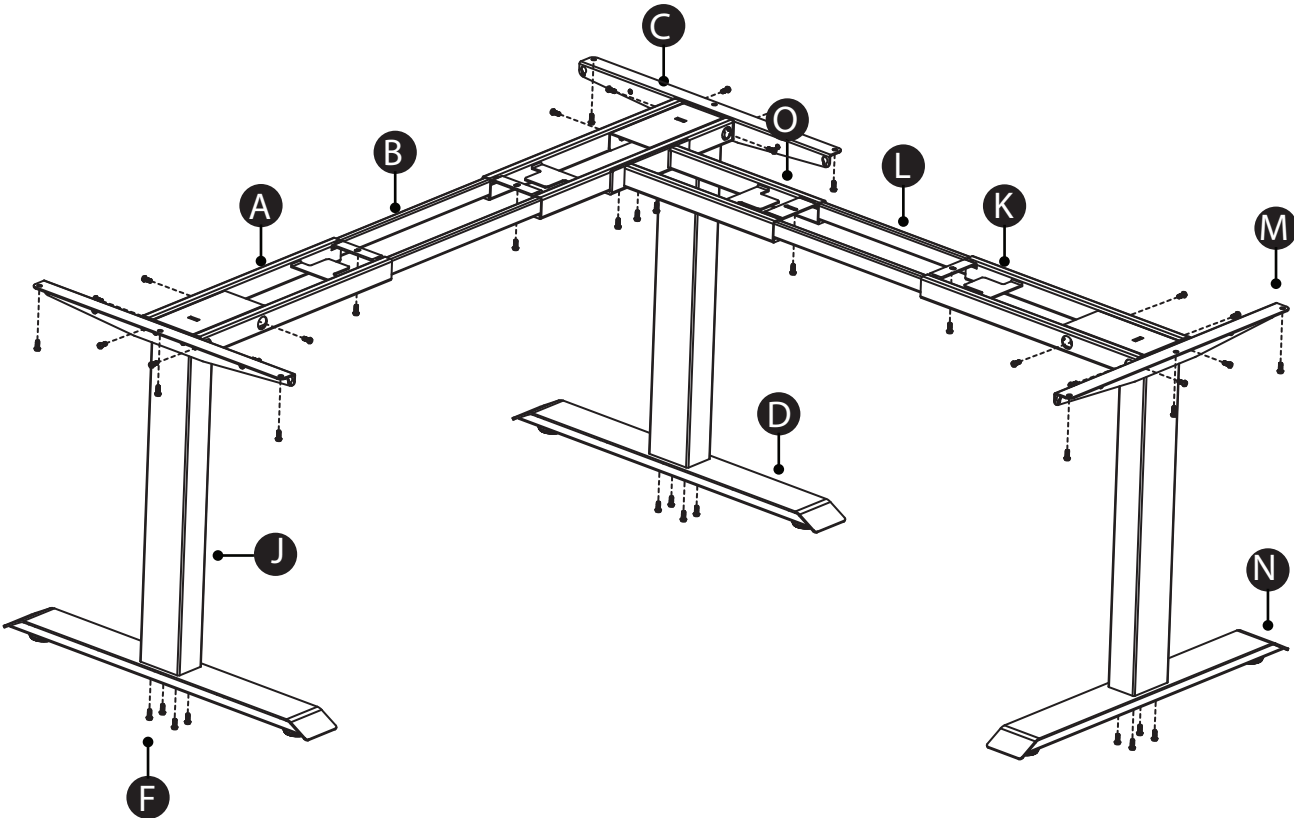
S- LEG

QTY: 1



DESKY

COMPONENTS DIAGRAM



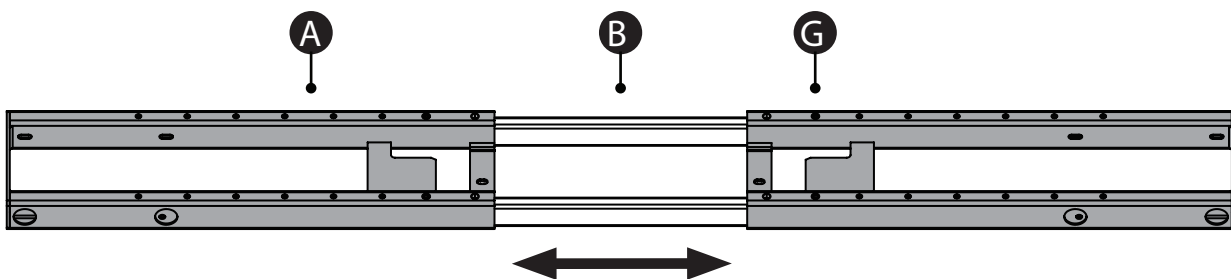
DESKY

ASSEMBLY INSTRUCTIONS

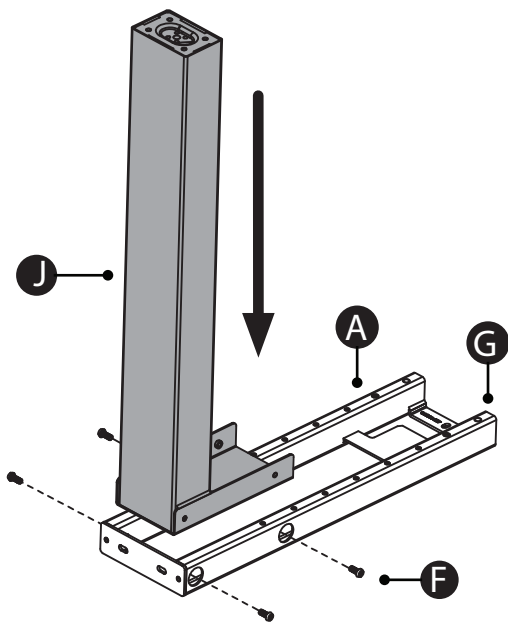
Step 1

Place the two Crossbar Ends (A) upside down so that the eight (8) machine grub screw holes (G) are facing upward as pictured.

The Crossbar Rails (B) are located inside the Crossbar Ends (A) and will need to be removed and set aside for later steps.



Step 2



Place the Crossbar end (A) upside down as pictured and insert the leg (J) so that the four (4) holes in the leg line up with the 4 holes on the crossbar end.

Ensure that the Crossbar end is orientated so that the machine grub screws (G) face upward when inserting the leg.

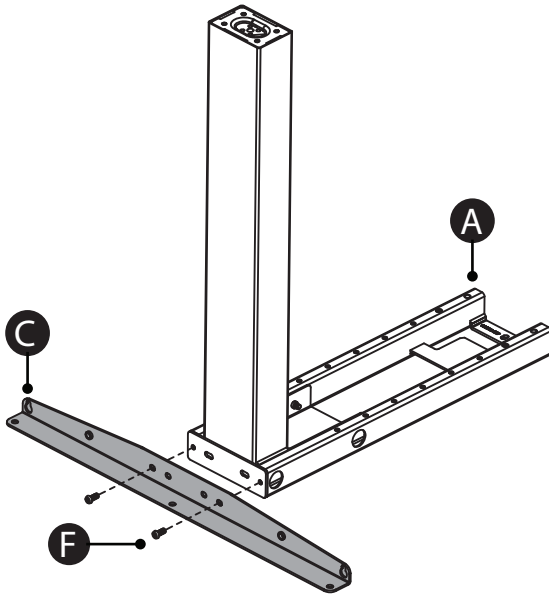
Insert four (4) Machine screws (F) and use the Hex key (E) to scw in a few turns. **Do not tighten completely.**

Repeat this step for the second and third leg. Note that the third leg frame components (box 3) are smaller, keep these together.

DESKY

ASSEMBLY INSTRUCTIONS

Step 3



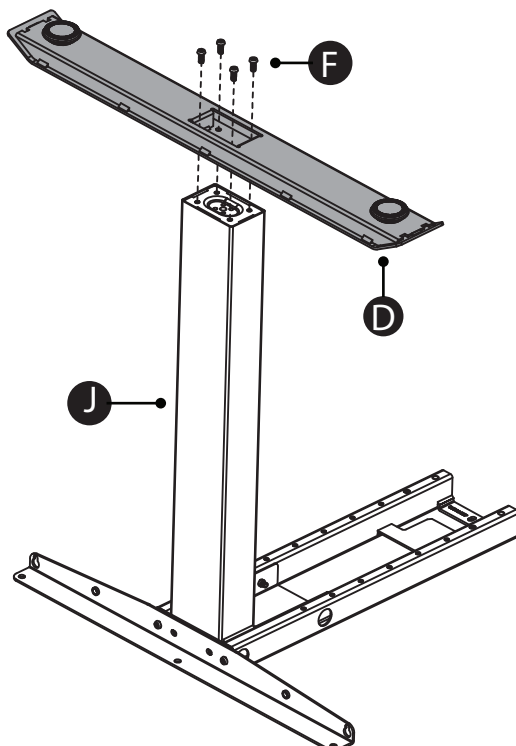
Position the Side bracket (C) against the back of the Crossbar end (A) so that the four (4) holes in the side bracket line up with the holes on the crossbar end.

Insert four (4) Machine screws (F) and use the large Hex key (E) to screw in a few turns. **Do not tighten completely.** Start with the two outside screws first.

Repeat this step for the second and third leg.

Now tighten all the Machine screws (F) from Steps 2 and 3.

Step 4



Place the Foot (D) onto the leg (J) as shown so that the four holes in each line up.

Insert four (4) Machine screws (F) and use the large Hex key (E) to screw in a few turns. Once all four screws have been started, tighten completely.

Repeat this step for the second and third foot.

Round levelling feet/ studs are attached to each foot to assist with levelling the desk.

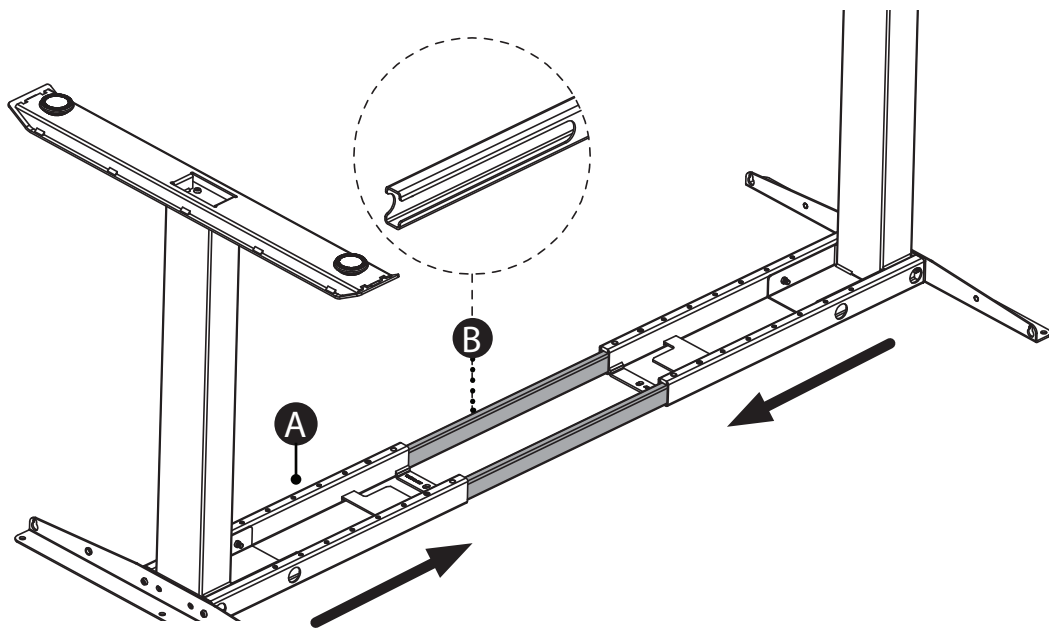
DESKY

ASSEMBLY INSTRUCTIONS

Step 5

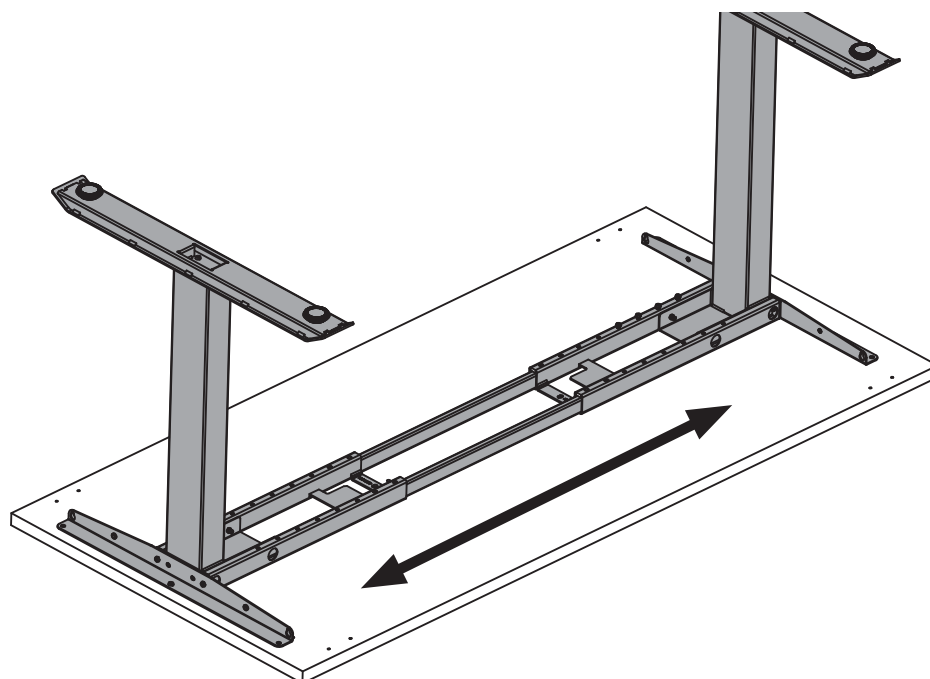
Slide the two Crossbar rails (B) into the two Crossbar ends (A) to connect the frame assembly.

Ensure the crossbar rails are orientated so the rail cut-outs face inward as shown.



Step 6

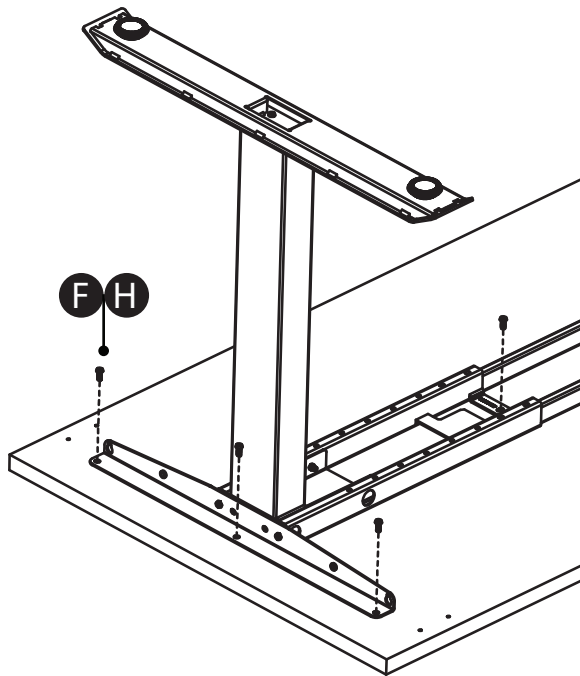
Place your desktop upside down on a non-abrasive surface like a carpet or rug and place the frame on top. Adjust the width of the frame by pulling the two halves apart to line up with the pre-drilled holes or threaded screw inserts in the desktop.



DESKY

ASSEMBLY INSTRUCTIONS

Step 7



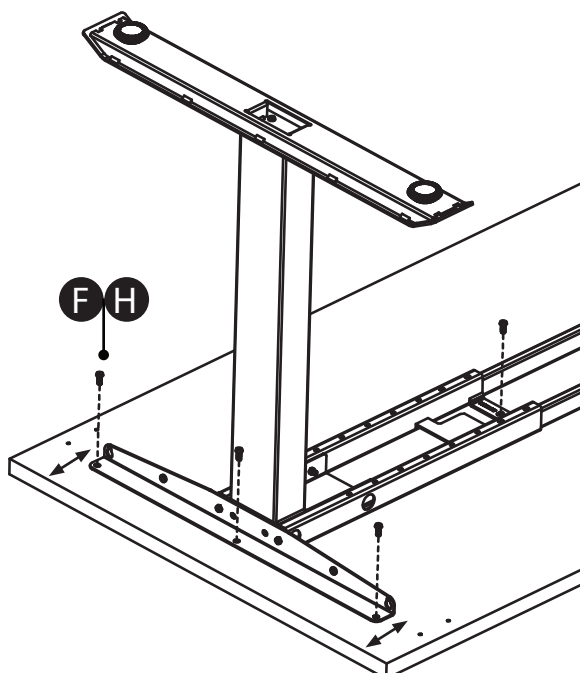
Your desktop will have pre-drilled holes or threaded screw inserts, depending on the desktop you have purchased from us.

Desktops with threaded screw inserts: use eight (8) Machine screws (F) to secure the frame to the desktop.

Desktops with pre-drilled holes: use eight (8) Timber screws (H) to secure the frame to the desktop.

Insert all screws and tighten loosely. Once all eight screws are in, tighten the frame to the desktop completely.

If your desktop does not have threaded screw inserts or pre-drilled holes you will need to pull the frame apart to position each leg assembly close to the edge of the desk. If you have also purchased the Integrated Cable & Power Channel you will need to make sure the frame is not too wide to attach the channel between the Side brackets (C).



To position the frame in this instance we recommend using the guide below to measure the minimum distance between the edge of your desk and screw holes in the side brackets.

1200mm (48") length desktop - 25mm (1")
1500mm (60") length desktop - 50mm (2")
1800mm (72") length desktop - 80mm (3.1")

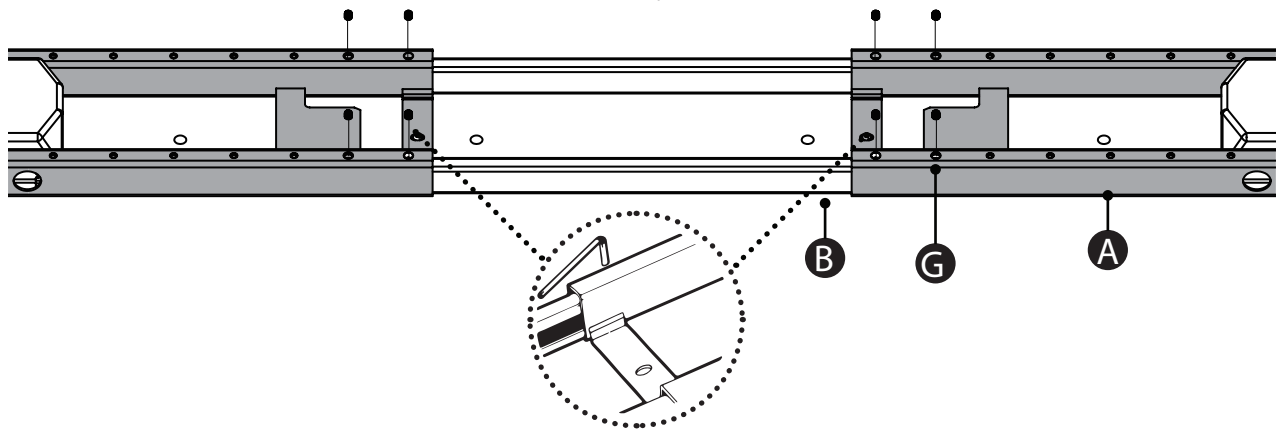
Use eight (8) Timber screws M5 (H) to secure the frame to the desktop.

DESKY

ASSEMBLY INSTRUCTIONS

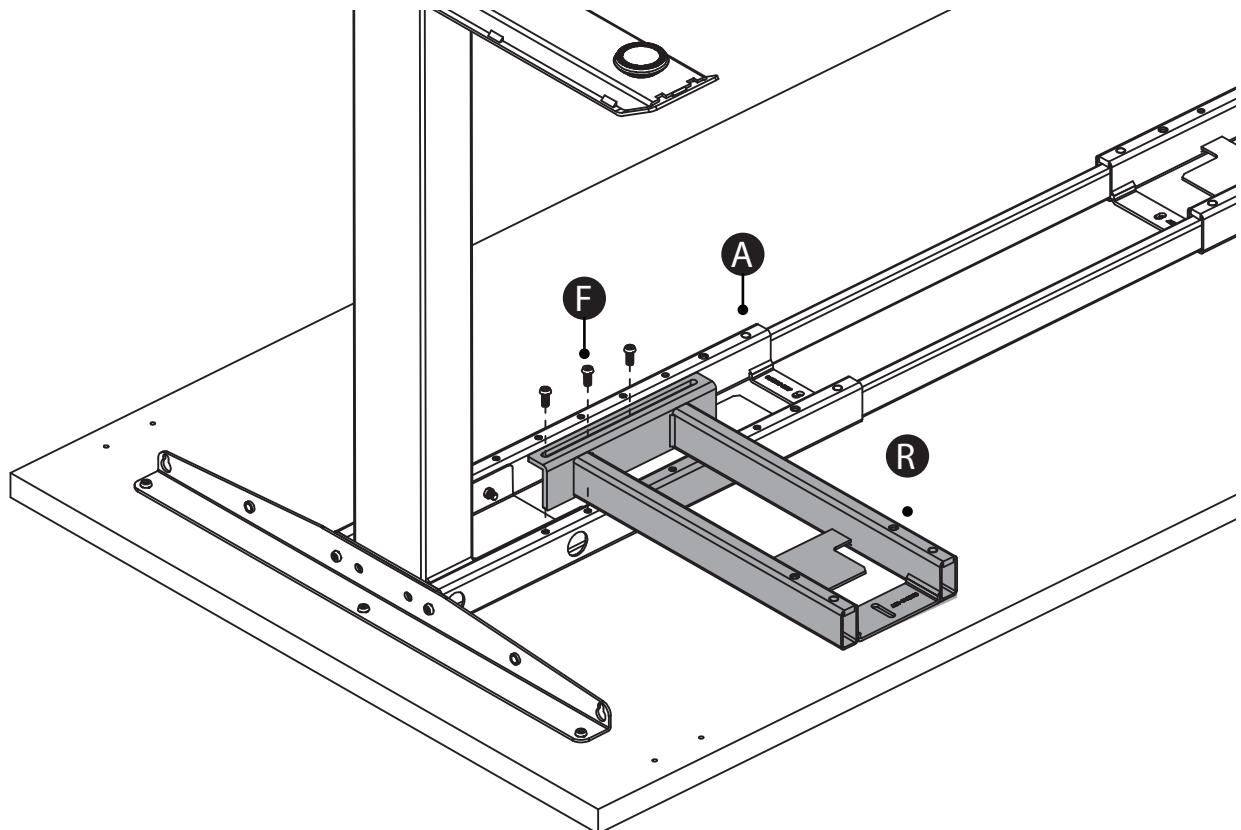
Step 8

Use the Hex key (E) provided to insert and tighten each Grub screw (G) on the Crossbar ends (A) and secure the Crossbar rails (B) in place.



Step 9

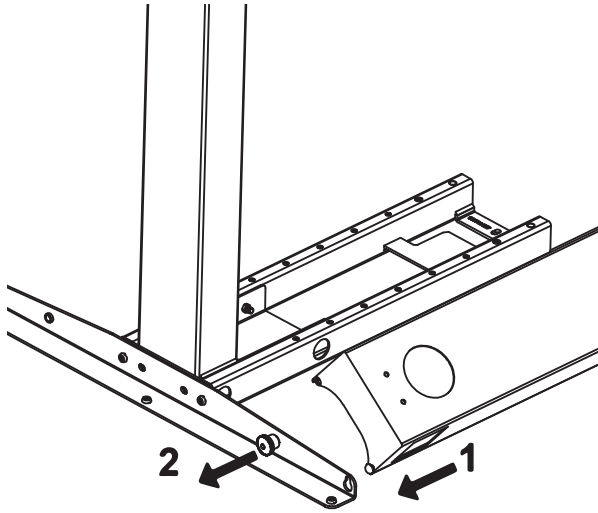
Secure the Connecting Crossbar (R) to your assembled Cross Bar (A) using three machine screws (F). Note keep these machine screws semi loose as you will need to align the crossbar and desktop in the following steps.



DESKY

ASSEMBLY INSTRUCTIONS

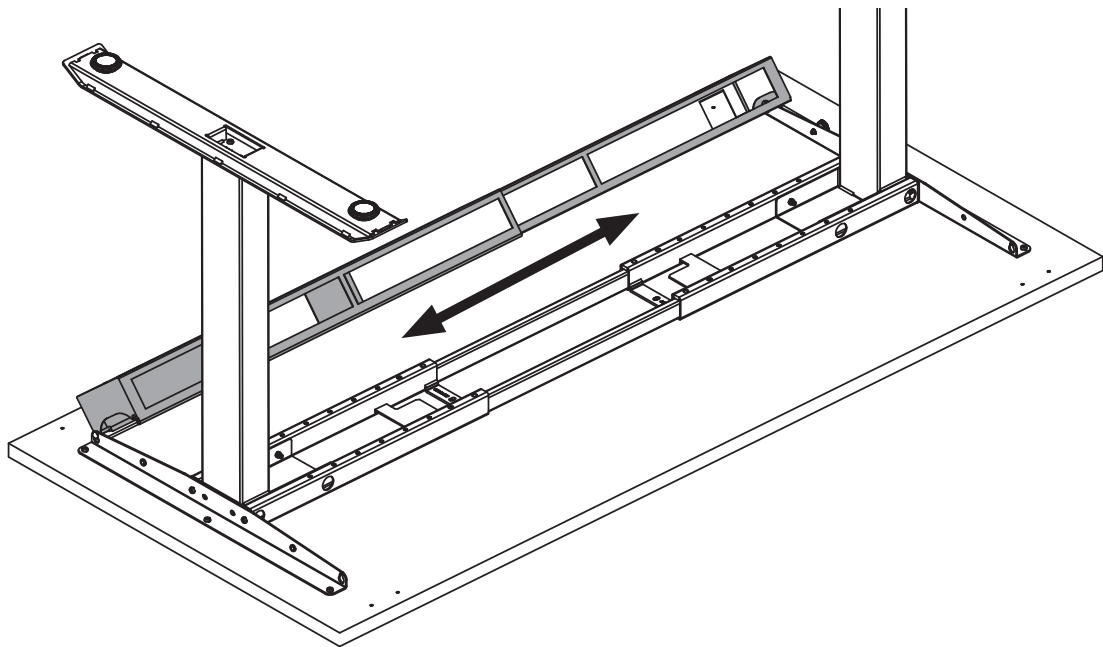
Step 10



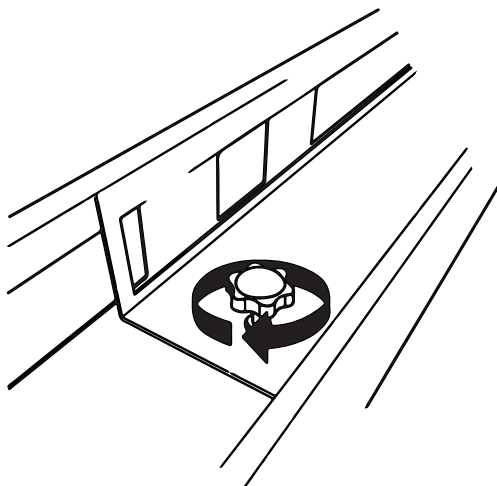
If you have purchased the Integrated Cable & Power Channel, secure one end to the Side bracket (C) as shown and extend the width of the channel to meet the other side bracket.

Make sure the spring release knob is screwed into the side bracket securely.

Attach the other end of the channel to the side bracket in the same manner.



Step 11



Tighten the screw in the centre of the channel to secure the two sides of the channel in place.

Cables and wiring can be placed in the channel.

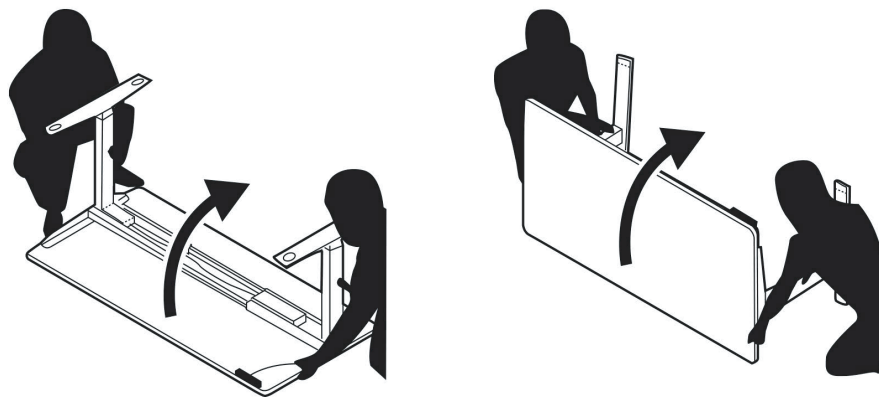
DESKY

ASSEMBLY INSTRUCTIONS

Step 12

Two person lift: with one person on each side of the main desk section, hold the desk top with one hand and the leg with the other. Carefully rotate the desk until the feet on the back side of the desk contact the floor. Ensure the desk is rotated backwards to avoid damage to the front mounted controller.

Rotate the desk again to sit upright on the floor. Use the leveling studs to level the desk. Make sure you position the main section of the corner desk in its allocated spot as moving the fully assembled desk can be difficult.



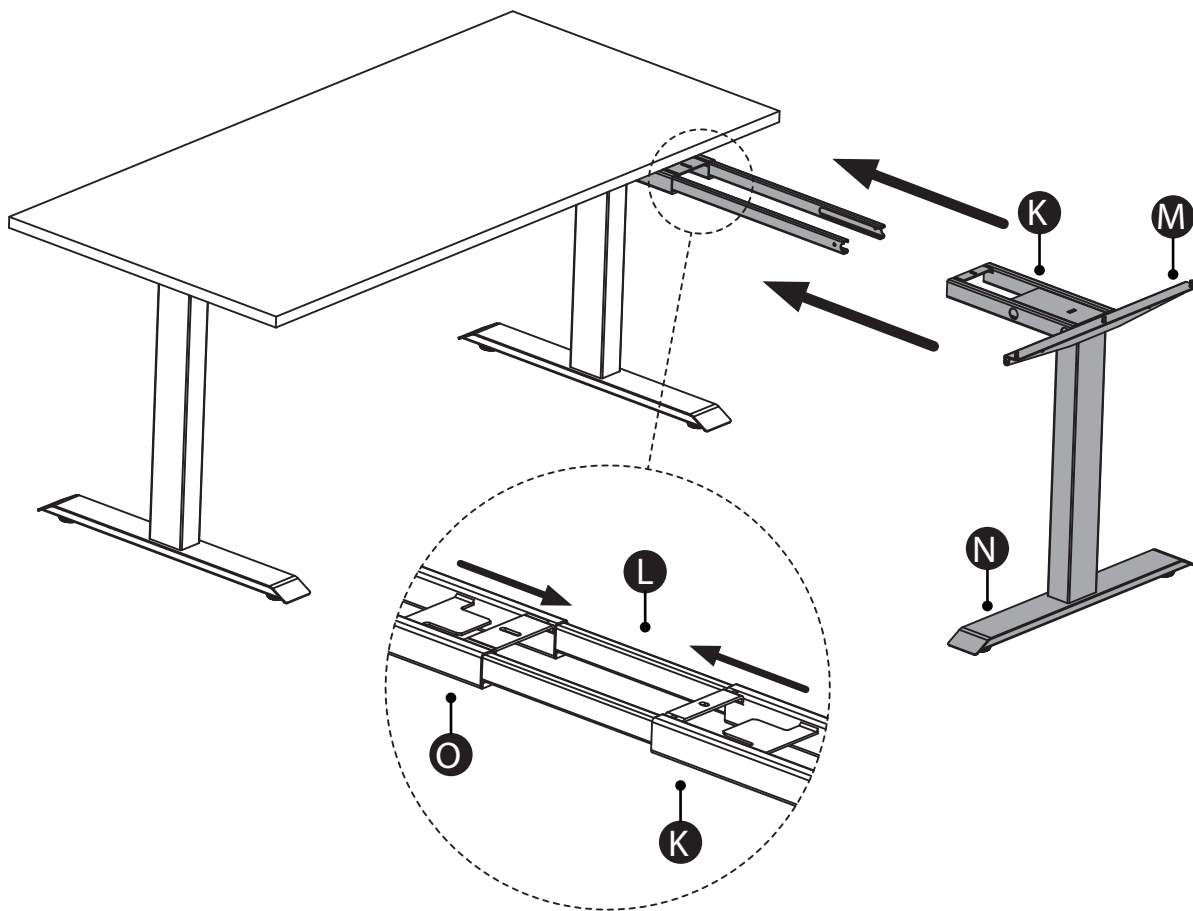
DESKY

ASSEMBLY INSTRUCTIONS

Step 13

After repeating steps 2-4 with the components found in the Third Leg Box (K,M,N,S). Attach the third leg assembly onto the connecting cross bar (O) using the center rails (L).

Leave the third leg assembly section loose on the center rails, do not tighten any screws as you will need to align the desk top before securing the frame.

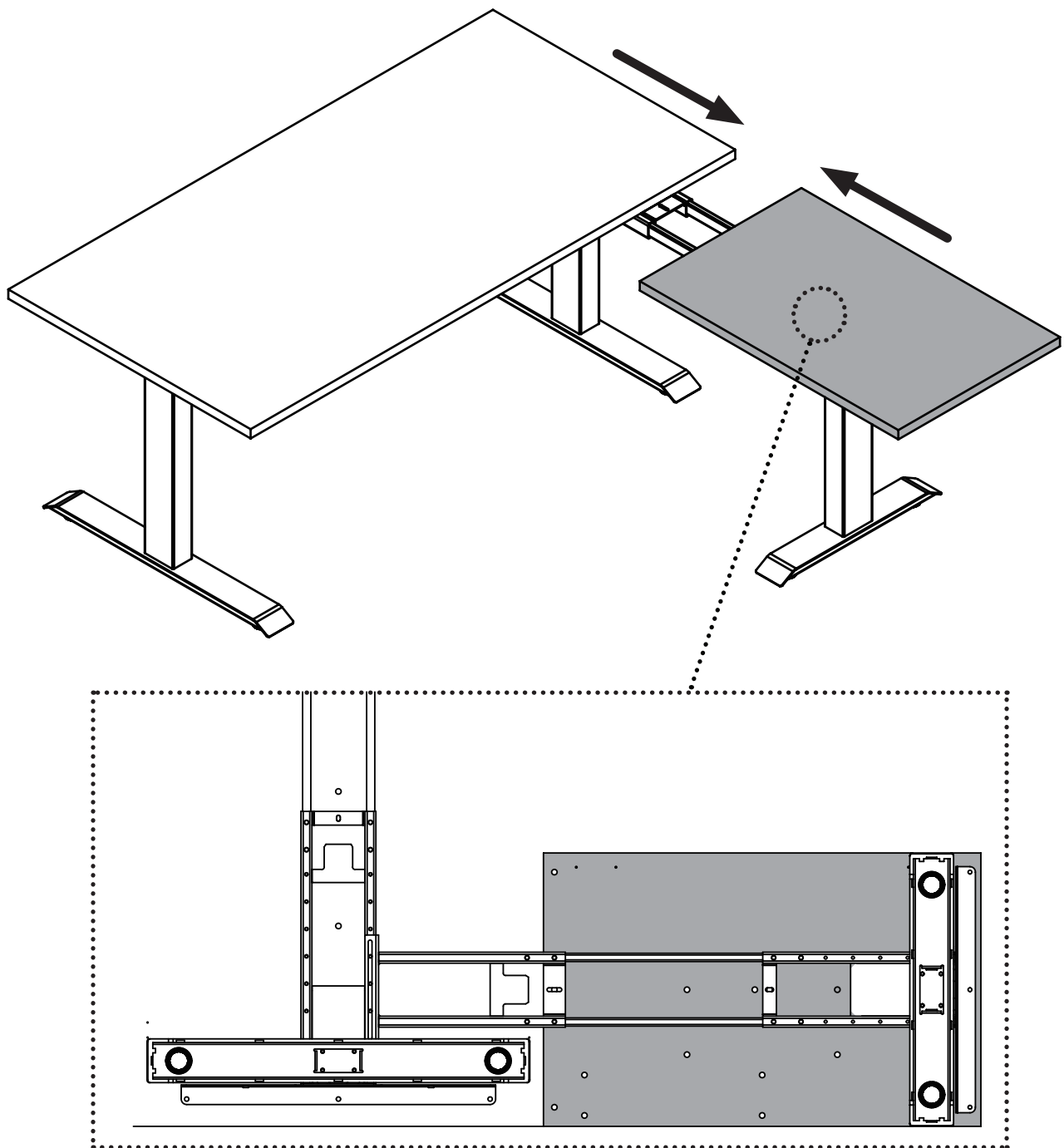


DESKY

ASSEMBLY INSTRUCTIONS

Step 14

Slide the smaller desktop section onto the frame. Align all of the pre-drilled threaded inserts with the holes on the frame.



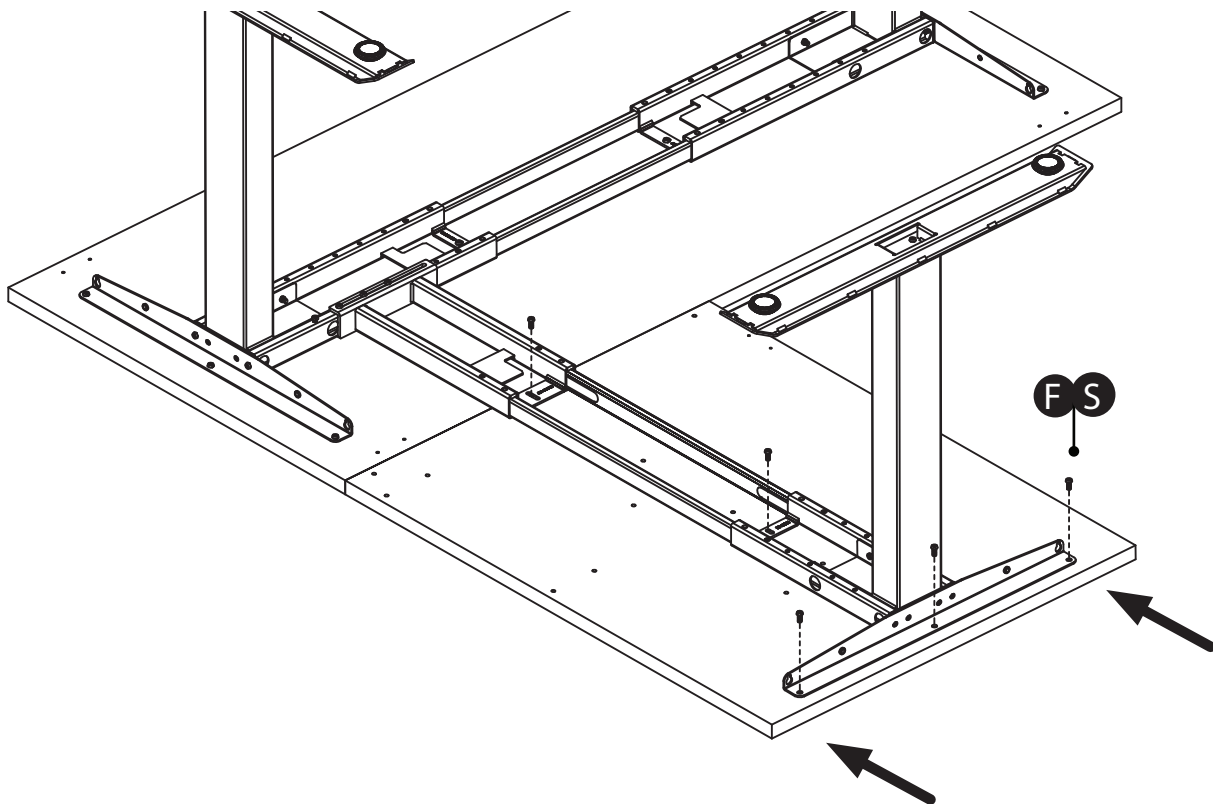
From the underside of the smaller desktop align all of the holes

DESKY

ASSEMBLY INSTRUCTIONS

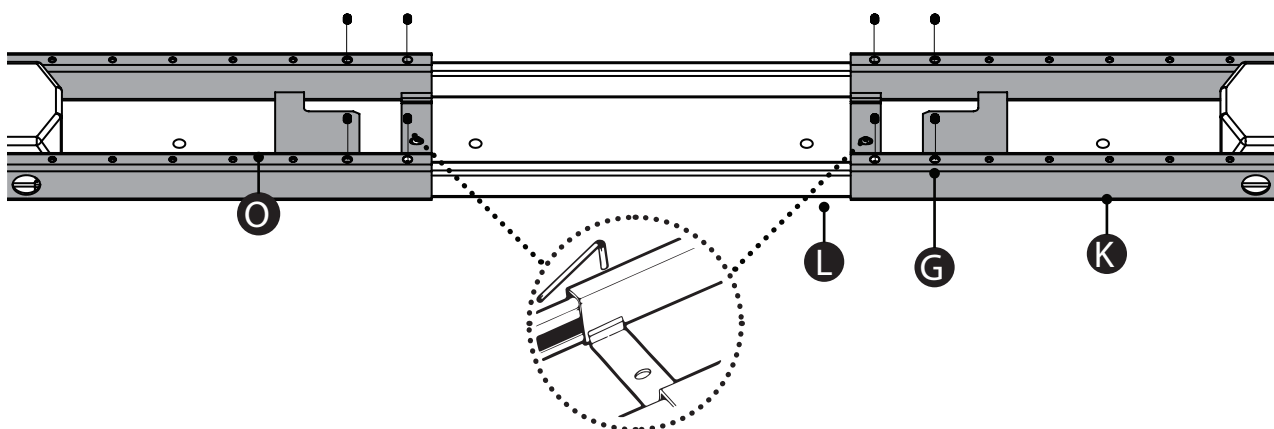
Step 15

Once the third leg assembly is aligned to the holes on the desktop secure the frame using 5 Machine Screws (F/S). If you are using your own desktop you can secure the frame using the provided Timber Screws (H/T).



Step 16

Use the Hex key (E) provided to insert and tighten each Grub screw (G) on the Connecting Crossbar (O) and the Crossbar End (K) locking the Crossbar Rails (L) in place. Make sure to tighten the hex screws securing the Connecting Crossbar (O) to the Cross Bars (A).





DESKY

©2020 DESKY. All Rights Reserved 40035028 A