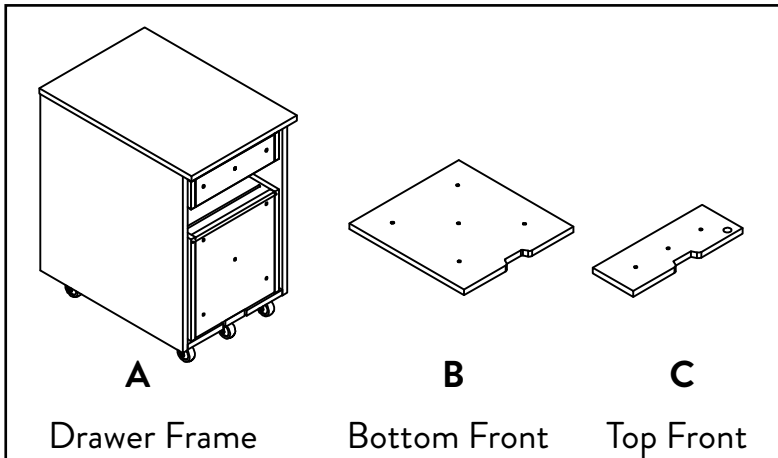


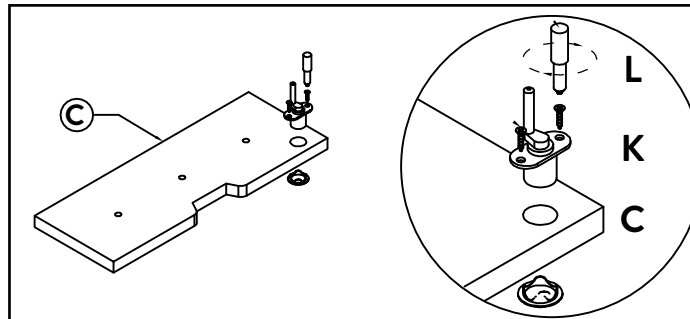
DESKY WOODEN FILLING CABINET

ASSEMBLY INSTRUCTIONS

DESKY

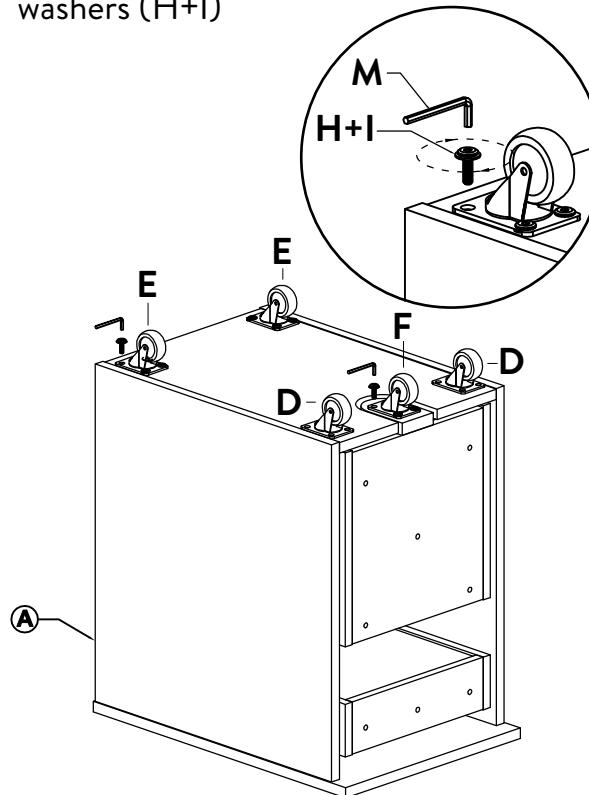


No.	Hardware	Part	QTY
D	Lockable Caster Wheel		2
E	Unlocked Caster Wheel		2
F	Fixed Caster Wheel		1
G	Bolt M6x25		8
H	Bolt M6x15		20
I	Washer		20
J	C-Screw M3.5x15		2
K	Lock With Key		1
L	Phillips Driver		1
M	Hex Key		1



Attach the lock (K) to the top drawer front (C) using a phillips head screw driver or the provided bit (L) and the two wood screws (J)

Attach the varying caster wheels (see below) to the drawer frame using the hex key (M) and the small bolts with washers (H+I)



Secure the wooden drawer fronts (B+C) using the longer bolts (G) and the provided hex key (M). Please note to align the panels you may need to loosen, re tighten and align the bolts to get it perfect

