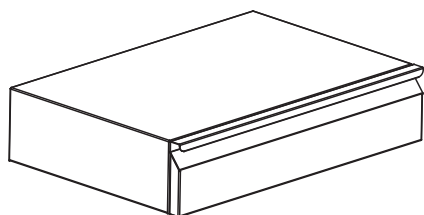
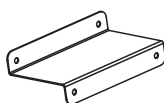


# UNDER DESK DRAWER

## INSTRUCTION MANUAL



A (x1)



B (x2)

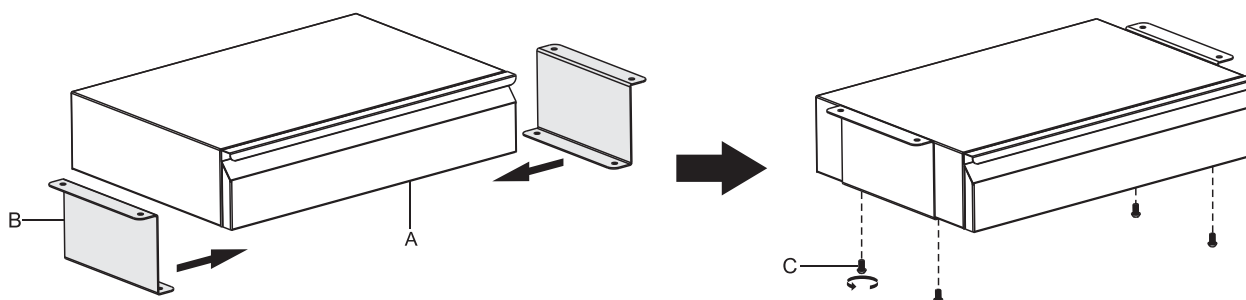


C (x4)

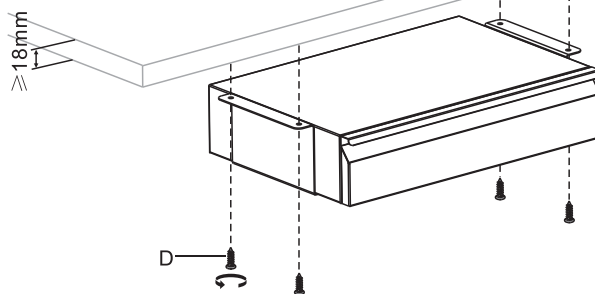
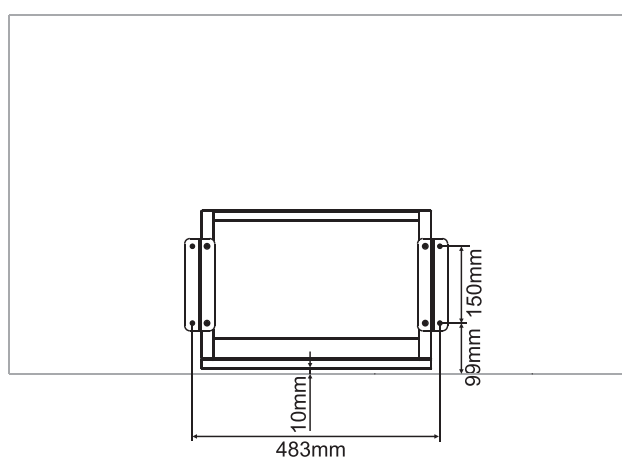


D (x4)

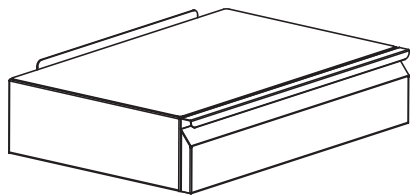
1



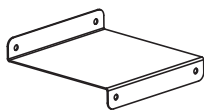
2



# UNDER DESK DRAWER BOOK GAP INSTRUCTION MANUAL



A (x1)



B (x2)

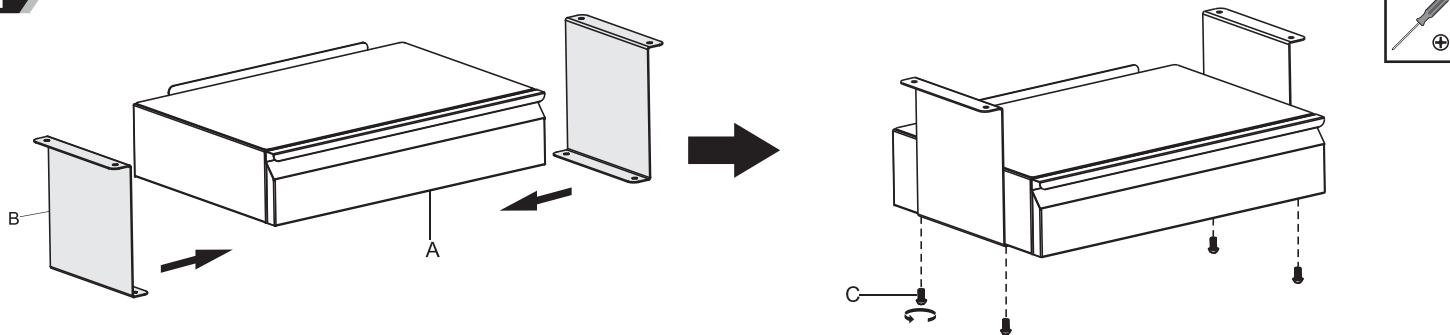


C (x4)



D (x4)

1



2

