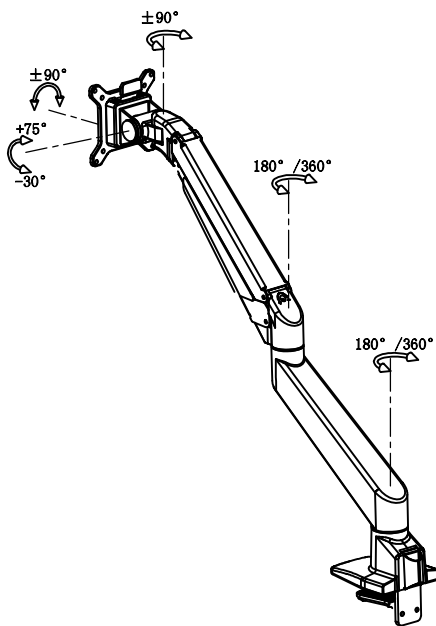
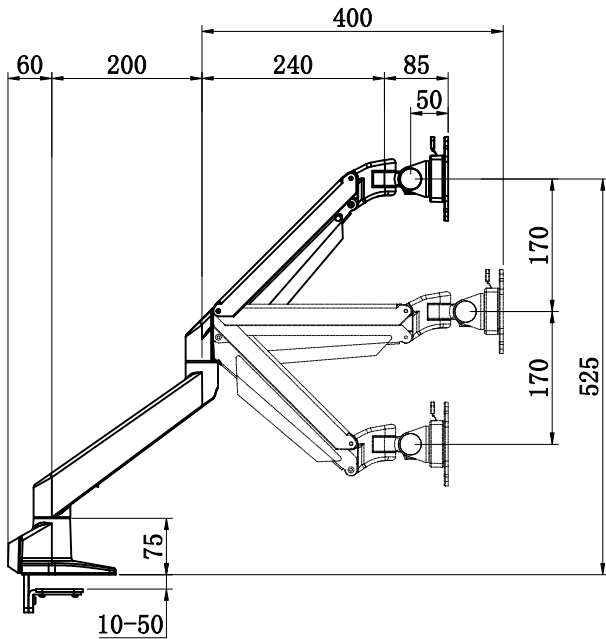


Product Specification

										Desk thickness application (mm)	
LCD Size	Wt.Capacity (kg)	Lift(mm)	Tilt	Swivel	Pivot	VESA	Packing size(mm)	NW(kg)	GW(kg)	Thru desk	desk clamp
≤34"	2-10	340	-30° ~ +75°	±90°	±90°	75*75	Inner:560*235*125 Outside:575*250*395	Inner:3.7	Inner:4.5	10~50	10~50
	8-20					100*100	Inner/Outside: 3/1	Outside:11	Outside:14		

Product Size



Module list

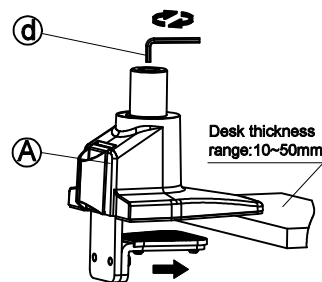
No.	Sketch	Model No.	Quantity
A			1
B			1
C			1
D			1

Part list

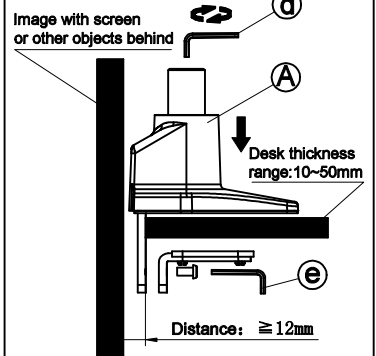
No.	Sketch	Specs	Quantity
a		M4*14	4
b		M8*160	1
c			1
d		M6	1
e		M4	1
f		Φ4×13	1

Installation-Desk clamp

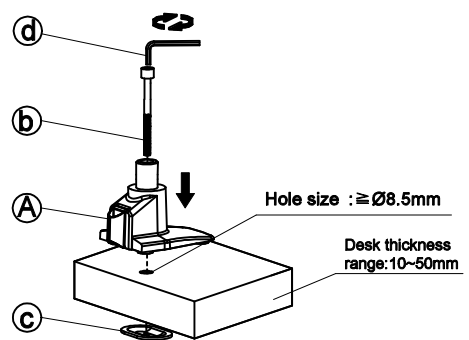
With open space behind



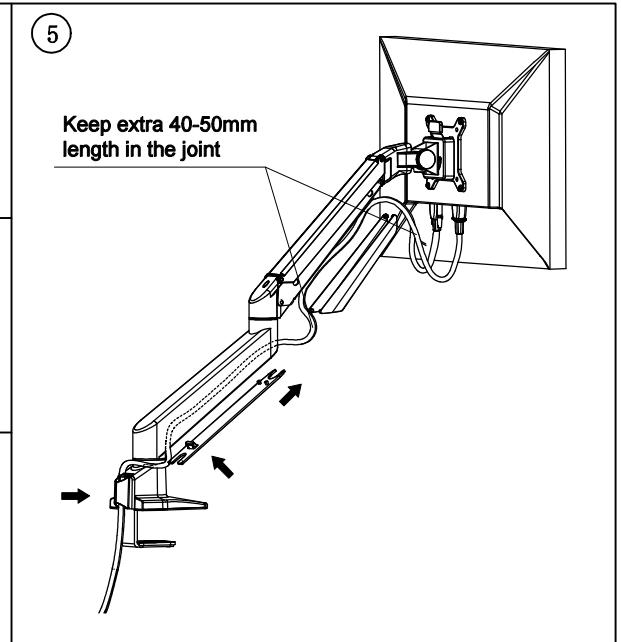
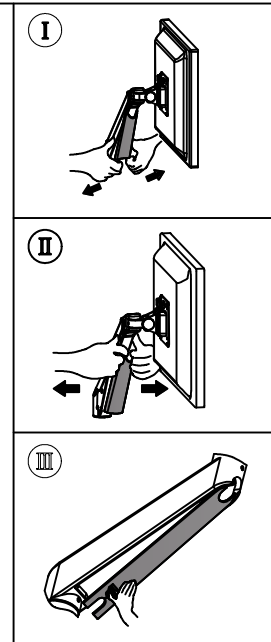
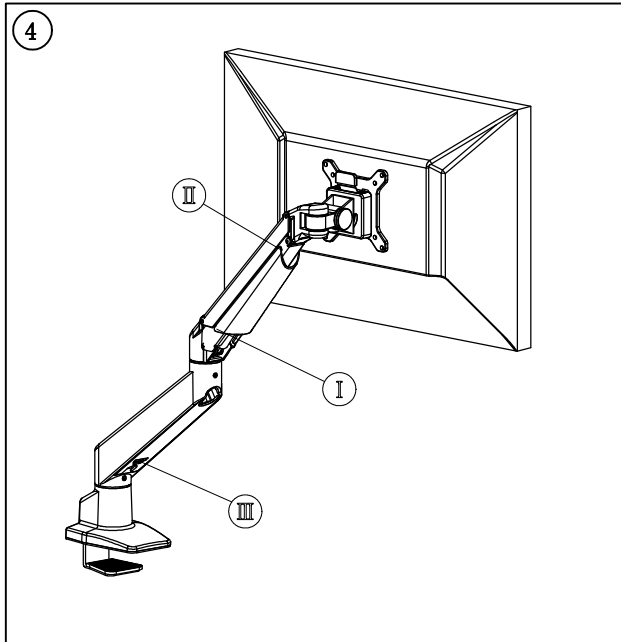
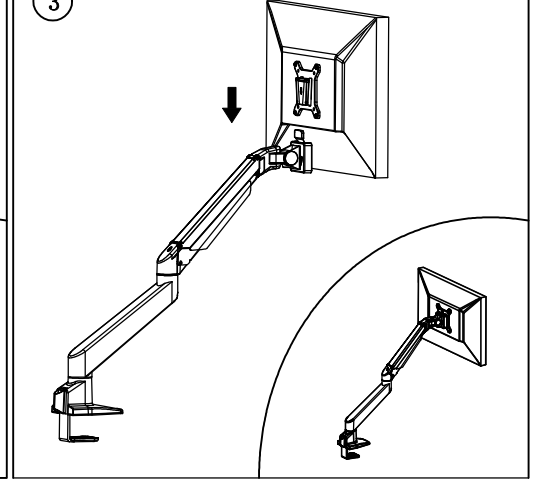
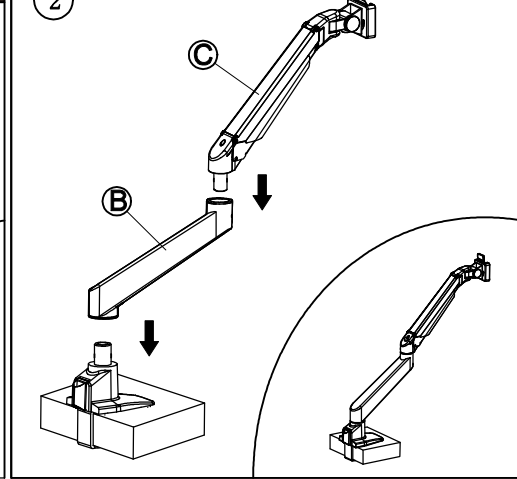
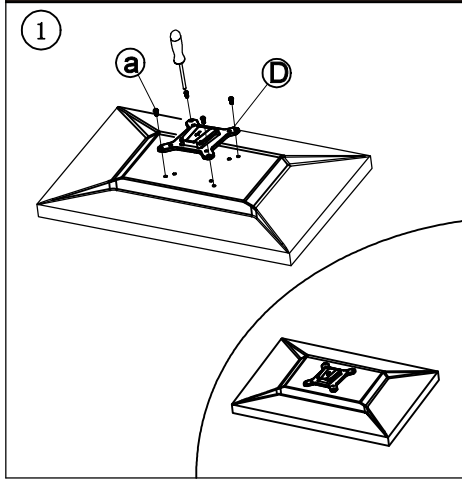
With screen or other objects behind



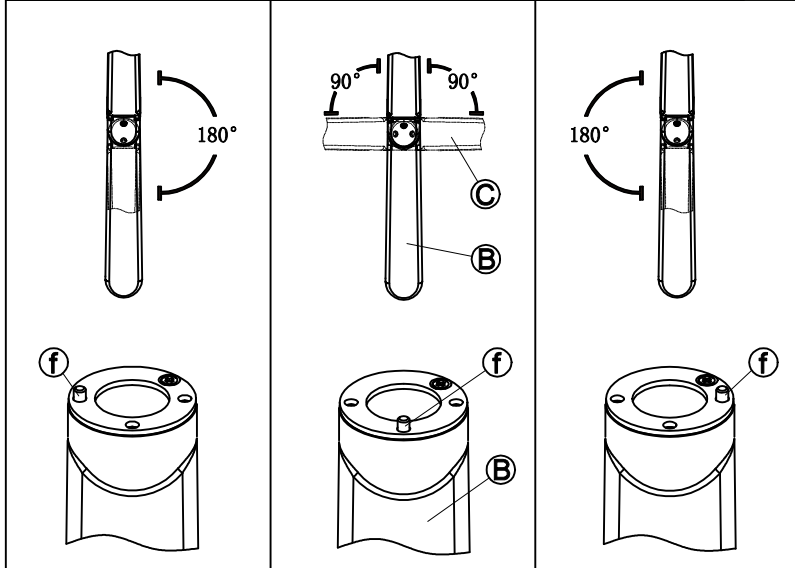
Installation-Thru-desk



Install Procedure



Rotation limit



Adjustment steps

