

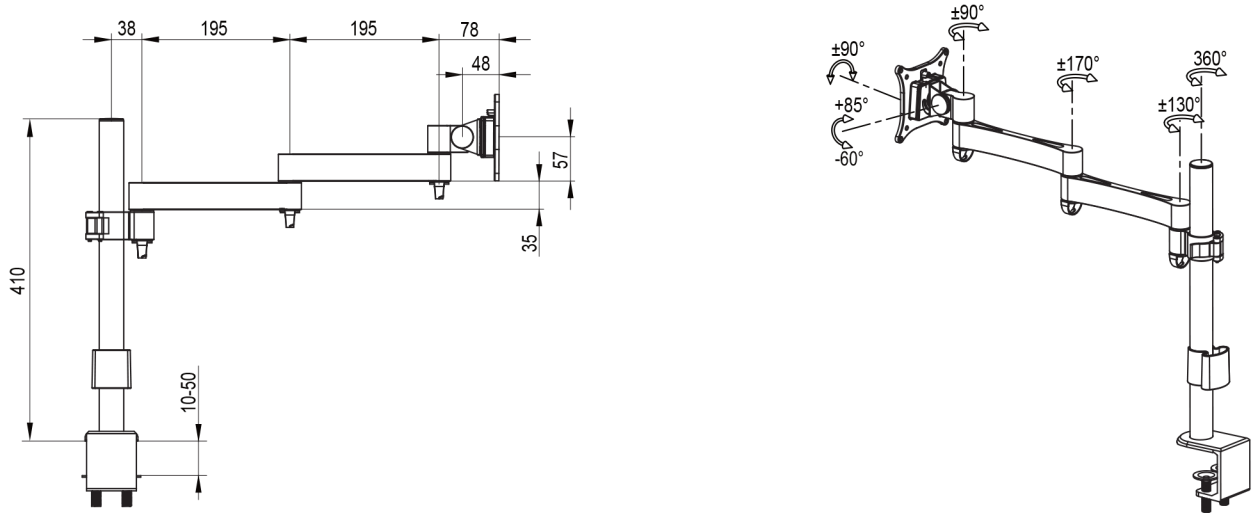
Product name: Full motion desk mount arm

Product Specification

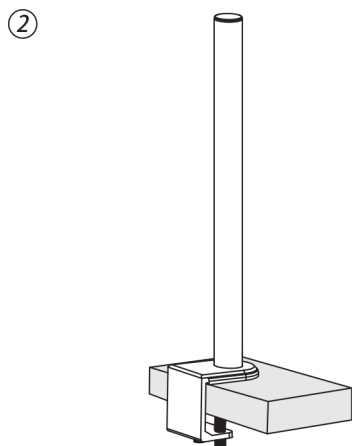
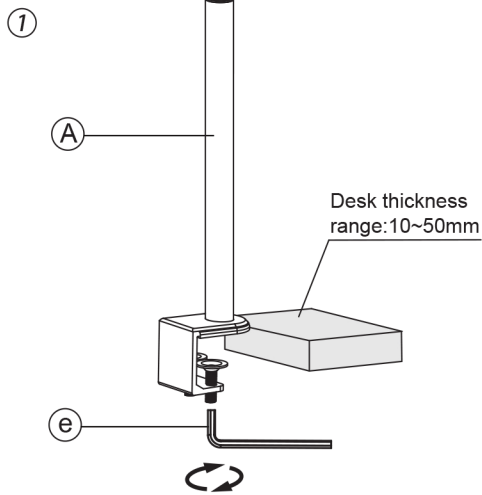
Sketch											
Item	Monitor size	Weight range (kg)	Column height (mm)	Tilt	Swivel	Pivot	VESA	Packing size (mm)	N.W(kg)	G.W(kg)	Clamp size (mm)
Specification	≤30"	≤10	400	+85°~ -60°	±90°	±90°	75*75	Inner: 535*180*140	Inner: 2.5	Inner: 3.2	10~50
							100*100	Outside: 550*430*190	Outside: 7.5	Outside: 10	
								Inner/Outside: 3/1			

Product Size

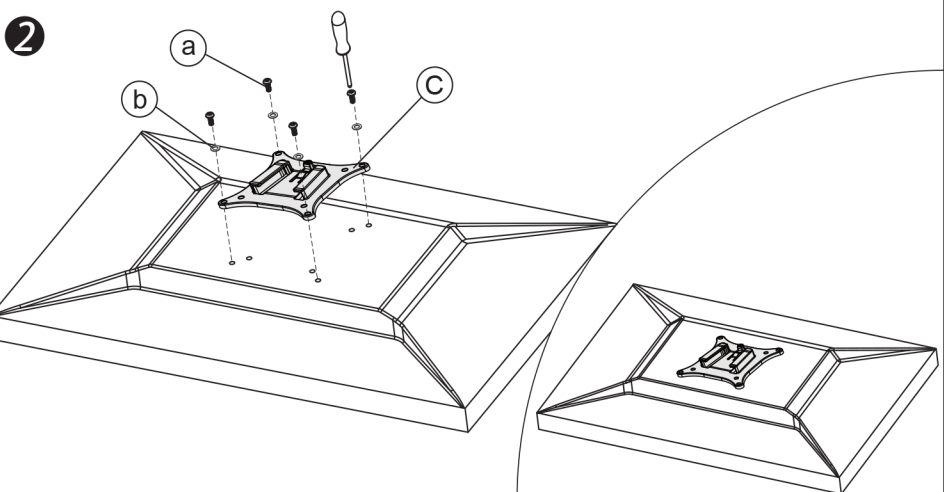
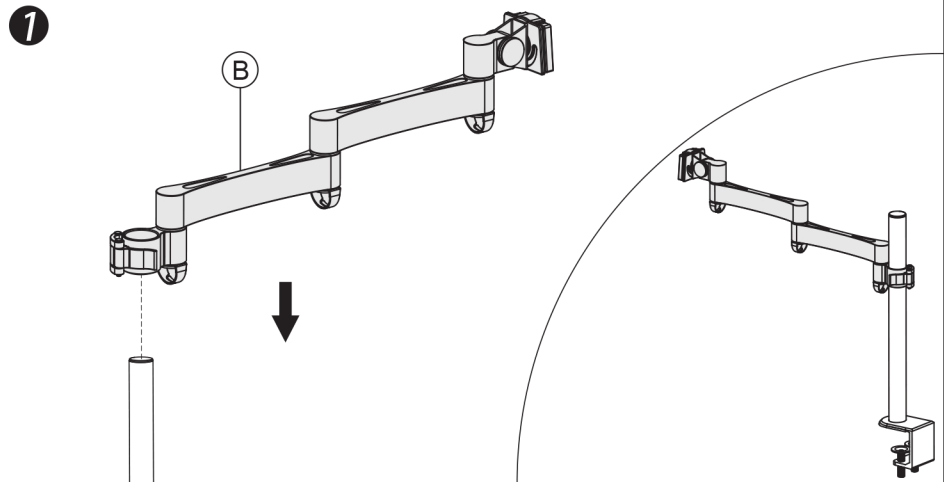
Unit: mm

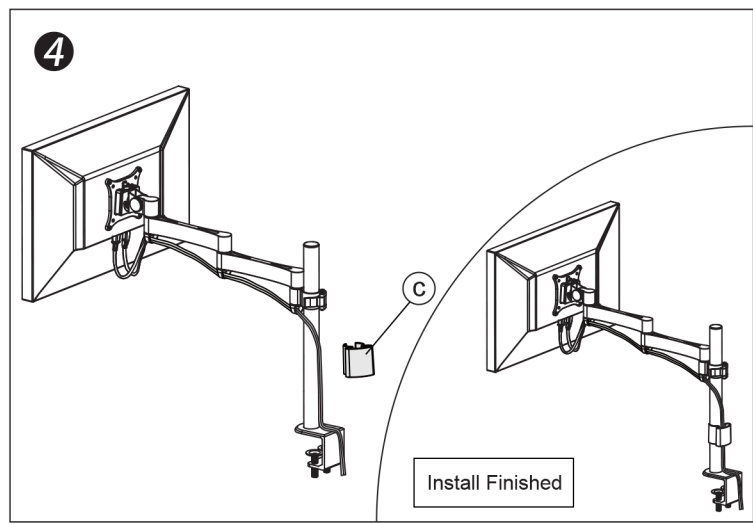
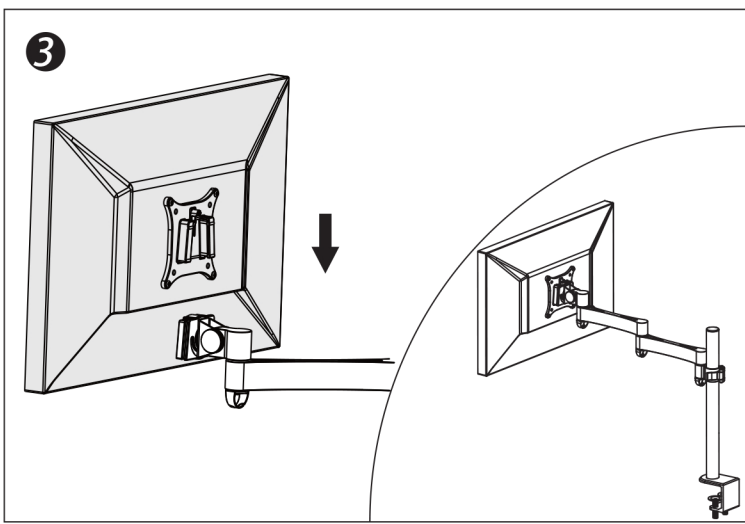


Installation – Desk Clamp

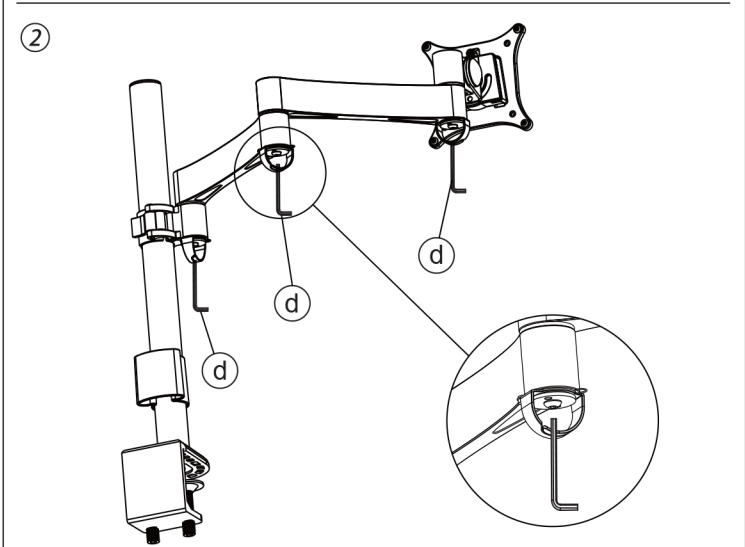
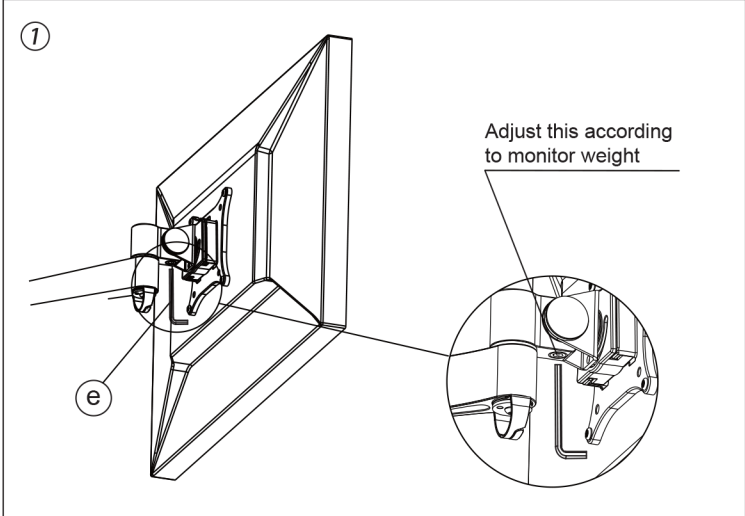


Install Procedure





Adjust Procedure



Module List

No.	Sketch	Specs	Quantity
A			1
B			1
C			1

Part List

No.	Sketch	Specs	Quantity
a		M4x12	4
b			4
c			1
d		M3	1
e		M6	1