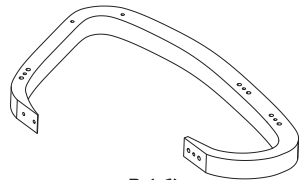
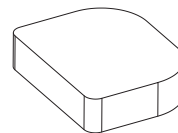


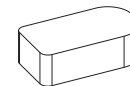
A (x1)



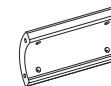
B (x1)



C (x1)



D (x2)



E (x1)



F (x1)



G (x1)



H (x1)



I (x16)
M8x30



J (x10)
M10x13



K (x6)
M6x30



L (x10)
M6x90

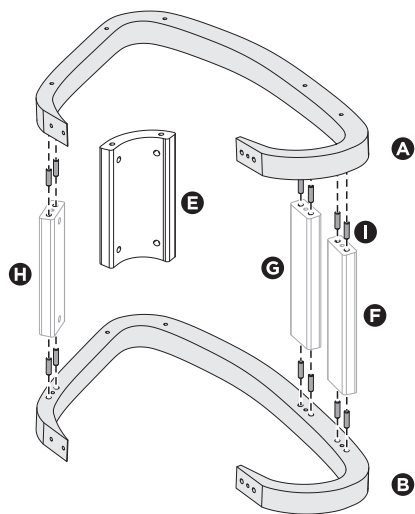


M (x1)
4x60mm

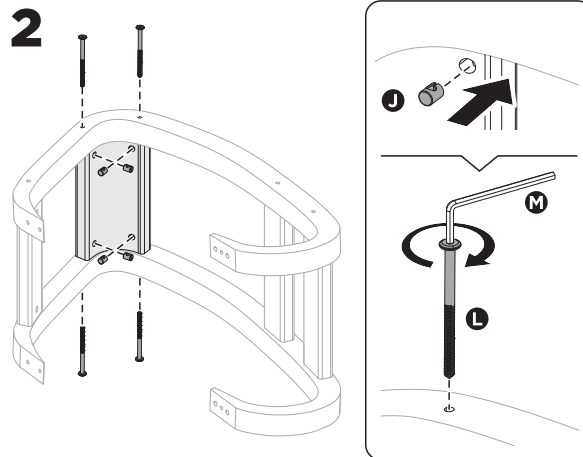


CAUTION: To ensure proper installation, tighten each screw by 80% initially. Once all screws are installed, make sure to re-tighten each of them securely.

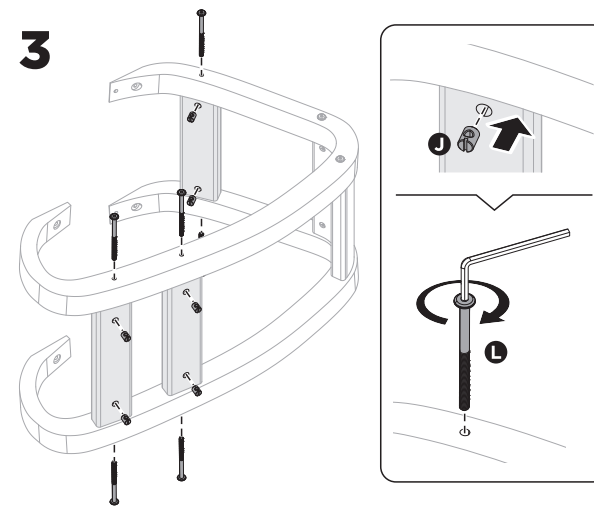
1



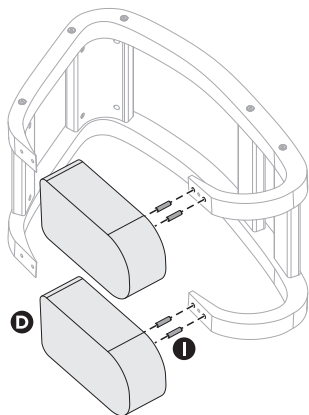
2



3



4



5

