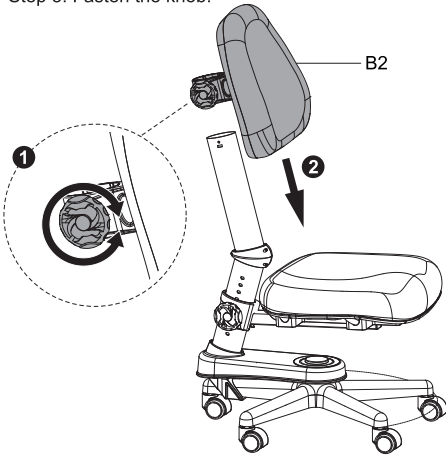
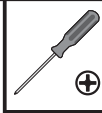
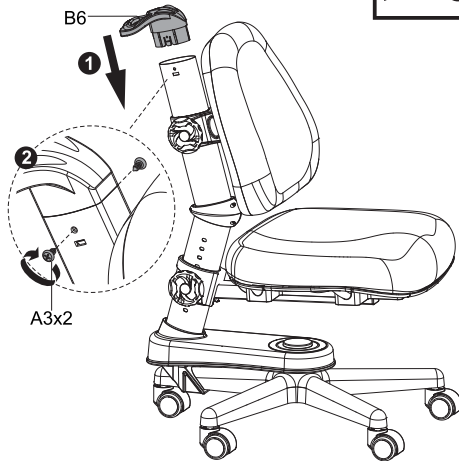


7

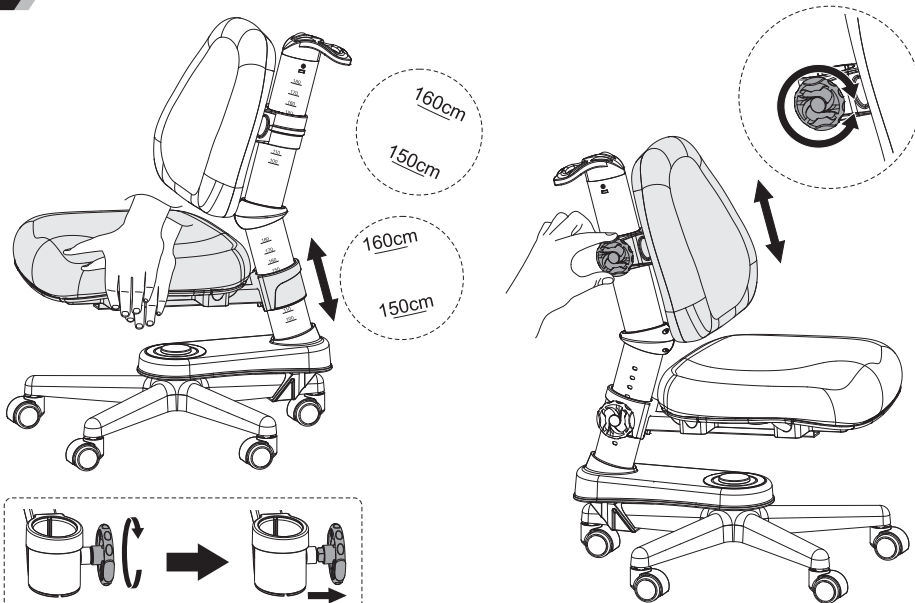
- Step 1: Loosen the knob.
 Step 2: Put B2 into B3 as shown in the picture,
 lower down B2 to the required height.
 Step 3: Fasten the knob.



8



9



How to lift up and lower down the seat:

Step 1: Loosen the knob, then pull the knob outwards, then lift up (or lower down) the seat to the required height as shown in the picture.

Step 2: Release and fasten the knob.

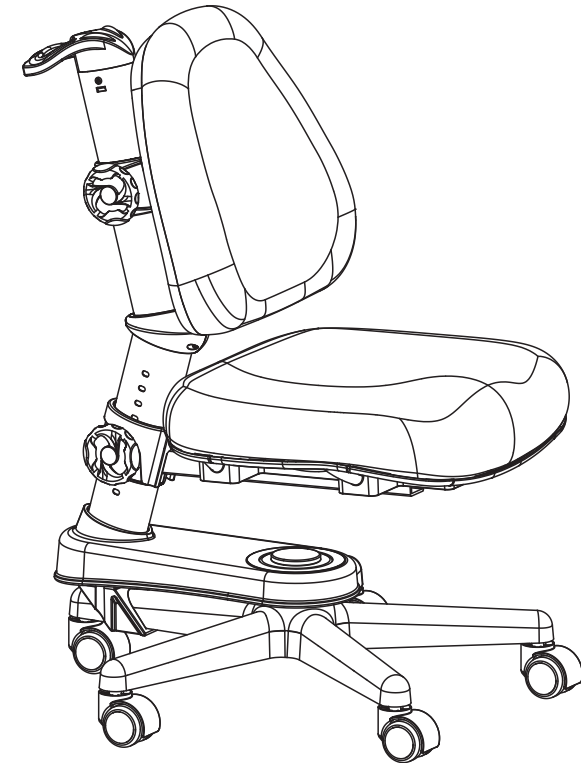
How to lift up and lower down the backrest:

Step 1: Loosen the knob, then lift up (or lower down) the backrest to the required height as shown in the picture.

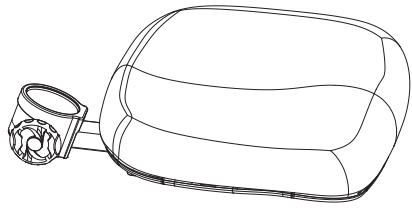
Step 2: Fasten the knob.

DESKY KIDS CHAIR

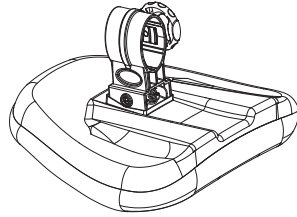
INSTURCTION MANUAL



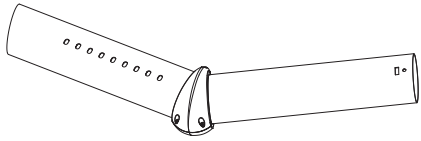
DESKY



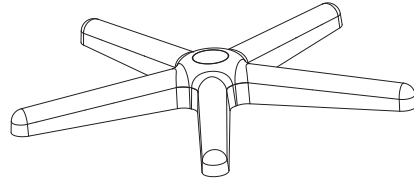
B1



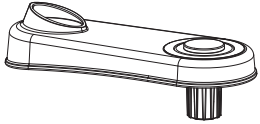
B2



B3



B4



B5



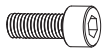
B6



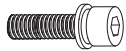
B7



B8x5



A1x2



A2x2



A3x2

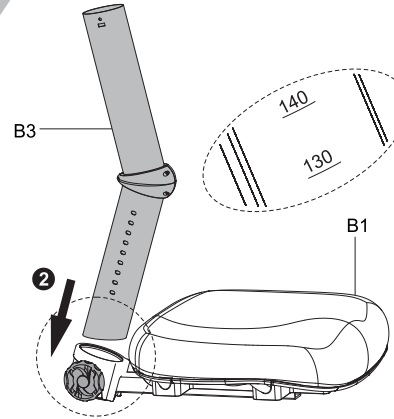


A4x1

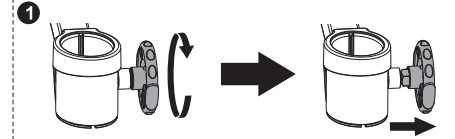
CAUTION!

- Read the entire instruction manual before you start installation and assembly. Improper installation may result in damage or serious personal injury.
- Adult assembly required. Product contains small parts that present choking hazards for children.
- Never fully tighten the screws until all hardware has been assembled and in proper place.
- Never allow corrosives, moisture, or chemicals to make contact with the product as surface damage may occur. Should this happen, clean the surface immediately using a damp cloth.
- The product is intended for indoor use only, using the product outdoors or in an uncontrolled environment may result in product failure.

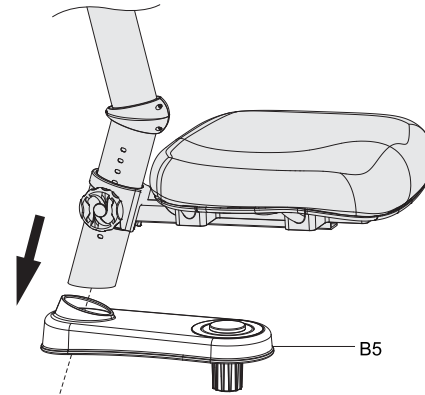
1



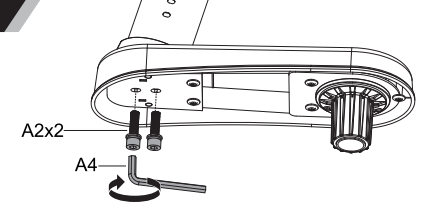
Step 1: Loosen the knob and pull the knob outwards.
 Step 2: Put B3 into B1 as shown in the picture, lower down B3 to the required height hole.
 Step 3: Align with the scale then release the knob and fasten it after you heard a "click".



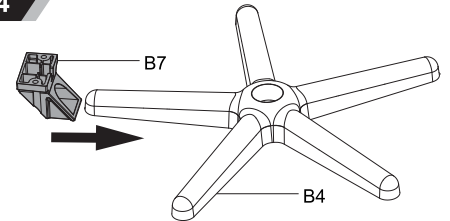
2



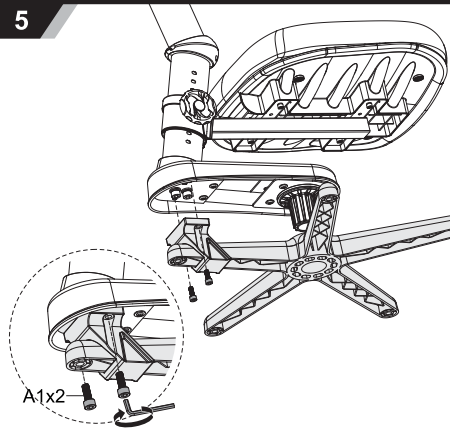
3



4



5



6

