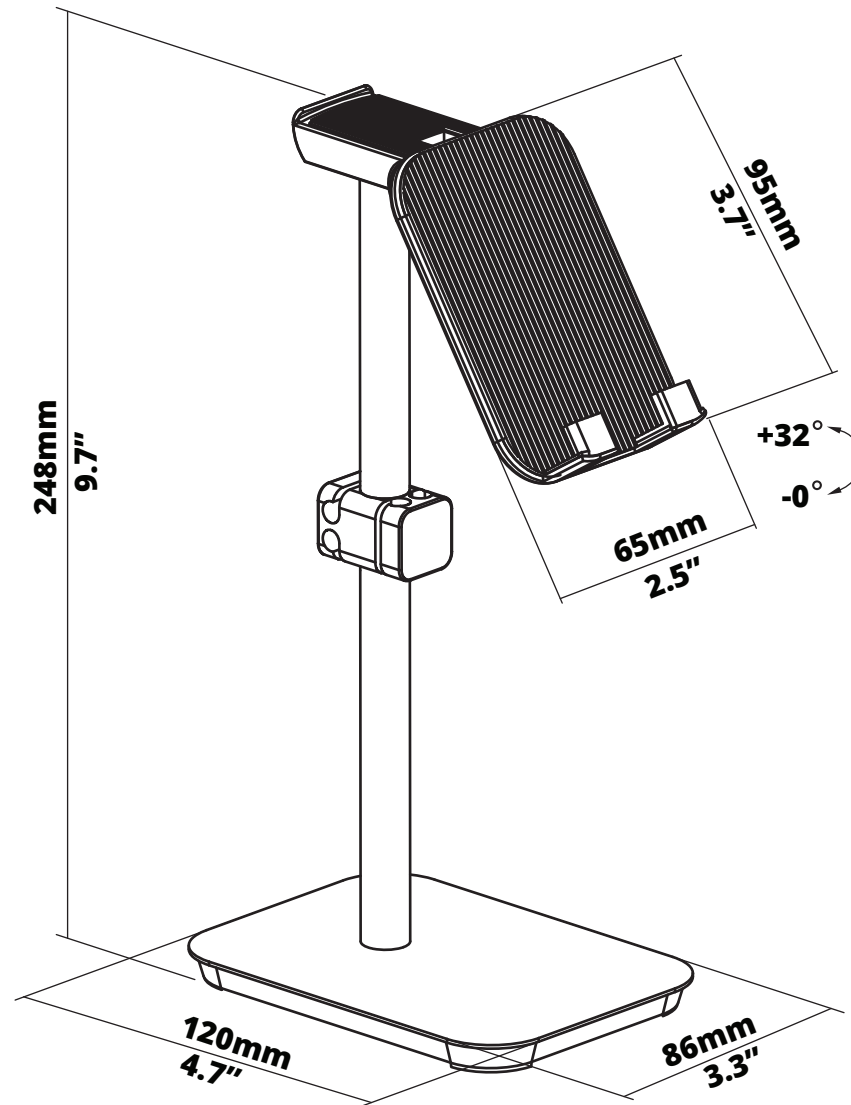


# DESKY

www.desky.ca

## Desky Headphone and Phone Stand Specification Sheet



### Specifications

Material	Aluminium, Silicone, ABS
Surface Finish	Sand-Blasted Aluminium Anodic Oxidation

Net Weight	0.7 lb
Dimensions	4.7" x 3.4" x 8.9"