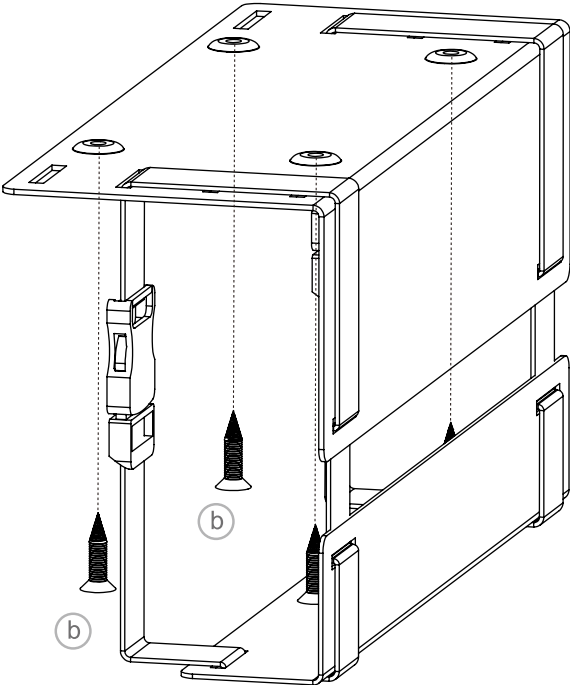


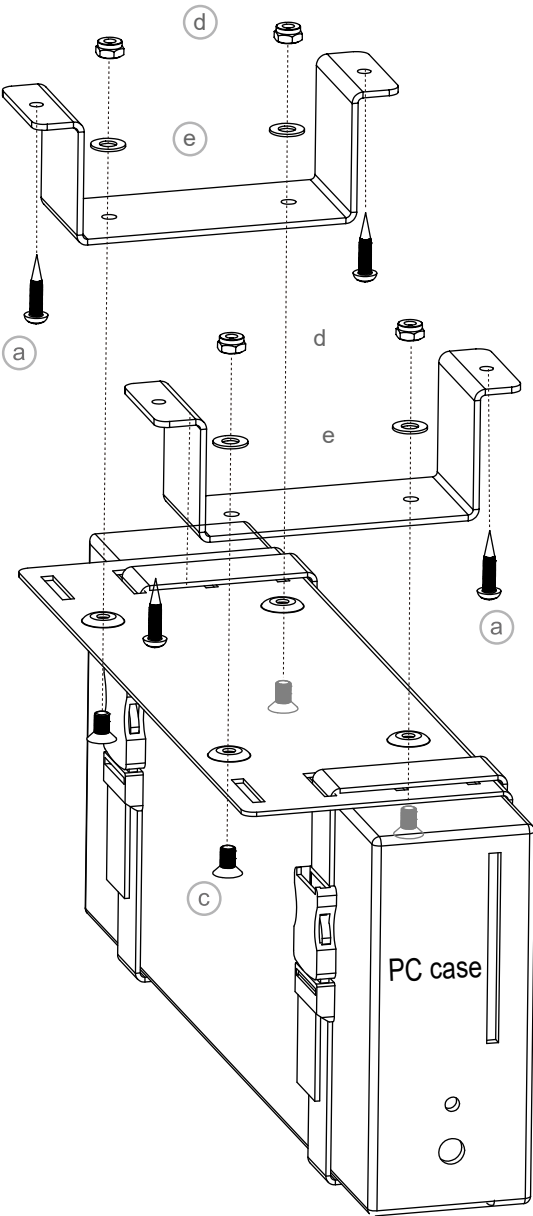
# DESKY FIXED CPU MOUNT

# DESKY

- (a) x4
- (b) x4
- (c) x4
- (d) x4
- (e) x4



Option 1 - to fit top plate direct to desk top



Option 2 - using extension legs to clear desk frame